

# INTERNATIONAL STANDARD

# NORME INTERNATIONALE



**Household and similar electrical appliances – Safety –  
Part 2-39: Particular requirements for commercial electric multi-purpose  
cooking pans**

**Appareils électrodomestiques et analogues – Sécurité –  
Partie 2-39: Exigences particulières pour les sauteuses électriques à usage  
commercial**

IECNORM.COM : Click to view the full PDF of IEC 60335-2-39:2021



## THIS PUBLICATION IS COPYRIGHT PROTECTED

Copyright © 2021 IEC, Geneva, Switzerland

All rights reserved. Unless otherwise specified, no part of this publication may be reproduced or utilized in any form or by any means, electronic or mechanical, including photocopying and microfilm, without permission in writing from either IEC or IEC's member National Committee in the country of the requester. If you have any questions about IEC copyright or have an enquiry about obtaining additional rights to this publication, please contact the address below or your local IEC member National Committee for further information.

Droits de reproduction réservés. Sauf indication contraire, aucune partie de cette publication ne peut être reproduite ni utilisée sous quelque forme que ce soit et par aucun procédé, électronique ou mécanique, y compris la photocopie et les microfilms, sans l'accord écrit de l'IEC ou du Comité national de l'IEC du pays du demandeur. Si vous avez des questions sur le copyright de l'IEC ou si vous désirez obtenir des droits supplémentaires sur cette publication, utilisez les coordonnées ci-après ou contactez le Comité national de l'IEC de votre pays de résidence.

IEC Central Office  
3, rue de Varembe  
CH-1211 Geneva 20  
Switzerland

Tel.: +41 22 919 02 11  
[info@iec.ch](mailto:info@iec.ch)  
[www.iec.ch](http://www.iec.ch)

### About the IEC

The International Electrotechnical Commission (IEC) is the leading global organization that prepares and publishes International Standards for all electrical, electronic and related technologies.

### About IEC publications

The technical content of IEC publications is kept under constant review by the IEC. Please make sure that you have the latest edition, a corrigendum or an amendment might have been published.

#### IEC publications search - [webstore.iec.ch/advsearchform](http://webstore.iec.ch/advsearchform)

The advanced search enables to find IEC publications by a variety of criteria (reference number, text, technical committee, ...). It also gives information on projects, replaced and withdrawn publications.

#### IEC Just Published - [webstore.iec.ch/justpublished](http://webstore.iec.ch/justpublished)

Stay up to date on all new IEC publications. Just Published details all new publications released. Available online and once a month by email.

#### IEC Customer Service Centre - [webstore.iec.ch/csc](http://webstore.iec.ch/csc)

If you wish to give us your feedback on this publication or need further assistance, please contact the Customer Service Centre: [sales@iec.ch](mailto:sales@iec.ch).

#### IEC online collection - [oc.iec.ch](http://oc.iec.ch)

Discover our powerful search engine and read freely all the publications previews. With a subscription you will always have access to up to date content tailored to your needs.

#### Electropedia - [www.electropedia.org](http://www.electropedia.org)

The world's leading online dictionary on electrotechnology, containing more than 22 000 terminological entries in English and French, with equivalent terms in 18 additional languages. Also known as the International Electrotechnical Vocabulary (IEV) online.

### A propos de l'IEC

La Commission Electrotechnique Internationale (IEC) est la première organisation mondiale qui élabore et publie des Normes internationales pour tout ce qui a trait à l'électricité, à l'électronique et aux technologies apparentées.

### A propos des publications IEC

Le contenu technique des publications IEC est constamment revu. Veuillez vous assurer que vous possédez l'édition la plus récente, un corrigendum ou amendement peut avoir été publié.

#### Recherche de publications IEC -

[webstore.iec.ch/advsearchform](http://webstore.iec.ch/advsearchform)

La recherche avancée permet de trouver des publications IEC en utilisant différents critères (numéro de référence, texte, comité d'études, ...). Elle donne aussi des informations sur les projets et les publications remplacées ou retirées.

#### IEC Just Published - [webstore.iec.ch/justpublished](http://webstore.iec.ch/justpublished)

Restez informé sur les nouvelles publications IEC. Just Published détaille les nouvelles publications parues. Disponible en ligne et une fois par mois par email.

#### Service Clients - [webstore.iec.ch/csc](http://webstore.iec.ch/csc)

Si vous désirez nous donner des commentaires sur cette publication ou si vous avez des questions contactez-nous: [sales@iec.ch](mailto:sales@iec.ch).

#### IEC online collection - [oc.iec.ch](http://oc.iec.ch)

Découvrez notre puissant moteur de recherche et consultez gratuitement tous les aperçus des publications. Avec un abonnement, vous aurez toujours accès à un contenu à jour adapté à vos besoins.

#### Electropedia - [www.electropedia.org](http://www.electropedia.org)

Le premier dictionnaire d'électrotechnologie en ligne au monde, avec plus de 22 000 articles terminologiques en anglais et en français, ainsi que les termes équivalents dans 16 langues additionnelles. Egalement appelé Vocabulaire Electrotechnique International (IEV) en ligne.

# INTERNATIONAL STANDARD

# NORME INTERNATIONALE



**Household and similar electrical appliances – Safety –  
Part 2-39: Particular requirements for commercial electric multi-purpose  
cooking pans**

**Appareils électrodomestiques et analogues – Sécurité –  
Partie 2-39: Exigences particulières pour les sauteuses électriques à usage  
commercial**

INTERNATIONAL  
ELECTROTECHNICAL  
COMMISSION

COMMISSION  
ELECTROTECHNIQUE  
INTERNATIONALE

ICS 97.040.50

ISBN 978-2-8322-1045-4

**Warning! Make sure that you obtained this publication from an authorized distributor.  
Attention! Veuillez vous assurer que vous avez obtenu cette publication via un distributeur agréé.**

## CONTENTS

FOREWORD .....	4
INTRODUCTION .....	7
1 Scope .....	8
2 Normative references .....	8
3 Terms and definitions .....	9
4 General requirement .....	10
5 General conditions for the tests .....	10
6 Classification .....	10
7 Marking and instructions .....	11
8 Protection against access to live parts .....	13
9 Starting of motor-operated appliances .....	13
10 Power input and current .....	14
11 Heating .....	14
12 Charging metal-ion batteries .....	16
13 Leakage current and electric strength at operating temperature .....	16
14 Transient overvoltages .....	17
15 Moisture resistance .....	17
16 Leakage current and electric strength .....	18
17 Overload protection of transformers and associated circuits .....	19
18 Endurance .....	19
19 Abnormal operation .....	19
20 Stability and mechanical hazards .....	20
21 Mechanical strength .....	20
22 Construction .....	20
23 Internal wiring .....	22
24 Components .....	23
25 Supply connection and external flexible cords .....	23
26 Terminals for external conductors .....	23
27 Provision for earthing .....	24
28 Screws and connections .....	24
29 Clearances, creepage distances and solid insulation .....	25
30 Resistance to heat and fire .....	25
31 Resistance to rusting .....	25
32 Radiation, toxicity and similar hazards .....	26
Annexes .....	29
Annex B (normative) Battery-operated appliances, separable batteries and detachable batteries for battery-operated appliances .....	30
Annex P (informative) Guidance for the application of this standard to appliances used in tropical climates .....	31
Bibliography .....	32
Figure 101 – Probe for measuring surface temperatures .....	26

Figure 102 – Identification of surfaces for temperature measurement ..... 27

Figure 103 – Splash apparatus ..... 28

Table 101 – Maximum temperature rises for specified external accessible surfaces  
under normal operating conditions ..... 16

Table 102 – Assembling torques for screwed connections providing earthing continuity ..... 25

IECNORM.COM : Click to view the full PDF of IEC 60335-2-39:2021

# INTERNATIONAL ELECTROTECHNICAL COMMISSION

## HOUSEHOLD AND SIMILAR ELECTRICAL APPLIANCES – SAFETY –

### Part 2-39: Particular requirements for commercial electric multi-purpose cooking pans

#### FOREWORD

- 1) The International Electrotechnical Commission (IEC) is a worldwide organization for standardization comprising all national electrotechnical committees (IEC National Committees). The object of IEC is to promote international co-operation on all questions concerning standardization in the electrical and electronic fields. To this end and in addition to other activities, IEC publishes International Standards, Technical Specifications, Technical Reports, Publicly Available Specifications (PAS) and Guides (hereafter referred to as "IEC Publication(s)"). Their preparation is entrusted to technical committees; any IEC National Committee interested in the subject dealt with may participate in this preparatory work. International, governmental and non-governmental organizations liaising with the IEC also participate in this preparation. IEC collaborates closely with the International Organization for Standardization (ISO) in accordance with conditions determined by agreement between the two organizations.
- 2) The formal decisions or agreements of IEC on technical matters express, as nearly as possible, an international consensus of opinion on the relevant subjects since each technical committee has representation from all interested IEC National Committees.
- 3) IEC Publications have the form of recommendations for international use and are accepted by IEC National Committees in that sense. While all reasonable efforts are made to ensure that the technical content of IEC Publications is accurate, IEC cannot be held responsible for the way in which they are used or for any misinterpretation by any end user.
- 4) In order to promote international uniformity, IEC National Committees undertake to apply IEC Publications transparently to the maximum extent possible in their national and regional publications. Any divergence between any IEC Publication and the corresponding national or regional publication shall be clearly indicated in the latter.
- 5) IEC itself does not provide any attestation of conformity. Independent certification bodies provide conformity assessment services and, in some areas, access to IEC marks of conformity. IEC is not responsible for any services carried out by independent certification bodies.
- 6) All users should ensure that they have the latest edition of this publication.
- 7) No liability shall attach to IEC or its directors, employees, servants or agents including individual experts and members of its technical committees and IEC National Committees for any personal injury, property damage or other damage of any nature whatsoever, whether direct or indirect, or for costs (including legal fees) and expenses arising out of the publication, use of, or reliance upon, this IEC Publication or any other IEC Publications.
- 8) Attention is drawn to the Normative references cited in this publication. Use of the referenced publications is indispensable for the correct application of this publication.
- 9) Attention is drawn to the possibility that some of the elements of this IEC Publication may be the subject of patent rights. IEC shall not be held responsible for identifying any or all such patent rights.

IEC 60335-2-39 has been prepared by IEC technical committee 61: Safety of household and similar electrical appliances. It is an International Standard.

This seventh edition cancels and replaces the sixth edition published in 2012 and Amendment 1:2017. This edition constitutes a technical revision.

This edition includes the following significant technical changes with respect to the previous edition:

- a) the text has been aligned with IEC 60335-1:2020;
- b) some notes have been converted to normative text or modified (Clause 1, 15.1, 15.102, 16.2, 19.101, 27.2);
- c) exclusion of battery-operated appliances and appliances used in areas open to the public (Clause 1);
- d) relocation of cleaning instructions from 7.12.1 to 7.12;

- e) relocation of 24.101 to 22.115;
- f) conciliation of the text of IEC 60335-2-39 with other standards under IEC/TC61/MT32;
- g) clarifications and modifications to some test specifications have been made (9.101, 11.4, 15.1.1, 15.102, 20.1, 25.3).

The text of this International Standard is based on the following documents:

Draft	Report on voting
61/6374/FDIS	61/6424/RVD

Full information on the voting for its approval can be found in the report on voting indicated in the above table.

The language used for the development of this International Standard is English.

This document was drafted in accordance with ISO/IEC Directives, Part 2, and developed in accordance with ISO/IEC Directives, Part 1 and ISO/IEC Directives, IEC Supplement, available at [www.iec.ch/members\\_experts/refdocs](http://www.iec.ch/members_experts/refdocs). The main document types developed by IEC are described in greater detail at [www.iec.ch/standardsdev/publications](http://www.iec.ch/standardsdev/publications).

A list of all parts in the IEC 60335 series, published under the general title *Household and similar electrical appliances – Safety*, can be found on the IEC website.

This Part 2 is to be used in conjunction with the latest edition of IEC 60335-1 and its amendments unless that edition precludes it; in that case, the latest edition that does not preclude it is used. It was established on the basis of the sixth edition (2020) of that standard.

NOTE 1 When "Part 1" is mentioned in this standard, it refers to IEC 60335-1.

This Part 2 supplements or modifies the corresponding clauses in IEC 60335-1, so as to convert that publication into the IEC standard: Particular requirements for commercial electric multi-purpose cooking pans.

When a particular subclause of Part 1 is not mentioned in this Part 2, that subclause applies as far as is reasonable. When this standard states "addition", "modification" or "replacement", the relevant text in Part 1 is to be adapted accordingly.

NOTE 2 The following numbering system is used:

- subclauses, tables and figures that are numbered starting from 101 are additional to those in Part 1;
- unless notes are in a new subclause or involve notes in Part 1, they are numbered starting from 101, including those in a replaced clause or subclause;
- additional annexes are lettered AA, BB, etc.

NOTE 3 The following print types are used:

- requirements: in roman type;
- *test specifications: in italic type;*
- notes: in small roman type.

Words in **bold** in the text are defined in Clause 3. When a definition concerns an adjective, the adjective and the associated noun are also in bold.

The committee has decided that the contents of this document will remain unchanged until the stability date indicated on the IEC website under [webstore.iec.ch](http://webstore.iec.ch) in the data related to the specific document. At this date, the document will be

- reconfirmed,
- withdrawn,
- replaced by a revised edition, or
- amended.

NOTE 4 The attention of National Committees is drawn to the fact that equipment manufacturers and testing organizations may need a transitional period following publication of a new, amended or revised IEC publication in which to make products in accordance with the new requirements and to equip themselves for conducting new or revised tests.

It is the recommendation of the committee that the content of this publication be adopted for implementation nationally not earlier than 12 months or later than 36 months from the date of publication.

The following differences exist in the countries indicated below.

- 6.1: Class 01 appliances are allowed (Japan).
- 13.2: Leakage current limits are different (Japan).
- 16.2: Leakage current limits are different (Japan).

**IMPORTANT – The "colour inside" logo on the cover page of this document indicates that it contains colours which are considered to be useful for the correct understanding of its contents. Users should therefore print this document using a colour printer.**

IECNORM.COM : Click to view the full PDF of IEC 60335-2-39:2021

## INTRODUCTION

It has been assumed in the drafting of this International Standard that the execution of its provisions is entrusted to appropriately qualified and experienced persons.

Guidance documents concerning the application of the safety requirements for appliances can be accessed via TC 61 supporting documents on the IEC website

<https://www.iec.ch/tc61/supportingdocuments>

This information is given for the convenience of users of this International Standard and does not constitute a replacement for the normative text in this standard.

This standard recognizes the internationally accepted level of protection against hazards such as electrical, mechanical, thermal, fire and radiation of appliances when operated as in normal use taking into account the manufacturer's instructions. It also covers abnormal situations that can be expected in practice and takes into account the way in which electromagnetic phenomena can affect the safe operation of appliances.

This standard takes into account the requirements of IEC 60364 as far as possible so that there is compatibility with the wiring rules when the appliance is connected to the supply mains. However, national wiring rules may differ.

If an appliance within the scope of this standard also incorporates functions that are covered by another Part 2 of IEC 60335, the relevant Part 2 is applied to each function separately, as far as is reasonable. If applicable, the influence of one function on the other is taken into account.

When a Part 2 standard does not include additional requirements to cover hazards dealt with in Part 1, Part 1 applies.

NOTE 1 This means that the technical committees responsible for the Part 2 standards have determined that it is not necessary to specify particular requirements for the appliance in question over and above the general requirements.

This standard is a product family standard dealing with the safety of appliances and takes precedence over horizontal and generic standards covering the same subject.

NOTE 2 Horizontal publications, basic safety publications and group safety publications covering a hazard are not applicable since they have been taken into consideration when developing the general and particular requirements for the IEC 60335 series of standards.

An appliance that complies with the text of this standard will not necessarily be considered to comply with the safety principles of the standard if, when examined and tested, it is found to have other features that impair the level of safety covered by these requirements.

An appliance employing materials or having forms of construction differing from those detailed in the requirements of this standard may be examined and tested according to the intent of the requirements and, if found to be substantially equivalent, may be considered to comply with the standard.

NOTE 3 Standards dealing with non-safety aspects of household appliances are:

- IEC standards published by TC 59 concerning methods of measuring performance;
- CISPR 11, CISPR 14-1 and relevant IEC 61000-3 series standards concerning electromagnetic emissions;
- CISPR 14-2 concerning electromagnetic immunity;
- IEC standards published by TC 111 concerning environmental matters.

## HOUSEHOLD AND SIMILAR ELECTRICAL APPLIANCES – SAFETY –

### Part 2-39: Particular requirements for commercial electric multi-purpose cooking pans

#### 1 Scope

This clause of Part 1 is replaced by the following.

This part of IEC 60335 deals with the safety of electrically operated commercial **multi-purpose cooking pans**, their **rated voltage** being not more than 250 V for single phase appliances connected between one phase and neutral and 480 V for other appliances. This standard also deals with pressurized appliances and appliances with pressurized parts.

These appliances are not intended for household and similar purposes. They are used for commercial processing of food in areas not open to the public, for example in kitchens of restaurants, canteens, hospitals and in commercial enterprises such as bakeries and butcheries.

The electrical part of appliances making use of other forms of energy is also within the scope of this standard.

As far as is practicable, this standard deals with the common hazards presented by these types of appliances.

Attention is drawn to the fact that

- for appliances intended to be used in vehicles or on board ships or aircraft, additional requirements can be necessary;
- in many countries, additional requirements are specified by the national health authorities, the national authorities responsible for the protection of labour, the national water supply authorities and similar authorities.

This standard does not apply to

- appliances designed exclusively for industrial purposes;
- appliances intended to be used in locations where special conditions prevail, such as the presence of a corrosive or explosive atmosphere (dust, vapour or gas);
- appliances for continuous mass production of food;
- deep fat fryers (IEC 60335-2-37);
- **battery-operated appliances.**

#### 2 Normative references

This clause of Part 1 is applicable except as follows.

*Addition:*

IEC 60584-1, *Thermocouples – Part 1: EMF specifications and tolerances*

ISO 898-1, *Mechanical properties of fasteners made of carbon steel and alloy steel – Part 1: Bolts, screws and studs with specified property classes – Coarse thread and fine pitch thread*

ISO 3506-1, *Fasteners – Mechanical properties of corrosion-resistant stainless steel fasteners – Part 1: Bolts, screws and studs with specified grades and property classes*

ISO 3506-2, *Fasteners – Mechanical properties of corrosion-resistant stainless steel fasteners – Part 2: Nuts with specified grades and property classes*

ISO 3506-3, *Mechanical properties of corrosion-resistant stainless steel fasteners – Part 3: Set screws and similar fasteners not under tensile stress*

ISO 3506-4, *Mechanical properties of corrosion-resistant stainless steel fasteners – Part 4: Tapping screws*

### 3 Terms and definitions

This clause of Part 1 is applicable except as follows.

#### 3.1 Definitions relating to physical characteristics

##### 3.1.4 Addition:

Note 101 to entry: The **rated power input** is the sum of the power inputs of all the individual elements in the appliance that can be on at one time; where there are several such combinations possible, that giving the highest power input is used in determining the **rated power input**.

##### 3.1.9 Replacement:

operation of the appliance under the following conditions:

The appliance is operated in accordance with the manufacturer's instructions, with no load and with the controls set to give the temperatures as set out below, the temperature being measured at the geometrical centre of the inside of the bottom face.

Stepped controls are set to the first position that gives a temperature equal to or greater than 275 °C. Cycling controls are set so that the mean value of the temperature over the cycle is 275 °C ± 5 °C. If this temperature cannot be reached, the control is set at the maximum.

Motors and **detachable electrical parts** incorporated in the appliance are operated under the most unfavourable conditions that can be expected in normal use taking into account the manufacturer's instructions.

##### 3.1.101

###### **rated pressure**

maximum working pressure assigned by the manufacturer to the pressurized parts of the appliance

#### 3.5 Definitions relating to types of appliances

##### 3.5.101

###### **multi-purpose cooking pan**

appliance comprising a pan, the base of which is evenly heated and that is intended principally for cooking or preparing meats, sauces, etc.

Note 1 to entry: The pan may be fixed or tilting.

Note 2 to entry: A **multi-purpose cooking pan** is also known as a "bratt pan".

##### 3.5.102

###### **atmospheric multi-purpose cooking pan**

multi-purpose cooking pan in which the pressure within the vessel does not differ significantly from atmospheric pressure

### 3.6 Definitions relating to parts of an appliance

#### 3.6.101

##### **functional surface**

surface that is intentionally heated by an internal heat source and has to be hot to carry out the function for which the appliance is intended

Note 1 to entry: An example is the heated sheath of a tubular heating element.

#### 3.6.102

##### **adjacent surface**

surface that is adjacent to a **functional surface** and which can become hot through conduction

### 3.8 Definitions relating to miscellaneous matters

#### 3.8.101

##### **installation wall**

special fixed construction containing supply facilities for appliances installed in conjunction with it

## 4 General requirement

This clause of Part 1 is applicable.

## 5 General conditions for the tests

This clause of Part 1 is applicable except as follows.

#### 5.5 Addition:

*The tests are carried out with the pan in the position of normal use for cooking.*

#### 5.10 Addition:

*Appliances intended for installation in a bank of other appliances and appliances intended to be fixed to an **installation wall** are enclosed to obtain protection against electric shock and harmful ingress of water equivalent to that obtained when installed in accordance with the instructions provided with the appliance.*

NOTE Appropriate enclosures or additional appliances can be needed for test purposes.

**5.101** *Appliances are tested as **heating appliances** when during a mode of operation electrical heaters are energized. If no electrical heaters are energized, the appliances are tested as **motor-operated appliances**.*

**5.102** *Appliances, when assembled in combination with or incorporating other appliances, are tested in accordance with the requirements of this standard. The other appliances are operated simultaneously in accordance with the requirements of the relevant standards.*

## 6 Classification

This clause of Part 1 is applicable except as follows.

#### 6.1 Replacement:

Appliances shall be **class I** with respect to protection against electric shock.

*Compliance is checked by inspection and by the relevant tests.*

## 6.2 Addition:

Appliances normally used on a table shall be at least IPX3. Other appliances shall be at least IPX4.

## 7 Marking and instructions

This clause of Part 1 is applicable except as follows.

### 7.1 Addition:

Appliances shall be marked with the rated capacity, in litres (l), unless this is marked on the appliance by another means, for example by a level mark.

If appliances have external **accessible surfaces** or lids, for which temperature rise limits are specified in Table 101 and for which the provisions of footnote "b" to Table 101 apply, then the appliance shall be marked with symbol IEC 60417-5041 (2002-10), or with the substance of the following:

Caution: Hot surfaces.

### 7.6 Addition:



[symbol IEC 60417-5041  
(2002-10)]

caution, hot surface

### 7.10 Addition:

Devices that control the tilting movement of tilting parts shall be clearly marked to show the direction of movement.

### 7.12 Addition:

The instructions shall warn the user not to use the appliance as a deep fat fryer unless it is intended to be used as one.

Appliances that are provided with an appliance inlet and are intended to be immersed in water for cleaning shall be accompanied by an instruction stating that the connector shall be removed before the appliance is cleaned and that the appliance inlet shall be dried before the appliance is used again.

Unless the appliance or part is intended to be partially or completely immersed in water for cleaning, the instructions for appliances with **detachable electrical parts** and appliances, other than **stationary appliances**, shall state that the appliance or part must not be immersed.

If any of the symbols IEC 60417-5021 (2002-10) or IEC 60417-5041 (2002-10) are marked on the appliance, its meaning shall be explained.

The instructions shall include the substance of the following warnings:

**WARNING:** Do not open drain cocks or other emptying devices until the pressure has been reduced to approximately atmospheric pressure.

**WARNING:** Opening the drain cock will lead to the outflow of the hot contents of the multi-purpose cooking pan.

The instructions shall include the substance of the following:

These appliances are intended to be used for commercial applications, for example in kitchens of restaurants, canteens, hospitals and in commercial enterprises such as bakeries and butcheries but not for continuous mass production of food.

If the manufacturer wants to limit the use of the appliance to less than the above, this has to be clearly stated in the instructions.

*Modification:*

The instruction concerning persons (including children) with reduced physical, sensory or mental capabilities or lack of experience and knowledge and children playing with the appliance is not applicable.

#### **7.12.1** *Addition:*

The appliance shall be accompanied by instructions detailing any special precautions necessary for installation. For appliances intended for installation in a bank of other appliances and appliances intended to be fixed to an **installation wall**, details of how to ensure appropriate protection against electric shock and harmful ingress of water shall be supplied. If the controls of more than one appliance are combined in a separate enclosure, detailed installation instructions shall be supplied. Instructions for **user maintenance**, for example cleaning, shall also be given. They shall include a statement that the appliance is not to be cleaned with a water jet or a steam cleaner.

For appliances that are permanently connected to fixed wiring and for which leakage currents can exceed 10 mA, particularly if disconnected or not used for long periods, or during initial installation, the instructions shall give recommendations regarding the rating of **protective devices**, such as residual current devices (RCD), to be installed.

If a **stationary appliance** is intended to be moved for cleaning, this shall be stated.

For **stationary appliances** equipped with rollers or castors or intended to be moved for cleaning, the instructions shall state the substance of the following.

This appliance is to be connected with flexible connections for equipotential bonding and connection to services such as electricity supply, water supply, gas supply and steam supply such that the appliance can be moved in the direction required for cleaning a distance not less than the dimension of the appliance in the direction of movement plus 500 mm without the flexible connections becoming taut or being subject to strain.

*Compliance is checked by inspection.*

#### **7.12.4** *Addition:*

The instructions for **built-in appliances** having a separate control panel for several appliances shall state that the control panel is only to be connected to the specified appliances in order to avoid a possible hazard.

#### **7.12.9** Not applicable.

#### 7.14 Addition:

The height of the triangle in symbol IEC 60417-5041 (2002-10) shall be at least 15 mm.

#### 7.15 Addition:

The marking specified for external **accessible surfaces** shall be visible when the appliance is operated as in normal use, including when actuating any switch, adjusting any control or opening a lid or door. It shall not be placed on a **functional surface** or **adjacent surface**.

#### Modification:

For **fixed appliances**, the marking of the name or trademark or identification mark of the manufacturer or responsible vendor and the model or type reference shall be marked on the appliance and, if not visible when the appliance is installed as in normal use, shall be included in the instructions or on an additional label that can be fixed near the appliance after installation.

#### 7.101 Equipotential bonding terminals shall be marked with symbol IEC 60417-5021 (2002-10).

These markings shall not be placed on screws, removable washers or other parts that can be removed when conductors are being connected.

*Compliance is checked by inspection.*

**7.102** Appliances or the **detachable electrical parts** of appliances intended to be partially immersed in water for cleaning shall be marked with a line that clearly indicates the maximum depth of immersion, together with the substance of the following warning:

Do not immerse beyond this line.

If there is any seam or seal that causes the appliance or part not to withstand the treatment specified in 15.102, the line indicating the maximum depth of immersion shall be at least 50 mm below any such seam or seal when the appliance or the part is in the position in which it is to be cleaned.

*Compliance is checked by inspection and measurement.*

## 8 Protection against access to live parts

This clause of Part 1 is applicable.

## 9 Starting of motor-operated appliances

This clause of Part 1 is applicable except as follows.

**9.101** Fan motors providing a cooling effect in order to comply with the requirements of Clause 11 shall start under all voltage conditions that can occur in use.

*Compliance is checked by the following tests using a supply source such that its drop in voltage does not exceed 1 % during the tests, the appliance being returned to **room temperature** after each test.*

*The appliance is started under the conditions occurring at the beginning of **normal operation** or, for automatic appliances, at the beginning of the normal cycle of operation, a voltage equal to 0,85 times the **rated voltage** being applied to the input terminals of the appliance.*

*For appliances provided with motors having other than centrifugal starting switches, this test is repeated at a voltage equal to 1,06 times the **rated voltage** being applied to the input terminals of the appliance.*

*The tests are carried out three times.*

*In all cases, the motor shall start and it shall function in such a way that safety is not affected and overload **protective devices** of the motor shall not operate.*

## 10 Power input and current

This clause of Part 1 is applicable except as follows.

### 10.1 Addition:

*For appliances having more than one heating unit, the total power input may be determined by measuring the power input of each heating unit separately (see also 3.1.4).*

## 11 Heating

This clause of Part 1 is applicable except as follows.

### 11.2 Addition:

*Appliances intended to be fixed to the floor and appliances with a mass greater than 40 kg and not provided with rollers, castors or similar means are installed in accordance with the manufacturer's instructions. If no instructions are given, these appliances are considered as appliances normally placed on the floor.*

### 11.3 Addition:

*Where the external **accessible surfaces** are suitably flat and access permits, then the test probe of Figure 101 is used to measure the temperature rises of external **accessible surfaces** specified in Table 101. The probe is applied with a force of  $4\text{ N} \pm 1\text{ N}$  to the surface in such a way that the best possible contact between the probe and the surface is ensured. The measurement is performed after a contact period of 30 s.*

*The probe may be held in place using a laboratory stand clamp or similar device. Any measuring instrument giving the same results as the probe may be used.*

### 11.4 Replacement:

*Appliances are operated under **normal operation** such that the total power input of the appliance is 1,15 times the **rated power input**. If it is not possible to switch on all heating elements at the same time, the test is made with each of the combinations that the switch arrangement will allow, the highest load possible with each switching arrangement being in circuit.*

*If the appliance is provided with a control that limits the total power input, the test is made with whichever combination of heating units, as may be selected by the control, imposes the most unfavourable condition.*

If the temperature rise limits of motors, transformers or **electronic circuits** are exceeded, the test is repeated with the appliance supplied at 1,06 times the **rated voltage**. In this case, only the temperature rise of the components for which the temperature rise limits were exceeded are measured.

#### 11.7 Replacement:

Appliances are operated until steady conditions are established.

Steady conditions are considered to exist 60 min after reaching the temperatures defined for **normal operation**.

When an appliance is assembled in combination with, equipped with or incorporating accessories or other appliances, the interaction shall be covered if they are provided to operate simultaneously as stated by the manufacturer or by a common control.

Agitator motors are operated continuously unless provided with a timer, in which case they are operated for the maximum time allowed by the timer, or until steady conditions are established, whichever is the shortest.

Tilting motors are operated immediately after the appliance has reached steady conditions, for one full cycle of operation (one cycle being from the fully up position to the fully down position and back to the fully up position).

Lifting motors are similarly operated, but for three such cycles.

#### 11.8 Modification:

During the test, the temperature rises are monitored continuously and shall not exceed the values shown in Table 3 and Table 101.

Addition:

**Table 101 – Maximum temperature rises for specified external accessible surfaces under normal operating conditions**

Surface <sup>a</sup>	Temperature rise of external accessible surfaces <sup>b</sup> K
Bare metal	48
Coated metal <sup>c</sup>	59
Glass and ceramic	65
Plastic and plastic coating > 0,4 mm <sup>d, e</sup>	74

<sup>a</sup> Temperature rises are not measured on:

- the underside of appliances intended to be used on a working surface or floor;
- the rear surface of appliances;
- surfaces that are inaccessible to a 75 mm diameter probe having a hemispherical end;
- **functional surfaces and adjacent surfaces.**

<sup>b</sup> The temperature rise on external **accessible surfaces** up to a distance of 100 mm from **adjacent surfaces** of the appliance (see Figure 102) may exceed the limits by up to 25 K, but the relevant part shall then be marked with symbol IEC 60417-5041 (2002-10) or the equivalent text.

<sup>c</sup> Metal is considered coated when a coating having a minimum thickness of 90 µm made of enamel or non-substantially plastic coating is used.

<sup>d</sup> The temperature rise limit of plastic also applies for plastic material having a metal finish of thickness less than 0,1 mm.

<sup>e</sup> When the thickness of the plastic coating does not exceed 0,4 mm, the temperature rise limits of coated metal for underlying metal apply or the temperature rise limits for glass or ceramic material for underlying glass or ceramic material apply.

## 12 Charging metal-ion batteries

This clause of Part 1 is not applicable.

## 13 Leakage current and electric strength at operating temperature

This clause of Part 1 is applicable except as follows.

### 13.2 Modification:

Instead of the permissible leakage current for **stationary class I appliances**, the following applies:

- for cord and plug connected appliances 0,75 mA or 1 mA per kW **rated power input** of the appliance with a maximum of 10 mA, whichever is higher;
- for other appliances 0,75 mA or 1 mA per kW **rated power input** of the appliance with no maximum, whichever is higher.

For **portable class I appliances**, instead of the permissible leakage current, the following applies:

- for cord and plug connected appliances 0,75 mA or 1 mA per kW **rated power input** of the appliance with a maximum of 10 mA, whichever is higher.

## 14 Transient overvoltages

This clause of Part 1 is applicable.

## 15 Moisture resistance

This clause of Part 1 is applicable except as follows.

### 15.1.1 Addition:

*In addition, appliances, except those marked IPX5 and IPX6, are subjected for 5 min to the following splash test.*

*The apparatus shown in Figure 103 is used. The appliance is placed in normal position of use and adjustable feet shall be set in accordance with the instruction for use to the most unfavourable height.*

*For appliances normally used on the floor, the bowl is placed on the floor and is moved around in such a way as to splash the appliance from all directions. During the test, the water pressure is so regulated that the water splashes up 150 mm above the bottom of the bowl. The bowl is not positioned underneath the appliance.*

*For all other appliances, the bowl is placed on the same plane where the appliance is placed and is moved around in such a way as to splash the appliance from all directions. During the test, the water pressure is so regulated that the water splashes up 100 mm above the bottom of the bowl. The bowl is not positioned underneath the appliance.*

*Care is taken that the appliance is not hit by the direct jet.*

### 15.1.2 Modification:

*Appliances normally used on a table are placed on a support having dimensions that are 15 cm ± 5 cm in excess of those of the orthogonal projection of the appliance on the support.*

### 15.2 Addition:

*Immediately after this test, appliances with tilting parts are subjected to the following test.*

*The pan, filled to its rated capacity or up to the level mark with the spillage solution is then tilted to any position.*

**15.101** Appliances that are provided with a tap intended for filling or cleaning shall be constructed so that the water from the tap cannot come into contact with **live parts**.

*Compliance is checked by the following test.*

*The tap is fully opened for 1 min with the appliance connected to a water supply having the maximum water pressure indicated by the manufacturer. Tiltable and movable parts, including lids, are tilted or placed in the most unfavourable position. Swivelling outlets of water taps are so positioned as to direct water on to those parts that will give the most unfavourable result.*

*Immediately following this treatment, the appliance shall withstand an electric strength test as specified in 16.3.*

**15.102** Appliances or **detachable electrical parts** intended to be partially or completely immersed in water for cleaning shall have adequate protection against the effects of immersion.

This requirement also applies to appliances, other than **stationary appliances**, or any **detachable electrical parts** not marked with a line indicating the maximum depth of immersion, or for which there is no warning against partial or complete immersion in the instructions.

*Compliance is checked by the following tests.*

*The sample is operated under **normal operation**, the supply voltage being such that the power input of the appliance is 1,15 times the **rated power input**.*

*When steady conditions are established, the connector is withdrawn or the supply otherwise switched off, and the sample is, if relevant, immediately emptied and then immersed completely in water having a temperature between 10 °C and 25 °C, unless it is marked with a line indicating the maximum depth of immersion, in which case it is immersed to the depth indicated.*

*After 1 h of immersion, the sample is removed from the water and dried, care being taken to ensure that all moisture is removed from the insulation in the vicinity of the pins of appliance inlets. The leakage current is then measured on the assembled appliance, as described in 16.2.*

*The leakage current shall not exceed the value specified in 16.2.*

*After the treatment described above and the measurement of the leakage current, the sample shall withstand an electric strength test as specified in 16.3, the test voltage being, however, reduced to 1 000 V.*

*The sample is then operated as above for 10 days (240 h). During this period, the sample is allowed to cool to approximately **room temperature** five times at regular intervals.*

*After this period, the connector of the sample is withdrawn or the supply otherwise switched off, and the sample immediately immersed once more in water for 1 h as described above. It is then dried and the leakage current is measured again as described in 16.2.*

*The leakage current shall not exceed the value specified in 16.2.*

*The sample shall then withstand an electric strength test as specified before, and inspection shall show that water has not entered the appliance to any appreciable extent in areas where electrical components are situated.*

## **16 Leakage current and electric strength**

This clause of Part 1 is applicable except as follows.

### **16.2 Modification:**

*Instead of the permissible leakage current for **stationary class I appliances**, the following applies:*

- for cord and plug connected appliances* 0,75 mA or 1 mA per kW **rated power input** of the appliance with a maximum of 10 mA, whichever is higher;
- for other appliances* 0,75 mA or 1 mA per kW **rated power input** of the appliance with no maximum, whichever is higher.

For **portable class I appliances**, instead of the permissible leakage current, the following applies:

- for cord and plug connected appliances 0,75 mA or 1 mA per kW **rated power input** of the appliance with a maximum of 10 mA, whichever is higher.

*Addition:*

*For appliances incorporating an appliance inlet and intended to be partially or completely immersed in water for cleaning, the appliance inlet may be dried, for example by means of blotting paper, before applying the test voltage if the appliance would not otherwise withstand this test.*

## **17 Overload protection of transformers and associated circuits**

This clause of Part 1 is applicable.

## **18 Endurance**

This clause of Part 1 is applicable.

## **19 Abnormal operation**

This clause of Part 1 is applicable except as follows.

### **19.1 Addition:**

*Compliance is also checked by the test of 19.101.*

*A control or switching device that is intended for different settings corresponding to different functions of the same part of the appliance is in addition set in the most unfavourable setting irrespective of the manufacturer's instructions.*

### **19.2 Addition:**

*Controls are set at maximum.*

### **19.4 Addition:**

*Any adjustable temperature or pressure control within the appliance that is preset for correct operation but is not locked in position is adjusted to its most unfavourable position.*

**19.101** *Appliances provided with a control limiting the pressure during the tests of Clause 11 are also subjected to the tests of 19.4 with this control rendered inoperative.*

*During this test the pressure relief device is allowed to operate.*

## 20 Stability and mechanical hazards

This clause of Part 1 is applicable except as follows.

### 20.1 Modification:

*The test with the angle of inclination increased to 15° is not carried out.*

### 20.2 Addition:

*Add the following after the first paragraph in the requirement.*

This applies also to parts necessary to perform the tilting movement, i.e. handles or handwheels.

**20.101 Multi-purpose cooking pans** with moving parts intended for actions such as mixing and stirring, having a kinetic energy of more than 200 J, shall be provided with an interlock to stop the moving parts when the lid or guard has been opened by more than 50 mm.

It shall not be possible to release the interlock by means of test probe B of IEC 61032 with a force of 5 N.

Alternatively, if the peripheral speed of the moving parts intended for actions such as mixing and stirring does not exceed 1 m/s, the appliance may be provided with an interlock or similar device that can be easily actuated by the user without the use of his hands. The interlock or device shall be non-self-resetting and shall provide **all-pole disconnection** from the supply.

*Compliance is checked by inspection, by measurement and actuating the interlock and by manual test.*

## 21 Mechanical strength

This clause of Part 1 is applicable.

## 22 Construction

This clause of Part 1 is applicable except as follows.

### 22.7 Replacement:

**Multi-purpose cooking pans** in which the vessel operates at a pressure in excess of atmospheric pressure (overpressure) shall incorporate a suitable pressure relief device that prevents excessive pressure.

*Compliance is checked by operating the appliance at **rated power input** with the pressure controls rendered inoperative.*

*The pressure relief device shall operate during this test so as to prevent the internal pressure exceeding the **rated pressure** by more than 20 %.*

**22.101** For multi-phase appliances, **thermal cut-outs** protecting circuits with heating elements, and those for motors of which the unexpected starting can cause a hazard, shall be of the non-self-resetting and trip-free type, and shall provide **all-pole disconnection** from related supply circuits.

For single-phase appliances and for single-phase heating elements and/or motors connected between one phase and neutral or between phase and phase, **thermal cut-outs** protecting circuits with heating elements, and those for motors of which the unexpected starting can cause a hazard, shall be of the non-self-resetting and trip-free type, and shall provide at least one-pole disconnection.

If the **non-self-resetting thermal cut-out** is only accessible after removing parts with the aid of a **tool**, the trip-free type is not required.

NOTE Trip-free is an automatic action that is independent of manipulation or position of the actuating member.

**Thermal cut-outs** of the bulb and capillary type that operate during the tests of Clause 19 shall be such that rupture of the capillary tube shall not impair compliance with the requirements of 19.13.

*Compliance is checked by inspection and by manual test and by rupturing the capillary tube in such a way that the rupture does not seal the tube.*

**22.102** Lights, switches or push-buttons for the indication of danger, alarm or similar situations, shall be coloured red.

*Compliance is checked by inspection.*

**22.103** Appliances shall be constructed so that spillage or splashing of hot oil on parts that in normal use have a temperature exceeding 300 °C is adequately prevented.

*Compliance is checked by inspection after the test of 15.2.*

**22.104** Appliances with tilting containers shall be provided with a mechanism that prevents accidental tilting from any position. It shall not be possible to adversely influence the tilting action other than by the intended means.

Control devices used to operate the mechanism shall be located and protected in such a way that they cannot be operated accidentally.

*Compliance is checked by inspection and by applying a force of 340 N at any point to the pan.*

**22.105** Appliances with tilting pans shall be constructed so that if the pan is tilted through an angle of more than 12° with respect to the horizontal, the heating elements shall automatically be switched off.

*Compliance is checked by inspection and measurement.*

**22.106** Hinged lids shall be protected against accidental closing.

*Compliance is checked by inspection and by manual test.*

**22.107 Portable appliances** shall not have openings on the underside that would allow small items to penetrate and touch **live parts**.

*Compliance is checked by inspection and by measuring the distance between the supporting surface and **live parts** through openings. This distance shall be at least 6 mm. However, if the appliance is fitted with legs, this distance is increased to 10 mm if the appliance is intended to stand on a table and to 20 mm if it is intended to stand on the floor.*

**22.108** The rim of tilting pans shall be constructed so that the liquid is poured out in an even stream.

*Compliance is checked by manual test.*

**22.109** Baskets, lifting or tilting devices shall be constructed so as to keep them safely in any position and a safe handling is possible. The drive mechanism shall automatically disengage or stop at its end positions.

*Compliance is checked by inspection and manual test.*

**22.110** Lids and their grips shall be constructed so that, when opening and closing them, scalding by steam is avoided.

*Compliance is checked by inspection.*

**22.111** The pressure relief device shall be positioned or constructed so that its operation does not cause injury to persons or damage to surroundings. Its construction shall be such that it cannot be made inoperative or set to a higher relief pressure without the aid of a special tool.

*Compliance is checked by inspection.*

**22.112** It shall not be possible to open the lid or cover of a pressurized appliance until the pressure has been reduced to approximately atmospheric pressure.

*Compliance is checked by inspection and by manual test.*

**22.113** Pressurized appliances shall incorporate a vacuum release valve to prevent a partial vacuum forming unless it is designed for vacuum operation.

*Compliance is checked by inspection.*

**22.114** Pressurized parts of appliances shall be capable of withstanding the **rated pressure**.

*Compliance is checked by subjecting the pressurized parts for 30 min to a hydrostatic pressure equal to 1,5 times the **rated pressure**. All outlets are sealed and any pressure relief devices rendered inoperative.*

*Means other than water may be used to create the hydrostatic pressure.*

*During the test, the pressurized parts shall show no signs of leaks or permanent deformation, nor shall they burst.*

**22.115** Thermal controls shall not be incorporated in connectors.

*Compliance is checked by inspection.*

## **23 Internal wiring**

This clause of Part 1 is applicable except as follows.

### **23.3 Addition:**

*If the capillary tube of the **thermostat** is liable to flexing in normal use, the following applies:*

- *where the capillary tube is fitted as part of the internal wiring, Part 1 applies;*
- *where the capillary tube is separate, it is subjected to 1 000 flexings at a rate not exceeding 30 per minute.*

*The rate of flexing may be reduced if it is not possible to move the movable part of the appliance at the given rate due to the mass of the movable part.*

*After the test, the capillary tube shall show no sign of damage within the meaning of this standard and no damage impairing its further use.*

*However, if a rupture of the capillary tube renders the appliance inoperative (fail-safe), separate capillary tubes are not tested, and those fitted as part of the internal wiring are not inspected for compliance with the requirements.*

*Compliance in this instance is checked by rupturing the capillary tube in such a way that the rupture does not seal the capillary tube.*

## 24 Components

This clause of Part 1 is applicable.

## 25 Supply connection and external flexible cords

This clause of Part 1 is applicable except as follows.

### 25.3 Addition:

Appliances with a mass greater than 40 kg, intended for permanent connection to fixed wiring and not provided with rollers, castors or similar means shall be constructed so that the connection can be done after the appliance has been installed in accordance with the manufacturer's instructions.

The connection to the fixed wiring of **built-in appliances** may be made before the appliance is installed.

Terminals for permanent connection of cables to fixed wiring may also be suitable for the **type X attachment** of a **supply cord**. In this case, a cord anchorage complying with 25.16 shall be fitted to the appliance.

If the appliance uses a **type X attachment** the instructions shall state the size and type of the **supply cord** to be used.

### 25.7 Modification:

*Instead of the types of **supply cords** specified, the following applies.*

**Supply cords** shall be oil-resistant, sheathed flexible cable not lighter than ordinary polychloroprene or other equivalent synthetic elastomer-sheathed cord (code designation 60245 IEC 57).

## 26 Terminals for external conductors

This clause of Part 1 is applicable.

## 27 Provision for earthing

This clause of Part 1 is applicable except as follows.

### 27.2 Addition:

**Stationary appliances** shall be provided with a terminal for the connection of an external equipotential conductor. This terminal shall

- be in effective electrical contact with all fixed exposed metal parts of the appliance, except small fixed exposed metal parts such as name-plates and similar parts;
- allow the connection of a conductor having a nominal cross-sectional area of up to 10 mm<sup>2</sup>; and
- be located in a position convenient for the connection of the bonding conductor after installation of the appliance.

## 28 Screws and connections

This clause of Part 1 is applicable except as follows.

### 28.1 Addition:

Screws made of carbon steel and alloy steel shall be made in accordance with ISO 898-1.

Screws made of corrosion-resistant stainless-steel shall be made in accordance with ISO 3506-1, or ISO 3506-2, or ISO 3506-3, or ISO 3506-4.

### 28.4 Addition:

Screws that make mechanical connections and electrical connections shall be so designed that the contact pressure does not change appreciably through loosening of the screwed assembly parts during operational stress and contact corrosion.

Screws that make mechanical connections and provide earthing continuity shall be so designed that the contact pressure does not change appreciably through loosening of the screwed assembly parts due to operational stress and contact corrosion. They shall be designed so that a minimum contact pressure remains.

*Compliance is checked by inspection and by measuring the assembling torques for screwed connections providing earthing continuity by applying a torque as specified in Table 102 to turn the screw in the fastening direction. The screw shall not turn.*

*The screw shall not have been unfastened prior to performing this test.*

**Table 102 – Assembling torques for screwed connections providing earthing continuity**

Outer thread diameter of the screw mm	Assembling torque Nm	
	Screwed connections for the mechanical strength of the screws A2-70 according to ISO 3506-1, or ISO 3506-2, or ISO 3506-3, or ISO 3506-4 and 5.8 according to ISO 898-1	Screwed connections for the mechanical strength of the screws > 8.8 according to ISO 898-1
> 2,8 and ≤ 3,6	0,8	1,3
> 3,6 and ≤ 4,2	1,9	3,0
> 4,2 and ≤ 5,3	3,7	6,0
> 5,3 and ≤ 6,3	6,5	10,0
M 8	15,0	25,0
M 10	31,0	50,0

## 29 Clearances, creepage distances and solid insulation

This clause of Part 1 is applicable except as follows.

### 29.2 Addition:

The microenvironment is pollution degree 3 and the insulation shall have a comparative tracking index (CTI) not less than 250, unless the insulation is enclosed or located so that it is unlikely to be exposed to pollution during normal use of the appliance.

## 30 Resistance to heat and fire

This clause of Part 1 is applicable except as follows.

### 30.2.1 Modification:

The glow-wire test is carried out at 650 °C. The glow-wire flammability index (GWFI) according to IEC 60695-2-12 shall be at least 650 °C.

### 30.2.2 Not applicable.

**30.101** Filters, if any, of non-metallic materials intended for the absorption of grease are subjected to the burning test specified in ISO 9772 for category HBF material, if relevant, or shall be classified at least HB40 according to IEC 60695-11-10, except that the thickness of the specimen is the same as that in the appliance.

Compliance is checked by the tests of ISO 9772 or IEC 60695-11-10.

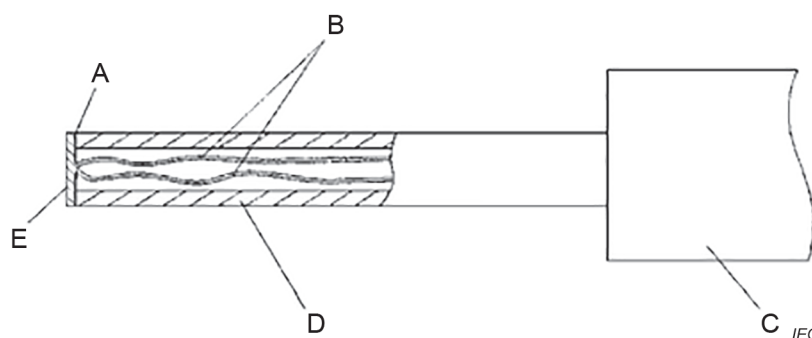
For the burning test specified in ISO 9772, it may be necessary to support the specimen.

## 31 Resistance to rusting

This clause of Part 1 is applicable.

### 32 Radiation, toxicity and similar hazards

This clause of Part 1 is applicable.

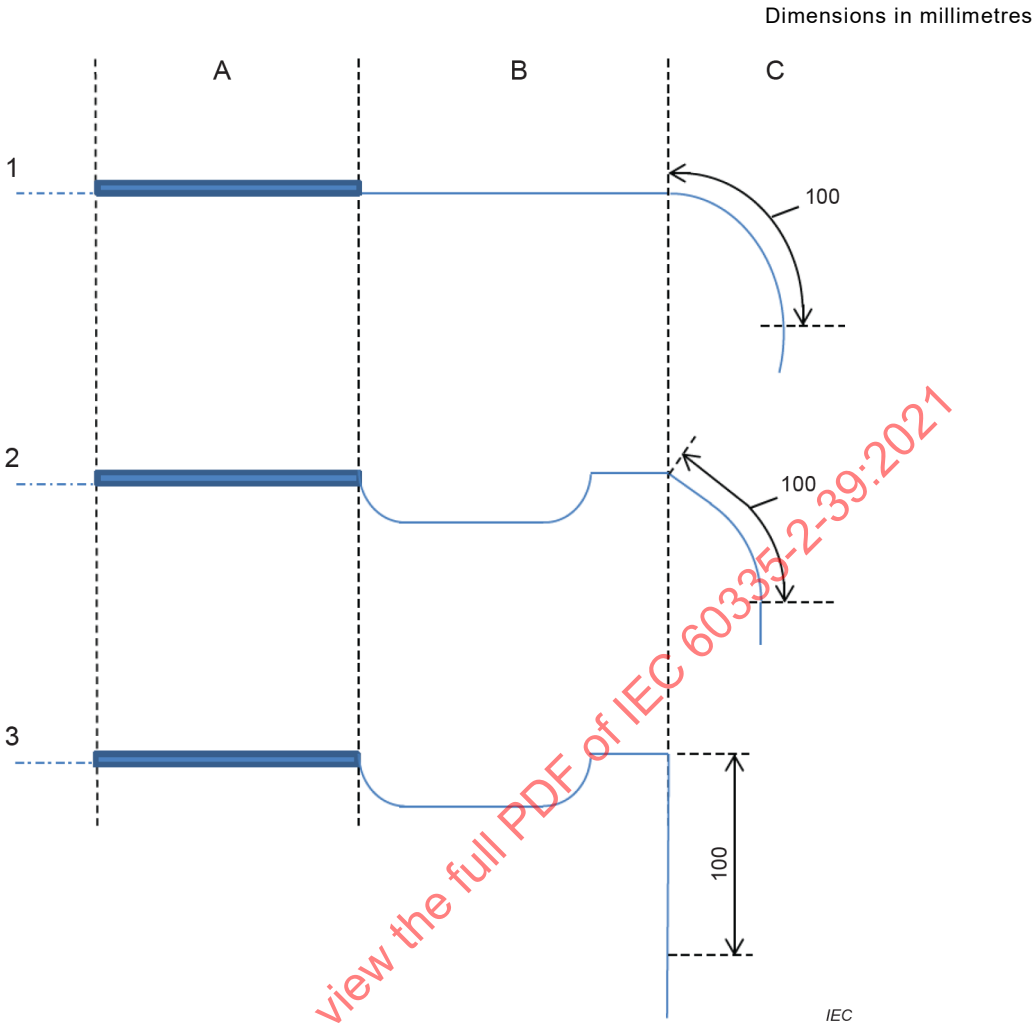


#### Key

- A adhesive
- B thermocouple wires 0,3 mm diameter to IEC 60584-1 Type K
- C handle arrangement permitting a contact force of  $4\text{ N} \pm 1\text{ N}$
- D polycarbonate tube: inside diameter 3 mm, outside diameter 5 mm
- E tinned copper disc: 5 mm diameter, 0,5 mm thick with flat contact face

**Figure 101 – Probe for measuring surface temperatures**

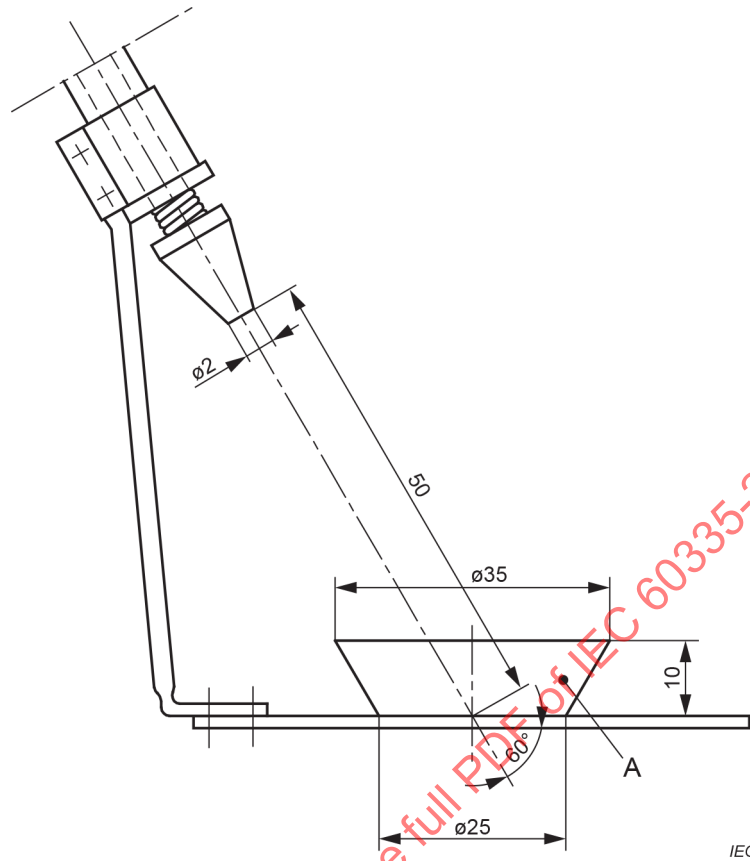
IECNORM.COM : Click to view the full PDF of IEC 60335-2-39:2021



- Key**
- A functional surface
  - B adjacent surface
  - C external accessible surface

**Figure 102 – Identification of surfaces for temperature measurement**

Dimensions in millimetres



Key

A bowl

Figure 103 – Splash apparatus

IECNORM.COM : Click to view the full PDF of IEC 60335-2-39:2021

## **Annexes**

The annexes of Part 1 are applicable except as follows.

[IECNORM.COM](https://www.iecnorm.com) : Click to view the full PDF of IEC 60335-2-39:2021

**Annex B**  
(normative)

**Battery-operated appliances, separable batteries and detachable  
batteries for battery-operated appliances**

Annex B of Part 1 is not applicable.

IECNORM.COM : Click to view the full PDF of IEC 60335-2-39:2021

## Annex P (informative)

### Guidance for the application of this standard to appliances used in tropical climates

Annex P of Part 1 is applicable except as follows.

#### 13 Leakage current and electric strength at operating temperature

##### 13.2 Modification:

Instead of the permissible leakage current for **stationary class I appliances**, the following applies:

- for cord and plug connected appliances 0,5 mA or 0,5 mA per kW **rated power input** of the appliance with a maximum of 5 mA, whichever is higher;
- for other appliances 0,5 mA or 0,5 mA per kW **rated power input** of the appliance with no maximum, whichever is higher.

For **portable class I appliances**, instead of the permissible leakage current, the following applies:

- for cord and plug connected appliances 0,5 mA or 0,5 mA per kW **rated power input** of the appliance with a maximum of 5 mA, whichever is higher.

#### 16 Leakage current and electric strength

##### 16.2 Modification:

Instead of the permissible leakage current for **stationary class I appliances**, the following applies:

- for cord and plug connected appliances 0,5 mA or 0,5 mA per kW **rated power input** of the appliance with a maximum of 5 mA, whichever is higher;
- for other appliances 0,5 mA or 0,5 mA per kW **rated power input** of the appliance with no maximum, whichever is higher.

For **portable class I appliances**, instead of the permissible leakage current, the following applies:

- for cord and plug connected appliances 0,5 mA or 0,5 mA per kW **rated power input** of the appliance with a maximum of 5 mA, whichever is higher.

## Bibliography

The bibliography of Part 1 is applicable except as follows.

*Addition:*

IEC 60335-2-37, *Household and similar electrical appliances – Safety – Part 2-37: Particular requirements for commercial electric doughnut fryers and deep fat fryers*

---

IECNORM.COM : Click to view the full PDF of IEC 60335-2-39:2021

IECNORM.COM : Click to view the full PDF of IEC 60335-2-39:2021

## SOMMAIRE

AVANT-PROPOS .....	36
INTRODUCTION .....	39
1 Domaine d'application .....	40
2 Références normatives .....	40
3 Termes et définitions .....	41
4 Exigences générales .....	42
5 Conditions générales d'essais .....	42
6 Classification .....	43
7 Marquage et instructions .....	43
8 Protection contre l'accès aux parties actives .....	46
9 Démarrage des appareils à moteur .....	46
10 Puissance et courant .....	46
11 Echauffements .....	46
12 Charge des batteries à ions métalliques .....	48
13 Courant de fuite et rigidité diélectrique à la température de régime .....	48
14 Surtensions transitoires .....	49
15 Résistance à l'humidité .....	49
16 Courant de fuite et rigidité diélectrique .....	51
17 Protection contre la surcharge des transformateurs et des circuits associés .....	51
18 Endurance .....	51
19 Fonctionnement anormal .....	51
20 Stabilité et dangers mécaniques .....	52
21 Résistance mécanique .....	53
22 Construction .....	53
23 Conducteurs internes .....	55
24 Composants .....	56
25 Raccordement au réseau et câbles souples extérieurs .....	56
26 Bornes pour conducteurs externes .....	56
27 Dispositions en vue de la mise à la terre .....	56
28 Vis et connexions .....	57
29 Distances dans l'air, lignes de fuite et isolation solide .....	57
30 Résistance à la chaleur et au feu .....	58
31 Protection contre la rouille .....	58
32 Rayonnement, toxicité et dangers analogues .....	58
Annexes .....	62
Annexe B (normative) Appareils alimentés par batteries, batteries séparables et batteries amovibles pour appareils alimentés par batteries .....	63
Annexe P (informative) Lignes directrices pour l'application de la présente norme aux appareils utilisés en climat tropical .....	64
Bibliographie .....	65
Figure 101 – Calibre pour le mesurage des températures de surface .....	59

Figure 102 – Identification des surfaces pour le mesurage des températures.....	60
Figure 103 – Appareil d'éclaboussement.....	61
Tableau 101 – Echauffements maximaux pour les surfaces accessibles extérieures spécifiées en conditions de fonctionnement.....	48
Tableau 102 – Couples d'assemblage pour les connexions vissées qui assurent la continuité de la mise à la terre.....	57

IECNORM.COM : Click to view the full PDF of IEC 60335-2-39:2021

## COMMISSION ÉLECTROTECHNIQUE INTERNATIONALE

**APPAREILS ÉLECTRODOMESTIQUES ET ANALOGUES –  
SÉCURITÉ –****Partie 2-39: Exigences particulières pour  
les sauteuses électriques à usage commercial**

## AVANT-PROPOS

- 1) La Commission Électrotechnique Internationale (IEC) est une organisation mondiale de normalisation composée de l'ensemble des comités électrotechniques nationaux (Comités nationaux de l'IEC). L'IEC a pour objet de favoriser la coopération internationale pour toutes les questions de normalisation dans les domaines de l'électricité et de l'électronique. A cet effet, l'IEC – entre autres activités – publie des Normes internationales, des Spécifications techniques, des Rapports techniques, des Spécifications accessibles au public (PAS) et des Guides (ci-après dénommés "Publication(s) de l'IEC"). Leur élaboration est confiée à des comités d'études, aux travaux desquels tout Comité national intéressé par le sujet traité peut participer. Les organisations internationales, gouvernementales et non gouvernementales, en liaison avec l'IEC, participent également aux travaux. L'IEC collabore étroitement avec l'Organisation Internationale de Normalisation (ISO), selon des conditions fixées par accord entre les deux organisations.
- 2) Les décisions ou accords officiels de l'IEC concernant les questions techniques représentent, dans la mesure du possible, un accord international sur les sujets étudiés, étant donné que les Comités nationaux de l'IEC intéressés sont représentés dans chaque comité d'études.
- 3) Les Publications de l'IEC se présentent sous la forme de recommandations internationales et sont agréées comme telles par les Comités nationaux de l'IEC. Tous les efforts raisonnables sont entrepris afin que l'IEC s'assure de l'exactitude du contenu technique de ses publications; l'IEC ne peut pas être tenue responsable de l'éventuelle mauvaise utilisation ou interprétation qui en est faite par un quelconque utilisateur final.
- 4) Dans le but d'encourager l'uniformité internationale, les Comités nationaux de l'IEC s'engagent, dans toute la mesure possible, à appliquer de façon transparente les Publications de l'IEC dans leurs publications nationales et régionales. Toutes divergences entre toutes Publications de l'IEC et toutes publications nationales ou régionales correspondantes doivent être indiquées en termes clairs dans ces dernières.
- 5) L'IEC elle-même ne fournit aucune attestation de conformité. Des organismes de certification indépendants fournissent des services d'évaluation de conformité et, dans certains secteurs, accèdent aux marques de conformité de l'IEC. L'IEC n'est responsable d'aucun des services effectués par les organismes de certification indépendants.
- 6) Tous les utilisateurs doivent s'assurer qu'ils sont en possession de la dernière édition de cette publication.
- 7) Aucune responsabilité ne doit être imputée à l'IEC, à ses administrateurs, employés, auxiliaires ou mandataires, y compris ses experts particuliers et les membres de ses comités d'études et des Comités nationaux de l'IEC, pour tout préjudice causé en cas de dommages corporels et matériels, ou de tout autre dommage de quelque nature que ce soit, directe ou indirecte, ou pour supporter les coûts (y compris les frais de justice) et les dépenses découlant de la publication ou de l'utilisation de cette Publication de l'IEC ou de toute autre Publication de l'IEC, ou au crédit qui lui est accordé.
- 8) L'attention est attirée sur les références normatives citées dans cette publication. L'utilisation de publications référencées est obligatoire pour une application correcte de la présente publication.
- 9) L'attention est attirée sur le fait que certains des éléments de la présente Publication de l'IEC peuvent faire l'objet de droits de brevet. L'IEC ne saurait être tenue pour responsable de ne pas avoir identifié de tels droits de brevets.

L'IEC 60335-2-39 a été établie par le comité d'études 61 de l'IEC: Sécurité des appareils électrodomestiques et analogues. Il s'agit d'une Norme internationale.

Cette septième édition annule et remplace la sixième édition parue en 2012 et l'Amendement 1:2017. Cette édition constitue une révision technique.

Cette édition inclut les modifications techniques majeures suivantes par rapport à l'édition précédente:

- a) alignement du texte sur l'IEC 60335-1:2020;
- b) conversion en texte normatif ou modification de certaines notes (Article 1, 15.1, 15.102, 16.2, 19.101, 27.2);

- c) exclusion des appareils alimentés par batteries et des appareils utilisés dans des lieux ouverts au public (Article 1);
- d) déplacement des instructions pour le nettoyage du 7.12.1 au 7.12;
- e) déplacement du 24.101 au 22.115;
- f) alignement du texte de l'IEC 60335-2-39 sur d'autres normes sous l'IEC/TC61/MT32;
- g) clarification et modification de certaines modalités d'essais (9.101, 11.4, 15.1.1, 15.102, 20.1, 25.3).

Le texte de cette Norme internationale est issu des documents suivants:

Projet	Rapport de vote
61/6374/FDIS	61/6424/RVD

Le rapport de vote indiqué dans le tableau ci-dessus donne toute information sur le vote ayant abouti à son approbation.

La langue employée pour l'élaboration de cette Norme internationale est l'anglais.

Ce document a été rédigé selon les Directives ISO/IEC, Partie 2, il a été développé selon les Directives ISO/IEC, Partie 1 et les Directives ISO/IEC, Supplément IEC, disponibles sous [www.iec.ch/members\\_experts/refdocs](http://www.iec.ch/members_experts/refdocs). Les principaux types de documents développés par l'IEC sont décrits plus en détail sous [www.iec.ch/standardsdev/publications](http://www.iec.ch/standardsdev/publications).

Une liste de toutes les parties de la série IEC 60335, publiées sous le titre général *Appareils électrodomestiques et analogues – Sécurité*, se trouve sur le site web de l'IEC.

La présente Partie 2 doit être utilisée conjointement avec la dernière édition de l'IEC 60335-1 et ses amendements, sauf si cette édition l'exclut. Dans ce cas, la dernière édition qui n'exclut pas la présente Partie 2 est utilisée. Elle a été établie sur la base de la sixième édition (2020) de cette norme.

NOTE 1 L'expression "la Partie 1" utilisée dans la présente norme fait référence à l'IEC 60335-1.

La présente Partie 2 complète ou modifie les articles correspondants de l'IEC 60335-1, de façon à transformer cette publication en norme IEC: Exigences particulières pour les sauteuses électriques à usage commercial.

Lorsqu'un paragraphe particulier de la Partie 1 n'est pas mentionné dans cette Partie 2, ce paragraphe s'applique pour autant que cela soit raisonnable. Lorsque la présente norme mentionne "addition", "modification" ou "remplacement", le texte correspondant de la Partie 1 doit être adapté en conséquence.

NOTE 2 Le système de numérotation suivant est utilisé:

- les paragraphes, tableaux et figures qui s'ajoutent à ceux de la Partie 1 sont numérotés à partir de 101;
- à l'exception de celles qui sont dans un nouveau paragraphe ou de celles qui concernent des notes de la Partie 1, les notes sont numérotées à partir de 101, y compris celles des articles ou paragraphes qui sont remplacés;
- les annexes qui sont ajoutées sont désignées AA, BB, etc.

NOTE 3 Les caractères d'imprimerie suivants sont utilisés:

- exigences: caractères romains;
- modalités d'essais: caractères italiques;
- notes: petits caractères romains.

Les termes en **gras** dans le texte sont définis à l'Article 3. Lorsqu'une définition concerne un adjectif, l'adjectif et le nom associé figurent également en gras.

Le comité a décidé que le contenu de ce document ne sera pas modifié avant la date de stabilité indiquée sur le site web de l'IEC sous [webstore.iec.ch](http://webstore.iec.ch) dans les données relatives au document recherché. A cette date, le document sera

- reconduit,
- supprimé,
- remplacé par une édition révisée, ou
- amendé.

NOTE 4 L'attention des Comités nationaux est attirée sur le fait que les fabricants d'appareils et les organismes d'essai peuvent avoir besoin d'une période transitoire après la publication d'une nouvelle publication IEC, ou d'une publication amendée ou révisée, pour fabriquer des produits conformes aux nouvelles exigences et pour adapter leurs équipements aux nouveaux essais ou aux essais révisés.

Le comité recommande que le contenu de cette publication soit entériné au niveau national au plus tôt 12 mois et au plus tard 36 mois après la date de publication.

Les différences suivantes existent dans les pays indiqués ci-après.

- 6.1: Les appareils de la classe 01 sont admis (Japon).
- 13.2: Les limites de courant de fuite sont différentes (Japon).
- 16.2: Les limites de courant de fuite sont différentes (Japon).

**IMPORTANT – Le logo "colour inside" qui se trouve sur la page de couverture de ce document indique qu'il contient des couleurs qui sont considérées comme utiles à une bonne compréhension de son contenu. Les utilisateurs devraient, par conséquent, imprimer ce document en utilisant une imprimante couleur.**

IECNORM.COM : Click to view the full PDF of IEC 60335-2-39:2021

## INTRODUCTION

Il a été considéré en établissant cette Norme internationale que l'exécution de ses dispositions était confiée à des personnes expérimentées et ayant une qualification appropriée.

Les documents de recommandations concernant l'application des exigences de sécurité pour les appareils peuvent être consultés dans les documents de support du CE 61, accessibles sur le site web de l'IEC à l'adresse:

<https://www.iec.ch/tc61/supportingdocuments>

Cette information est donnée à l'intention des utilisateurs de la présente Norme internationale et n'a pas pour objet de remplacer le texte normatif de la présente norme.

La présente norme reconnaît le niveau de protection internationalement accepté contre les dangers électriques, mécaniques, thermiques, liés au feu et au rayonnement des appareils, lorsqu'ils fonctionnent comme en usage normal en tenant compte des instructions du fabricant. Elle couvre également les situations anormales auxquelles on peut s'attendre dans la pratique et elle tient compte de la façon dont les phénomènes électromagnétiques peuvent affecter le fonctionnement sûr des appareils.

Cette norme tient compte autant que possible des exigences de l'IEC 60364, de façon à rester compatible avec les règles d'installation quand l'appareil est raccordé au réseau d'alimentation. Cependant, des règles nationales d'installation peuvent être différentes.

Si un appareil relevant du domaine d'application de la présente norme comporte également des fonctions couvertes par une autre Partie 2 de l'IEC 60335, la Partie 2 correspondante est appliquée à chaque fonction séparément, dans la limite du raisonnable. Si cela est applicable, on tient compte de l'influence d'une fonction sur les autres fonctions.

Lorsqu'une Partie 2 ne comporte pas d'exigences complémentaires pour couvrir les risques traités dans la Partie 1, la Partie 1 s'applique.

NOTE 1 Cela signifie que les comités d'études responsables pour les Parties 2 ont déterminé qu'il n'était pas nécessaire de spécifier des exigences particulières pour l'appareil en question en plus des exigences générales.

Cette norme est une norme de famille de produits traitant de la sécurité d'appareils et a préséance sur les normes horizontales et génériques couvrant le même sujet.

NOTE 2 Les publications horizontales, les publications fondamentales de sécurité et les publications groupées de sécurité couvrant un risque ne sont pas applicables parce qu'elles ont été prises en considération lorsque les exigences générales et particulières ont été étudiées pour la série de normes IEC 60335.

Un appareil conforme au texte de la présente norme ne sera pas nécessairement jugé conforme aux principes de sécurité de la norme si, lorsqu'il est examiné et soumis aux essais, il apparaît qu'il présente d'autres caractéristiques qui compromettent le niveau de sécurité visé par ces exigences.

Un appareil utilisant des matériaux ou présentant des modes de construction différents de ceux décrits dans les exigences de cette norme peut être examiné et essayé en fonction de l'objectif poursuivi par ces exigences et, s'il est jugé pratiquement équivalent, il peut être estimé conforme aux principes de sécurité de la norme.

NOTE 3 Les normes traitant des aspects non relatifs à la sécurité des appareils électrodomestiques sont:

- les normes IEC publiées par le comité d'études 59 concernant les méthodes de mesure d'aptitude à la fonction;
- les normes CISPR 11 et CISPR 14-1, ainsi que les normes applicables de la série IEC 61000-3 concernant les émissions électromagnétiques;
- la norme CISPR 14-2 concernant l'immunité électromagnétique;
- les normes IEC publiées par le comité d'études 111 concernant l'environnement.

# APPAREILS ÉLECTRODOMESTIQUES ET ANALOGUES – SÉCURITÉ –

## Partie 2-39: Exigences particulières pour les sauteuses électriques à usage commercial

### 1 Domaine d'application

L'article de la Partie 1 est remplacé par le texte suivant.

La présente partie de l'IEC 60335 traite de la sécurité des **sauteuses** électriques à usage commercial, dont la **tension assignée** est inférieure ou égale à 250 V pour les appareils monophasés raccordés entre un conducteur de phase et le conducteur de neutre, et à 480 V pour les autres appareils. La présente norme traite également des appareils sous pression et des appareils qui comportent des parties sous pression.

Ces appareils ne sont pas destinés à un usage domestique ou analogue. Ils sont destinés à un usage commercial pour le traitement des aliments dans des zones non ouvertes au public, par exemple dans les cuisines de restaurants, les cantines, les hôpitaux et les entreprises commerciales, telles que les boulangeries et les boucheries.

La partie électrique des appareils qui utilise d'autres formes d'énergie est également comprise dans le domaine d'application de la présente norme.

Dans la mesure du possible, la présente norme traite des dangers courants que présentent ces types d'appareils.

L'attention est attirée sur le fait que:

- pour les appareils destinés à être utilisés dans des véhicules ou à bord de navires ou d'avions, des exigences supplémentaires peuvent être nécessaires;
- dans de nombreux pays, des exigences supplémentaires sont spécifiées par les autorités sanitaires nationales, les organismes nationaux en charge de la protection des travailleurs, les agences nationales de l'eau et des organismes analogues.

La présente norme ne s'applique pas

- aux appareils prévus exclusivement pour des usages industriels;
- aux appareils destinés à être utilisés dans des locaux qui présentent des conditions particulières, telles que la présence d'une atmosphère corrosive ou explosive (poussière, vapeur ou gaz);
- aux appareils conçus pour la production continue en masse d'aliments;
- aux friteuses (IEC 60335-2-37);
- aux **appareils alimentés par batteries**.

### 2 Références normatives

L'article de la Partie 1 est applicable, avec l'exception suivante.

*Addition:*

IEC 60584-1, *Couples thermoélectriques – Partie 1: Spécifications et tolérances en matière de FEM*

ISO 898-1, *Caractéristiques mécaniques des éléments de fixation en acier au carbone et en acier allié – Partie 1: Vis, goujons et tiges filetées de classes de qualité spécifiées – Filetages à pas gros et filetages à pas fin*

ISO 3506-1, *Fixations – Caractéristiques mécaniques des fixations en acier inoxydable résistant à la corrosion – Partie 1: Vis, goujons et tiges filetées de grades et classes de qualité spécifiés*

ISO 3506-2, *Fixations – Caractéristiques mécaniques des fixations en acier inoxydable résistant à la corrosion – Partie 2: Ecrous de grades et classes de qualité spécifiés*

ISO 3506-3, *Caractéristiques mécaniques des éléments de fixation en acier inoxydable résistant à la corrosion – Partie 3: Vis sans tête et éléments de fixation similaires non soumis à des contraintes de traction*

ISO 3506-4, *Caractéristiques mécaniques des éléments de fixation en acier inoxydable résistant à la corrosion – Partie 4: Vis à tôle*

### 3 Termes et définitions

L'article de la Partie 1 est applicable, avec les exceptions suivantes.

#### 3.1 Définitions relatives aux caractéristiques physiques

##### 3.1.4 *Addition:*

Note 101 à l'article: La **puissance assignée** est la somme des puissances de tous les éléments individuels de l'appareil qui peuvent être alimentés simultanément; si plusieurs combinaisons d'éléments sont possibles, celle qui donne la puissance la plus élevée sert à déterminer la **puissance assignée**.

##### 3.1.9 *Remplacement:*

fonctionnement de l'appareil dans les conditions suivantes:

L'appareil est mis en fonctionnement conformément aux instructions du fabricant, sans charge, et les dispositifs de commande sont réglés de façon à donner les températures indiquées ci-dessous, la température étant mesurée au centre géométrique sur la face interne du fond de la cuve.

Les dispositifs de commande par pas sont réglés sur la première position qui donne une température supérieure ou égale à 275 °C. Les dispositifs de commande cycliques sont réglés afin que la valeur moyenne de la température pendant le cycle soit égale à 275 °C ± 5 °C. Si cette température ne peut pas être atteinte, le dispositif de commande est réglé sur le réglage maximal.

Les moteurs et les **parties électriques amovibles** incorporés dans l'appareil sont mis en fonctionnement dans les conditions les plus défavorables qui peuvent se produire en usage normal, en tenant compte des instructions du fabricant.

##### 3.1.101

##### **pression assignée**

pression de service maximale attribuée par le fabricant aux parties sous pression de l'appareil

### 3.5 Définitions relatives aux types d'appareils

#### 3.5.101

##### **sauteuse**

appareil qui comporte une cuve dont le fond est chauffé uniformément et qui est principalement destiné à la cuisson ou à la préparation des viandes, sauces, etc.

Note 1 à l'article: La cuve peut être fixe ou basculante.

Note 2 à l'article: Une **sauteuse** est également appelée "casserole bratt".

#### 3.5.102

##### **sauteuse atmosphérique**

sauteuse dans laquelle la pression à l'intérieur du récipient ne diffère pas sensiblement de la pression atmosphérique

### 3.6 Définitions relatives aux parties d'un appareil

#### 3.6.101

##### **surface fonctionnelle**

surface qui est volontairement chauffée par une source de chaleur interne et qui doit être chaude pour assurer la fonction prévue de l'appareil

Note 1 à l'article: La gaine chauffée d'un élément chauffant tubulaire constitue un exemple.

#### 3.6.102

##### **surface adjacente**

surface qui est adjacente à une **surface fonctionnelle** et qui peut devenir chaude par conduction

### 3.8 Définitions relatives à des sujets divers

#### 3.8.101

##### **mur d'installation**

construction fixe spéciale qui comporte les dispositifs pour alimenter les appareils qui y sont raccordés

## 4 Exigences générales

L'article de la Partie 1 est applicable.

## 5 Conditions générales d'essais

L'article de la Partie 1 est applicable, avec les exceptions suivantes.

### 5.5 Addition:

*Les essais sont effectués avec la cuve en position normale d'emploi pour la cuisson.*

### 5.10 Addition:

*Les appareils destinés à être installés en batterie avec d'autres appareils et les appareils destinés à être fixés à un **mur d'installation** sont sous une enveloppe de manière à assurer une protection contre les chocs électriques et les effets nuisibles de la pénétration de l'eau équivalente à celle procurée lorsqu'ils sont installés conformément aux instructions fournies avec l'appareil.*

NOTE Des enveloppes adaptées ou des appareils supplémentaires peuvent être nécessaires pour les essais.

**5.101** Les appareils sont soumis à l'essai comme des **appareils chauffants** lorsque les appareils de chauffage électriques sont sous tension au cours d'un mode de fonctionnement. Si aucun appareil de chauffage électrique n'est sous tension, les appareils sont soumis à l'essai comme des **appareils à moteur**.

**5.102** Les appareils, lorsqu'ils sont montés en combinaison avec d'autres appareils ou lorsqu'ils incorporent d'autres appareils, sont soumis à l'essai conformément aux exigences de la présente norme. Les autres appareils sont mis en fonctionnement simultanément conformément aux exigences des normes correspondantes.

## 6 Classification

L'article de la Partie 1 est applicable, avec les exceptions suivantes.

### 6.1 Remplacement:

Les appareils doivent être de la **classe I** en ce qui concerne la protection contre les chocs électriques.

*La conformité est vérifiée par examen et par les essais applicables.*

### 6.2 Addition:

Les appareils normalement utilisés sur une table doivent être au moins IPX3. Les autres appareils doivent être au moins IPX4.

## 7 Marquage et instructions

L'article de la Partie 1 est applicable, avec les exceptions suivantes.

### 7.1 Addition:

Les appareils doivent porter le marquage de la capacité assignée, en litres (l), sauf si ce marquage figure sur l'appareil d'une autre façon, par exemple par l'indication d'un niveau.

Si un appareil possède des **surfaces accessibles** extérieures ou des couvercles, pour lesquels des limites d'échauffement sont spécifiées dans le Tableau 101 et pour lesquels les dispositions de la note de bas de tableau "b" du Tableau 101 s'appliquent, l'appareil doit porter un marquage sur lequel est apposé le symbole IEC 60417-5041 (2002-10), ou qui comporte en substance l'indication suivante:

Attention: Surfaces chaudes.

### 7.6 Addition:



[symbole IEC 60417-5041  
(2002-10)]

attention: surface chaude

### 7.10 Addition:

Les dispositifs qui commandent le mouvement de basculement des parties basculantes doivent porter une indication claire de la direction du mouvement.

### 7.12 Addition:

Les instructions doivent prévenir l'utilisateur de ne pas utiliser l'appareil comme une friteuse, sauf si une telle utilisation est prévue.

Les appareils qui sont équipés d'un socle de connecteur, et qui sont destinés à être immergés dans l'eau pour le nettoyage, doivent être accompagnés d'une instruction qui indique que la prise mobile de connecteur doit être débranchée avant de nettoyer l'appareil et que le socle de connecteur doit être séché avant toute nouvelle utilisation de l'appareil.

A moins que l'appareil ou la partie ne soit destiné(e) à être partiellement ou complètement immergé(e) dans l'eau pour le nettoyage, les instructions des appareils qui comportent des **parties électriques amovibles** et des appareils autres que les **appareils fixes** doivent indiquer que l'appareil ou la partie ne doit pas être immergé(e).

Si l'un des symboles IEC 60417-5021 (2002-10) ou IEC 60417-5041 (2002-10) est marqué sur l'appareil, sa signification doit être expliquée.

Les instructions doivent comporter en substance les mises en garde suivantes:

**MISE EN GARDE:** Ne pas ouvrir les robinets de purge ou autres dispositifs de vidange tant que la pression n'est pas redescendue approximativement à la pression atmosphérique.

**MISE EN GARDE:** L'ouverture du robinet de purge entraîne l'écoulement du contenu chaud de la sauteuse électrique.

Les instructions doivent comporter en substance les indications suivantes:

Ces appareils sont destinés à un usage commercial, par exemple dans les cuisines de restaurants, les cantines, les hôpitaux et les entreprises commerciales, telles que les boulangeries et les boucheries, mais pas pour la production continue en masse d'aliments.

Si le fabricant souhaite limiter l'utilisation de l'appareil à un domaine plus restreint que celui décrit ci-dessus, cette restriction doit être clairement indiquée dans les instructions.

#### Modification:

L'instruction concernant les personnes (y compris les enfants) dont les capacités physiques, sensorielles ou mentales sont réduites, les personnes dénuées d'expérience ou de connaissance, et l'utilisation de l'appareil comme jouet par des enfants n'est pas applicable.

#### 7.12.1 Addition:

L'appareil doit être accompagné d'instructions qui précisent les précautions spéciales nécessaires à l'installation. Pour les appareils destinés à être installés dans une batterie d'autres appareils, et pour les appareils destinés à être fixés à un **mur d'installation**, des précisions doivent être fournies sur la façon d'assurer une protection appropriée contre les chocs électriques et les effets nuisibles de la pénétration d'eau. Si les dispositifs de commande de plusieurs appareils sont combinés dans un boîtier séparé, des instructions d'installation détaillées doivent être fournies. Des instructions doivent également être fournies concernant **l'entretien par l'utilisateur**, par exemple pour le nettoyage. Elles doivent inclure une indication qui précise que l'appareil ne doit pas être nettoyé au moyen d'un jet d'eau ou d'un appareil de nettoyage à vapeur.

Pour les appareils raccordés de façon permanente à un câblage fixe et dont le courant de fuite peut être supérieur à 10 mA, en particulier s'ils sont déconnectés ou qu'ils ne sont pas utilisés pendant de longues périodes, ou lors de la première installation, les instructions doivent contenir des recommandations concernant les caractéristiques assignées des **dispositifs de protection** à installer, tels que les dispositifs à courant différentiel résiduel (DDR).

Si un **appareil fixe** est destiné à être déplacé pour le nettoyage, cela doit être indiqué.

Pour les **appareils fixes** équipés de rouleaux ou roulettes, ou qui sont destinés à être déplacés pour le nettoyage, les instructions doivent comporter, en substance, l'indication suivante.

Cet appareil doit être raccordé au moyen de connexions souples pour la liaison équipotentielle et le raccordement aux services tels que l'alimentation en électricité, en eau, en gaz et en vapeur afin de pouvoir déplacer l'appareil dans la direction exigée pour le nettoyage à une distance supérieure ou égale à la dimension de l'appareil dans le sens du déplacement plus 500 mm, sans tendre ni solliciter les connexions souples.

*La conformité est vérifiée par examen.*

#### 7.12.4 Addition:

Lorsque les **appareils à encastrer** comportent un tableau de commande distinct pour plusieurs appareils, les instructions doivent indiquer que le tableau de commande ne doit être connecté qu'aux appareils spécifiés, afin d'éviter tout danger éventuel.

#### 7.12.9 Non applicable.

#### 7.14 Addition:

La hauteur du triangle dans le symbole IEC 60417-5041 (2002-10) doit être d'au moins 15 mm.

#### 7.15 Addition:

Le marquage spécifié pour les **surfaces accessibles** extérieures doit être visible lorsque l'appareil est mis en fonctionnement comme en usage normal, y compris lors de l'actionnement d'un interrupteur, du réglage d'un dispositif de commande ou de l'ouverture d'un couvercle ou d'une porte. Il ne doit pas être apposé sur une **surface fonctionnelle** ou une **surface adjacente**.

#### Modification:

Pour les **appareils installés à poste fixe**, le nom, la marque déposée ou la marque d'identification du fabricant ou de son mandataire, ainsi que la référence du modèle ou du type, doivent être apposés par marquage sur l'appareil et, si le marquage n'est pas visible lorsque l'appareil est installé comme en usage normal, ces informations doivent être indiquées dans les instructions ou sur une étiquette supplémentaire qui peut être fixée à proximité de l'appareil après l'installation.

**7.101** Les bornes de liaison équipotentielle doivent être marquées du symbole IEC 60417-5021 (2002-10).

Ces marquages ne doivent pas être placés sur des vis, des rondelles amovibles ou d'autres éléments qui peuvent être enlevés lors du raccordement des conducteurs.

*La conformité est vérifiée par examen.*

**7.102** Les appareils ou les **parties électriques amovibles** des appareils destinés à être partiellement immergés dans l'eau pour le nettoyage doivent être marqués d'une ligne qui indique clairement la profondeur d'immersion maximale, accompagnée de la mise en garde suivante qui indique en substance:

Ne pas immerger au-dessus de cette ligne.

Si une ligne d'assemblage ou un joint empêche l'appareil ou une partie de l'appareil d'être soumis au traitement spécifié en 15.102, la ligne qui indique la profondeur d'immersion maximale doit être située à au moins 50 mm au-dessous de cette ligne d'assemblage ou de ce joint lorsque l'appareil ou la partie de l'appareil est placé dans la position dans laquelle il doit être nettoyé.

*La conformité est vérifiée par examen et par un mesurage.*

## 8 Protection contre l'accès aux parties actives

L'article de la Partie 1 est applicable.

## 9 Démarrage des appareils à moteur

L'article de la Partie 1 est applicable, avec l'exception suivante.

**9.101** Les moteurs des ventilateurs qui assurent une fonction de refroidissement afin de satisfaire aux exigences de l'Article 11 doivent démarrer dans toutes les conditions de tension qui peuvent être rencontrées en cours d'utilisation.

*La conformité est vérifiée par les essais suivants en utilisant une source d'alimentation telle qu'il ne se produit pas de chute de tension supérieure à 1 % au cours des essais. L'appareil revient à la **température de la pièce** après chaque essai.*

*L'appareil est démarré dans les conditions qui se produisent au début du **fonctionnement normal** ou, pour les appareils automatiques, au début du cycle normal de fonctionnement, en appliquant aux bornes d'entrée de l'appareil une tension égale à 0,85 fois la **tension assignée**.*

*Pour les appareils qui comportent des moteurs équipés d'interrupteurs de démarrage autres que centrifuges, cet essai est répété en appliquant aux bornes d'entrée de l'appareil une tension égale à 1,06 fois la **tension assignée**.*

*Les essais sont effectués trois fois.*

*Dans tous les cas, le moteur doit démarrer et il doit fonctionner sans compromettre la sécurité, et les **dispositifs de protection** du moteur contre les surcharges ne doivent pas s'enclencher.*

## 10 Puissance et courant

L'article de la Partie 1 est applicable, avec l'exception suivante.

### 10.1 Addition:

*Pour les appareils qui comportent plusieurs unités chauffantes, la puissance totale peut être déterminée en mesurant la puissance de chaque unité chauffante séparément (voir aussi 3.1.4).*

## 11 Echauffements

L'article de la Partie 1 est applicable, avec les exceptions suivantes.

### 11.2 Addition:

Les appareils destinés à être fixés au sol, et les appareils dont la masse est supérieure à 40 kg et qui ne sont pas équipés de rouleaux, roulettes ou dispositifs analogues, sont installés conformément aux instructions du fabricant. En l'absence d'instructions, ces appareils sont considérés comme étant placés normalement sur le sol.

### 11.3 Addition:

Lorsque les **surfaces accessibles** extérieures sont suffisamment planes et permettent l'accès, le calibre d'essai de la Figure 101 est utilisé pour mesurer les échauffements des **surfaces accessibles** extérieures spécifiées dans le Tableau 101. Le calibre est appliqué avec une force de  $4\text{ N} \pm 1\text{ N}$  sur la surface de manière à établir le meilleur contact possible entre le calibre et la surface. Le mesurage est réalisé après une durée de contact de 30 s.

Le calibre peut être maintenu en place à l'aide d'une pince de laboratoire sur statif ou d'un dispositif analogue. Il est permis d'utiliser tout instrument de mesure qui produit les mêmes résultats que le calibre.

### 11.4 Remplacement:

Les appareils sont mis en fonctionnement dans les **conditions de fonctionnement normal**, la puissance totale de l'appareil étant égale à 1,15 fois la **puissance assignée**. Si l'ensemble des éléments chauffants ne peuvent pas être mis sous tension simultanément, l'essai est effectué avec chaque combinaison admise par le circuit de commutation, en appliquant la charge la plus élevée possible à chaque fois.

Si l'appareil comporte un dispositif de commande qui permet de limiter la puissance totale absorbée, l'essai est effectué avec la combinaison d'unités chauffantes qui peut être sélectionnée par le dispositif et qui donne la condition la plus défavorable.

Si les limites d'échauffement des moteurs, des transformateurs ou des **circuits électroniques** sont dépassées, l'essai est répété en alimentant l'appareil à 1,06 fois la **tension assignée**. Dans ce cas, seul l'échauffement des composants pour lesquels les limites d'échauffement ont été dépassées est mesuré.

### 11.7 Remplacement:

Les appareils sont mis en fonctionnement jusqu'à l'établissement des conditions de régime.

Les conditions de régime sont considérées comme étant établies 60 min après avoir atteint les températures spécifiées pour les **conditions de fonctionnement normal**.

Lorsqu'un appareil est assemblé en combinaison avec des accessoires ou d'autres appareils, qu'il est équipé ou qu'il incorpore de tels accessoires ou appareils, l'interaction doit être couverte s'ils sont prévus pour fonctionner simultanément selon les indications du fabricant ou par le biais d'un dispositif de commande commun.

Les moteurs des agitateurs sont mis en fonctionnement continu, à moins qu'ils ne soient équipés d'une minuterie, auquel cas ils sont mis en fonctionnement pendant la durée maximale autorisée par la minuterie, ou jusqu'à l'établissement des conditions de régime, si cette durée est la plus courte.

Les moteurs de basculement sont mis en fonctionnement immédiatement après l'établissement des conditions de régime, pendant un cycle complet de fonctionnement (c'est-à-dire un cycle partant de la position normale à la position entièrement basculée et retour à la position normale).

Les moteurs de levage sont mis en fonctionnement de façon similaire, mais pour trois cycles.

**11.8 Modification:**

Pendant l'essai, les échauffements font l'objet d'une surveillance continue et ne doivent pas dépasser les valeurs indiquées dans le Tableau 3 et le Tableau 101.

Addition:

**Tableau 101 – Echauffements maximaux pour les surfaces accessibles extérieures spécifiées en conditions de fonctionnement normal**

Surface <sup>a</sup>	Echauffement des surfaces accessibles extérieures <sup>b</sup> K
Métal nu	48
Métal recouvert <sup>c</sup>	59
Verre et céramique	65
Plastique et revêtement plastique > 0,4 mm <sup>d, e</sup>	74

<sup>a</sup> Les échauffements ne sont pas mesurés sur:

- la face inférieure des appareils destinés à être utilisés sur un plan de travail ou sur le sol;
- la surface arrière des appareils;
- les surfaces inaccessibles par un calibre de 75 mm de diamètre et à extrémité hémisphérique;
- les **surfaces fonctionnelles** et les **surfaces adjacentes**

<sup>b</sup> L'échauffement des **surfaces accessibles** extérieures situées jusqu'à une distance de 100 mm des **surfaces adjacentes** de l'appareil (voir Figure 102) peut dépasser les limites de 25 K au maximum, mais la partie concernée doit alors comporter le symbole IEC 60417-5041 (2002-10) ou le texte équivalent.

<sup>c</sup> Un métal est considéré comme recouvert lorsqu'un revêtement en émail d'une épaisseur minimale de 90 µm ou qu'un revêtement non constitué majoritairement de plastique est utilisé.

<sup>d</sup> La limite d'échauffement du plastique s'applique également aux matières plastiques dont l'épaisseur de la finition métallique est inférieure à 0,1 mm.

<sup>e</sup> Lorsque l'épaisseur du revêtement plastique ne dépasse pas 0,4 mm, les limites d'échauffement du métal recouvert s'appliquent pour le métal sous-jacent ou les limites d'échauffement du matériau en verre ou céramique s'appliquent pour le matériau en verre ou céramique sous-jacent.

**12 Charge des batteries à ions métalliques**

L'article de la Partie 1 n'est pas applicable.

**13 Courant de fuite et rigidité diélectrique à la température de régime**

L'article de la Partie 1 est applicable, avec l'exception suivante.

### 13.2 Modification:

Pour les **appareils fixes de la classe I**, les valeurs suivantes s'appliquent en lieu et place du courant de fuite admissible:

- pour les appareils raccordés par un câble et une fiche 0,75 mA ou 1 mA par kW de **puissance assignée** de l'appareil, avec une limite maximale de 10 mA, si cette valeur est supérieure;
- pour les autres appareils 0,75 mA ou 1 mA par kW de **puissance assignée** de l'appareil, sans limite maximale, si cette valeur est supérieure.

Pour les **appareils mobiles de la classe I**, les valeurs suivantes s'appliquent en lieu et place du courant de fuite admissible:

- pour les appareils raccordés par un câble et une fiche 0,75 mA ou 1 mA par kW de **puissance assignée** de l'appareil, avec une limite maximale de 10 mA, si cette valeur est supérieure.

## 14 Surtensions transitoires

L'article de la Partie 1 est applicable.

## 15 Résistance à l'humidité

L'article de la Partie 1 est applicable, avec les exceptions suivantes.

### 15.1.1 Addition:

En outre, les appareils à l'exception des appareils marqués IPX5 et IPX6 sont soumis pendant 5 min à l'essai d'éclaboussement suivant.

L'appareillage représenté à la Figure 103 est utilisé. L'appareil est placé en position normale d'emploi, et les pieds réglables doivent être réglés conformément aux instructions d'emploi sur la hauteur la plus défavorable.

Pour les appareils normalement utilisés sur le sol, le bol est placé sur le sol et est déplacé autour de l'appareil de manière à éclabousser celui-ci dans toutes les directions. Pendant l'essai, la pression de l'eau est réglée de telle sorte que l'eau rejaillisse à 150 mm au-dessus du fond du bol. Le bol n'est pas positionné sous l'appareil.

Pour tous les autres appareils, le bol est placé sur le même plan que celui où est installé l'appareil et est déplacé autour de l'appareil de manière à éclabousser celui-ci dans toutes les directions. Pendant l'essai, la pression de l'eau est réglée de telle sorte que l'eau rejaillisse à 100 mm au-dessus du fond du bol. Le bol n'est pas positionné sous l'appareil.

Il faut veiller à ce que le jet d'eau ne touche pas directement l'appareil.

### 15.1.2 Modification:

Les appareils normalement utilisés sur une table sont placés sur un support dont les dimensions dépassent de 15 cm ± 5 cm la projection orthogonale de l'appareil sur le support.

## 15.2 Addition:

*Immédiatement après cet essai, les appareils qui comportent des parties basculantes sont soumis à l'essai suivant.*

*La cuve, remplie de la solution de débordement à sa capacité assignée ou jusqu'au niveau indiqué, est ensuite basculée dans n'importe quelle position.*

**15.101** Les appareils qui comportent un robinet destiné au remplissage ou au nettoyage doivent être construits de façon à ce que l'eau du robinet ne puisse pas entrer en contact avec les **parties actives**.

*La conformité est vérifiée par l'essai suivant.*

*Le robinet est ouvert complètement pendant 1 min, l'appareil étant raccordé à un circuit d'alimentation en eau dont la pression d'eau maximale correspond à celle indiquée par le fabricant. Les parties mobiles et basculantes, y compris les couvercles, sont placées ou basculées dans la position la plus défavorable. Les extrémités pivotantes des robinets d'eau sont placées de façon à diriger l'eau sur les parties qui donnent le résultat le plus défavorable.*

*Immédiatement après ce traitement, l'appareil doit satisfaire à l'essai de rigidité diélectrique spécifié en 16.3.*

**15.102** Les appareils ou les **parties électriques amovibles** destinés à être partiellement ou complètement immergés dans l'eau pour le nettoyage doivent avoir une protection suffisante contre les effets de l'immersion.

Cette exigence s'applique également aux appareils autres que les **appareils fixes** ou aux **parties électriques amovibles** qui ne sont pas marqués d'une ligne qui indique la profondeur d'immersion maximale, ou pour lesquels les instructions ne comportent aucune mise en garde contre l'immersion partielle ou complète.

*La conformité est vérifiée par les essais suivants.*

*L'échantillon est mis en fonctionnement dans les **conditions de fonctionnement normal**, à une tension d'alimentation telle que la puissance soit égale à 1,15 fois la **puissance assignée**.*

*Lorsque les conditions de régime sont établies, le connecteur est alors enlevé ou l'alimentation est coupée d'une autre manière. L'échantillon, si applicable, est ensuite vidé immédiatement avant d'être immergé complètement dans de l'eau à une température comprise entre 10 °C et 25 °C, à moins qu'il ne soit marqué d'une ligne qui indique la profondeur d'immersion maximale, auquel cas il est immergé jusqu'à la profondeur indiquée.*

*Après 1 h d'immersion, l'échantillon est retiré de l'eau et séché, en s'assurant que l'isolation autour des broches des socles de connecteur ne comporte plus aucune trace d'humidité. Le courant de fuite est ensuite mesuré sur l'appareil assemblé comme cela est décrit en 16.2.*

*Le courant de fuite ne doit pas dépasser la valeur spécifiée en 16.2.*

*Après le traitement décrit ci-dessus et le mesurage du courant de fuite, l'échantillon doit satisfaire à l'essai de rigidité diélectrique spécifié en 16.3, en réduisant toutefois la tension d'essai à 1 000 V.*

*L'échantillon est alors mis en fonctionnement comme cela est décrit ci-dessus pendant 10 jours (240 h). Pendant cette période, on laisse refroidir l'échantillon jusqu'à la **température de la pièce** environ, cinq fois à intervalles réguliers.*

Après cette période, la prise mobile de connecteur est retirée ou l'alimentation est coupée d'une autre manière. L'échantillon est ensuite immergé immédiatement une nouvelle fois dans l'eau pendant 1 h, comme cela est décrit ci-dessus. Il est ensuite séché, puis le courant de fuite est à nouveau mesuré comme cela est décrit en 16.2.

Le courant de fuite ne doit pas dépasser la valeur spécifiée en 16.2.

L'échantillon doit ensuite satisfaire à un essai de rigidité diélectrique comme cela est spécifié ci-dessus, et l'examen doit montrer que de l'eau n'a pas pénétré en quantité significative à l'intérieur de l'appareil dans les zones, où des composants électriques sont présents.

## 16 Courant de fuite et rigidité diélectrique

L'article de la Partie 1 est applicable, avec l'exception suivante.

### 16.2 Modification:

Pour les **appareils fixes de la classe I**, les valeurs suivantes s'appliquent en lieu et place du courant de fuite admissible:

- pour les appareils raccordés par un câble et une fiche 0,75 mA ou 1 mA par kW de **puissance assignée** de l'appareil, avec une limite maximale de 10 mA, si cette valeur est supérieure;
- pour les autres appareils 0,75 mA ou 1 mA par kW de **puissance assignée** de l'appareil, sans limite maximale, si cette valeur est supérieure.

Pour les **appareils mobiles de la classe I**, les valeurs suivantes s'appliquent en lieu et place du courant de fuite admissible:

- pour les appareils raccordés par un câble et une fiche 0,75 mA ou 1 mA par kW de **puissance assignée** de l'appareil, avec une limite maximale de 10 mA, si cette valeur est supérieure.

Addition:

Pour les appareils qui sont équipés d'un socle de connecteur et qui sont destinés à être partiellement ou complètement immergés dans l'eau pour le nettoyage, le socle de connecteur peut être séché, au moyen de papier buvard par exemple, avant d'appliquer la tension d'essai si l'appareil ne satisfait pas à cet essai.

## 17 Protection contre la surcharge des transformateurs et des circuits associés

L'article de la Partie 1 est applicable.

## 18 Endurance

L'article de la Partie 1 est applicable.

## 19 Fonctionnement anormal

L'article de la Partie 1 est applicable, avec les exceptions suivantes.

**19.1 Addition:**

*La conformité est également vérifiée par l'essai du 19.101.*

*Un dispositif de commande ou de coupure destiné à différents réglages qui correspondent aux différentes fonctions d'une même partie de l'appareil est, en outre, placé sur le réglage le plus défavorable, sans tenir compte des instructions du fabricant.*

**19.2 Addition:**

*Les dispositifs de commande sont réglés sur le réglage maximal.*

**19.4 Addition:**

*Tout dispositif de commande de température ou de pression réglable située à l'intérieur de l'appareil qui est pré-réglé pour un fonctionnement correct, mais qui n'est pas verrouillé dans sa position, est réglé à la position la plus défavorable.*

**19.101** *Les appareils équipés d'un dispositif limiteur de pression lors des essais de l'Article 11 sont également soumis aux essais du 19.4, ce dispositif de commande étant rendu inopérant.*

*Pendant cet essai, le fonctionnement du dispositif limiteur de pression est admis.*

**20 Stabilité et dangers mécaniques**

L'article de la Partie 1 est applicable, avec les exceptions suivantes.

**20.1 Modification:**

*L'essai avec l'angle d'inclinaison porté à 15° n'est pas effectué.*

**20.2 Addition:**

*Ajouter le texte suivant après le premier alinéa de l'exigence.*

Cela s'applique également aux parties nécessaires pour accomplir le mouvement de basculement, c'est-à-dire les poignées ou volants manuels.

**20.101** Les **sauteuses** qui comportent des parties mobiles destinées à agiter, mélanger, etc., dont l'énergie cinétique est supérieure à 200 J, doivent être équipées d'un verrouillage qui arrête les parties mobiles lorsque le couvercle ou le protecteur est ouvert de plus de 50 mm.

Il ne doit pas être possible de neutraliser le verrouillage à l'aide du calibre d'essai B de l'IEC 61032 avec une force de 5 N.

A défaut, si la vitesse périphérique des parties mobiles destinées à des actions telles que le mélange et l'agitation ne dépasse pas 1 m/s, l'appareil peut être équipé d'un verrouillage ou d'un dispositif similaire, qui peut être manœuvré facilement par l'utilisateur sans l'aide de ses mains. Le verrouillage ou le dispositif doit être sans réarmement automatique et doit assurer une **coupure omnipolaire** de l'alimentation.

*La conformité est vérifiée par examen, par un mesurage, par la manœuvre du système de verrouillage et par un essai manuel.*

## 21 Résistance mécanique

L'article de la Partie 1 est applicable.

## 22 Construction

L'article de la Partie 1 est applicable, avec les exceptions suivantes.

### 22.7 Remplacement:

Les **sauteuses** dans lesquelles le récipient fonctionne à une pression supérieure à la pression atmosphérique (surpression) doivent être équipées d'un dispositif limiteur de pression adéquat pour protéger l'appareil contre les pressions excessives.

*La conformité est vérifiée en mettant en fonctionnement l'appareil à la **puissance assignée**, les dispositifs de commande de la pression étant rendus inopérants.*

*Le dispositif limiteur de pression doit fonctionner pendant cet essai de façon à empêcher la pression interne de dépasser la **pression assignée** de plus de 20 %.*

**22.101** Pour les appareils multiphasés, les **coupe-circuits thermiques** qui protègent les circuits équipés d'éléments chauffants ainsi que les moteurs dont le démarrage intempestif peut engendrer un danger doivent être de type sans réarmement automatique et à déclenchement libre, et doivent assurer une **coupure omnipolaire** des circuits d'alimentation associés.

Pour les appareils monophasés et pour les éléments chauffants monophasés et/ou les moteurs raccordés entre un conducteur de phase et le conducteur de neutre ou entre phases, les **coupe-circuits thermiques** qui protègent les circuits équipés d'éléments chauffants ainsi que les moteurs dont le démarrage intempestif peut engendrer un danger doivent être sans réarmement automatique et à déclenchement libre, et doivent assurer au moins la coupure d'un pôle.

Si le **coupe-circuit thermique sans réarmement automatique** est accessible uniquement après avoir déposé des pièces à l'aide d'un **outil**, le type à déclenchement libre n'est pas exigé.

NOTE Une action à déclenchement libre est une action automatique indépendante de la manipulation ou de la position de l'organe de manœuvre.

Les **coupe-circuits thermiques** à bulbe et à capillaire qui fonctionnent pendant les essais de l'Article 19 doivent être tels que la rupture du capillaire ne doit pas compromettre la conformité aux exigences du 19.13.

*La vérification est effectuée par examen, par un essai manuel et par la rupture du tube capillaire de telle manière que la rupture ne scelle pas le tube.*

**22.102** Les lampes, interrupteurs ou boutons-poussoirs qui indiquent un danger, une alarme ou des situations similaires doivent être de couleur rouge.

*La conformité est vérifiée par examen.*

**22.103** Les appareils doivent être construits de façon à empêcher le débordement ou l'éclaboussement de l'huile chaude sur les parties dont la température en usage normal est supérieure à 300 °C.

*La conformité est vérifiée par examen après l'essai du 15.2.*

**22.104** Les appareils qui comportent des cuves basculantes doivent être équipés d'un mécanisme destiné à éviter un basculement accidentel à partir d'une position. Il ne doit pas être possible d'influencer de manière négative l'action de basculement autrement que par le moyen prévu.

Les dispositifs de commande utilisés pour actionner le mécanisme doivent être placés et protégés de façon à ce qu'ils ne puissent pas être manœuvrés accidentellement.

*La conformité est vérifiée par examen et en appliquant une force de 340 N en tout point de la cuve.*

**22.105** Les appareils équipés de cuves basculantes doivent être construits de façon à ce que, lorsque la cuve est inclinée selon un angle supérieur à 12° par rapport à l'horizontale, l'alimentation électrique des éléments chauffants se coupe automatiquement.

*La conformité est vérifiée par examen et par un mesurage.*

**22.106** Les couvercles à charnières doivent être protégés contre une fermeture accidentelle.

*La conformité est vérifiée par examen et par un essai manuel.*

**22.107** La face inférieure des **appareils mobiles** ne doit pas comporter d'ouvertures qui permettraient à de petits éléments de pénétrer et de toucher les **parties actives**.

*La conformité est vérifiée par examen et par le mesurage de la distance entre la surface d'appui et les **parties actives** à travers les ouvertures. Cette distance doit être d'au moins 6 mm. Cependant, si l'appareil est équipé de pieds, cette distance est portée à 10 mm pour les appareils conçus pour être placés sur une table et à 20 mm pour les appareils conçus pour être placés sur le sol.*

**22.108** Le bord des sauteuses basculantes doit être conçu de telle sorte que le liquide se déverse en un flux régulier.

*La conformité est vérifiée par un essai manuel.*

**22.109** Les paniers et les dispositifs de levage ou de basculement doivent être construits de manière à assurer leur maintien en place dans n'importe quelle position et à pouvoir les manipuler en toute sécurité. Le mécanisme d'entraînement doit se désengager ou s'arrêter automatiquement en fin de course.

*La conformité est vérifiée par examen et par un essai manuel.*

**22.110** Les couvercles et leurs poignées doivent être construits de façon à éviter des brûlures par la vapeur lors de leur ouverture ou fermeture.

*La conformité est vérifiée par examen.*

**22.111** Le dispositif limiteur de pression doit être construit ou placé de telle sorte que son fonctionnement n'occasionne pas de blessure pour les personnes ni de dégâts à l'environnement. Sa construction doit être telle qu'il ne puisse pas être rendu inopérant ni réglé à une pression de décharge supérieure sans l'aide d'un outil spécial.

*La conformité est vérifiée par examen.*