

# INTERNATIONAL STANDARD

## NORME INTERNATIONALE

BASIC EMC PUBLICATION

PUBLICATION FONDAMENTALE EN CEM

**Electromagnetic compatibility (EMC) –  
Part 4-14: Testing and measurement techniques – Voltage fluctuation immunity  
test for equipment with input current not exceeding 16 A per phase**

**Compatibilité électromagnétique (CEM) –  
Partie 4-14: Techniques d'essai et de mesure – Essai d'immunité aux  
fluctuations de tension pour le matériel dont le courant d'entrée est inférieur ou  
égal à 16 A par phase**





## THIS PUBLICATION IS COPYRIGHT PROTECTED

Copyright © 2009 IEC, Geneva, Switzerland

All rights reserved. Unless otherwise specified, no part of this publication may be reproduced or utilized in any form or by any means, electronic or mechanical, including photocopying and microfilm, without permission in writing from either IEC or IEC's member National Committee in the country of the requester.

If you have any questions about IEC copyright or have an enquiry about obtaining additional rights to this publication, please contact the address below or your local IEC member National Committee for further information.

Droits de reproduction réservés. Sauf indication contraire, aucune partie de cette publication ne peut être reproduite ni utilisée sous quelque forme que ce soit et par aucun procédé, électronique ou mécanique, y compris la photocopie et les microfilms, sans l'accord écrit de la CEI ou du Comité national de la CEI du pays du demandeur.

Si vous avez des questions sur le copyright de la CEI ou si vous désirez obtenir des droits supplémentaires sur cette publication, utilisez les coordonnées ci-après ou contactez le Comité national de la CEI de votre pays de résidence.

IEC Central Office  
3, rue de Varembe  
CH-1211 Geneva 20  
Switzerland  
Email: [inmail@iec.ch](mailto:inmail@iec.ch)  
Web: [www.iec.ch](http://www.iec.ch)

### About the IEC

The International Electrotechnical Commission (IEC) is the leading global organization that prepares and publishes International Standards for all electrical, electronic and related technologies.

### About IEC publications

The technical content of IEC publications is kept under constant review by the IEC. Please make sure that you have the latest edition, a corrigenda or an amendment might have been published.

- Catalogue of IEC publications: [www.iec.ch/searchpub](http://www.iec.ch/searchpub)

The IEC on-line Catalogue enables you to search by a variety of criteria (reference number, text, technical committee,...). It also gives information on projects, withdrawn and replaced publications.

- IEC Just Published: [www.iec.ch/online\\_news/justpub](http://www.iec.ch/online_news/justpub)

Stay up to date on all new IEC publications. Just Published details twice a month all new publications released. Available on-line and also by email.

- Electropedia: [www.electropedia.org](http://www.electropedia.org)

The world's leading online dictionary of electronic and electrical terms containing more than 20 000 terms and definitions in English and French, with equivalent terms in additional languages. Also known as the International Electrotechnical Vocabulary online.

- Customer Service Centre: [www.iec.ch/webstore/custserv](http://www.iec.ch/webstore/custserv)

If you wish to give us your feedback on this publication or need further assistance, please visit the Customer Service Centre FAQ or contact us:

Email: [csc@iec.ch](mailto:csc@iec.ch)  
Tel.: +41 22 919 02 11  
Fax: +41 22 919 03 00

### A propos de la CEI

La Commission Electrotechnique Internationale (CEI) est la première organisation mondiale qui élabore et publie des normes internationales pour tout ce qui a trait à l'électricité, à l'électronique et aux technologies apparentées.

### A propos des publications CEI

Le contenu technique des publications de la CEI est constamment revu. Veuillez vous assurer que vous possédez l'édition la plus récente, un corrigendum ou amendement peut avoir été publié.

- Catalogue des publications de la CEI: [www.iec.ch/searchpub/cur\\_fut-f.htm](http://www.iec.ch/searchpub/cur_fut-f.htm)

Le Catalogue en-ligne de la CEI vous permet d'effectuer des recherches en utilisant différents critères (numéro de référence, texte, comité d'études,...). Il donne aussi des informations sur les projets et les publications retirées ou remplacées.

- Just Published CEI: [www.iec.ch/online\\_news/justpub](http://www.iec.ch/online_news/justpub)

Restez informé sur les nouvelles publications de la CEI. Just Published détaille deux fois par mois les nouvelles publications parues. Disponible en-ligne et aussi par email.

- Electropedia: [www.electropedia.org](http://www.electropedia.org)

Le premier dictionnaire en ligne au monde de termes électroniques et électriques. Il contient plus de 20 000 termes et définitions en anglais et en français, ainsi que les termes équivalents dans les langues additionnelles. Egalement appelé Vocabulaire Electrotechnique International en ligne.

- Service Clients: [www.iec.ch/webstore/custserv/custserv\\_entry-f.htm](http://www.iec.ch/webstore/custserv/custserv_entry-f.htm)

Si vous désirez nous donner des commentaires sur cette publication ou si vous avez des questions, visitez le FAQ du Service clients ou contactez-nous:

Email: [csc@iec.ch](mailto:csc@iec.ch)  
Tél.: +41 22 919 02 11  
Fax: +41 22 919 03 00

# INTERNATIONAL STANDARD

## NORME INTERNATIONALE

BASIC EMC PUBLICATION  
PUBLICATION FONDAMENTALE EN CEM

**Electromagnetic compatibility (EMC) –  
Part 4-14: Testing and measurement techniques – Voltage fluctuation immunity  
test for equipment with input current not exceeding 16 A per phase**

**Compatibilité électromagnétique (CEM) –  
Partie 4-14: Techniques d'essai et de mesure – Essai d'immunité aux  
fluctuations de tension pour le matériel dont le courant d'entrée est inférieur ou  
égal à 16 A par phase**

INTERNATIONAL  
ELECTROTECHNICAL  
COMMISSION

COMMISSION  
ELECTROTECHNIQUE  
INTERNATIONALE

## CONTENTS

FOREWORD.....	3
INTRODUCTION.....	5
1 Scope.....	6
2 Normative references.....	6
3 General.....	6
3.1 Effects of voltage fluctuations.....	6
3.2 Sources.....	7
4 Definitions.....	7
5 Test levels.....	7
6 Test equipment.....	8
6.1 Test generator.....	8
6.2 Characteristics and performance of the test generator.....	9
6.3 Verification of the test generator.....	9
7 Test set-up.....	9
8 Test procedure.....	9
8.1 Climatic conditions.....	10
8.2 Execution of the test.....	10
9 Evaluation of test results.....	10
10 Test report.....	11
Annex A (informative) Electromagnetic environment classes.....	16
Bibliography.....	17
Figure 1a – Test diagram.....	12
Figure 1b – Example of a voltage step for falling voltage.....	13
Figure 1c – Example of a voltage step for rising voltage.....	13
Figure 1d – Example of a complete voltage fluctuation.....	14
Figure 1 – Example of test sequences of voltage fluctuations.....	14
Figure 2 – Example of successive applications of voltage fluctuations.....	14
Figure 3 – Schematic (single-phase) of test instrumentation for voltage fluctuations, with power amplifier.....	15
Figure 4 – Example of test generator verification load.....	15
Table 1 – Test levels.....	8
Table 2 – Characteristics of the test generator.....	9

## INTERNATIONAL ELECTROTECHNICAL COMMISSION

### ELECTROMAGNETIC COMPATIBILITY (EMC) –

#### Part 4-14: Testing and measurement techniques – Voltage fluctuation immunity test for equipment with input current not exceeding 16 A per phase

### FOREWORD

- 1) The International Electrotechnical Commission (IEC) is a worldwide organization for standardization comprising all national electrotechnical committees (IEC National Committees). The object of IEC is to promote international co-operation on all questions concerning standardization in the electrical and electronic fields. To this end and in addition to other activities, IEC publishes International Standards, Technical Specifications, Technical Reports, Publicly Available Specifications (PAS) and Guides (hereafter referred to as "IEC Publication(s)"). Their preparation is entrusted to technical committees; any IEC National Committee interested in the subject dealt with may participate in this preparatory work. International, governmental and non-governmental organizations liaising with the IEC also participate in this preparation. IEC collaborates closely with the International Organization for Standardization (ISO) in accordance with conditions determined by agreement between the two organizations.
- 2) The formal decisions or agreements of IEC on technical matters express, as nearly as possible, an international consensus of opinion on the relevant subjects since each technical committee has representation from all interested IEC National Committees.
- 3) IEC Publications have the form of recommendations for international use and are accepted by IEC National Committees in that sense. While all reasonable efforts are made to ensure that the technical content of IEC Publications is accurate, IEC cannot be held responsible for the way in which they are used or for any misinterpretation by any end user.
- 4) In order to promote international uniformity, IEC National Committees undertake to apply IEC Publications transparently to the maximum extent possible in their national and regional publications. Any divergence between any IEC Publication and the corresponding national or regional publication shall be clearly indicated in the latter.
- 5) IEC provides no marking procedure to indicate its approval and cannot be rendered responsible for any equipment declared to be in conformity with an IEC Publication.
- 6) All users should ensure that they have the latest edition of this publication.
- 7) No liability shall attach to IEC or its directors, employees, servants or agents including individual experts and members of its technical committees and IEC National Committees for any personal injury, property damage or other damage of any nature whatsoever, whether direct or indirect, or for costs (including legal fees) and expenses arising out of the publication, use of, or reliance upon, this IEC Publication or any other IEC Publications.
- 8) Attention is drawn to the Normative references cited in this publication. Use of the referenced publications is indispensable for the correct application of this publication.
- 9) Attention is drawn to the possibility that some of the elements of this IEC Publication may be the subject of patent rights. IEC shall not be held responsible for identifying any or all such patent rights.

International Standard IEC 61000-4-14 has been prepared by subcommittee 77A: Low frequency phenomena, of IEC technical committee 77: Electromagnetic compatibility.

This standard forms part 4-14 of IEC 61000 series. It has the status of basic EMC publication in accordance with IEC Guide 107.

This consolidated version of IEC 61000-4-14 consists of the first edition (1999) [documents 77A/263/FDIS and 77A/268/RVD], its amendment 1 (2001) [documents 77B/291+293/FDIS and 77B/298+300/RVD] and its amendment 2 (2009) [documents 77A/669/CDV and 77A/685/RVC].

The technical content is therefore identical to the base edition and its amendments and has been prepared for user convenience.

It bears the edition number 1.2.

A vertical line in the margin shows where the base publication has been modified by amendments 1 and 2.

The committee has decided that the contents of the base publication and its amendments will remain unchanged until the maintenance result date indicated on the IEC web site under "<http://webstore.iec.ch>" in the data related to the specific publication. At this date, the publication will be

- reconfirmed,
- withdrawn,
- replaced by a revised edition, or
- amended.

IECNORM.COM : Click to view the full PDF of IEC 61000-4-14:1999+AMD1:2001+AMD2:2009 CSV

## INTRODUCTION

IEC 61000 is published in separate parts according to the following structure:

### Part 1: General

- General considerations (introduction, fundamental principles)
- Definitions, terminology

### Part 2: Environment

- Description of the environment
- Classification of the environment
- Compatibility levels

### Part 3: Limits

- Emission limits
- Immunity limits (insofar as these limits do not fall under the responsibility of the product committees)

### Part 4: Testing and measurement techniques

- Measurement techniques
- Testing techniques

### Part 5: Installation and mitigation guidelines

- Installation guidelines
- Mitigation methods and devices

### Part 6: Generic standards

### Part 9: Miscellaneous

Each part is further subdivided into several parts, published either as International Standards, or as technical reports, some of which have already been published as sections. Others will be published with the part number followed by a dash and a second number identifying the subdivision (example 61000-6-1).

## ELECTROMAGNETIC COMPATIBILITY (EMC) –

### Part 4-14: Testing and measurement techniques – Voltage fluctuation immunity test for equipment with input current not exceeding 16 A per phase

#### 1 Scope

This part of IEC 61000 is a basic electromagnetic compatibility (EMC) publication. It considers immunity tests for electrical and/or electronic equipment in their electromagnetic environment. Only conducted phenomena are considered, including immunity tests for equipment connected to public and industrial power supply networks.

This part aims to establish a reference for evaluating the immunity of electric and electronic equipment when subjected to positive and negative low amplitude voltage fluctuations.

The voltage fluctuations considered by this standard do not include flicker, which is a physiological phenomenon due to lighting luminance fluctuations.

This standard applies to electrical and/or electronic equipment that have a rated input current up to 16 A per phase. It does not apply to electrical and/or electronic equipment connected to d.c. or a.c. 400 Hz distribution networks. Tests concerning these networks will be covered by other IEC standards.

The immunity test levels required for a specific electromagnetic environment, together with the performance criteria, are indicated in the product, product family or generic standards as applicable. However, most product groups do not have a history of being susceptible to voltage fluctuations. Consequently, testing for these phenomena is often not required.

#### 2 Normative references

The following referenced documents are indispensable for the application of this document. For dated references, only the edition cited applies. For undated references, the latest edition of the referenced document (including any amendments) applies.

IEC 60050(161), *International Electrotechnical Vocabulary (IEV) – Chapter 161: Electromagnetic compatibility*

IEC 60068-1, *Environmental testing – Part 1: General and guidance*

IEC 61000-2-4, *Electromagnetic compatibility (EMC) – Part 2: Environment – Section 4: Compatibility levels in industrial plants for low-frequency conducted disturbances*

#### 3 General

##### 3.1 Effects of voltage fluctuations

Electrical and electronic equipment may be affected by voltage fluctuations. Examples of these effects include the following:

- degradation of performances in equipment using storage devices (e.g. capacitors);
- loss of function in control systems;

- instability of internal voltages and currents in equipment;
- increased ripple.

### 3.2 Sources

There is a significant number of domestic appliances in the low-voltage network. However, fluctuations caused by these appliances are not generally significant.

Fluctuations are mainly produced by

- a) continuously but randomly varying large loads such as:
  - 1) resistance welding machines;
  - 2) rolling mills;
  - 3) large motors with varying loads;
  - 4) arc furnaces;
  - 5) arc welding plant;
- b) single on/off switching of loads (e.g. motors);
- c) step voltage changes (due to tap voltage regulators of transformers).

These industrially produced fluctuations can affect a large number of consumers. Such equipment operates continuously or infrequently. The public supply network impedance has wide variations, consequently the transmission of the disturbances will be different for different networks.

## 4 Definitions

For the purpose of this part of IEC 61000, the following definitions and terms apply. They are applicable only to the field of voltage fluctuations; not all of them are included in IEC 60050(161).

### 4.1

#### immunity

ability of a device, equipment or system to perform without degradation of performance in the presence of an electromagnetic disturbance [IEV 161-01-20]

### 4.2

#### voltage fluctuations

series of voltage changes or a cyclic variation of the voltage envelope [IEV 161-08-05]

## 5 Test levels

This test may apply to all equipment intended for connection to public networks, industrial networks and electricity plants that are likely to be sensitive to this type of disturbance.

It can be assumed that step voltage changes are the most disturbing type of voltage fluctuations.

The equipment under test (EUT) is initially operated using a steady supply voltage and is then subjected to repetitive step voltage changes according to figure 1a.

The initial voltage is set to

$$U_n, U_n - 10 \% U_n, U_n + 10 \% U_n$$

NOTE  $U_n$  is the nominal voltage.

The magnitude of the voltage steps is chosen as follows:

Class 1: no test required.

Class 2:  $\Delta U = 8 \% U_n$  for equipment intended for connection to public networks or other lightly disturbed networks. This test level is specified for class 2.

Class 3:  $\Delta U = 12 \% U_n$  for equipment connected to heavily disturbed networks (i.e. industrial networks). This test level is specified for class 3.

Classes 1, 2 and 3 are defined in annex A.

Table 1 gives the test levels for the different initial voltages:

$$U_n, U_n - 10 \% U_n, U_n + 10 \% U_n$$

**Table 1 – Test levels**

Class	$U_n$	$U_n - 10 \% U_n$	$U_n + 10 \% U_n$
1	No test required		
2	$\Delta U = \pm 8 \% U_n$	$\Delta U = +8 \% U_n$	$\Delta U = -8 \% U_n$
3	$\Delta U = \pm 12 \% U_n$	$\Delta U = +12 \% U_n$	$\Delta U = -12 \% U_n$
x	x	x	x
NOTE The levels for class "x" are open.			

The repetition period  $T$  and the duration  $t$  of the voltage fluctuations are specified as  $T = 5$  s and  $t = 2$  s (see Figure 1d).

The changes from the initial voltage to the test voltage, or from the test voltage back to the initial voltage are achieved through five successive voltage steps in five consecutive cycles of the mains supply, see Figure 1d. Each voltage step is of  $\Delta U/5$  and occurs over  $\pi/2$  radians of the period of the nominal frequency,  $f_n$ , (e.g. 5 ms for 50 Hz) see Figure 1b and Figure 1c.

For falling voltage changes, the voltage step begins at phase angle  $\varphi = 270^\circ$  and finishes at  $\varphi = 360^\circ$ , see Figure 1b.

For rising voltage changes, the voltage step begins at phase angle  $\varphi = 180^\circ$  and finishes at  $\varphi = 270^\circ$ , see Figure 1c.

x is an open test level. This value may be defined by the product standard in order to cover situations other than the normal operating conditions of the network.

All of the levels can be proposed by the product committee, but for equipment for use in public supply systems, the values shall not be lower than those specified for class 2.

NOTE The upper and lower voltage operation limits defined by the product manufacturer should not be exceeded.

## 6 Test equipment

### 6.1 Test generator

The generator used for the test shall have provisions to prevent the emission of heavy disturbances which, if injected into the power supply network, may influence the test results.

## 6.2 Characteristics and performance of the test generator

**Table 2 – Characteristics of the test generator**

Output voltage capability	$U_n \pm 15 \%$
Voltage accuracy	$\pm 1 \%$
Zero crossing accuracy	250 $\mu$ s at zero voltage crossover
Output current capability	The generator shall be able to supply enough current according to the type of EUT in the test voltage range.
Overshoot/undershoot of the actual voltage	Less than 5 % of the change in voltage
Voltage rise (and fall) time during switching	Under 1 ms
Maximum interphase error (three-phase power supply)	2,5°
Frequency accuracy	2,5 % of $f_n$ (50 Hz or 60 Hz)
NOTE The generator with a power amplifier specified in IEC 61000-4-11 is suitable for this test. An over-voltage capability of $U_n + 15 \%$ is necessary.	

## 6.3 Verification of the test generator

Test generators with different output power capabilities may be used.

The test generator shall be verified that it complies with the characteristics and specifications listed in Table 2.

Performance of the test generator shall be verified with a resistive load drawing an r.m.s. current of no more than the output capability of the generator. For example, a 230 V/16 A generator shall be verified with a 14,3  $\Omega$  load.

In addition, the generator's output current capability shall be verified as being able to provide a crest factor of at least 3 when  $U_n$  is applied to a single phase load drawing an r.m.s. current of no more than the output capability of the generator. Each output phase of the generator shall be verified in turn. An example of a suitable 230 V/16 A verification load is given in Figure 4.

## 7 Test set-up

Figure 3 shows the test configuration for mains supply simulation.

Waveform generators and power amplifiers may be used.

Tests on three-phase EUT are carried out using three synchronised generators.

## 8 Test procedure

Before starting the test of a given equipment, a test plan shall be prepared.

It is recommended that the test plan include the following:

- description of the EUT;
- information on possible connections (plugs, terminals, etc.) and corresponding cables and peripherals;
- input power port of the EUT;
- representative operational modes of the EUT for the test;

- performance criteria used and defined in the technical specifications;
- description of the test set-up.

If the actual operating signal sources are not available to the EUT, they may be simulated.

For each test, any degradation of performance shall be recorded. The monitoring equipment should be capable of displaying the status of the operational mode of the EUT during and after the tests. After each group of tests, a full functional check shall be performed.

### 8.1 Climatic conditions

Unless otherwise specified by the committee responsible for the generic or product standard, the climatic conditions in the laboratory shall be within any limits specified for the operation of the EUT and the test equipment by their respective manufacturers.

Tests shall not be performed if the relative humidity is so high as to cause condensation on the EUT or the test equipment.

NOTE Where it is considered that there is sufficient evidence to demonstrate that the effects of the phenomenon covered by this standard are influenced by climatic conditions, this should be brought to the attention of the committee responsible for this standard.

### 8.2 Execution of the test

The EUT shall be tested for each selected combination of test level and duration with a series of three sequences of voltage fluctuations, with intervals of two times 60 s minimum between the voltage fluctuation sequences (see figure 2). Each representative mode of operation shall be tested.

The test duration shall be determined by the product committee.

In the case of a three-phase apparatus, all three phases shall be tested at the same time. The voltage steps are made phase by phase at the same phase angle,  $\varphi$ , and not simultaneously on the three phases.

## 9 Evaluation of test results

The test results shall be classified in terms of the loss of function or degradation of performance of the equipment under test, relative to a performance level defined by its manufacturer or the requestor of the test, or agreed between the manufacturer and the purchaser of the product. The recommended classification is as follows:

- a) normal performance within limits specified by the manufacturer, requestor or purchaser;
- b) temporary loss of function or degradation of performance which ceases after the disturbance ceases, and from which the equipment under test recovers its normal performance, without operator intervention;
- c) temporary loss of function or degradation of performance, the correction of which requires operator intervention;
- d) loss of function or degradation of performance which is not recoverable, owing to damage to hardware or software, or loss of data.

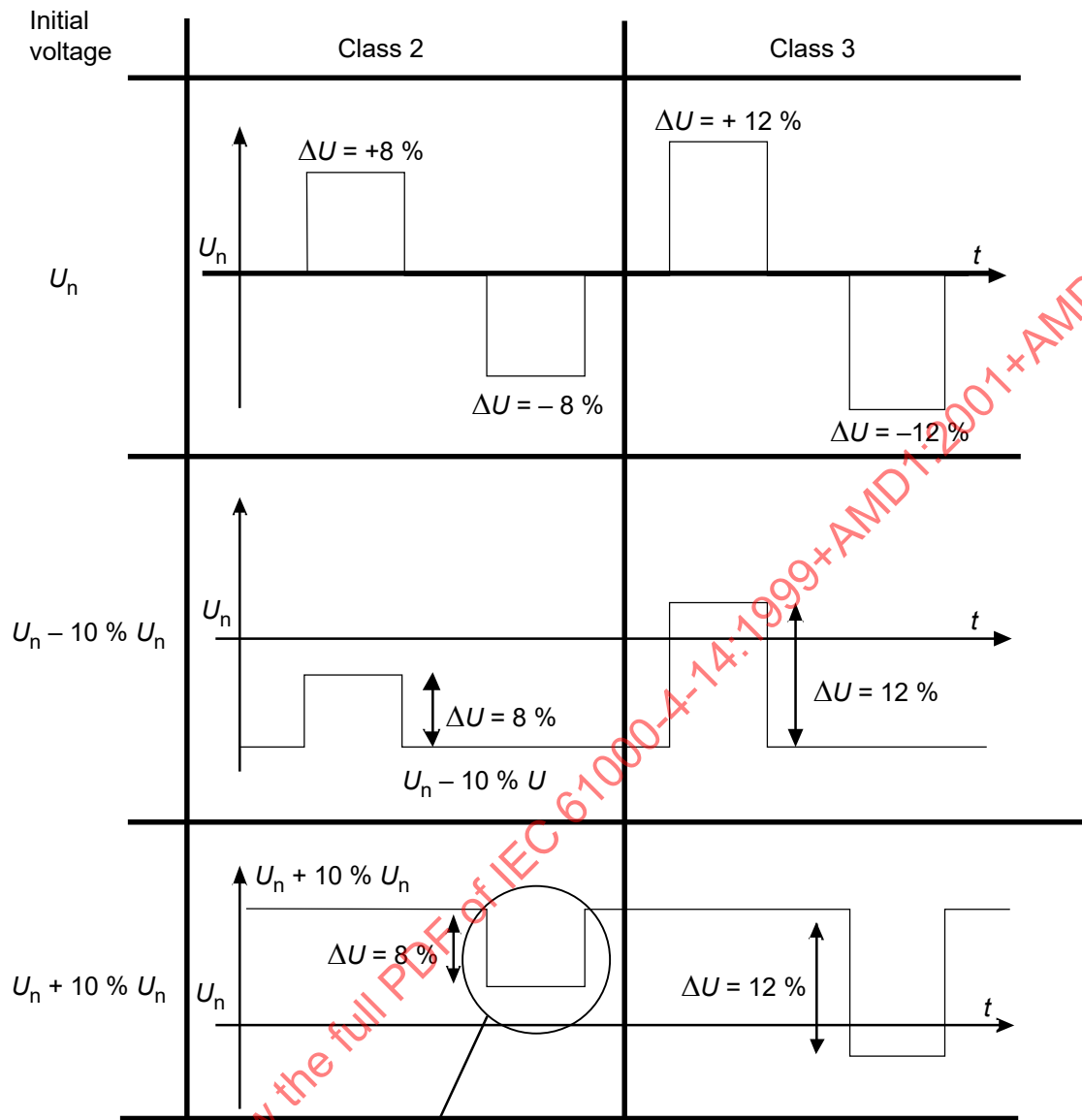
The manufacturer's specification may define effects on the EUT which may be considered insignificant, and therefore acceptable.

This classification may be used as a guide in formulating performance criteria, by committees responsible for generic, product and product-family standards, or as a framework for the agreement on performance criteria between the manufacturer and the purchaser, for example where no suitable generic, product or product-family standard exists.

## 10 Test report

The test report shall contain all the information necessary to reproduce the test. In particular, the following shall be recorded:

- the items specified in the test plan required by clause 8 of this standard;
- identification of the EUT and any associated equipment, for example, brand name, product type, serial number;
- identification of the test equipment, for example, brand name, product type, serial number;
- any special environmental conditions in which the test was performed, for example, shielded enclosure;
- any specific conditions necessary to enable the test to be performed;
- performance level defined by the manufacturer, requestor or purchaser;
- performance criterion specified in the generic, product or product-family standard;
- any effects on the EUT observed during or after the application of the test disturbance, and the duration for which these effects persist;
- the rationale for the pass/fail decision (based on the performance criterion specified in the generic, product or product-family standard, or agreed between the manufacturer and the purchaser);
- any specific conditions of use, for example cable length or type, shielding or grounding, or EUT operating conditions, which are required to achieve compliance.

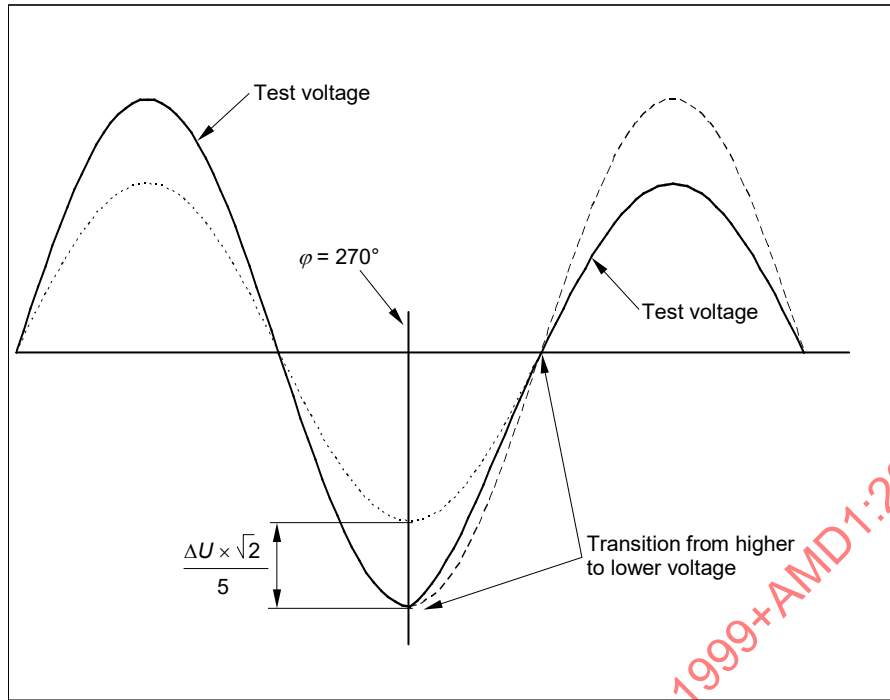


See figures 1b and 1c

IEC 239/99

Figure 1a - Test diagram

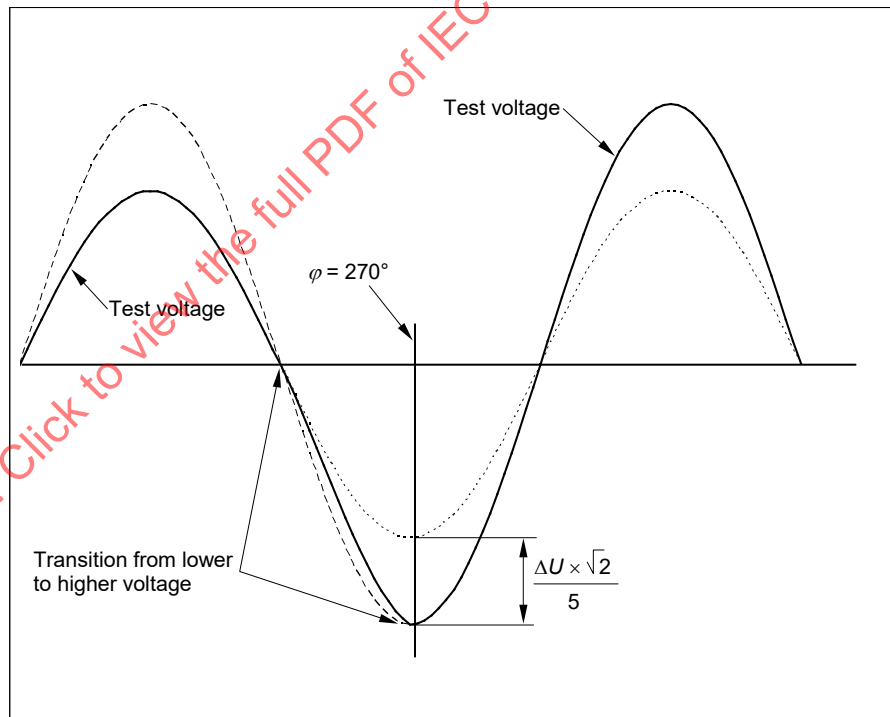
IECNORM.COM : Click to view the full PDF of IEC 61000-4-14:1999+AMD1:2001+AMD2:2009 CSV



IEC 671/09

NOTE  $\Delta U$  is r.m.s., this figure shows instantaneous voltage.

Figure 1b – Example of a voltage step for falling voltage



IEC 672/09

NOTE  $\Delta U$  is r.m.s., this figure shows instantaneous voltage.

Figure 1c – Example of a voltage step for rising voltage

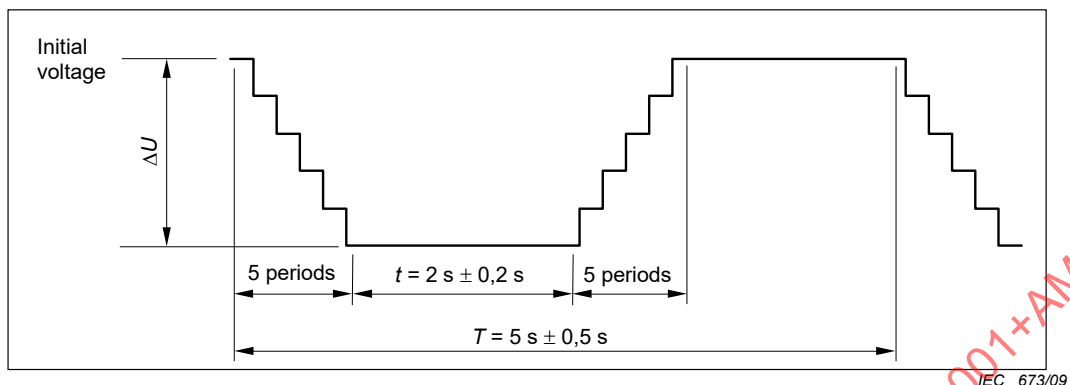


Figure 1d – Example of a complete voltage fluctuation

Figure 1 – Example of test sequences of voltage fluctuations

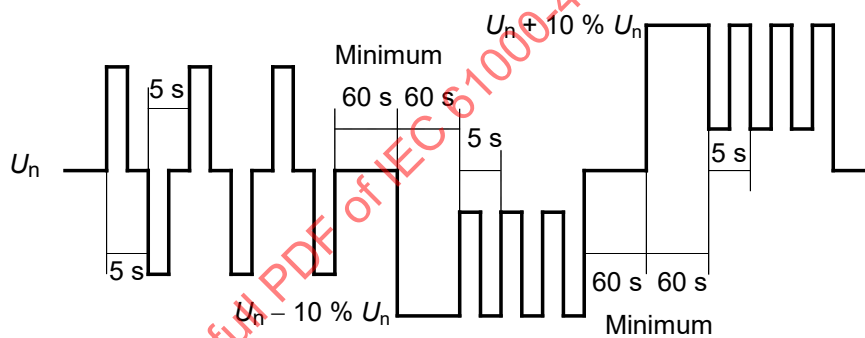
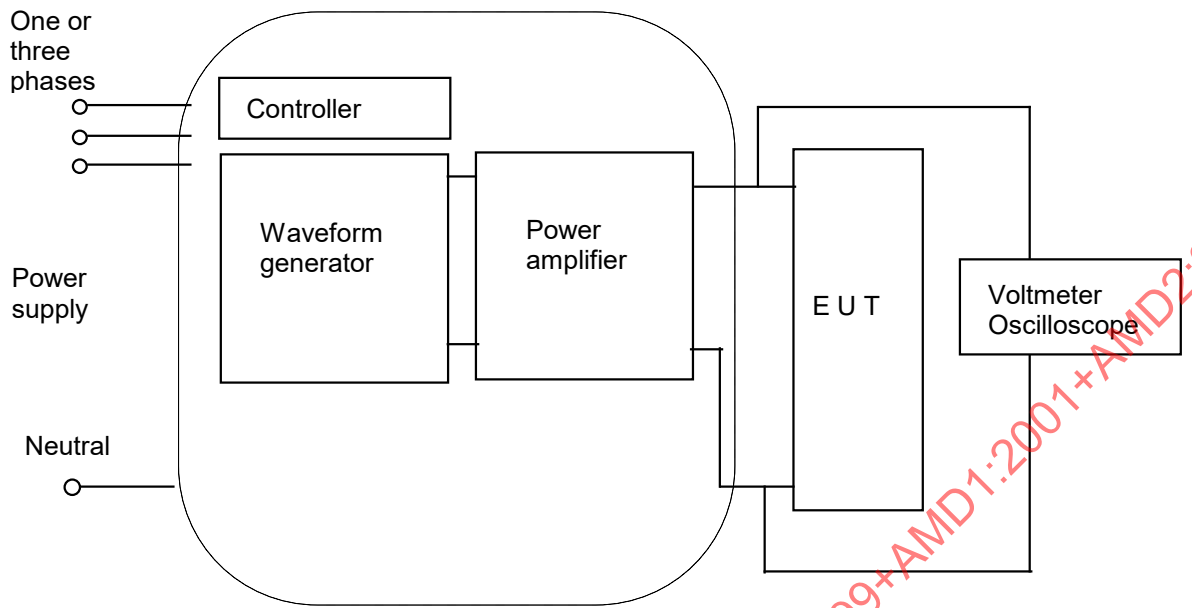
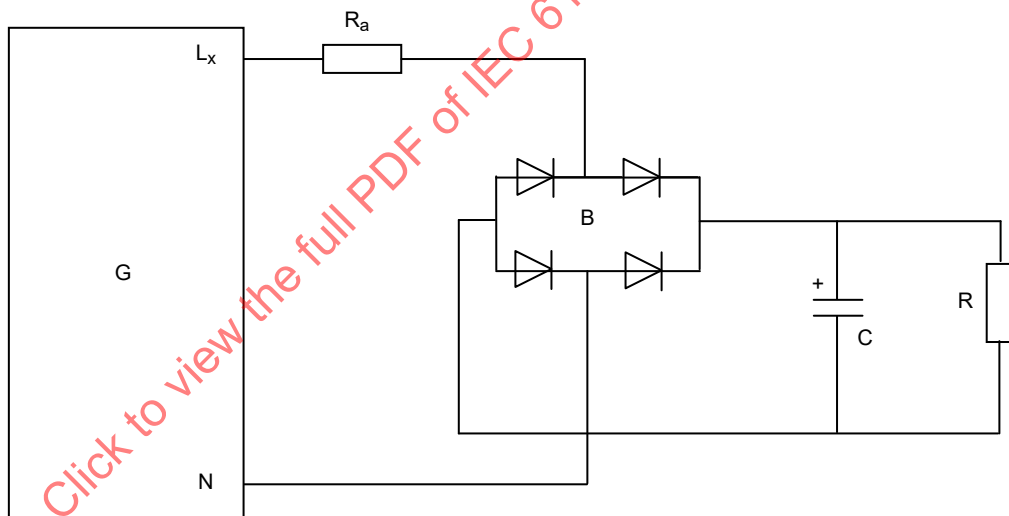


Figure 2 – Example of successive applications of voltage fluctuations



IEC 243/99

**Figure 3 – Schematic (single-phase) of test instrumentation for voltage fluctuations, with power amplifier**



IEC 674/09

**Components**

- G Test generator
- B Bridge rectifier
- C 11 000  $\mu\text{F} \pm 20\%$  electrolytic capacitor
- R 61  $\Omega \pm 1\%$  resistor
- R<sub>a</sub> Additional resistor.

NOTE R<sub>a</sub> shall be selected so that the total series resistance (sum of the additional resistor R<sub>a</sub>, the wiring resistance R<sub>wire</sub>, the internal resistance of two conducting diodes R<sub>diodes</sub> and the internal resistance of the capacitor R<sub>C</sub>) is 92 m $\Omega$  ( $\pm 10\%$ ).

**Figure 4 – Example of test generator verification load**

## Annex A (informative)

### Electromagnetic environment classes

The following classes of electromagnetic environment have been summarised from IEC 61000-2-4.

#### Class 1

Class 1 applies to protected supplies and has compatibility levels lower than public network levels. It relates to the use of equipment which is very sensitive to disturbances in the power supply, for instance the instrumentation of technological laboratories, some automation and protection equipment, some computers, etc.

NOTE 1 Class 1 environments normally contain equipment which requires protection by such apparatus as uninterruptible power supplies (UPS), filters or surge suppressers.

NOTE 2 In some cases, highly sensitive equipment may require compatibility levels lower than the ones relevant to class 1 environments. The compatibility levels are then to be agreed upon case by case.

#### Class 2

Class 2 applies to points of common coupling (PCCs for consumer systems) and in-plant points of common coupling (IPCs) in the industrial environment in general. The compatibility levels in this class are identical to those of public networks; therefore, components designed for application in public networks may be used in this class of industrial environment.

#### Class 3

Class 3 applies only to IPCs in industrial environments. It has higher compatibility levels than those of class 2 for some disturbance phenomena. For instance, this class should be considered when any of the following conditions are met:

- a major part of the load is fed through converters;
- welding machines are present;
- large motors are frequently started;
- loads vary rapidly.

NOTE The supply to highly disturbing loads, such as arc-furnaces and large converters which are generally supplied from a segregated bus-bar, frequently has disturbance levels in excess of class 3 (harsh environment). In such special situations, the compatibility levels should be agreed upon.

The class applicable for new plants and extensions of existing plants should relate to the type of equipment and process under consideration.

## Bibliography

| IEC 61000-2-1, *Electromagnetic compatibility (EMC) – Part 2: Environment – Section 1: Description of the environment – Electromagnetic environment for low-frequency conducted disturbances and signalling in power supply systems*

| IEC 61000-2-2, *Electromagnetic compatibility (EMC) – Part 2-2: Environment – Compatibility levels for low-frequency conducted disturbances and signalling in public low-voltage power supply systems*

| IEC 61000-4-1, *Electromagnetic compatibility (EMC) – Part 4-1: Testing and measurement techniques – Overview of immunity tests* – Basic EMC publication

| IEC 61000-4-11, *Electromagnetic compatibility (EMC) – Part 4-11: Testing and measurement techniques – Voltage dips, short interruptions and voltage variation immunity tests* – Basic EMC publication

---

## SOMMAIRE

AVANT-PROPOS .....	19
INTRODUCTION.....	21
1 Domaine d'application.....	22
2 Références normatives .....	22
3 Généralités.....	23
3.1 Effets des fluctuations de tension.....	23
3.2 Sources.....	23
4 Définitions .....	23
5 Niveaux d'essai .....	24
6 Matériel d'essai .....	25
6.1 Générateur d'essai .....	25
6.2 Caractéristiques et performances du générateur d'essai .....	25
6.3 Vérification des caractéristiques du générateur d'essai .....	25
7 Installation d'essai .....	26
8 Procédure d'essai .....	26
8.1 Conditions climatiques.....	26
8.2 Exécution de l'essai.....	27
9 Evaluation des résultats d'essai .....	27
10 Rapport d'essai.....	27
Annexe A (informative) Classes d'environnement électromagnétique .....	32
Bibliographie .....	33
Figure 1a – Diagramme d'essai .....	28
Figure 1b – Exemple d'un échelon de tension pour tension décroissante .....	29
Figure 1c – Exemple d'un échelon de tension pour tension croissante .....	29
Figure 1d – Exemple de fluctuation de tension complète .....	30
Figure 1 – Exemple de séquences d'essais de fluctuations de tension .....	30
Figure 2 – Exemple d'applications successives de fluctuations de tension .....	30
Figure 3 – Schéma (monophasé) de l'instrumentation d'essai pour les fluctuations de tension, avec amplificateur de puissance.....	31
Figure 4 – Exemple de charge pour vérification du générateur d'essai .....	31
Tableau 1 – Niveaux d'essai.....	24
Tableau 2 – Caractéristiques du générateur d'essai.....	25

## COMMISSION ÉLECTROTECHNIQUE INTERNATIONALE

### COMPATIBILITÉ ÉLECTROMAGNÉTIQUE (CEM) –

#### **Partie 4-14: Techniques d'essai et de mesure – Essai d'immunité aux fluctuations de tension pour le matériel dont le courant d'entrée est inférieur ou égal à 16 A par phase**

#### AVANT-PROPOS

- 1) La Commission Electrotechnique Internationale (CEI) est une organisation mondiale de normalisation composée de l'ensemble des comités électrotechniques nationaux (Comités nationaux de la CEI). La CEI a pour objet de favoriser la coopération internationale pour toutes les questions de normalisation dans les domaines de l'électricité et de l'électronique. A cet effet, la CEI – entre autres activités – publie des Normes internationales, des Spécifications techniques, des Rapports techniques, des Spécifications accessibles au public (PAS) et des Guides (ci-après dénommés "Publication(s) de la CEI"). Leur élaboration est confiée à des comités d'études, aux travaux desquels tout Comité national intéressé par le sujet traité peut participer. Les organisations internationales, gouvernementales et non gouvernementales, en liaison avec la CEI, participent également aux travaux. La CEI collabore étroitement avec l'Organisation Internationale de Normalisation (ISO), selon des conditions fixées par accord entre les deux organisations.
- 2) Les décisions ou accords officiels de la CEI concernant les questions techniques représentent, dans la mesure du possible, un accord international sur les sujets étudiés, étant donné que les Comités nationaux de la CEI intéressés sont représentés dans chaque comité d'études.
- 3) Les Publications de la CEI se présentent sous la forme de recommandations internationales et sont agréées comme telles par les Comités nationaux de la CEI. Tous les efforts raisonnables sont entrepris afin que la CEI s'assure de l'exactitude du contenu technique de ses publications; la CEI ne peut pas être tenue responsable de l'éventuelle mauvaise utilisation ou interprétation qui en est faite par un quelconque utilisateur final.
- 4) Dans le but d'encourager l'uniformité internationale, les Comités nationaux de la CEI s'engagent, dans toute la mesure possible, à appliquer de façon transparente les Publications de la CEI dans leurs publications nationales et régionales. Toutes divergences entre toutes Publications de la CEI et toutes publications nationales ou régionales correspondantes doivent être indiquées en termes clairs dans ces dernières.
- 5) La CEI n'a prévu aucune procédure de marquage valant indication d'approbation et n'engage pas sa responsabilité pour les équipements déclarés conformes à une de ses Publications.
- 6) Tous les utilisateurs doivent s'assurer qu'ils sont en possession de la dernière édition de cette publication.
- 7) Aucune responsabilité ne doit être imputée à la CEI, à ses administrateurs, employés, auxiliaires ou mandataires, y compris ses experts particuliers et les membres de ses comités d'études et des Comités nationaux de la CEI, pour tout préjudice causé en cas de dommages corporels et matériels, ou de tout autre dommage de quelque nature que ce soit, directe ou indirecte, ou pour supporter les coûts (y compris les frais de justice) et les dépenses découlant de la publication ou de l'utilisation de cette Publication de la CEI ou de toute autre Publication de la CEI, ou au crédit qui lui est accordé.
- 8) L'attention est attirée sur les références normatives citées dans cette publication. L'utilisation de publications référencées est obligatoire pour une application correcte de la présente publication.
- 9) L'attention est attirée sur le fait que certains des éléments de la présente Publication de la CEI peuvent faire l'objet de droits de propriété intellectuelle ou de droits analogues. La CEI ne saurait être tenue pour responsable de ne pas avoir identifié de tels droits de propriété et de ne pas avoir signalé leur existence.

La Norme internationale CEI 61000-4-14 a été établie par le sous-comité 77A: Phénomènes basse fréquence, du comité d'études 77 de la CEI: Compatibilité électromagnétique.

Cette norme constitue la partie 4-14 de la série CEI 61000. Elle a le statut de publication fondamentale en CEM conformément au Guide 107 de la CEI.

La présente version consolidée de la CEI 61000-4-14 comprend la première édition (1999) [documents 77A/263/FDIS et 77A/268/RVD], son amendement 1 (2001) [documents 77B/291+293/FDIS et 77B/298+300/RVD] et son amendement 2 (2009) [documents 77A/669/CDV et 77A/685/RVC].

Le contenu technique de cette version consolidée est donc identique à celui de l'édition de base et à ses amendements; cette version a été préparée par commodité pour l'utilisateur.

Elle porte le numéro d'édition 1.2.

Une ligne verticale dans la marge indique où la publication de base a été modifiée par les amendements 1 et 2.

Le comité a décidé que le contenu de la publication de base et de ses amendements ne sera pas modifié avant la date de maintenance indiquée sur le site web de la CEI sous "<http://webstore.iec.ch>" dans les données relatives à la publication recherchée. A cette date, la publication sera

- reconduite,
- supprimée,
- remplacée par une édition révisée, ou
- amendée.

IECNORM.COM : Click to view the full PDF of IEC 61000-4-14:1999+AMD1:2001+AMD2:2009 CSV

## INTRODUCTION

La CEI 61000 est publiée sous la forme de plusieurs parties séparées conformément à la structure suivante:

### Partie 1: Généralités

- Considérations générales (introduction, principes fondamentaux)
- Définitions, terminologie

### Partie 2: Environnement

- Description de l'environnement
- Classification de l'environnement
- Niveaux de compatibilité

### Partie 3: Limites

- Limites d'émission
- Limites d'immunité (dans la mesure où ces limites ne relèvent pas des comités de produits)

### Partie 4: Techniques d'essai et de mesure

- Techniques de mesure
- Techniques d'essai

### Partie 5: Guides d'installation et d'atténuation

- Guides d'installation
- Méthodes et dispositifs d'atténuation

### Partie 6: Normes génériques

### Partie 9: Divers

Chaque partie est à son tour subdivisée en plusieurs parties publiées soit comme Normes internationales, soit comme rapports techniques dont certaines ont déjà été publiées en tant que sections. D'autres seront publiées avec le numéro de la partie suivi d'un tiret et d'un second chiffre identifiant la subdivision (exemple 61000-6-1).

## COMPATIBILITÉ ÉLECTROMAGNÉTIQUE (CEM) –

### Partie 4-14: Techniques d'essai et de mesure – Essai d'immunité aux fluctuations de tension pour le matériel dont le courant d'entrée est inférieur ou égal à 16 A par phase

#### 1 Domaine d'application

La présente partie de la CEI 61000 est une publication fondamentale en compatibilité électromagnétique (CEM). Elle porte sur les essais d'immunité des équipements électriques et/ou électroniques dans leur environnement électromagnétique. Seuls les phénomènes conduits sont pris en compte, notamment les essais d'immunité concernant les équipements raccordés à des réseaux d'alimentation publics ou industriels.

Cette partie a pour but d'établir une référence permettant d'évaluer l'immunité des équipements électriques et électroniques soumis à des fluctuations de tension positive et négative de faible amplitude.

Les fluctuations de tension étudiées dans cette norme ne couvrent pas l'aspect "papillotement" (flicker), qui est un phénomène physiologique dû aux fluctuations de luminance de l'éclairage.

La présente norme s'applique aux équipements électriques et/ou électroniques absorbant un courant nominal inférieur ou égal à 16 A par phase. Elle ne s'applique pas aux équipements électriques et/ou électroniques raccordés à des réseaux de distribution en courant continu ou alternatif à 400 Hz. Les essais relatifs à ces réseaux seront couverts par d'autres normes de la CEI.

Le niveau des essais d'immunité correspondant à des environnements électromagnétiques spécifiques, ainsi que les critères de performance sont indiqués dans la norme de produits, famille de produits ou dans la norme générique qui s'applique. Cependant, pour la plupart des groupes de produits, il n'est pas fait état d'une susceptibilité particulière aux fluctuations de tension. En conséquence, des essais relatifs à ces phénomènes ne sont souvent pas requis.

#### 2 Références normatives

Les documents de référence suivants sont indispensables pour l'application du présent document. Pour les références datées, seule l'édition citée s'applique. Pour les références non datées, la dernière édition du document de référence s'applique (y compris les éventuels amendements).

CEI 60050(161), *Vocabulaire Electrotechnique International (VEI) – Chapitre 161: Compatibilité électromagnétique*

CEI 60068-1, *Essais d'environnement – Première partie: Généralités et guide*

CEI 61000-2-4, *Compatibilité électromagnétique (CEM) – Partie 2: Environnement – Section 4: Niveaux de compatibilité dans les installations industrielles pour les perturbations conduites à basse fréquence*

### 3 Généralités

#### 3.1 Effets des fluctuations de tension

Les équipements électriques et électroniques peuvent être affectés par des fluctuations de tension. Des exemples de ces effets sont

- la dégradation des performances des équipements utilisant des moyens de stockage (condensateurs, par exemple);
- des pertes de fonction des systèmes de commande;
- une instabilité des courants ou tensions internes des équipements;
- l'augmentation des phénomènes d'ondulations.

#### 3.2 Sources

Dans les réseaux basse tension, les appareils électrodomestiques sont raccordés en grand nombre. Toutefois, les fluctuations provoquées par ces appareils ne sont généralement pas significatives.

Les fluctuations sont générées principalement par

- a) des variations continues mais aléatoires de grosses charges telles que:
  - 1) machines à souder à résistance;
  - 2) laminoirs;
  - 3) moteurs de grande puissance avec charges variables;
  - 4) fours à arc;
  - 5) installations de soudage à l'arc;
- b) la commutation de charge par simple marche-arrêt (moteurs, par exemple);
- c) des changements des échelons de tension (causés par les changements de prise des régulateurs de tension des transformateurs).

Ces fluctuations d'origine industrielle peuvent affecter un grand nombre d'utilisateurs. Le fonctionnement de ces équipements peut varier entre un régime continu et un régime intermittent. Compte tenu de la large plage d'impédance possible du réseau d'alimentation public, la transmission des perturbations variera selon les réseaux.

### 4 Définitions

Pour les besoins de la présente partie de la CEI 61000, les définitions suivantes s'appliquent. Ils ne concernent que le domaine des fluctuations de tension et ne sont pas tous répertoriés dans la CEI 60050(161).

#### 4.1

##### **immunité**

aptitude d'un dispositif, d'un appareil ou d'un système à fonctionner sans dégradation de fonctionnement en présence d'une perturbation électromagnétique [VEI 161-01-20]

#### 4.2

##### **fluctuations de tension**

suite de variations de tension ou variation cyclique de l'enveloppe d'une tension [VEI 161-08-05]

## 5 Niveaux d'essai

Le présent essai peut s'appliquer à tous les équipements destinés aux réseaux publics, aux réseaux industriels et aux installations électriques pouvant être sensibles à ce type de perturbation.

On peut supposer que les changements des échelons de tension constituent les types de fluctuations de tension les plus gênants.

L'équipement soumis à l'essai (EST) fonctionne initialement sous une tension d'alimentation constante, avant d'être soumis à des changements d'échelons de tension répétés selon la figure 1a.

La tension initiale est fixée à

$$U_n, U_n - 10 \% U_n, U_n + 10 \% U_n$$

NOTE  $U_n$  est la tension nominale.

L'amplitude des échelons de tension est choisie comme suit:

Classe 1: pas d'essai requis.

Classe 2:  $\Delta U = 8 \% U_n$  pour les équipements destinés aux réseaux publics ou à d'autres réseaux faiblement perturbés. Ce niveau d'essai est spécifié pour la classe 2.

Classe 3:  $\Delta U = 12 \% U_n$  pour les équipements utilisés dans des réseaux fortement perturbés, c'est-à-dire des réseaux industriels. Ce niveau d'essai est spécifié pour la classe 3.

Les classes 1, 2 et 3 sont définies à l'annexe A.

Le tableau 1 répertorie les niveaux d'essai pour les différentes tensions initiales:

$$U_n, U_n - 10 \% U_n, U_n + 10 \% U_n$$

**Tableau 1 – Niveaux d'essai**

Classes	$U_n$	$U_n - 10 \% U_n$	$U_n + 10 \% U_n$
1	Pas d'essai requis		
2	$\Delta U = \pm 8 \% U_n$	$\Delta U = +8 \% U_n$	$\Delta U = -8 \% U_n$
3	$\Delta U = \pm 12 \% U_n$	$\Delta U = +12 \% U_n$	$\Delta U = -12 \% U_n$
x	x	x	x
NOTE Les niveaux pour la classe "x" sont ouverts.			

La période de répétition  $T$  et la durée  $t$  des fluctuations de tension spécifiées sont  $T = 5$  s et  $t = 2$  s (voir Figure 1d).

Les passages de la tension initiale à la tension d'essai, ou de la tension d'essai ramenée à la tension initiale sont obtenus par cinq échelons de tension successifs en cinq cycles consécutifs de l'alimentation, voir la Figure 1d. Chaque échelon de tension est de  $\Delta U/5$  et a lieu sur  $\pi/2$  radians de la période de la fréquence nominale,  $f_n$ , (par exemple 5 ms pour 50 Hz) voir la Figure 1b et la Figure 1c.

Pour les variations décroissantes de tension, l'échelon de tension commence à l'angle de phase  $\varphi = 270^\circ$  et finit à  $\varphi = 360^\circ$ , voir la Figure 1b.

Pour les variations croissantes de tension, l'échelon de tension commence à l'angle de phase  $\varphi = 180^\circ$  et finit à  $\varphi = 270^\circ$ , voir la Figure 1c.

x est un niveau d'essai ouvert. Cette valeur peut être définie par la norme de produit pour des conditions autres que les conditions de fonctionnement normales du réseau.

Tous les niveaux peuvent être proposés par le comité de produit, mais pour les équipements utilisés dans les réseaux d'alimentation publics, les valeurs ne doivent pas être inférieures à celles spécifiées pour la classe 2.

NOTE Il convient de ne pas dépasser les limites de fonctionnement en tension supérieure et inférieure définies par le fabricant du produit.

## 6 Matériel d'essai

### 6.1 Générateur d'essai

Le générateur utilisé pour l'essai doit avoir des caractéristiques telles qu'il ne génère pas de perturbations importantes qui, si elles sont injectées dans le réseau d'alimentation, peuvent influencer sur les résultats d'essai.

### 6.2 Caractéristiques et performances du générateur d'essai

Tableau 2 – Caractéristiques du générateur d'essai

Capacité de tension de sortie	$U_n \pm 15\%$
Précision sur la tension	$\pm 1\%$
Précision sur le passage par zéro	250 $\mu$ s au passage par zéro de la tension
Capacité de courant de sortie	Le générateur doit être capable de délivrer un courant suffisant en fonction de l'EST dans la plage de tensions d'essai.
Dépassement positif/négatif de la tension réelle	Moins de 5 % de la variation de tension
Temps de montée (et de descente) de la tension pendant la commutation	Inférieur à 1 ms
Erreur maximale entre phases (en triphasé)	2,5°
Précision sur la fréquence	2,5 % de $f_n$ (50 Hz ou 60 Hz)

NOTE Le générateur avec amplificateur de puissance spécifié dans la CEI 61000-4-11 peut être utilisé pour cet essai. Il doit pouvoir générer une surtension  $U_n + 15\%$

### 6.3 Vérification des caractéristiques du générateur d'essai

Des générateurs d'essai présentant différentes puissances de sortie peuvent être utilisés.

On doit vérifier que le générateur d'essai est conforme aux caractéristiques et spécifications énoncées dans le Tableau 2.

La performance du générateur d'essai doit être vérifiée avec une charge résistive appelant un courant efficace d'une valeur ne dépassant pas la capacité de sortie du générateur. Par exemple, un générateur de 230 V/16 A doit être vérifié avec une charge de 14,3  $\Omega$ .

De plus, on doit vérifier que la capacité de courant de sortie du générateur est apte à fournir un facteur de crête supérieur ou égal à 3, lorsque  $U_n$  est appliquée à une charge monophasée prélevant un courant efficace d'une valeur inférieure ou égale à la capacité de sortie du générateur. Chaque phase de sortie du générateur doit être vérifiée tour à tour. Un exemple de charge adaptée pour la vérification 230 V/16 A est fourni à la Figure 4.

## 7 Installation d'essai

La figure 3 représente la configuration d'essai utilisée pour la simulation de l'alimentation.

Des amplificateurs de puissance et des générateurs de forme d'ondes peuvent être utilisés.

Les essais effectués sur les équipements triphasés sont effectués au moyen de générateurs triphasés synchronisés.

## 8 Procédure d'essai

Avant de procéder aux essais, un programme d'essai doit être préparé.

Il est souhaitable que le programme d'essai comprenne les éléments suivants:

- description du type de l'EST;
- informations sur les connexions possibles (prises, bornes, etc.), ainsi que sur les câbles et les périphériques correspondants;
- bornes d'alimentation de l'EST;
- modes de fonctionnement représentatifs de l'EST pour l'essai;
- critères de performances utilisés et définis dans les spécifications techniques;
- description de l'installation d'essai.

Si les sources de signaux réelles nécessaires au fonctionnement de l'EST ne sont pas disponibles, elles peuvent être simulées.

Pour chaque essai, toute dégradation des performances doit être enregistrée. Il convient que le système de contrôle soit capable d'afficher l'état du mode opératoire de l'EST et ce, pendant et après les essais. Après chaque groupe d'essais, une vérification fonctionnelle complète doit être effectuée.

### 8.1 Conditions climatiques

A moins qu'il en soit spécifié autrement par le comité responsable d'une norme générique ou d'une norme de produit, les conditions climatiques dans le laboratoire doivent être dans les limites spécifiées pour le fonctionnement de l'EST et des matériels d'essai par leurs constructeurs respectifs.

Les essais ne doivent pas être réalisés si l'humidité relative est telle qu'elle cause une condensation sur l'EST ou sur les matériels d'essai.

NOTE Lorsqu'il est estimé qu'il y a une évidence suffisante pour démontrer que les effets du phénomène couverts par la présente norme sont influencés par les conditions climatiques, il convient d'en informer le comité responsable de la présente norme.

## 8.2 Exécution de l'essai

L'EST doit être testé pour chaque combinaison de niveau d'essai et de durée avec une série de trois séquences de fluctuations de tension en respectant un intervalle de deux fois 60 s minimum entre les différentes séquences de fluctuations de tension (voir figure 2). Tous les modes de fonctionnement représentatifs doivent être testés.

La durée des essais doit être déterminée par le comité de produits.

Pour un système triphasé, les trois phases doivent être testées en même temps. Les échelons de tension sont réalisés pour chacune des phases au même angle de phase,  $\varphi$ , et non pas simultanément sur les trois phases.

## 9 Evaluation des résultats d'essai

Les résultats d'essai doivent être classés en tenant compte de la perte de fonction ou de la dégradation du fonctionnement du matériel soumis à l'essai, par rapport à un niveau de fonctionnement défini par son constructeur ou par le demandeur de l'essai, ou en accord entre le constructeur et l'acheteur du produit. La classification recommandée est comme suit:

- a) fonctionnement normal dans les limites spécifiées par le constructeur, le demandeur de l'essai ou l'acheteur;
- b) perte temporaire de fonction ou dégradation temporaire du fonctionnement cessant après la disparition de la perturbation; le matériel soumis à l'essai retrouve alors son fonctionnement normal sans l'intervention d'un opérateur;
- c) perte temporaire de fonction ou dégradation temporaire du fonctionnement nécessitant l'intervention d'un opérateur;
- d) perte de fonction ou dégradation du fonctionnement non récupérable, due à une avarie du matériel ou du logiciel, ou à une perte de données.

La spécification du constructeur peut définir des effets sur l'EST qui peuvent être considérés comme non significatifs et donc acceptables.

Cette classification peut être utilisée comme un guide pour l'élaboration des critères d'aptitude à la fonction, par les comités responsables pour les normes génériques, de produit ou de famille de produits, ou comme un cadre pour l'accord sur les critères d'aptitude à la fonction entre le constructeur et l'acheteur, par exemple lorsque aucune norme générique, de produit ou de famille de produits appropriée n'existe.

## 10 Rapport d'essai

Le rapport d'essai doit contenir toutes les informations nécessaires pour reproduire l'essai. En particulier, ce qui suit doit être noté:

- les points spécifiés dans le plan d'essai requis à l'article 8 de la présente norme;
- l'identification de l'EST et de tous les matériels associés, par exemple marque, type, numéro de série;
- l'identification des matériels d'essai, par exemple marque, type, numéro de série;
- toutes les conditions d'environnement spéciales dans lesquelles l'essai a été réalisé, par exemple enceinte blindée;
- toutes les conditions spécifiques nécessaires pour permettre la réalisation de l'essai;
- le niveau de fonctionnement défini par le constructeur, le demandeur de l'essai ou l'acheteur;
- le critère d'aptitude à la fonction spécifié dans la norme générique, de produit ou de famille de produits;

- tous les effets observés sur l'EST pendant ou après l'application de la perturbation, et la durée pendant laquelle ces effets ont persisté;
- la justification de la décision succès/échec (basée sur le critère d'aptitude à la fonction spécifié dans la norme générique, de produit ou de famille de produits, ou dans l'accord entre le constructeur et l'acheteur);
- toutes les conditions spécifiques d'utilisation, par exemple longueur ou type de câble, blindage ou raccordement à la terre, ou les conditions de fonctionnement de l'EST, qui sont requises pour assurer la conformité.

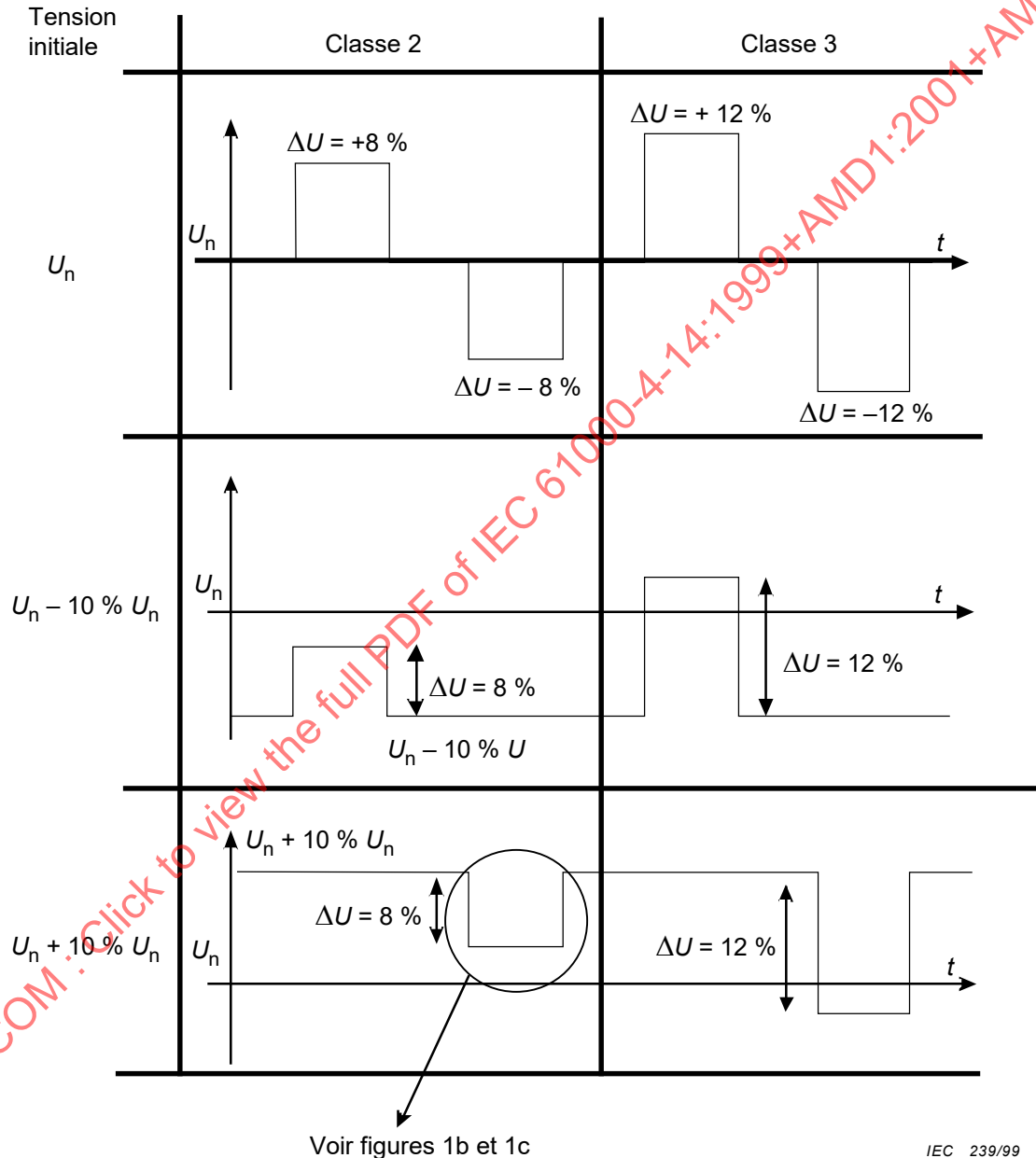


Figure 1a - Diagramme d'essai