

INTERNATIONAL
STANDARD

ISO/
IEC/IEEE
8802-3

Third edition
2021-02

AMENDMENT 2
2021-12

**Telecommunications and exchange
between information technology
systems — Requirements for local and
metropolitan area networks —**

Part 3:
Standard for Ethernet

AMENDMENT 2: Physical layer and
management parameters for power over
Ethernet over 4 pairs

*Télécommunications et échange entre systèmes informatiques —
Exigences pour les réseaux locaux et métropolitains —*

Partie 3: Norme pour Ethernet

*AMENDEMENT 2: Couche physique et paramètres de gestion pour la
puissance par ethernet sur 4 paires*



Reference number
ISO/IEC/IEEE 8802-3:2021/Amd.2:2021(E)

© IEEE 2019



COPYRIGHT PROTECTED DOCUMENT

© IEEE 2019

All rights reserved. Unless otherwise specified, or required in the context of its implementation, no part of this publication may be reproduced or utilized otherwise in any form or by any means, electronic or mechanical, including photocopying, or posting on the internet or an intranet, without prior written permission. Permission can be requested from IEEE at the address below.

Institute of Electrical and Electronics Engineers, Inc
3 Park Avenue, New York
NY 10016-5997, USA

Email: stds.ipr@ieee.org
Website: www.ieee.org

Published in Switzerland

Foreword

ISO (the International Organization for Standardization) and IEC (the International Electrotechnical Commission) form the specialized system for worldwide standardization. National bodies that are members of ISO or IEC participate in the development of International Standards through technical committees established by the respective organization to deal with particular fields of technical activity. ISO and IEC technical committees collaborate in fields of mutual interest. Other international organizations, governmental and non-governmental, in liaison with ISO and IEC, also take part in the work.

The procedures used to develop this document and those intended for its further maintenance are described in the ISO/IEC Directives, Part 1. In particular, the different approval criteria needed for the different types of ISO/IEC documents should be noted.

IEEE Standards documents are developed within the IEEE Societies and the Standards Coordinating Committees of the IEEE Standards Association (IEEE-SA) Standards Board. The IEEE develops its standards through a consensus development process, approved by the American National Standards Institute, which brings together volunteers representing varied viewpoints and interests to achieve the final product. Volunteers are not necessarily members of the Institute and serve without compensation. While the IEEE administers the process and establishes rules to promote fairness in the consensus development process, the IEEE does not independently evaluate, test, or verify the accuracy of any of the information contained in its standards.

Attention is drawn to the possibility that some of the elements of this document may be the subject of patent rights. ISO and IEC shall not be held responsible for identifying any or all such patent rights. Details of any patent rights identified during the development of the document will be in the Introduction and/or on the ISO list of patent declarations received (see www.iso.org/patents) or the IEC list of patent declarations received (see patents.iec.ch).

Any trade name used in this document is information given for the convenience of users and does not constitute an endorsement.

For an explanation of the voluntary nature of standards, the meaning of ISO specific terms and expressions related to conformity assessment, as well as information about ISO's adherence to the World Trade Organization (WTO) principles in the Technical Barriers to Trade (TBT), see www.iso.org/iso/foreword.html. In the IEC, see www.iec.ch/understanding-standards.

ISO/IEC/IEEE 8802-3:2021/Amd.2 was prepared by the LAN/MAN of the IEEE Computer Society (as IEEE Std 802.3bt-2018) and drafted in accordance with its editorial rules. It was adopted, under the "fast-track procedure" defined in the Partner Standards Development Organization cooperation agreement between ISO and IEEE, by Joint Technical Committee ISO/IEC JTC 1, *Information technology*, Subcommittee SC 6, *Telecommunications and information exchange between systems*.

A list of all parts in the ISO/IEC/IEEE 8802 series can be found on the ISO and IEC websites.

Any feedback or questions on this document should be directed to the user's national standards body. A complete listing of these bodies can be found at www.iso.org/members.html and www.iec.ch/national-committees.

STANDARDSISO.COM : Click to view the full PDF of ISO/IEC/IEEE 8802-3:2021/Amd 2:2021

IEEE Std 802.3bt™-2018
(Amendment to IEEE Std 802.3™-2018
as amended by IEEE Std 802.3cb™-2018)

IEEE Standard for Ethernet

Amendment 2: Physical Layer and Management Parameters for Power over Ethernet over 4 Pairs

Sponsor

**LAN/MAN Standards Committee
of the
IEEE Computer Society**

Approved 27 September 2018

IEEE-SA Standards Board

STANDARDSISO.COM: Click to view the full PDF of IEEE 802.3:2021/Amd 2:2021

Abstract: The maximum Powered Device (PD) power available is increased by this amendment to IEEE Std 802.3-2018 by utilizing all four pairs in the specified structured wiring plant. This represents a substantial change to the capabilities of Ethernet with standardized power. The power classification information exchanged during negotiation is extended to allow meaningful power management capability. These enhancements solve the problem of higher power and more efficient standardized Power over Ethernet (PoE) delivery systems.

Keywords: amendment, DTE power via MDI, Ethernet, IEEE 802.3™, IEEE 802.3bt™, PoE, Power over Ethernet

*This standard is dedicated to the memory
of our friend and colleague Martin Patoka.*

The Institute of Electrical and Electronics Engineers, Inc.
3 Park Avenue, New York, NY 10016-5997, USA

Copyright © 2019 by The Institute of Electrical and Electronics Engineers, Inc.
All rights reserved. Published 31 January 2019. Printed in the United States of America.

IEEE and 802 are registered trademarks in the U.S. Patent & Trademark Office, owned by The Institute of Electrical and Electronics Engineers, Incorporated.

National Electrical Code, NEC, and NFPA 70 are registered trademarks in the U.S. Patent & Trademark Office, owned by the National Fire Protection Association.

PDF: ISBN 978-1-5044-5276-2 STD23390
Print: ISBN 978-1-5044-5277-9 STDPD23390

IEEE prohibits discrimination, harassment and bullying.

For more information, visit <http://www.ieee.org/web/aboutus/whatis/policies/p9-26.html>.

No part of this publication may be reproduced in any form, in an electronic retrieval system or otherwise, without the prior written permission of the publisher.

Important Notices and Disclaimers Concerning IEEE Standards Documents

IEEE documents are made available for use subject to important notices and legal disclaimers. These notices and disclaimers, or a reference to this page, appear in all standards and may be found under the heading “Important Notices and Disclaimers Concerning IEEE Standards Documents.” They can also be obtained on request from IEEE or viewed at <http://standards.ieee.org/ipr/disclaimers.html>.

Notice and Disclaimer of Liability Concerning the Use of IEEE Standards Documents

IEEE Standards documents (standards, recommended practices, and guides), both full-use and trial-use, are developed within IEEE Societies and the Standards Coordinating Committees of the IEEE Standards Association (“IEEE-SA”) Standards Board. IEEE (“the Institute”) develops its standards through a consensus development process, approved by the American National Standards Institute (“ANSI”), which brings together volunteers representing varied viewpoints and interests to achieve the final product. IEEE Standards are documents developed through scientific, academic, and industry-based technical working groups. Volunteers in IEEE working groups are not necessarily members of the Institute and participate without compensation from IEEE. While IEEE administers the process and establishes rules to promote fairness in the consensus development process, IEEE does not independently evaluate, test, or verify the accuracy of any of the information or the soundness of any judgments contained in its standards.

IEEE Standards do not guarantee or ensure safety, security, health, or environmental protection, or ensure against interference with or from other devices or networks. Implementers and users of IEEE Standards documents are responsible for determining and complying with all appropriate safety, security, environmental, health, and interference protection practices and all applicable laws and regulations.

IEEE does not warrant or represent the accuracy or content of the material contained in its standards, and expressly disclaims all warranties (express, implied and statutory) not included in this or any other document relating to the standard, including, but not limited to, the warranties of: merchantability; fitness for a particular purpose; non-infringement; and quality, accuracy, effectiveness, currency, or completeness of material. In addition, IEEE disclaims any and all conditions relating to: results; and workmanlike effort. IEEE standards documents are supplied “AS IS” and “WITH ALL FAULTS.”

Use of an IEEE standard is wholly voluntary. The existence of an IEEE standard does not imply that there are no other ways to produce, test, measure, purchase, market, or provide other goods and services related to the scope of the IEEE standard. Furthermore, the viewpoint expressed at the time a standard is approved and issued is subject to change brought about through developments in the state of the art and comments received from users of the standard.

In publishing and making its standards available, IEEE is not suggesting or rendering professional or other services for, or on behalf of, any person or entity nor is IEEE undertaking to perform any duty owed by any other person or entity to another. Any person utilizing any IEEE Standards document, should rely upon his or her own independent judgment in the exercise of reasonable care in any given circumstances or, as appropriate, seek the advice of a competent professional in determining the appropriateness of a given IEEE standard.

IN NO EVENT SHALL IEEE BE LIABLE FOR ANY DIRECT, INDIRECT, INCIDENTAL, SPECIAL, EXEMPLARY, OR CONSEQUENTIAL DAMAGES (INCLUDING, BUT NOT LIMITED TO: PROCUREMENT OF SUBSTITUTE GOODS OR SERVICES; LOSS OF USE, DATA, OR PROFITS; OR BUSINESS INTERRUPTION) HOWEVER CAUSED AND ON ANY THEORY OF LIABILITY, WHETHER IN CONTRACT, STRICT LIABILITY, OR TORT (INCLUDING NEGLIGENCE OR OTHERWISE) ARISING IN ANY WAY OUT OF THE PUBLICATION, USE OF, OR RELIANCE UPON ANY STANDARD, EVEN IF ADVISED OF THE POSSIBILITY OF SUCH DAMAGE AND REGARDLESS OF WHETHER SUCH DAMAGE WAS FORESEEABLE.

Translations

The IEEE consensus development process involves the review of documents in English only. In the event that an IEEE standard is translated, only the English version published by IEEE should be considered the approved IEEE standard.

Official statements

A statement, written or oral, that is not processed in accordance with the IEEE-SA Standards Board Operations Manual shall not be considered or inferred to be the official position of IEEE or any of its committees and shall not be considered to be, or be relied upon as, a formal position of IEEE. At lectures, symposia, seminars, or educational courses, an individual presenting information on IEEE standards shall make it clear that his or her views should be considered the personal views of that individual rather than the formal position of IEEE.

Comments on standards

Comments for revision of IEEE Standards documents are welcome from any interested party, regardless of membership affiliation with IEEE. However, IEEE does not provide consulting information or advice pertaining to IEEE Standards documents. Suggestions for changes in documents should be in the form of a proposed change of text, together with appropriate supporting comments. Since IEEE standards represent a consensus of concerned interests, it is important that any responses to comments and questions also receive the concurrence of a balance of interests. For this reason, IEEE and the members of its societies and Standards Coordinating Committees are not able to provide an instant response to comments or questions except in those cases where the matter has previously been addressed. For the same reason, IEEE does not respond to interpretation requests. Any person who would like to participate in revisions to an IEEE standard is welcome to join the relevant IEEE working group.

Comments on standards should be submitted to the following address:

Secretary, IEEE-SA Standards Board
445 Hoes Lane
Piscataway, NJ 08854 USA

Laws and regulations

Users of IEEE Standards documents should consult all applicable laws and regulations. Compliance with the provisions of any IEEE Standards document does not imply compliance to any applicable regulatory requirements. Implementers of the standard are responsible for observing or referring to the applicable regulatory requirements. IEEE does not, by the publication of its standards, intend to urge action that is not in compliance with applicable laws, and these documents may not be construed as doing so.

Copyrights

IEEE draft and approved standards are copyrighted by IEEE under U.S. and international copyright laws. They are made available by IEEE and are adopted for a wide variety of both public and private uses. These include both use, by reference, in laws and regulations, and use in private self-regulation, standardization, and the promotion of engineering practices and methods. By making these documents available for use and adoption by public authorities and private users, IEEE does not waive any rights in copyright to the documents.

Photocopies

Subject to payment of the appropriate fee, IEEE will grant users a limited, non-exclusive license to photocopy portions of any individual standard for company or organizational internal use or individual, non-commercial use only. To arrange for payment of licensing fees, please contact Copyright Clearance Center, Customer Service, 222 Rosewood Drive, Danvers, MA 01923 USA; +1 978 750 8400. Permission to photocopy portions of any individual standard for educational classroom use can also be obtained through the Copyright Clearance Center.

Updating of IEEE Standards documents

Users of IEEE Standards documents should be aware that these documents may be superseded at any time by the issuance of new editions or may be amended from time to time through the issuance of amendments, corrigenda, or errata. An official IEEE document at any point in time consists of the current edition of the document together with any amendments, corrigenda, or errata then in effect.

Every IEEE standard is subjected to review at least every ten years. When a document is more than ten years old and has not undergone a revision process, it is reasonable to conclude that its contents, although still of some value, do not wholly reflect the present state of the art. Users are cautioned to check to determine that they have the latest edition of any IEEE standard.

In order to determine whether a given document is the current edition and whether it has been amended through the issuance of amendments, corrigenda, or errata, visit the IEEE-SA Website at <http://ieeexplore.ieee.org> or contact IEEE at the address listed previously. For more information about the IEEE SA or IEEE's standards development process, visit the IEEE-SA Website at <http://standards.ieee.org>.

Errata

Errata, if any, for all IEEE standards can be accessed on the IEEE-SA Website at the following URL: <http://standards.ieee.org/findstds/errata/index.html>. Users are encouraged to check this URL for errata periodically.

Patents

Attention is called to the possibility that implementation of this standard may require use of subject matter covered by patent rights. By publication of this standard, no position is taken by the IEEE with respect to the existence or validity of any patent rights in connection therewith. If a patent holder or patent applicant has filed a statement of assurance via an Accepted Letter of Assurance, then the statement is listed on the IEEE-SA Website at <http://standards.ieee.org/about/sasb/patcom/patents.html>. Letters of Assurance may indicate whether the Submitter is willing or unwilling to grant licenses under patent rights without compensation or under reasonable rates, with reasonable terms and conditions that are demonstrably free of any unfair discrimination to applicants desiring to obtain such licenses.

Essential Patent Claims may exist for which a Letter of Assurance has not been received. The IEEE is not responsible for identifying Essential Patent Claims for which a license may be required, for conducting inquiries into the legal validity or scope of Patents Claims, or determining whether any licensing terms or conditions provided in connection with submission of a Letter of Assurance, if any, or in any licensing agreements are reasonable or non-discriminatory. Users of this standard are expressly advised that determination of the validity of any patent rights, and the risk of infringement of such rights, is entirely their own responsibility. Further information may be obtained from the IEEE Standards Association.

Participants

The following individuals were officers and members of the IEEE 802.3 Working Group at the beginning of the IEEE P802.3bt Working Group ballot.

David J. Law, *IEEE 802.3 Working Group Chair*
Adam Healey, *IEEE 802.3 Working Group Vice-Chair*
Pete Anslow, *IEEE 802.3 Working Group Secretary*
Steven B. Carlson, *IEEE 802.3 Working Group Executive Secretary*
Valerie Maguire, *IEEE 802.3 Working Group Treasurer*

Chad Jones, *IEEE P802.3bt DTE Power via MDI over 4-Pair Task Force Chair*
Koussalya Balasubramanian¹, *IEEE P802.3bt DTE Power via MDI over 4-Pair Task Force
Chief Editor (1st phase)*

Lennart Yseboodt, *IEEE P802.3bt DTE Power via MDI over 4-Pair Task Force
Chief Editor (2nd phase)*

David Abramson, *IEEE P802.3bt DTE Power via MDI over 4-Pair Task Force Comment Editor*

Justin Abbott	Yair Darshan	Rita Horner
Shadi Abughazaleh	Piers Dawe	Bernd Horrmeyer
Mohammad Ahmed	Fred Dawson	Victor Hou
Eric Baden	Wael Diab	Yasuhiro Hyakutake
Amrik Bains	Eric DiBiaso	Hideki Isono
Thananya Baldwin	John Dillard	Tom Issenhuth
Denis Beaudoin	Daniel Dillow	Kenneth Jackson
Christian Beia	Thuyen Dinh	Andrew Jimenez
Michael Bennett	Curtis Donahue	Peter Jones
Vipul Bhatt	Dan Dove	Manabu Kagami
William Bliss	Mike Dudek	Upen Kareti
Brad Booth	David Dwelley	Keisuke Kawahara
Martin Bouda	Frank Effenberger	Yasuaki Kawatsu
Ralf-Peter Braun	Hesham Elbakoury	Michael Kelsen
Theodore Brillhart	David Estes	Scott Kipp
Paul Brooks	John Ewen	Michael Klempa
Alan Brown	Ramin Farjad	Curtis Knittle
Matthew Brown	Shahar Feldman	Shigeru Kobayashi
Chris Bullock	James Fife	Daniel Koehler
Jairo Bustos Heredia	Alan Flatman	Paul Kolesar
Adrian Butter	Matthias Fritsche	Tom Kolze
Francesco Caggioni	Richard Frosch	Glen Kramer
Anthony Calbone	Andrew Gardner	Hans Lackner
Clark Carty	Claude Gauthier	Jeffrey Lapak
Craig Chabot	Ali Ghiasi	Mark Laubach
Geoffrey Chacon Simon	Joel Goergen	Han Hyub Lee
Mandeep Chadha	Volker Goetzfried	David Lewis
David Chalupsky	Zhigang Gong	Jon Lewis
Jacky Chang	Steven Gorshe	Mike Peng Li
Xin Chang	Robert Grow	Jane Lim
Ahmad Chini	Mark Gustlin	Dekun Liu
Keng Hua Chuang	Marek Hajduczenia	Hai-Feng Liu
Christopher R. Cole	Takehiro Hayashi	William Lo
John D'Ambrosia	Yasuo Hidaka	Miklos Lukacs
		Kent Lusted

¹Not a member of the IEEE 802.3 working group at the beginning of the working group ballot.

Jeffery Maki
 David Malicoat
 Yonatan Malkiman
 Arthur Marris
 Takeo Masuda
 Erdem Matoglu
 Naoki Matsuda
 Mick McCarthy
 Brett McClellan
 Thomas McDermott
 John McDonough
 Larry McMillan
 Richard Mei
 Richard Mellitz
 Bryan Moffitt
 Ardeshir Mohammadian
 Paul Mooney
 Dale Murray
 Henry Muyshondt
 James Nadolny
 Edward Nakamoto
 Gary Nicholl
 Kevin Noll
 Mark Nowell
 David Ofelt
 Thomas Palkert
 Hui Pan
 Sessa Pangeluri
 Vasu Parthasarathy
 Petar Pepeljugoski
 Gerald Pepper
 Ruben Perez De Aranda Alonso
 Michael Peters
 Phong Pham

Jean Picard
 William Powell
 Rick Rabinovich
 Adee Ran
 Alon Regev
 Duane Remein
 Victor Renteria
 Christopher Roth
 Salvatore Rotolo
 Toshiaki Sakai
 Jorge Salinger
 Sam Sambasivan
 Edward Sayre
 Dieter Schicketzanz
 Fred Schindler
 Hossein Sedarat
 Naoshi Serizawa
 Masood Shariff
 ramin Shirani
 Tom Skaar
 Jeff Slavick
 Daniel Smith
 Scott Sommers
 Yoshiaki Sone
 Tom Souvignier
 Peter Stassar
 Heath Stewart
 Robert Stone
 David Stover
 Junqing Sun
 Ken-Ichi Suzuki
 Steve Swanson
 Andre Szczepanek
 William Szeto

Bharat Tailor
 Takayuki Tajima
 Satoshi Takahashi
 Kohichi Tamura
 Brian Teipen
 Geoffrey Thompson
 Pirooz Tooyserkani
 Albert Tretter
 Stephen Trowbridge
 Yoshihiro Tsukamoto
 Ed Ulrichs
 Alexander Umnov
 Sterling A. Vaden
 Stefano Valle
 Paul Vanderlaan
 Robert Wagner
 Dylan Walker
 Haifei Wang
 Roy Wang
 Tongtong Wang
 Xinyuan Wang
 Matthias Wendt
 Oded Wertheim
 Natalie Wienckowski
 Ludwig Winkel
 Peter Wu
 Dayin Xu
 Yu Xu
 Jun Yi
 Hayato Yuki
 Andrew Zambell
 Yan Zhuang
 George Zimmerman

The following members of the individual balloting committee voted on this amendment. Balloters may have voted for approval, disapproval, or abstention.

David Abramson	Yasuhiro Hyakutake	Adee Ran
Shadi Abughazaleh	Noriyuki Ikeuchi	R. K. Rannow
Iwan Adhicandra	Atsushi Ito	Maximilian Riegel
Andrea Agnes	Raj Jain	Robert Robinson
Thomas Alexander	Sang Kwon Jeong	Benjamin Rolfe
Dale Amason	Chad Jones	Veselin Skendzic
Peter Anslow	Peter Jones	Daniel Smith
John Ballingall	Piotr Karocki	Dorothy Stanley
Christian Boiger	Stuart J. Kerry	Thomas Starai
Ralf-Peter Braun	Yongbum Kim	Heath Stewart
Nancy Bravin	Mark Laubach	David Stover
Theodore Brillhart	David J. Law	Walter Struppler
Demetrio Bucaneg	Hyeong Ho Lee	Mitsutoshi Sugawara
Chris Bullock	Joris Lemahieu	Kohichi Tamura
Jairo Bustos Heredia	Jon Lewis	Geoffrey Thompson
William Byrd	Shen Loh	Nathan Tracy
Steven B. Carlson	Miklos Lukacs	David Tremblay
Juan Carreon	Elvis Maculuba	Mark-Rene Uchida
Clark Carty	Valerie Maguire	Alexander Umnov
Mandeep Chadha	Jeffery Maki	Dmitri Varsanofiev
Keith Chow	Jeffery Masters	George Vlantis
Keng Hua Chuang	Michael Maytum	Khurram Waheed
Ian Crayford	Mick McCarthy	Dylan Walker
Sourav Dutta	Brett McClellan	Lisa Ward
Avraham Freedman	Thomas McDermott	Keith Waters
Matthias Fritsche	Richard Mellitz	Stephen Webb
Yukihiro Fujimoto	Tremont Miao	Matthias Wendt
Joel Goergen	Charles Moorwood	Andreas Wolf
Zhigang Gong	Rick Murphy	Peter Wu
Eric W. Gray	Satoshi Obara	Dayin Xu
Randall Groves	Thomas Palkert	Lennart Yseboodt
Adam Healey	Bansi Patel	Oren Yuen
Marco Hernandez	Arkadiy Peker	Andrew Zambell
David Hess	Michael Peters	Zhen Zhou
Werner Hoelzl	Jean Picard	George Zimmerman
Rita Horner	Rick Pimpinella	Pavel Zivny

When the IEEE-SA Standards Board approved this amendment on 27 September 2018, it had the following membership:

Jean-Philippe Faure, *Chair*
Gary Hoffman, *Vice Chair*
John D. Kulick, *Past Chair*
Konstantinos Karachalios, *Secretary*

Ted Burse	Xiaohui Liu	Robby Robson
Guido R. Hiertz	Kevin Lu	Dorothy Stanley
Christel Hunter	Daleep Mohla	Mehmet Ulema
Joseph L. Koepfinger*	Andrew Myles	Phil Wennblom
Thomas Koshy	Paul Nikolich	Philip Winston
Hung Ling	Ronald C. Petersen	Howard Wolfman
Dong Liu	Annette D. Reilly	Jingyi Zhou

*Member Emeritus

Introduction

This introduction is not part of IEEE Std 802.3bt-2018, IEEE Standard for Ethernet—Amendment 2: Physical Layer and Management Parameters for Power over Ethernet over 4 Pairs.

IEEE Std 802.3™ was first published in 1985. Since the initial publication, many projects have added functionality or provided maintenance updates to the specifications and text included in the standard. Each IEEE 802.3 project/amendment is identified with a suffix (e.g., IEEE Std 802.3ba™-2010).

The half duplex Media Access Control (MAC) protocol specified in IEEE Std 802.3-1985 is Carrier Sense Multiple Access with Collision Detection (CSMA/CD). This MAC protocol was key to the experimental Ethernet developed at Xerox Palo Alto Research Center, which had a 2.94 Mb/s data rate. Ethernet at 10 Mb/s was jointly released as a public specification by Digital Equipment Corporation (DEC), Intel and Xerox in 1980. Ethernet at 10 Mb/s was approved as an IEEE standard by the IEEE Standards Board in 1983 and subsequently published in 1985 as IEEE Std 802.3-1985. Since 1985, new media options, new speeds of operation, and new capabilities have been added to IEEE Std 802.3. A full duplex MAC protocol was added in 1997.

Some of the major additions to IEEE Std 802.3 are identified in the marketplace with their project number. This is most common for projects adding higher speeds of operation or new protocols. For example, IEEE Std 802.3u™ added 100 Mb/s operation (also called Fast Ethernet), IEEE Std 802.3z added 1000 Mb/s operation (also called Gigabit Ethernet), IEEE Std 802.3ae added 10 Gb/s operation (also called 10 Gigabit Ethernet), IEEE Std 802.3ah™ specified access network Ethernet (also called Ethernet in the First Mile) and IEEE Std 802.3ba added 40 Gb/s operation (also called 40 Gigabit Ethernet) and 100 Gb/s operation (also called 100 Gigabit Ethernet). These major additions are all now included in and are superseded by IEEE Std 802.3-2018 and are not maintained as separate documents.

At the date of publication for IEEE Std 802.3bt-2018, IEEE Std 802.3 was composed of the following documents:

IEEE Std 802.3-2018

Section One—Includes Clause 1 through Clause 20 and Annex A through Annex H and Annex 4A. Section One includes the specifications for 10 Mb/s operation and the MAC, frame formats and service interfaces used for all speeds of operation.

Section Two—Includes Clause 21 through Clause 33 and Annex 22A through Annex 33E. Section Two includes management attributes for multiple protocols and speed of operation as well as specifications for providing power over twisted pair cabling for multiple operational speeds. It also includes general information on 100 Mb/s operation as well as most of the 100 Mb/s Physical Layer specifications.

Section Three—Includes Clause 34 through Clause 43 and Annex 36A through Annex 43C. Section Three includes general information on 1000 Mb/s operation as well as most of the 1000 Mb/s Physical Layer specifications.

Section Four—Includes Clause 44 through Clause 55 and Annex 44A through Annex 55B. Section Four includes general information on 10 Gb/s operation as well as most of the 10 Gb/s Physical Layer specifications.

Section Five—Includes Clause 56 through Clause 77 and Annex 57A through Annex 76A. Clause 56 through Clause 67 and Clause 75 through Clause 77, as well as associated annexes, specify subscriber access and other Physical Layers and sublayers for operation from 512 kb/s to 10 Gb/s, and defines

services and protocol elements that enable the exchange of IEEE Std 802.3 format frames between stations in a subscriber access network. Clause 68 specifies a 10 Gb/s Physical Layer specification. Clause 69 through Clause 74 and associated annexes specify Ethernet operation over electrical backplanes at speeds of 1000 Mb/s and 10 Gb/s.

Section Six—Includes Clause 78 through Clause 95 and Annex 83A through Annex 93C. Clause 78 specifies Energy-Efficient Ethernet. Clause 79 specifies IEEE 802.3 Organizationally Specific Link Layer Discovery Protocol (LLDP) type, length, and value (TLV) information elements. Clause 80 through Clause 95 and associated annexes include general information on 40 Gb/s and 100 Gb/s operation as well the 40 Gb/s and 100 Gb/s Physical Layer specifications. Clause 90 specifies Ethernet support for time synchronization protocols.

Section Seven—Includes Clause 96 through Clause 115 and Annex 97A through Annex 115A. Clause 96 through Clause 98, Clause 104, and associated annexes, specify Physical Layers and optional features for 100 Mb/s and 1000 Mb/s operation over a single twisted pair. Clause 100 through Clause 103, as well as associated annexes, specify Physical Layers for the operation of the EPON protocol over coaxial distribution networks. Clause 105 through Clause 114 and associated annexes include general information on 25 Gb/s operation as well as 25 Gb/s Physical Layer specifications. Clause 99 specifies a MAC merge sublayer for the interspersing of express traffic. Clause 115 and its associated annex specify a Physical Layer for 1000 Mb/s operation over plastic optical fiber.

Section Eight—Includes Clause 116 through Clause 126 and Annex 119A through Annex 120E. Clause 116 through Clause 124 and associated annexes include general information on 200 Gb/s and 400 Gb/s operation as well the 200 Gb/s and 400 Gb/s Physical Layer specifications. Clause 125 and Clause 126 include general information on 2.5 Gb/s and 5 Gb/s operation as well as 2.5 Gb/s and 5 Gb/s Physical Layer specifications.

IEEE Std 802.3cb™-2018

Amendment 1—This amendment includes changes to IEEE Std 802.3-2018 and its amendments, and adds Clause 127 through Clause 130, Annex 127A, Annex 128A, Annex 128B, and Annex 130A. This amendment adds new Physical Layers for operation at 2.5 Gb/s and 5 Gb/s over electrical backplanes.

IEEE Std 802.3bt-2018

Amendment 2—This amendment includes changes to IEEE Std 802.3-2018 and adds Clause 145, Annex 145A, Annex 145B, and Annex 145C. This amendment adds power delivery using all four pairs in the structured wiring plant, resulting in greater power being available to end devices. This amendment also allows for lower standby power consumption in end devices and adds a mechanism to better manage the available power budget.

A companion document, IEEE Std 802.3.1, describes Ethernet management information base (MIB) modules for use with the Simple Network Management Protocol (SNMP). IEEE Std 802.3.1 is updated to add management capability for enhancements to IEEE Std 802.3 after approval of those enhancements.

IEEE Std 802.3 will continue to evolve. New Ethernet capabilities are anticipated to be added within the next few years as amendments to this standard.

Contents

1.	Introduction.....	21
1.3	Normative references.....	21
1.4	Definitions.....	21
1.5	Abbreviations.....	22
14.	Twisted-pair medium attachment unit (MAU) and baseband medium, type 10BASE-T including type 10BASE-Te.....	23
14.3	MAU electrical specifications.....	23
14.3.1	MAU-to-MDI interface characteristics.....	23
14.3.1.1	Isolation requirement.....	23
25.	Physical Medium Dependent (PMD) sublayer and baseband medium, type 100BASE-TX.....	24
25.4	Specific requirements and exceptions.....	24
25.4.5	Change to 9.1.7, “Worst case droop of transformer”.....	24
25.4.6	Replacement of 8.4.1, “UTP isolation requirements”.....	24
25.4.7	Addition to 10.1, “Receiver”.....	24
25.6	Protocol implementation conformance statement (PICS) proforma for Clause 25, Physical Medium Dependent (PMD) sublayer and baseband medium, type 100BASE-TX.....	25
25.6.3	Major capabilities/options.....	25
25.6.3.1	DTE Power via MDI Power over Ethernet major capabilities/options.....	25
25.6.4	PICS proforma tables for the Physical Medium Dependent (PMD) sublayer and baseband medium, type 100BASE-TX.....	25
25.6.4.4	DTE Power via MDI Power over Ethernet compliance.....	25
30.	Management.....	26
30.2	Managed objects.....	26
30.2.2	Overview of managed objects.....	26
30.2.2.1	Text description of managed objects.....	26
30.2.3	Containment.....	26
30.2.5	Capabilities.....	27
30.9	Management for DTE Power via MDI Power over Ethernet.....	35
30.9.1	PSE managed object class.....	35
30.9.1.1	PSE attributes.....	35
30.9.1.1.2	aPSEAdminState.....	35
30.9.1.1.3	aPSEPowerPairsControlAbility.....	35
30.9.1.1.4	aPSEPowerPairs.....	35
30.9.1.1.5	aPSEPowerDetectionStatus.....	36
30.9.1.1.5a	aPSEPowerDetectionStatusA.....	36
30.9.1.1.5b	aPSEPowerDetectionStatusB.....	37
30.9.1.1.6	aPSEPowerClassification.....	37
30.9.1.1.6a	aPSEPowerClassificationA.....	38
30.9.1.1.6b	aPSEPowerClassificationB.....	38
30.9.1.1.7	aPSEInvalidSignatureCounter.....	39
30.9.1.1.7a	aPSEInvalidSignatureCounterA.....	39
30.9.1.1.7b	aPSEInvalidSignatureCounterB.....	39
30.9.1.1.8	aPSEPowerDeniedCounter.....	39
30.9.1.1.8a	aPSEPowerDeniedCounterA.....	40

30.9.1.1.8b	aPSEPowerDeniedCounterB	40
30.9.1.1.9	aPSEOverLoadCounter.....	40
30.9.1.1.9a	aPSEOverLoadCounterA.....	40
30.9.1.1.10	aPSEShortCounter aPSEOverLoadCounterB.....	41
30.9.1.1.11	aPSEMPSAbsentCounter.....	41
30.9.1.1.11a	aPSEMPSAbsentCounterA.....	41
30.9.1.1.11b	aPSEMPSAbsentCounterB.....	42
30.9.1.2	PSE actions	42
30.9.1.2.1	acPSEAdminControl.....	42
30.12	Layer Management for Link Layer Discovery Protocol (LLDP)	42
30.12.2	LLDP Local System Group managed object class	42
30.12.2.1	LLDP Local System Group attributes	42
30.12.2.1.6	aLldpXdot3LocPowerMDISupported	42
30.12.2.1.7	aLldpXdot3LocPowerMDIEnabled.....	42
30.12.2.1.8	aLldpXdot3LocPowerPairControllable	43
30.12.2.1.9	aLldpXdot3LocPowerPairs.....	43
30.12.2.1.10	aLldpXdot3LocPowerClass	43
30.12.2.1.14	aLldpXdot3LocPowerType	44
30.12.2.1.17	aLldpXdot3LocPDRRequestedPowerValue	44
30.12.2.1.17a	aLldpXdot3LocPDRRequestedPowerValueA	44
30.12.2.1.17b	aLldpXdot3LocPDRRequestedPowerValueB.....	45
30.12.2.1.18	aLldpXdot3LocPSEAllocatedPowerValue.....	45
30.12.2.1.18a	aLldpXdot3LocPSEAllocatedPowerValueA	45
30.12.2.1.18b	aLldpXdot3LocPSEAllocatedPowerValueB.....	45
30.12.2.1.18c	aLldpXdot3LocPSEPoweringStatus.....	46
30.12.2.1.18d	aLldpXdot3LocPDPoweredStatus	46
30.12.2.1.18e	aLldpXdot3LocPowerPairsExt	46
30.12.2.1.18f	aLldpXdot3LocPowerClassExtA.....	46
30.12.2.1.18g	aLldpXdot3LocPowerClassExtB	47
30.12.2.1.18h	aLldpXdot3LocPowerClassExt	47
30.12.2.1.18i	aLldpXdot3LocPowerTypeExt.....	48
30.12.2.1.18j	aLldpXdot3LocPDLoad.....	48
30.12.2.1.18k	aLldpXdot3LocPD4PID	48
30.12.2.1.18l	aLldpXdot3LocPSEMaxAvailPower.....	48
30.12.2.1.18m	aLldpXdot3LocPSEAutoclassSupport.....	48
30.12.2.1.18n	aLldpXdot3LocAutoclassCompleted.....	49
30.12.2.1.18o	aLldpXdot3LocAutoclassRequest	49
30.12.2.1.18p	aLldpXdot3LocPowerDownRequest.....	49
30.12.2.1.18q	aLldpXdot3LocPowerDownTime	49
30.12.2.1.18r	aLldpXdot3LocMeasVoltageSupport	49
30.12.2.1.18s	aLldpXdot3LocMeasCurrentSupport	50
30.12.2.1.18t	aLldpXdot3LocMeasPowerSupport	50
30.12.2.1.18u	aLldpXdot3LocMeasEnergySupport	50
30.12.2.1.18v	aLldpXdot3LocMeasurementSource	50
30.12.2.1.18w	aLldpXdot3LocMeasVoltageRequest.....	50
30.12.2.1.18x	aLldpXdot3LocMeasCurrentRequest	50
30.12.2.1.18y	aLldpXdot3LocMeasPowerRequest	51
30.12.2.1.18z	aLldpXdot3LocMeasEnergyRequest.....	51
30.12.2.1.18aa	aLldpXdot3LocMeasVoltageValid.....	51
30.12.2.1.18ab	aLldpXdot3LocMeasCurrentValid	51
30.12.2.1.18ac	aLldpXdot3LocMeasPowerValid	51
30.12.2.1.18ad	aLldpXdot3LocMeasEnergyValid.....	52
30.12.2.1.18ae	aLldpXdot3LocMeasVoltageUncertainty.....	52
30.12.2.1.18af	aLldpXdot3LocMeasCurrentUncertainty	52

30.12.2.1.18ag	aLldpXdot3LocMeasPowerUncertainty	52
30.12.2.1.18ah	aLldpXdot3LocMeasEnergyUncertainty	52
30.12.2.1.18ai	aLldpXdot3LocVoltageMeasurement	53
30.12.2.1.18aj	aLldpXdot3LocCurrentMeasurement	53
30.12.2.1.18ak	aLldpXdot3LocPowerMeasurement	53
30.12.2.1.18al	aLldpXdot3LocEnergyMeasurement	53
30.12.2.1.18am	aLldpXdot3LocPSEPowerPriceIndex	53
30.12.3	LLDP Remote System Group managed object class	54
30.12.3.1	LLDP Remote System Group attributes	54
30.12.3.1.6	aLldpXdot3RemPowerMDISupported	54
30.12.3.1.7	aLldpXdot3RemPowerMDIEnabled	54
30.12.3.1.8	aLldpXdot3RemPowerPairControllable	54
30.12.3.1.9	aLldpXdot3RemPowerPairs	54
30.12.3.1.10	aLldpXdot3RemPowerClass	55
30.12.3.1.14	aLldpXdot3RemPowerType	55
30.12.3.1.17	aLldpXdot3RemPDRRequestedPowerValue	55
30.12.3.1.17a	aLldpXdot3RemPDRRequestedPowerValueA	56
30.12.3.1.17b	aLldpXdot3RemPDRRequestedPowerValueB	56
30.12.3.1.18	aLldpXdot3RemPSEAllocatedPowerValue	56
30.12.3.1.18a	aLldpXdot3RemPSEAllocatedPowerValueA	57
30.12.3.1.18b	aLldpXdot3RemPSEAllocatedPowerValueB	57
30.12.3.1.18c	aLldpXdot3RemPSEPoweringStatus	57
30.12.3.1.18d	aLldpXdot3RemPDPoweredStatus	57
30.12.3.1.18e	aLldpXdot3RemPowerPairsExt	58
30.12.3.1.18f	aLldpXdot3RemPowerClassExtA	58
30.12.3.1.18g	aLldpXdot3RemPowerClassExtB	58
30.12.3.1.18h	aLldpXdot3RemPowerClassExt	59
30.12.3.1.18i	aLldpXdot3RemPowerTypeExt	59
30.12.3.1.18j	aLldpXdot3RemPDLoad	59
30.12.3.1.18k	aLldpXdot3RemPD4PID	60
30.12.3.1.18l	aLldpXdot3RemPSEMaxAvailPower	60
30.12.3.1.18m	aLldpXdot3RemPSEAutoclassSupport	60
30.12.3.1.18n	aLldpXdot3RemAutoclassCompleted	60
30.12.3.1.18o	aLldpXdot3RemAutoclassRequest	60
30.12.3.1.18p	aLldpXdot3RemPowerDownRequest	60
30.12.3.1.18q	aLldpXdot3RemPowerDownTime	61
30.12.3.1.18r	aLldpXdot3RemMeasVoltageSupport	61
30.12.3.1.18s	aLldpXdot3RemMeasCurrentSupport	61
30.12.3.1.18t	aLldpXdot3RemMeasPowerSupport	61
30.12.3.1.18u	aLldpXdot3RemMeasEnergySupport	61
30.12.3.1.18v	aLldpXdot3RemMeasurementSource	62
30.12.3.1.18w	aLldpXdot3RemMeasVoltageRequest	62
30.12.3.1.18x	aLldpXdot3RemMeasCurrentRequest	62
30.12.3.1.18y	aLldpXdot3RemMeasPowerRequest	62
30.12.3.1.18z	aLldpXdot3RemMeasEnergyRequest	62
30.12.3.1.18aa	aLldpXdot3RemMeasVoltageValid	63
30.12.3.1.18ab	aLldpXdot3RemMeasCurrentValid	63
30.12.3.1.18ac	aLldpXdot3RemMeasPowerValid	63
30.12.3.1.18ad	aLldpXdot3RemMeasEnergyValid	63
30.12.3.1.18ae	aLldpXdot3RemMeasVoltageUncertainty	63
30.12.3.1.18af	aLldpXdot3RemMeasCurrentUncertainty	63
30.12.3.1.18ag	aLldpXdot3RemMeasPowerUncertainty	64
30.12.3.1.18ah	aLldpXdot3RemMeasEnergyUncertainty	64
30.12.3.1.18ai	aLldpXdot3RemVoltageMeasurement	64

30.12.3.1.18aj	aLldpXdot3RemCurrentMeasurement.....	64
30.12.3.1.18ak	aLldpXdot3RemPowerMeasurement.....	64
30.12.3.1.18al	aLldpXdot3RemEnergyMeasurement.....	65
30.12.3.1.18am	aLldpXdot3RemPSEPowerPriceIndex.....	65
33.	<u>Data Terminal Equipment (DTE) Power via Media Dependent Interface (MDI) Power over Ethernet over 2 Pairs</u>	66
33.1	Overview.....	66
33.1.1	Objectives.....	66
33.1.3	Relationship of <u>DTE Power via MDI Power over Ethernet</u> to the IEEE 802.3 Architecture.....	67
33.2	Power sourcing equipment (PSE).....	68
33.2.1	PSE location.....	68
33.2.2	Midspan PSE types.....	68
33.3	Powered devices (PDs).....	69
33.3.1	PD PI.....	69
33.4	Additional electrical specifications.....	69
33.4.2	Fault tolerance.....	69
33.4.3	Impedance balance.....	69
33.4.4	Common-mode output voltage.....	70
33.4.6	Differential noise voltage.....	71
33.4.7	Return loss.....	71
33.4.9	Midspan PSE device additional requirements.....	71
33.4.9.1	“Connector” or “telecom outlet” Midspan PSE device transmission requirements.....	71
33.4.9.1.1	Near End Crosstalk (NEXT).....	72
33.4.9.1.2	Insertion loss.....	73
33.4.9.1.3	Return loss.....	73
33.4.9.1a	33.4.9.1.4 Work area or equipment cable Cord Midspan PSE.....	73
33.4.9.1a.1	Maximum link delay.....	74
33.4.9.1a.2	Maximum link delay skew.....	74
33.4.9.1b	Coupling parameters between link segments.....	74
33.4.9.1b.1	Multiple disturber power sum alien near-end crosstalk (PSANEXT) loss.....	75
33.4.9.1b.2	Multiple disturber power sum alien far-end crosstalk (PSAFEXT) loss.....	75
33.6	Data Link Layer classification.....	75
33.6.3	Power control state diagrams.....	75
33.6.3.3	Variables.....	75
33.8	Protocol implementation conformance statement (PICS) proforma for Clause 33, <u>DTE Power via MDI Power over Ethernet over 2 Pairs</u>	76
33.8.1	Introduction.....	76
33.8.2	Identification.....	76
33.8.2.2	Protocol summary.....	76
33.8.3	PICS proforma tables for DTE Power via MDI Power over Ethernet over 2 Pairs.....	77
33.8.3.4	Electrical specifications applicable to the PSE and PD.....	77
40.	Physical Coding Sublayer (PCS), Physical Medium Attachment (PMA) sublayer and baseband medium, type 1000BASE-T.....	78
40.6	PMA electrical specifications.....	78
40.6.1	PMA-to-MDI interface tests.....	78
40.6.1.1	Isolation requirement.....	78

55.	Physical Coding Sublayer (PCS), Physical Medium Attachment (PMA) sublayer and baseband medium, type 10GBASE-T.....	79
55.5	PMA electrical specifications	79
55.5.1	Isolation requirement	79
79.	IEEE 802.3 Organizationally Specific Link Layer Discovery Protocol (LLDP) type, length, and value (TLV) information elements	80
79.1	Overview.....	80
79.1.1	IEEE 802.3 LLDP frame format.....	80
79.1.1.3	Length/Type field	80
79.3	IEEE 802.3 Organizationally Specific TLVs	80
79.3.2	Power Via MDI TLV	80
79.3.2.1	MDI power support.....	82
79.3.2.1.1	Port class	82
79.3.2.1.2	PSE MDI power support.....	82
79.3.2.1.3	PSE MDI power state	82
79.3.2.1.4	PSE pairs control ability	82
79.3.2.2	PSE power pair	83
79.3.2.3	Power class	83
79.3.2.4	Requested pPower type/source/priority	84
79.3.2.4.1	Power type	84
79.3.2.4.2a	PD 4PID.....	84
79.3.2.5	PD requested power value	85
79.3.2.6	PSE allocated power value	85
79.3.2.6a	Dual-signature PD requested power value for Mode A and Mode B.....	86
79.3.2.6b	PSE allocated power value Alternative A and Alternative B	86
79.3.2.6c	Power status	87
79.3.2.6c.1	PSE powering status	88
79.3.2.6c.2	PD powered status	88
79.3.2.6c.3	PSE power pairs ext.....	88
79.3.2.6c.4	Dual-signature power Class ext Mode A	88
79.3.2.6c.5	Dual-signature power Class ext Mode B	89
79.3.2.6c.6	Power Class ext.....	89
79.3.2.6d	System setup	89
79.3.2.6d.1	Power Type ext.....	89
79.3.2.6d.2	PD Load.....	89
79.3.2.6e	PSE maximum available power value	89
79.3.2.6f	Autoclass.....	90
79.3.2.6f.1	PSE Autoclass support.....	90
79.3.2.6f.2	Autoclass completed.....	90
79.3.2.6f.3	Autoclass request	90
79.3.2.6g	Power down	91
79.3.2.6g.1	Power down request.....	91
79.3.2.6g.2	Power down time	91
79.3.8	Power via MDI Measurements TLV	91
79.3.8.1	Measurements	91
79.3.8.2	PSE power price index.....	93
79.3.8.3	Power Via MDI Measurements TLV usage rules.....	94
79.4	IEEE 802.3 Organizationally Specific TLV selection management	94
79.4.2	IEEE 802.3 Organizationally Specific TLV/LLDP Local and Remote System group managed object class cross references.....	94

79.5	Protocol implementation conformance statement (PICS) proforma for IEEE 802.3 Organizational Specific Link Layer Discovery Protocol (LLDP) type, length, and value (TLV) information elements	98
79.5.3	Major capabilities/options	98
79.5.8	Power Via MDI TLV	99
79.5.12	Power via MDI Measurements TLV	102
126.	Physical Coding Sublayer (PCS), Physical Medium Attachment (PMA) sublayer, and baseband medium, types 2.5GBASE-T and 5GBASE-T	103
126.5	PMA electrical specifications	103
126.5.1	Isolation requirement	103
145.	Power over Ethernet	104
145.1	Overview	104
145.1.1	Compatibility considerations	105
145.1.2	Relationship of Power over Ethernet to the IEEE 802.3 Architecture	105
145.1.3	System parameters	106
145.1.4	Cabling requirements	108
145.2	Power sourcing equipment (PSE)	109
145.2.1	PSE Type descriptions	109
145.2.2	PSE location	110
145.2.3	Midspan PSE variants	110
145.2.4	PSE PI	117
145.2.5	PSE state diagrams	118
145.2.5.1	State diagram overview and timing	118
145.2.5.2	Conventions	119
145.2.5.3	Constants	120
145.2.5.4	Variables	120
145.2.5.5	Timers	130
145.2.5.6	Functions	132
145.2.5.7	State diagrams	137
145.2.6	PSE detection of PDs	152
145.2.6.1	PSE detection validation circuit	152
145.2.6.2	Detection probe requirements	153
145.2.6.3	Detection criteria	154
145.2.6.4	Rejection criteria	154
145.2.6.5	Open circuit criteria	155
145.2.7	Connection check	155
145.2.8	PSE classification of PDs and mutual identification	155
145.2.8.1	PSE Multiple-Event Physical Layer classification	159
145.2.8.2	Autoclass (optional)	162
145.2.9	4PID requirements	163
145.2.10	Power supply output	163
145.2.10.1	Output voltage in the power on states	167
145.2.10.2	Output voltage pair-to-pair difference	167
145.2.10.3	Voltage transients	167
145.2.10.4	Reflected voltage	167
145.2.10.5	Power feeding ripple and noise	167
145.2.10.6	Continuous current capability in the power on states	167
145.2.10.6.1	PSE pair-to-pair current unbalance	170
145.2.10.7	Current during power up	172
145.2.10.8	Overload current	174

145.2.10.9	Short circuit current	174
145.2.10.10	Turn off time	177
145.2.10.11	Turn off voltage	177
145.2.10.12	Intra-pair current unbalance	177
145.2.10.13	Type power	177
145.2.10.14	Power turn on time	178
145.2.10.15	Error delay timing	178
145.2.10.16	PSE stability	178
145.2.11	Power supply allocation	178
145.2.12	PSE Maintain Power Signature (MPS) requirements	178
145.3	Powered devices (PDs)	179
145.3.1	PD Type descriptions	180
145.3.2	PD PI	180
145.3.3	PD state diagrams	182
145.3.3.1	Conventions	182
145.3.3.2	Mode designation	182
145.3.3.3	Single-signature PD state diagrams	182
145.3.3.3.1	Constants	182
145.3.3.3.2	Variables	182
145.3.3.3.3	Timers	185
145.3.3.3.4	Functions	186
145.3.3.3.5	State diagrams	187
145.3.3.4	Dual-signature PD state diagram	189
145.3.3.4.1	Constants	189
145.3.3.4.2	Variables	189
145.3.3.4.3	Timers	192
145.3.3.4.4	Functions	192
145.3.3.4.5	State diagram	193
145.3.4	PD valid and non-valid detection signatures	194
145.3.5	PD signature configurations	196
145.3.6	PD classification	197
145.3.6.1	PD Multiple-Event class signature	198
145.3.6.1.1	Mark Event behavior	200
145.3.6.2	Autoclass (optional)	200
145.3.7	PSE Type identification	201
145.3.8	PD power	201
145.3.8.1	Input voltage	204
145.3.8.2	Input average power	204
145.3.8.2.1	Input average power exceptions	205
145.3.8.2.2	System stability test conditions during startup and steady state operation	205
145.3.8.3	Input inrush current	205
145.3.8.4	Peak operating power	206
145.3.8.4.1	Peak operating power exceptions	207
145.3.8.5	Input current slew rate	207
145.3.8.6	PD behavior during transients at the PSE PI	207
145.3.8.7	Ripple and noise	208
145.3.8.8	Reflected voltage	208
145.3.8.9	PD pair-to-pair current unbalance	209
145.3.9	PD Maintain Power Signature	211
145.4	Additional electrical specifications	213
145.4.1	Isolation	213
145.4.1.1	Electrical isolation environments	213
145.4.1.1.1	Environment A requirements	214

145.4.1.1.2	Environment B requirements	214
145.4.2	Fault tolerance.....	214
145.4.3	Impedance balance.....	215
145.4.4	Common-mode output voltage	216
145.4.5	Pair-to-pair output noise voltage.....	218
145.4.6	Differential noise voltage.....	218
145.4.7	Return loss	219
145.4.8	100BASE-TX transformer droop.....	219
145.4.9	Midspan PSE device additional requirements	219
145.4.9.1	Connector Midspan PSE device transmission requirements	221
145.4.9.1.1	Near End Crosstalk (NEXT).....	221
145.4.9.1.2	Insertion loss	222
145.4.9.1.3	Return loss	222
145.4.9.2	Cord Midspan PSE.....	222
145.4.9.2.1	Maximum link delay	223
145.4.9.2.2	Maximum link delay skew.....	223
145.4.9.3	Midspan signal path requirements	223
145.4.9.3.1	Alternative A Midspan PSE signal path transfer function.....	223
145.4.9.4	Coupling parameters between link segments.....	224
145.4.9.4.1	Multiple disturber power sum alien near-end crosstalk (PSANEXT) loss.....	224
145.4.9.4.2	Multiple disturber power sum alien far-end crosstalk (PSAFEXT) loss	224
145.5	Data Link Layer classification.....	225
145.5.1	TLV frame definition.....	225
145.5.2	Data Link Layer classification timing requirements.....	225
145.5.3	Power control state diagrams	225
145.5.3.1	Conventions	226
145.5.3.2	PSE power control state diagrams	226
145.5.3.2.1	Alternative designation	226
145.5.3.2.2	Variables	226
145.5.3.2.3	Functions.....	230
145.5.3.2.4	Attribute to state diagram variable mapping.....	231
145.5.3.2.5	State diagrams.....	232
145.5.3.3	Single-signature PD power control state diagrams.....	236
145.5.3.3.1	Variables	236
145.5.3.3.2	Timers	238
145.5.3.3.3	Functions.....	238
145.5.3.3.4	Attribute to state diagram variable mapping.....	239
145.5.3.3.5	State diagrams.....	240
145.5.3.4	Dual-signature PD power control state diagrams	241
145.5.3.4.1	Mode designation.....	241
145.5.3.4.2	Variables	242
145.5.3.4.3	Functions.....	244
145.5.3.4.4	Attribute to state diagram variable mapping.....	245
145.5.3.4.5	State diagrams.....	246
145.5.4	Power requests and allocations	248
145.5.5	State change procedure across a link (single-signature).....	248
145.5.5.1	PSE state change procedure across a link (single-signature).....	249
145.5.5.2	PD state change procedure across a link (single-signature)	249
145.5.6	State change procedure across a link (dual-signature).....	250
145.5.6.1	Transitions between 2-pair and 4-pair mode (dual-signature).....	250
145.5.6.2	PSE state change procedure across a link (dual-signature)	251
145.5.6.3	PD state change procedure across a link (dual-signature)	251

145.5.7	Autoclass.....	251
145.6	Environmental.....	252
145.6.1	General safety	252
145.6.2	Network safety.....	252
145.6.3	Installation and maintenance guidelines	252
145.6.4	Patch panel considerations.....	253
145.6.5	Electromagnetic emissions	253
145.6.6	Temperature and humidity.....	253
145.6.7	Labeling	253
145.7	Protocol implementation conformance statement (PICS) proforma for Clause 145, Power over Ethernet.....	254
145.7.1	Introduction.....	254
145.7.2	Identification.....	254
145.7.2.1	Implementation identification.....	254
145.7.2.2	Protocol summary	254
145.7.2.3	PD Major capabilities/options	255
145.7.2.4	PSE Major capabilities/options.....	256
145.7.3	PICS proforma tables for Power over Ethernet	257
145.7.3.1	Power sourcing equipment.....	257
145.7.3.2	Powered devices	262
145.7.3.3	Electrical specifications applicable to the PSE and PD.....	267
145.7.3.4	Electrical specifications applicable to the PSE.....	269
145.7.3.5	Electrical specifications applicable to the PD.....	271
145.7.3.6	Data Link Layer classification requirements	271
145.7.3.7	Environmental specifications applicable to PSEs and PDs	272
145.7.3.8	Environmental specifications applicable to the PSE	272
	Annex A (informative) Bibliography	273
	Annex 145A (informative) Resistance and current unbalance	274
145A.1	Intra pair resistance unbalance.....	274
145A.2	Pair-to-pair unbalance overview	274
145A.3	Pair-to-pair link section resistance unbalance requirements for 4-pair operation	276
145A.4	PSE resistance and current unbalance	276
145A.4.1	Direct RPSE measurement	277
145A.5	PD resistance and current unbalance	278
	Annex 145B (informative) Timing diagrams	279
145B.1	CC_DET_SEQ timing diagrams.....	279
145B.1.1	CC_DET_SEQ=0 timing diagrams.....	279
145B.1.2	CC_DET_SEQ=1 timing diagrams.....	280
145B.1.3	CC_DET_SEQ=2 timing diagrams.....	281
145B.1.4	CC_DET_SEQ=3 timing diagrams.....	282
145B.2	PSE Single-Event Physical Layer classification timing diagram	283
145B.3	PSE Multiple-Event Physical Layer classification timing diagram.....	283
	Annex 145C (informative) Power system and parameters	285
145C.1	Constant power	285
145C.2	Current	287
145C.3	Direct current resistance (DCR)	288
145C.4	Bundled cabling applications.....	289

IEEE Standard for Ethernet

Amendment 2: Physical Layer and Management Parameters for Power over Ethernet over 4 Pairs

[This amendment is based on IEEE Std 802.3™-2018 as amended by IEEE Std 802.3cb™-2018.]

NOTE—The editing instructions contained in this amendment define how to merge the material contained therein into the existing base standard and its amendments to form the comprehensive standard.

The editing instructions are shown in **bold italic**. Four editing instructions are used: change, delete, insert, and replace. **Change** is used to make corrections in existing text or tables. The editing instruction specifies the location of the change and describes what is being changed by using ~~strike through~~ (to remove old material) and underscore (to add new material). **Delete** removes existing material. **Insert** adds new material without disturbing the existing material. Deletions and insertions may require renumbering. If so, renumbering instructions are given in the editing instruction. **Replace** is used to make changes in figures or equations by removing the existing figure or equation and replacing it with a new one. Editing instructions, change markings, and this NOTE will not be carried over into future editions because the changes will be incorporated into the base standard.

Cross references that refer to clauses, tables, equations, or figures not covered by this amendment are highlighted in green.¹

¹ Notes in text, tables, and figures are given for information only and do not contain requirements needed to implement the standard.

1. Introduction

1.3 Normative references

Insert the following reference into 1.3 in alphanumeric order:

ANSI/TIA-568.0-D, Generic Telecommunications Cabling for Customer Premises.²

1.4 Definitions

Insert the following new term and definition, 1.4.139a, after 1.4.139 “agile device”:

1.4.139a ampacity: The maximum current, in ampere, that a conductor can carry continuously under the conditions of use without exceeding its temperature rating.

Insert the following new term and definition, 1.4.236a, after 1.4.236 “dual duplex”:

1.4.236a dual-signature PD: A PD that has independent detection signatures, class signatures, and maintain power signatures on each pairset. (See IEEE Std 802.3, Clause 145.)

Insert the following new term and definition, 1.4.287a, after 1.4.287 “Idle mode”:

1.4.287a IEEE 802.3 Power over Ethernet (IEEE 802.3 PoE): A system consisting of one PSE and one PD that provides power across balanced twisted-pair cabling. (See IEEE Std 802.3, Clause 33 and Clause 145.)

Change 1.4.308 as follows:

1.4.308 link section: ~~The point-to-point medium connection between the active PSE Power Interface (PI) and the PD PI.~~ The portion of the link between the PSE Power Interface (PI) and the PD PI.

Insert the following new term and definition, 1.4.374a, after 1.4.374 “page”:

1.4.374a pairset: Either of the two valid 4-conductor connections, Alternative A or Alternative B, as listed in IEEE Std 802.3, 145.2.4. ~~The PSE Alternative A and Alternative B connections are referred to as Mode A and Mode B, respectively, at the PD.~~

Change 1.4.407 as follows:

1.4.407 Power Sourcing Equipment (PSE): ~~A DTE or midspan device that provides the power to a single link section. PSEs are defined for use with two different types of balanced twisted-pair PHYs. When used with 2 or 4 pair balanced twisted-pair (BASE-T) PHYs, (see IEEE Std 802.3, Clause 33), DTE powering is intended to provide a single 10BASE-T, 100BASE-TX, or 1000BASE-T device with a unified interface for both the data it requires and the power to process these data. When used with single balanced twisted-pair (BASE-T1) PHYs (see IEEE Std 802.3, Clause 104), DTE powering is intended to provide a single 100BASE-T1 or 1000BASE-T1 device with a unified interface for both the data it requires and the power to process these data. A PSE used with balanced single twisted-pair PHYs is also referred to as a PoDL PSE. A DTE or midspan device that provides power to a single link section, which may also carry data (for 2 or~~

² ANSI/TIA publications are available from the IHS Standards Store (<http://global.ihs.com/>) or from the Telecommunications Industry Association (<http://www.tiaonline.org>).

4 pair systems, see IEEE Std 802.3, Clause 33 and Clause 145; for single pair systems, see IEEE Std 802.3, Clause 104).

Insert the following new term and definition, 1.4.453a, after 1.4.453 “single-port device”:

1.4.453a single-signature PD: A PD that simultaneously shares the same detection signature, class signature, and maintain power signature between both pairs. (See IEEE Std 802.3, Clause 145.)

Change 1.4.488, 1.4.489, 1.4.490, and 1.4.491 as follows:

1.4.488 Type 1 PD: A PD that ~~provides a Class 0, 1, 2, or 3 signature requests Class 0 to Class 3 during Physical Layer classification, and that is not a PoDL PD.~~ (See IEEE Std 802.3, Clause 33.)

1.4.489 Type 1 PSE: A PSE that ~~supports only a Type 1 PD Class 0 to Class 3 power levels, and provides power over 2 pairs.~~ (See IEEE Std 802.3, Clause 33.)

1.4.490 Type 2 PD: A PD that ~~provides a Class 4 signature during Physical Layer classification, understands 2-Event classification, and is capable of Data Link Layer classification requests Class 4 during Physical Layer classification, supports 2-Event Classification, and supports Data Link Layer classification.~~ (See IEEE Std 802.3, Clause 33.)

1.4.491 Type 2 PSE: A PSE that ~~supports both a Type 1 and a Type 2 PD Class 0 to Class 4 power levels and provides power over 2 pairs.~~ (See IEEE Std 802.3, Clause 33.)

Insert the following new terms and definitions, 1.4.491a to 1.4.491d, after 1.4.491 “Type 2 PSE”:

1.4.491a Type 3 PD: A single-signature PD that requests Class 1 to Class 6, or a dual-signature PD that requests Class 1 to Class 4 on both Modes, during Physical Layer classification. Additionally, the PD implements Multiple-Event classification and accepts power on both Modes simultaneously. (See IEEE Std 802.3, Clause 145.)

1.4.491b Type 3 PSE: A PSE that supports up to Class 6 power levels, supports short MPS, and may support 4-pair power. (See IEEE Std 802.3, Clause 145.)

1.4.491c Type 4 PD: A single-signature PD that requests Class 7 or Class 8, or a dual-signature PD that request Class 5 on at least one Mode, during Physical Layer classification. Additionally, the PD implements Multiple-Event classification, is capable of Data Link Layer classification, and accepts power on both Modes simultaneously. (See IEEE Std 802.3, Clause 145.)

1.4.491d Type 4 PSE: A PSE that supports at least Class 7 power levels, in addition to lower PD Classes, short MPS, and 4-pair power. (See IEEE Std 802.3, Clause 145.)

Delete the definitions for I_{Port} (1.4.294), V_{PD} (1.4.502), and V_{PSE} (1.4.503).

1.5 Abbreviations

Insert the following new abbreviation into 1.5 in alphabetic order:

PoE Power over Ethernet

14. Twisted-pair medium attachment unit (MAU) and baseband medium, type 10BASE-T including type 10BASE-Te

14.3 MAU electrical specifications

14.3.1 MAU-to-MDI interface characteristics

14.3.1.1 Isolation requirement

Change the first paragraph of 14.3.1.1 as follows:

A MAU with a MDI that is a PI (see 33.1.3) shall meet the isolation requirements defined in 33.4.1 or 145.4.1.

STANDARDSISO.COM : Click to view the full PDF of ISO/IEC/IEEE 8802-3:2021/Amd 2:2021

25. Physical Medium Dependent (PMD) sublayer and baseband medium, type 100BASE-TX

25.4 Specific requirements and exceptions

25.4.5 Change to 9.1.7, “Worst case droop of transformer”

Change 25.4.5 as follows:

A 100BASE-TX receiver in a Type 2, Type 3, or Type 4 Endpoint PSE or Type 2, Type 3, or Type 4 PD (see Clause 33 and Clause 145) shall meet the requirements of 25.4.7. A 100BASE-TX transmitter in a Type 2 Endpoint PSE or Type 2 PD delivering or accepting more than 13.0 W average power shall meet either the Open Circuit Inductance (OCL) requirement in 9.1.7 of TP-PMD; or meet the requirements of 25.4.5.1. A 100BASE-TX transmitter in a Type 3 or Type 4 Endpoint PSE or Type 3 or Type 4 PD shall meet either the Open Circuit Inductance (OCL) requirement in 9.1.7 of TP-PMD, or meet the requirements of 25.4.5.1.

25.4.6 Replacement of 8.4.1, “UTP isolation requirements”

Change the first paragraph of 25.4.6 as follows:

A PMD with a MDI that is a PI (see 33.1.3 and 145.1.3) shall meet the isolation requirements defined in 33.4.1 and 145.4.1.

25.4.7 Addition to 10.1, “Receiver”

Change 25.4.7 as follows:

Differential voltage signals generated by a remote transmitter that meets the specifications of Clause 25; passed through a link specified in 25.4.8; and received at the MDI of a 100BASE-TX PMD in a Type 2, Type 3, or Type 4 Endpoint PSE or a Type 2, Type 3, or Type 4 PD shall be translated into one of the PMD_UNITDATA.indicate messages with a bit error ratio less than 10^{-9} after link reset completion.

**25.6 Protocol implementation conformance statement (PICS) proforma for Clause 25,
Physical Medium Dependent (PMD) sublayer and baseband medium, type
100BASE-TX³**

25.6.3 Major capabilities/options

Change the title of 25.6.3.1 as follows:

25.6.3.1 ~~DTE Power via MDI~~ Power over Ethernet major capabilities/options

**25.6.4 PICS proforma tables for the Physical Medium Dependent (PMD) sublayer and
baseband medium, type 100BASE-TX**

Change the title of 25.6.4.4 as follows:

25.6.4.4 ~~DTE Power via MDI~~ Power over Ethernet compliance

STANDARDSISO.COM : Click to view the full PDF of ISO/IEC/IEEE 8802-3:2021/Amd 2:2021

³ *Copyright release for PICS proformas:* Users of this standard may freely reproduce the PICS proforma in this subclause so that it can be used for its intended purpose and may further publish the completed PICS.

30. Management

30.2 Managed objects

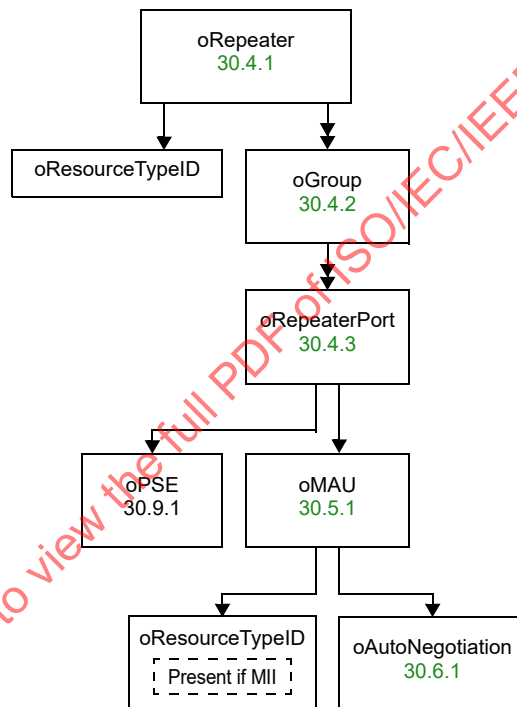
30.2.2 Overview of managed objects

30.2.2.1 Text description of managed objects

Delete entry “oPD” and its description (“The managed object ... PSE system.”) in 30.2.2.1.

30.2.3 Containment

Replace Figure 30-4 as follows (oPD object deleted):



————> Denotes one-to-many relationship
 ————> Denotes one-to-one relationship

Figure 30–4—Repeater entity relationship diagram

30.2.5 Capabilities

Change Table 30-4 as follows:

Table 30-4—DTE Power via MDI capabilities

				PSE Basic Package (mandatory)	PSE Recommended Package (optional)	Midspan Basic Capability (mandatory)	PD Basic Package (mandatory)
oResourceTypeID managed object							
aResourceTypeIDName	ATTRIBUTE	GET				X	
aResourceInfo	ATTRIBUTE	GET				X	
oMidSpan managed object class (30.10.1)							
aMidSpanID	ATTRIBUTE	GET				X	
aMidSpanPSEGroupCapacity	ATTRIBUTE	GET				X	
aMidSpanPSEGroupMap	ATTRIBUTE	GET				X	
nMidSpanPSEGroupMapChange	NOTIFICATION					X	
oPSEGroup managed object class (30.10.2)							
aPSEGroupID	ATTRIBUTE	GET				X	
aPSECapacity	ATTRIBUTE	GET				X	
aPSEMap	ATTRIBUTE	GET				X	
nPSEMapChange	NOTIFICATION					X	
oPSE managed object class (30.9.1)							
aPSEID	ATTRIBUTE	GET	X				
aPSEAdminState	ATTRIBUTE	GET	X				
aPSEPowerPairsControlAbility	ATTRIBUTE	GET	X				
aPSEPowerPairs	ATTRIBUTE	GET-SET	X				
aPSEPowerDetectionStatus	ATTRIBUTE	GET	X				
aPSEPowerDetectionStatusA	ATTRIBUTE	GET	X				
aPSEPowerDetectionStatusB	ATTRIBUTE	GET	X				
aPSEPowerClassification	ATTRIBUTE	GET		X			
aPSEPowerClassificationA	ATTRIBUTE	GET		X			
aPSEPowerClassificationB	ATTRIBUTE	GET		X			
aPSEInvalidSignatureCounter	ATTRIBUTE	GET	X				
aPSEInvalidSignatureCounterA	ATTRIBUTE	GET	X				
aPSEInvalidSignatureCounterB	ATTRIBUTE	GET	X				
aPSEPowerDeniedCounter	ATTRIBUTE	GET	X				

Table 30–4—DTE Power via MDI capabilities (continued)

			PSE Basic Package (mandatory)	PSE Recommended Package (optional)	Midspan Basic Capability (mandatory)	PD Basic Package (mandatory)
aPSEPowerDeniedCounterA	ATTRIBUTE	GET	X			
aPSEPowerDeniedCounterB	ATTRIBUTE	GET	X			
aPSEOverLoadCounter	ATTRIBUTE	GET	X			
aPSEOverLoadCounterA	ATTRIBUTE	GET	X			
aPSEOverLoadCounterB	ATTRIBUTE	GET	X			
aPSEShortCounter	ATTRIBUTE	GET	X			
aPSEMPSAbsentCounter	ATTRIBUTE	GET	X			
aPSEMPSAbsentCounterA	ATTRIBUTE	GET	X			
aPSEMPSAbsentCounterB	ATTRIBUTE	GET	X			
acPSEAdminControl	ACTION		X			
aPSEActualPower	ATTRIBUTE	GET	X			
aPSEPowerAccuracy	ATTRIBUTE	GET	X			
aPSECumulativeEnergy	ATTRIBUTE	GET	X			
oPD managed object class (30.9.2)						
aPDID	ATTRIBUTE	GET				X
Common Attributes Template						
aCMCounter	ATTRIBUTE	GET		X		

Change Table 30-7 as shown:

Table 30–7—LLDP capabilities

				LLDP Basic Package (mandatory)	LLDP MAC/PHY Configuration/Status Local Package (conditional)	LLDP MAC/PHY Configuration/Status Remote Package (conditional)	LLDP Power via MDI Local Package (conditional)	LLDP Power via MDI Remote Package (conditional)	LLDP Power via MDI Measurements Local Package (conditional)	LLDP Power via MDI Measurements Remote Package (conditional)	LLDP Link Aggregation Local Package (conditional)	LLDP Link Aggregation Remote Package (conditional)	LLDP Maximum Frame Size Local Package (conditional)	LLDP Maximum Frame Size Remote Package (conditional)	LLDP EEE Local Package (optional)	LLDP EEE Remote Package (optional)
oLldpXdot3Config managed object class (30.12.1)																
aLldpXdot3PortConfigTLVsTxEnable	ATTRIBUTE	GET-SET	X													
oLldpXdot3LocSystemsGroup managed object class (30.12.2)																
aLldpXdot3LocPortAutoNegSupported	ATTRIBUTE	GET	X													
aLldpXdot3LocPortAutoNegEnabled	ATTRIBUTE	GET	X													
aLldpXdot3LocPortAutoNegAdvertisedCap	ATTRIBUTE	GET	X													
aLldpXdot3LocPortOperMauType	ATTRIBUTE	GET	X													
aLldpXdot3LocPowerPortClass	ATTRIBUTE	GET					X									
aLldpXdot3LocPowerMDISupported	ATTRIBUTE	GET					X									
aLldpXdot3LocPowerMDIEnabled	ATTRIBUTE	GET					X									
aLldpXdot3LocPowerPairControllable	ATTRIBUTE	GET					X									
aLldpXdot3LocPowerPairs	ATTRIBUTE	GET					X									
aLldpXdot3LocPowerClass	ATTRIBUTE	GET					X									
aLldpXdot3LocLinkAggStatus	ATTRIBUTE	GET									X					
aLldpXdot3LocLinkAggPortId	ATTRIBUTE	GET								X						
aLldpXdot3LocMaxFrameSize	ATTRIBUTE	GET											X			
aLldpXdot3LocPowerType	ATTRIBUTE	GET					X									
aLldpXdot3LocPowerSource	ATTRIBUTE	GET					X									
aLldpXdot3LocPowerPriority	ATTRIBUTE	GET-SET					X									
aLldpXdot3LocPDRrequestedPowerValue	ATTRIBUTE	GET					X									
aLldpXdot3LocPSEAllocatedPowerValue	ATTRIBUTE	GET					X									
aLldpXdot3LocPDRrequestedPowerValueA	ATTRIBUTE	GET					X									
aLldpXdot3LocPDRrequestedPowerValueB	ATTRIBUTE	GET					X									
aLldpXdot3LocPSEAllocatedPowerValueA	ATTRIBUTE	GET					X									

Table 30-7—LLDP capabilities (continued)

			LLDP Basic Package (mandatory)	LLDP MAC/PHY Configuration/Status Local Package (conditional)	LLDP MAC/PHY Configuration/Status Remote Package (conditional)	LLDP Power via MDI Local Package (conditional)	LLDP Power via MDI Remote Package (conditional)	LLDP Power via MDI Measurements Local Package (conditional)	LLDP Power via MDI Measurements Remote Package (conditional)	LLDP Link Aggregation Local Package (conditional)	LLDP Link Aggregation Remote Package (conditional)	LLDP Maximum Frame Size Local Package (conditional)	LLDP Maximum Frame Size Remote Package (conditional)	LLDP EEE Local Package (optional)	LLDP EEE Remote Package (optional)
aLldpXdot3LocPSEAllocatedPowerValueB	ATTRIBUTE	GET				X									
aLldpXdot3LocPSEPoweringStatus	ATTRIBUTE	GET				X									
aLldpXdot3LocPDPoweredStatus	ATTRIBUTE	GET				X									
aLldpXdot3LocPowerpairsExt	ATTRIBUTE	GET				X									
aLldpXdot3LocPDLoad	ATTRIBUTE	GET				X									
aLldpXdot3LocPowerClassExtA	ATTRIBUTE	GET				X									
aLldpXdot3LocPowerClassExtB	ATTRIBUTE	GET				X									
aLldpXdot3LocPowerClassExt	ATTRIBUTE	GET				X									
aLldpXdot3LocPowerTypeExt	ATTRIBUTE	GET				X									
aLldpXdot3LocPD4PID	ATTRIBUTE	GET				X									
aLldpXdot3LocPSEMaxAvailPower	ATTRIBUTE	GET				X									
aLldpXdot3LocPSEAutoclassSupport	ATTRIBUTE	GET				X									
aLldpXdot3LocAutoclassCompleted	ATTRIBUTE	GET				X									
aLldpXdot3LocAutoclassRequest	ATTRIBUTE	SET				X									
aLldpXdot3LocPowerDownRequest	ATTRIBUTE	SET				X									
aLldpXdot3LocPowerDownTime	ATTRIBUTE	SET				X									
aLldpXdot3LocMeasVoltageSupport	ATTRIBUTE	GET						X							
aLldpXdot3LocMeasCurrentSupport	ATTRIBUTE	GET						X							
aLldpXdot3LocMeasPowerSupport	ATTRIBUTE	GET						X							
aLldpXdot3LocMeasEnergySupport	ATTRIBUTE	GET						X							
aLldpXdot3LocMeasurementSource	ATTRIBUTE	GET						X							
aLldpXdot3LocMeasVoltageRequest	ATTRIBUTE	GET						X							
aLldpXdot3LocMeasCurrentRequest	ATTRIBUTE	GET						X							
aLldpXdot3LocMeasPowerRequest	ATTRIBUTE	GET						X							
aLldpXdot3LocMeasEnergyRequest	ATTRIBUTE	GET						X							
aLldpXdot3LocMeasVoltageValid	ATTRIBUTE	GET						X							
aLldpXdot3LocMeasCurrentValid	ATTRIBUTE	GET						X							

IEEE Std 802.3bt-2018
IEEE Standard for Ethernet—Amendment 2: Physical Layer and Management Parameters
for Power over Ethernet over 4 Pairs

Table 30-7—LLDP capabilities (continued)

			LLDP Basic Package (mandatory)	LLDP MAC/PHY Configuration/Status Local Package (conditional)	LLDP MAC/PHY Configuration/Status Remote Package (conditional)	LLDP Power via MDI Local Package (conditional)	LLDP Power via MDI Remote Package (conditional)	LLDP Power via MDI Measurements Local Package (conditional)	LLDP Power via MDI Measurements Remote Package (conditional)	LLDP Link Aggregation Local Package (conditional)	LLDP Link Aggregation Remote Package (conditional)	LLDP Maximum Frame Size Local Package (conditional)	LLDP Maximum Frame Size Remote Package (conditional)	LLDP EEE Local Package (optional)	LLDP EEE Remote Package (optional)
aLldpXdot3LocMeasPowerValid	ATTRIBUTE	GET						X							
aLldpXdot3LocMeasEnergyValid	ATTRIBUTE	GET						X							
aLldpXdot3LocMeasVoltageUncertainty	ATTRIBUTE	GET						X							
aLldpXdot3LocMeasCurrentUncertainty	ATTRIBUTE	GET						X							
aLldpXdot3LocMeasPowerUncertainty	ATTRIBUTE	GET						X							
aLldpXdot3LocMeasEnergyUncertainty	ATTRIBUTE	GET						X							
aLldpXdot3LocVoltageMeasurement	ATTRIBUTE	GET						X							
aLldpXdot3LocCurrentMeasurement	ATTRIBUTE	GET						X							
aLldpXdot3LocPowerMeasurement	ATTRIBUTE	GET						X							
aLldpXdot3LocEnergyMeasurement	ATTRIBUTE	GET						X							
aLldpXdot3LocPSEPowerPriceIndex	ATTRIBUTE	GET						X							
aLldpXdot3LocResponseTime	ATTRIBUTE	GET				X									
aLldpXdot3LocReady	ATTRIBUTE	GET				X									
aLldpXdot3LocReducedOperationPowerValue	ATTRIBUTE	GET				X									
aLldpXdot3LocTxTxFwSys	ATTRIBUTE	GET													X
aLldpXdot3LocTxTxFwSysEcho	ATTRIBUTE	GET													X
aLldpXdot3LocRxTxFwSys	ATTRIBUTE	GET													X
aLldpXdot3LocRxTxFwSysEcho	ATTRIBUTE	GET													X
aLldpXdot3LocFbTxFwSys	ATTRIBUTE	GET													X
aLldpXdot3TxDllReady	ATTRIBUTE	GET													X
aLldpXdot3RxDllReady	ATTRIBUTE	GET													X
aLldpXdot3LocDllEnabled	ATTRIBUTE	GET													X
aLldpXdot3LocTxFw	ATTRIBUTE	GET													X
aLldpXdot3LocTxFwEcho	ATTRIBUTE	GET													X
aLldpXdot3LocRxFw	ATTRIBUTE	GET													X
aLldpXdot3LocRxFwEcho	ATTRIBUTE	GET													X

Table 30–7—LLDP capabilities (continued)

			LLDP Basic Package (mandatory)	LLDP MAC/PHY Configuration/Status Local Package (conditional)	LLDP MAC/PHY Configuration/Status Remote Package (conditional)	LLDP Power via MDI Local Package (conditional)	LLDP Power via MDI Remote Package (conditional)	LLDP Power via MDI Measurements Local Package (conditional)	LLDP Power via MDI Measurements Remote Package (conditional)	LLDP Link Aggregation Local Package (conditional)	LLDP Link Aggregation Remote Package (conditional)	LLDP Maximum Frame Size Local Package (conditional)	LLDP Maximum Frame Size Remote Package (conditional)	LLDP EEE Local Package (optional)	LLDP EEE Remote Package (optional)
oLldpXdot3RemSystemsGroup managed object class (30.12.3)															
aLldpXdot3RemPortAutoNegSupported	ATTRIBUTE	GET		X											
aLldpXdot3RemPortAutoNegEnabled	ATTRIBUTE	GET		X											
aLldpXdot3RemPortAutoNegAdvertisedCap	ATTRIBUTE	GET		X											
aLldpXdot3RemPortOperMauType	ATTRIBUTE	GET		X											
aLldpXdot3RemPowerPortClass	ATTRIBUTE	GET					X								
aLldpXdot3RemPowerMDISupported	ATTRIBUTE	GET					X								
aLldpXdot3RemPowerMDIEnabled	ATTRIBUTE	GET					X								
aLldpXdot3RemPowerPairControllable	ATTRIBUTE	GET					X								
aLldpXdot3RemPowerPairs	ATTRIBUTE	GET					X								
aLldpXdot3RemPowerClass	ATTRIBUTE	GET					X								
aLldpXdot3RemLinkAggStatus	ATTRIBUTE	GET									X				
aLldpXdot3RemLinkAggPortId	ATTRIBUTE	GET									X				
aLldpXdot3RemMaxFrameSize	ATTRIBUTE	GET											X		
aLldpXdot3RemPowerType	ATTRIBUTE	GET					X								
aLldpXdot3RemPowerSource	ATTRIBUTE	GET					X								
aLldpXdot3RemPowerPriority	ATTRIBUTE	GET					X								
aLldpXdot3RemPDRRequestedPowerValue	ATTRIBUTE	GET					X								
aLldpXdot3RemPSEAllocatedPowerValue	ATTRIBUTE	GET					X								
aLldpXdot3RemPDRRequestedPowerValueA	ATTRIBUTE	GET					X								
aLldpXdot3RemPDRRequestedPowerValueB	ATTRIBUTE	GET					X								
aLldpXdot3RemPSEAllocatedPowerValueA	ATTRIBUTE	GET					X								
aLldpXdot3RemPSEAllocatedPowerValueB	ATTRIBUTE	GET					X								
aLldpXdot3RemPSEPoweringStatus	ATTRIBUTE	GET					X								
aLldpXdot3RemPDPoweredStatus	ATTRIBUTE	GET					X								
aLldpXdot3RemPowerPairsExt	ATTRIBUTE	GET					X								
aLldpXdot3RemPDLLoad	ATTRIBUTE	GET					X								

Table 30-7—LLDP capabilities (continued)

			LLDP Basic Package (mandatory)	LLDP MAC/PHY Configuration/Status Local Package (conditional)	LLDP MAC/PHY Configuration/Status Remote Package (conditional)	LLDP Power via MDI Local Package (conditional)	LLDP Power via MDI Remote Package (conditional)	LLDP Power via MDI Measurements Local Package (conditional)	LLDP Power via MDI Measurements Remote Package (conditional)	LLDP Link Aggregation Local Package (conditional)	LLDP Link Aggregation Remote Package (conditional)	LLDP Maximum Frame Size Local Package (conditional)	LLDP Maximum Frame Size Remote Package (conditional)	LLDP EEE Local Package (optional)	LLDP EEE Remote Package (optional)
aLldpXdot3RemMeasEnergyUncertainty	ATTRIBUTE	GET						X							
aLldpXdot3RemVoltageMeasurement	ATTRIBUTE	GET						X							
aLldpXdot3RemCurrentMeasurement	ATTRIBUTE	GET						X							
aLldpXdot3RemPowerMeasurement	ATTRIBUTE	GET						X							
aLldpXdot3RemEnergyMeasurement	ATTRIBUTE	GET						X							
aLldpXdot3RemPSEPowerPriceIndex	ATTRIBUTE	GET						X							
aLldpXdot3RemTxTwSys	ATTRIBUTE	GET													X
aLldpXdot3RemTxTwSysEcho	ATTRIBUTE	GET													X
aLldpXdot3RemRxTwSys	ATTRIBUTE	GET													X
aLldpXdot3RemRxTwSysEcho	ATTRIBUTE	GET													X
aLldpXdot3RemFbTwSys	ATTRIBUTE	GET													X
aLldpXdot3RemTxFw	ATTRIBUTE	GET													X
aLldpXdot3RemTxFwEcho	ATTRIBUTE	GET													X
aLldpXdot3RemRxFw	ATTRIBUTE	GET													X
aLldpXdot3RemRxFwEcho	ATTRIBUTE	GET													X

Change the title of 30.9 as follows:

30.9 Management for ~~DTE Power via MDI~~ Power over Ethernet

30.9.1 PSE managed object class

30.9.1.1 PSE attributes

Change 30.9.1.1.2 through 30.9.1.1.5 as follows:

30.9.1.1.2 aPSEAdminState

ATTRIBUTE

APPROPRIATE SYNTAX:

An ENUMERATED VALUE that has one of the following entries:

enabled	PSE functions enabled
disabled	PSE functions disabled

BEHAVIOUR DEFINED AS:

A read-only value that identifies the operational state of the PSE functions. An interface which can provide the PSE functions specified in Clause 33 will be enabled to do so when this attribute has the enumeration “enabled”. When this attribute has the enumeration “disabled”, the interface will act as it would if it had no PSE function. The operational state of the PSE function can be changed using the acPSEAdminControl action. For Type 1 or Type 2 PSEs, if a Clause 22 MII or Clause 35 GMII is present, then this will map to the PSE Enable bit specified in 33.5.1.1.6.;

30.9.1.1.3 aPSEPowerPairsControlAbility

ATTRIBUTE

APPROPRIATE SYNTAX:

BOOLEAN

BEHAVIOUR DEFINED AS:

Indicates the ability to control which PSE Pinout Alternative (see 33.2.3 and 145.2.4) is used for PD detection and power. When “true”, the PSE Pinout Alternative used can be controlled through the aSectionSESS aPSEPowerPairs attribute. When “false”, the PSE Pinout Alternative used cannot be controlled through the aSectionSESS aPSEPowerPairs attribute. For Type 1 or Type 2 PSEs, if a Clause 22 MII or Clause 35 GMII is present, then this will map to the Pair Control Ability bit specified in 33.5.1.2.12;

30.9.1.1.4 aPSEPowerPairs

ATTRIBUTE

APPROPRIATE SYNTAX:

An ENUMERATED VALUE that has one of the following entries:

signal	PSE Pinout Alternative A
spare	PSE Pinout Alternative B
<u>both</u>	<u>PSE Pinout Alternative A and Alternative B</u>

BEHAVIOUR DEFINED AS:

A read-write value that identifies the supported PSE Pinout Alternative specified in 33.2.3 and 145.2.4. A GET operation returns the PSE Pinout Alternative in use. A SET operation changes the PSE Pinout Alternative used to the indicated value only if the attribute aSectionSESThreshold is “true”. If the attribute aPSEPowerPairsControlAbility is “true”, a SET operation will cause the

PSE functions to be disabled, the PSE Pinout Alternative used to be changed to the value indicated if supported, and then the PSE functions to be enabled. If the attribute aSectionSESThreshold aPSEPowerPairsControlAbility is “false”, a SET operation has no effect.

The enumeration “signal” indicates that PSE Pinout Alternative A is used for PD detection and power. The enumeration “spare” indicates that PSE Pinout Alternative B is used for PD detection and power. The enumeration “both” indicates that the PSE Pinout uses both Alternative A and Alternative B for detection and power. For Type 1 or Type 2 PSEs, if a Clause 22 MII or Clause 35 GMII is present, then this will map to the Pair Control bits specified in 33.5.1.1.4;

30.9.1.1.5 aPSEPowerDetectionStatus

ATTRIBUTE

APPROPRIATE SYNTAX:

An ENUMERATED VALUE that has one of the following entries:

disabled	PSE disabled
searching	PSE searching
deliveringPower	PSE delivering power
test	PSE test mode
fault	PSE fault detected
otherFault	PSE implementation specific fault detected

BEHAVIOUR DEFINED AS:

A read-only value that indicates the current status of the PD Detection function specified in 33.2.5 and 145.2.6.

The enumeration “disabled” indicates that the PSE State diagram (Figure 33–9 or Figure 145–13) is in the state DISABLED. The enumeration “deliveringPower” indicates that the PSE State diagram is in the state POWER_ON. The enumeration “test” indicates that the PSE State diagram is in the state TEST_MODE. The enumeration “fault” indicates that the PSE State diagram is in the state TEST_ERROR. The enumeration “otherFault” indicates that the PSE State diagram is in the state IDLE due to the variable error_condition = ~~true~~ TRUE. The enumeration “searching” indicates the PSE State diagram is in a state other than those listed above. Type 3 and Type 4 PSEs do not use the values “test” or “fault”. For Type 1 or Type 2 PSEs, if a Clause 22 MII or Clause 35 GMII is present, then this will map to the PSE Status bits specified in 33.5.1.2.11.

NOTE—A derivative attribute may wish to apply a delay to the use of the “deliveringPower” enumeration as the PSE state diagram will enter and then quickly exit the POWER_ON state if a short-circuit or overcurrent condition is present when power is first applied.;

Insert the following new subclauses, 30.9.1.1.5a and 30.9.1.1.5b, after 30.9.1.1.5:

30.9.1.1.5a aPSEPowerDetectionStatusA

ATTRIBUTE

APPROPRIATE SYNTAX:

An ENUMERATED VALUE that has one of the following entries:

searchingAltA	PSE searching
deliveringPowerAltA	PSE delivering power
faultAltA	PSE fault detected

BEHAVIOUR DEFINED AS:

A read-only value that indicates the current status of the PD Detection function specified in 145.2.6.

The enumeration “deliveringPowerAltA” indicates that the PSE State diagram is in the state POWER_ON_PRI if alt_pri=‘a’ or the state POWER_ON_SEC if alt_pri=‘b’. The enumeration “faultAltA” indicates that the PSE State diagram is in the state IDLE_PRI if alt_pri=‘a’ or the state IDLE_SEC if alt_pri=‘b’ due to the variable error_condition_pri = TRUE (if alt_pri=‘a’) or error_condition_sec = TRUE (if alt_pri=‘b’). The enumeration “searchingAltA” indicates the PSE State diagram is in a state other than those listed above.

NOTE—A derivative attribute may wish to apply a delay to the use of the “deliveringPowerAltA” enumeration as the PSE state diagram will enter and then quickly exit the POWER_ON_PRI (if alt_pri=‘a’) state or the POWER_ON_SEC (if alt_pri=‘b’) state if a short-circuit or overcurrent condition is present when power is first applied.;

30.9.1.1.5b aPSEPowerDetectionStatusB

ATTRIBUTE

APPROPRIATE SYNTAX:

An ENUMERATED VALUE that has one of the following entries:

searchingAltB	PSE searching
deliveringPowerAltB	PSE delivering power
faultAltB	PSE fault detected

BEHAVIOUR DEFINED AS:

A read-only value that indicates the current status of the PD Detection function specified in 145.2.6.

The enumeration “deliveringPowerAltB” indicates that the PSE State diagram is in the state POWER_ON_SEC if alt_pri=‘a’ or the state POWER_ON_PRI if alt_pri=‘b’. The enumeration “faultAltB” indicates that the PSE State diagram is in the state IDLE_SEC if alt_pri=‘a’ or the state IDLE_PRI if alt_pri=‘b’ due to the variable error_condition_sec = TRUE (if alt_pri=‘a’) or error_condition_pri = TRUE (if alt_pri=‘b’). The enumeration “searchingAltB” indicates the PSE State diagram is in a state other than those listed above.

NOTE—A derivative attribute may wish to apply a delay to the use of the “deliveringPowerAltB” enumeration as the PSE state diagram will enter and then quickly exit the POWER_ON_SEC (if alt_pri=‘a’) state or the POWER_ON_PRI (if alt_pri=‘b’) state if a short-circuit or overcurrent condition is present when power is first applied.;

Change 30.9.1.1.6 as follows:

30.9.1.1.6 aPSEPowerClassification

ATTRIBUTE

APPROPRIATE SYNTAX:

An ENUMERATED VALUE that has one of the following entries:

class0	Class 0 PD
class1	Class 1 PD
class2	Class 2 PD
class3	Class 3 PD
class4	Class 4 PD
<u>class5</u>	<u>Class 5 PD</u>
<u>class6</u>	<u>Class 6 PD</u>
<u>class7</u>	<u>Class 7 PD</u>
<u>class8</u>	<u>Class 8 PD</u>

BEHAVIOUR DEFINED AS:

A read-only value that indicates the PD Class of a detected PD as specified in 33.2.6.1 and 145.2.8.1.

This value is only valid while a PD is being powered, that is the attribute ~~aLineSESThreshold~~ ~~aPSEPowerDetectionStatus~~ reporting the enumeration “deliveringPower”. For Type 1 or Type 2 PSEs, if a Clause 22 MII or Clause 35 GMII is present, then this will map to the PD Class bits specified in 33.5.1.2.10.;

Insert the following new subclauses, 30.9.1.1.6a and 30.9.1.1.6b, after 30.9.1.1.6:

30.9.1.1.6a aPSEPowerClassificationA

ATTRIBUTE

APPROPRIATE SYNTAX:

An ENUMERATED VALUE that has one of the following entries:

- class1 Class 1 PD
- class2 Class 2 PD
- class3 Class 3 PD
- class4 Class 4 PD
- class5 Class 5 PD

BEHAVIOUR DEFINED AS:

A read-only value that indicates the PD Class of a detected dual-signature PD as specified in 145.2.8.1.

This value is only valid while a PD is being powered, that is the attribute aPSEPowerDetectionStatusA reporting the enumeration “deliveringPowerAltA”;

30.9.1.1.6b aPSEPowerClassificationB

ATTRIBUTE

APPROPRIATE SYNTAX:

An ENUMERATED VALUE that has one of the following entries:

- class1 Class 1 PD
- class2 Class 2 PD
- class3 Class 3 PD
- class4 Class 4 PD
- class5 Class 5 PD

BEHAVIOUR DEFINED AS:

A read-only value that indicates the PD Class of a detected dual-signature PD as specified in 145.2.8.1.

This value is only valid while a PD is being powered, that is the attribute aPSEPowerDetectionStatusB reporting the enumeration “deliveringPowerAltB”;

STANDARDSISO.COM : Click to view the full PDF of ISO/IEC/IEEE 8802-3:2021/Amd 2:2021

Change 30.9.1.1.7 as follows:

30.9.1.1.7 aPSEInvalidSignatureCounter

ATTRIBUTE

APPROPRIATE SYNTAX:

Generalized nonresettable counter. This counter has a maximum increment rate of 2 counts per second.

BEHAVIOUR DEFINED AS:

This counter is incremented when the Type 1 and Type 2 PSE state diagram (Figure 33–9) enters the state `SIGNATURE_INVALID`. This counter is not defined for Type 3 and Type 4 PSEs. For Type 1 or Type 2 PSEs, if a Clause 22 MII or Clause 35 GMII is present, then this will map to the Invalid Signature bit specified in 33.5.1.2.6.;

Insert the following new subclauses, 30.9.1.1.7a and 30.9.1.1.7b, after 30.9.1.1.7:

30.9.1.1.7a aPSEInvalidSignatureCounterA

ATTRIBUTE

APPROPRIATE SYNTAX:

Generalized nonresettable counter. This counter has a maximum increment rate of 2 counts per second.

BEHAVIOUR DEFINED AS:

This counter is incremented when the `do_detect_pri` or `do_detect_sec` function in Figure 145–13, Figure 145–15, and Figure 145–16, whichever corresponds to Alternative A depending on the value of `alt_pri`, returns ‘invalid’.

30.9.1.1.7b aPSEInvalidSignatureCounterB

ATTRIBUTE

APPROPRIATE SYNTAX:

Generalized nonresettable counter. This counter has a maximum increment rate of 2 counts per second.

BEHAVIOUR DEFINED AS:

This counter is incremented when the `do_detect_pri` or `do_detect_sec` function in Figure 145–13, Figure 145–15, and Figure 145–16, whichever corresponds to Alternative B depending on the value of `alt_pri`, returns ‘invalid’.

Change 30.9.1.1.8 as follows:

30.9.1.1.8 aPSEPowerDeniedCounter

ATTRIBUTE

APPROPRIATE SYNTAX:

Generalized nonresettable counter. This counter has a maximum increment rate of 2 counts per second.

BEHAVIOUR DEFINED AS:

This counter is incremented when the PSE state diagram (Figure 33–9 and Figure 145–13) enters the state `POWER_DENIED`. For Type 1 or Type 2 PSEs, if a Clause 22 MII or Clause 35 GMII is present, then this will map to the Power Denied bit specified in 33.5.1.2.4.;

Insert the following new subclauses, 30.9.1.1.8a and 30.9.1.1.8b, after 30.9.1.1.8:

30.9.1.1.8a aPSEPowerDeniedCounterA

ATTRIBUTE

APPROPRIATE SYNTAX:

Generalized nonresettable counter. This counter has a maximum increment rate of 2 counts per second.

BEHAVIOUR DEFINED AS:

This counter is incremented when the PSE state diagram (Figure 145–15 or Figure 145–16) enters the state POWER_DENIED_PRI if alt_pri='a' or enters the state POWER_DENIED_SEC if alt_pri='b';

30.9.1.1.8b aPSEPowerDeniedCounterB

ATTRIBUTE

APPROPRIATE SYNTAX:

Generalized nonresettable counter. This counter has a maximum increment rate of 2 counts per second.

BEHAVIOUR DEFINED AS:

This counter is incremented when the PSE state diagram (Figure 145–15 or Figure 145–16) enters the state POWER_DENIED_SEC if alt_pri='a' or enters the state POWER_DENIED_PRI if alt_pri='b';

Change 30.9.1.1.9 as follows:

30.9.1.1.9 aPSEOverLoadCounter

ATTRIBUTE

APPROPRIATE SYNTAX:

Generalized nonresettable counter. This counter has a maximum increment rate of 2 counts per second.

BEHAVIOUR DEFINED AS:

This counter is incremented when the PSE state diagram (Figure 33–9 and Figure 145–13) enters the state ~~ERROR_DELAY_OVER~~ ERROR_DELAY. For Type 1 or Type 2 PSEs, if a Clause 22 MII or Clause 35 GMII is present, then this will map to the Overload bit specified in 33.5.1.2.8;

Insert the following new subclause, 30.9.1.1.9a, after 30.9.1.1.9:

30.9.1.1.9a aPSEOverLoadCounterA

ATTRIBUTE

APPROPRIATE SYNTAX:

Generalized nonresettable counter. This counter has a maximum increment rate of 2 counts per second.

BEHAVIOUR DEFINED AS:

This counter is incremented when the PSE state diagram (Figure 145–15 or Figure 145–16) enters the state ERROR_DELAY_PRI if alt_pri='a' or enters the state ERROR_DELAY_SEC if alt_pri='b';

Change 30.9.1.1.10 as follows:

30.9.1.1.10 ~~aPSEShortCounter~~ aPSEOverLoadCounterB

ATTRIBUTE

APPROPRIATE SYNTAX:

Generalized nonresettable counter. This counter has a maximum increment rate of 2 counts per second.

BEHAVIOUR DEFINED AS:

~~This counter is incremented when the PSE state diagram (Figure 33–9) enters the state ERROR_DELAY_SHORT. If a Clause 22 MII or Clause 35 GMII is present, then this will map to the Short Circuit bit specified in 33.5.1.2.7.;~~

This counter is incremented when the PSE state diagram (Figure 145–15 or Figure 145–16) enters the state ERROR_DELAY_SEC if alt_pri='a' or enters the state ERROR_DELAY_PRI if alt_pri='b'.

Change 30.9.1.1.11 as follows:

30.9.1.1.11 aPSEMPSAbsentCounter

ATTRIBUTE

APPROPRIATE SYNTAX:

Generalized nonresettable counter. This counter has a maximum increment rate of 2 counts per second.

BEHAVIOUR DEFINED AS:

This counter is incremented when the PSE state diagram (Figure 33–9 and Figure 145–13) transitions directly from the state POWER_ON to the state IDLE due to tmpdo_timer_done being asserted. For Type 1 or Type 2 PSEs, if a Clause 22 MII or Clause 35 GMII is present, then this will map to the MPS Absent bit specified in 33.5.1.2.9.;

Insert the following new subclauses, 30.9.1.1.11a and 30.9.1.1.11b, after 30.9.1.1.11:

30.9.1.1.11a aPSEMPSAbsentCounterA

ATTRIBUTE

APPROPRIATE SYNTAX:

Generalized nonresettable counter. This counter has a maximum increment rate of 2 counts per second.

BEHAVIOUR DEFINED AS:

This counter is incremented when the PSE state diagram (Figure 145–15 or Figure 145–16) transitions directly from the state POWER_ON_PRI to the state IDLE_PRI due to mpdo_timer_pri_done being asserted if alt_pri='a' or transitions directly from the state POWER_ON_SEC to the state IDLE_SEC due to mpdo_timer_sec_done being asserted if alt_pri='b'.

30.9.1.1.11b aPSEMPSAbsentCounterB

ATTRIBUTE

APPROPRIATE SYNTAX:

Generalized nonresettable counter. This counter has a maximum increment rate of 2 counts per second.

BEHAVIOUR DEFINED AS:

This counter is incremented when the PSE state diagram (Figure 145–15 or Figure 145–16) transitions directly from the state POWER_ON_SEC to the state IDLE_SEC due to mpdo_timer_sec_done being asserted if alt_pri='a' or transitions directly from the state POWER_ON_PRI to the state IDLE_PRI due to mpdo_timer_pri_done being asserted if alt_pri='b';

30.9.1.2 PSE actions

Change 30.9.1.2.1 as follows:

30.9.1.2.1 acPSEAdminControl

ACTION

APPROPRIATE SYNTAX:

Same as ~~aSectionStatus~~ aPSEAdminState

BEHAVIOUR DEFINED AS:

This action provides a means to alter ~~aSectionStatus~~ aPSEAdminState.;

Delete 30.9.2 “PD managed object class” and its subclasses in their entirety.

30.12 Layer Management for Link Layer Discovery Protocol (LLDP)

30.12.2 LLDP Local System Group managed object class

30.12.2.1 LLDP Local System Group attributes

Change 30.12.2.1.6 through 30.12.2.1.10 as follows:

30.12.2.1.6 aLldpXdot3LocPowerMDISupported

ATTRIBUTE

APPROPRIATE SYNTAX:

BOOLEAN

BEHAVIOUR DEFINED AS:

For a PSE, this attribute contains a A-read-only Boolean value used to indicate whether the MDI power is supported on the given port associated with the local system. For a PD, the value of this attribute is undefined.

30.12.2.1.7 aLldpXdot3LocPowerMDIEnabled

ATTRIBUTE

APPROPRIATE SYNTAX:

BOOLEAN

BEHAVIOUR DEFINED AS:

For a PSE, this attribute contains a read-only Boolean value used to identify whether MDI power is enabled on the given port associated with the local system. For a PD, the value of this attribute is undefined.

30.12.2.1.8 aLldpXdot3LocPowerPairControllable

ATTRIBUTE

APPROPRIATE SYNTAX:

BOOLEAN

BEHAVIOUR DEFINED AS:

A read-only Boolean value derived from the value of pethPsePortPowerPairsControlAbility object (defined in IETF RFC 3621) and used to indicate whether the pair selection can be controlled on the given port associated with the local system.

A read-only Boolean value used to indicate the ability to control which PSE Pinout Alternative (see 33.2.3 and 145.2.4) is used for PD detection and power. For a PSE, this attribute contains the value of the aPSEPowerPairsControlAbility attribute (see 30.9.1.1.3). For a PD, the contents of this attribute are undefined.

30.12.2.1.9 aLldpXdot3LocPowerPairs

ATTRIBUTE

APPROPRIATE SYNTAX:

The same as used for aPSEPowerPairs

An ENUMERATED value list that has the following entries:

<u>signal</u>	<u>PSE Pinout Alternative A</u>
<u>spare</u>	<u>PSE Pinout Alternative B</u>

BEHAVIOUR DEFINED AS:

A read-only value that contains the value of the pethPsePortPowerPairs object (defined in IETF RFC 3621) which is associated with the given port on the local system.

A read-only value that identifies the PSE Pinout Alternative (see 33.2.3 and 145.2.4) in use for detecting and supplying power to the PD. For a PSE, this attribute contains a value derived from the aPSEPowerPairs attribute (see 30.9.1.1.4). For a PD, the contents of this attribute are undefined. A Type 3 or Type 4 PSE detecting or supplying power on both PSE Pinout Alternatives may return either PSE Pinout Alternative as this configuration is communicated through the aLldpXdot3LocPowerPairsExt attribute. A Type 3 or Type 4 PSE supplying power on only one PSE Pinout Alternative returns that PSE Pinout Alternative. For a PD, the contents of this attribute are undefined.

30.12.2.1.10 aLldpXdot3LocPowerClass

ATTRIBUTE

APPROPRIATE SYNTAX:

The same as used for aPSEPowerClassification

An ENUMERATED value list that has the following entries:

<u>class0</u>	<u>Class 0 PD</u>
<u>class1</u>	<u>Class 1 PD</u>
<u>class2</u>	<u>Class 2 PD</u>
<u>class3</u>	<u>Class 3 PD</u>
<u>class4</u>	<u>Class 4 PD</u>

BEHAVIOUR DEFINED AS:

~~A read-only value that contains the value of the `pathPsePortPowerClassifications` object (defined in IETF RFC 3621) which is associated with the given port on the local system.;~~
A read-only value that indicates the requested Class of the PD as specified in 33.2.6 and 145.2.8. This attribute returns an enumeration of “class4” for a PD of Class 4 or higher as such PD Classes are identified through the `aLldpXdot3LocPowerClassExt` attribute.;

Change 30.12.2.1.14 as follows:

30.12.2.1.14 aLldpXdot3LocPowerType

ATTRIBUTE

APPROPRIATE SYNTAX:

BIT STRING [SIZE (2)]

BEHAVIOUR DEFINED AS:

A GET attribute that returns a bit string indicating whether the local system is a PSE or a PD and whether it is Type 1 or ~~Type 2 greater than Type 1~~. The first bit indicates Type 1 or ~~Type 2 greater than Type 1~~. The second bit indicates PSE or PD. A PSE ~~shall~~ sets this bit to indicate a PSE. A PD ~~shall~~ sets this bit to indicate a PD. See also `aLldpXdot3LocPowerTypeExt`.

Change 30.12.2.1.17 as follows:

30.12.2.1.17 aLldpXdot3LocPDRequestedPowerValue

ATTRIBUTE

APPROPRIATE SYNTAX:

INTEGER

BEHAVIOUR DEFINED AS:

A GET attribute that returns the PD requested power value in units of 0.1 W. For a PD, it is the power value that the PD has currently requested from the remote system. The PD requested power value is the maximum input average power the PD ever draws under this power allocation if accepted. For a PSE, it is the power value that the PSE ~~mirrors echoes~~ back to the remote system. This is the PD requested power value that was used by the PSE to compute the power it has currently allocated to the remote system. ~~The PD requested power value is encoded according to Equation (79-1), where X is the decimal value of aLldpXdot3LocPDRequestedPowerValue.;~~

Insert the following new subclauses, 30.12.2.1.17a and 30.12.2.1.17b, after 30.12.2.1.17:

30.12.2.1.17a aLldpXdot3LocPDRequestedPowerValueA

ATTRIBUTE

APPROPRIATE SYNTAX:

INTEGER

BEHAVIOUR DEFINED AS:

A GET attribute that returns the PD requested power value for the Mode A pairset in units of 0.1 W. For a PD, it is the power value that the PD has currently requested from the remote system for the Mode A pairset. For a PSE, it is the power value for the Alternative A pairset that the PSE echoes back to the remote system.;

30.12.2.1.17b aLldpXdot3LocPDRrequestedPowerValueB

ATTRIBUTE

APPROPRIATE SYNTAX:

INTEGER

BEHAVIOUR DEFINED AS:

A GET attribute that returns the PD requested power value for the Mode B pairset in units of 0.1 W. For a PD, it is the power value that the PD has currently requested from the remote system for the Mode B pairset. For a PSE, it is the power value for the Alternative B pairset that the PSE echoes back to the remote system.;

*Change 30.12.2.1.18 as follows:***30.12.2.1.18 aLldpXdot3LocPSEAllocatedPowerValue**

ATTRIBUTE

APPROPRIATE SYNTAX:

INTEGER

BEHAVIOUR DEFINED AS:

A GET attribute that returns the PSE allocated power value in units of 0.1 W. For a PSE, it is the power value that the PSE has currently allocated to the remote system. The PSE allocated power value is the maximum input average power that the PSE wants the PD to ever draw under this allocation if it is accepted. For a PD, it is the power value that the PD mirrors-echoed back to the remote system. ~~This is the PSE allocated power value that was used by the PD to compute the power that it has currently requested from the remote system. The PSE allocated power value is encoded according to Equation (79-2), where X is the decimal value of~~ aLldpXdot3LocPSEAllocatedPowerValue.;

*Insert the following new subclauses, 30.12.2.1.18a through 30.12.2.1.18am, after 30.12.2.1.18:***30.12.2.1.18a aLldpXdot3LocPSEAllocatedPowerValueA**

ATTRIBUTE

APPROPRIATE SYNTAX:

INTEGER

BEHAVIOUR DEFINED AS:

A GET attribute that returns the PSE allocated power value for the Alternative A pairset in units of 0.1 W. For a PSE, it is the power value for the Alternative A pairset that the PSE has currently allocated to the remote system. For a PD, it is the power value for the Mode A pairset that the PD echoes back to the remote system.;

30.12.2.1.18b aLldpXdot3LocPSEAllocatedPowerValueB

ATTRIBUTE

APPROPRIATE SYNTAX:

INTEGER

BEHAVIOUR DEFINED AS:

A GET attribute that returns the PSE allocated power value for the Alternative B pairset in units of 0.1 W. For a PSE, it is the power value for the Alternative B pairset that the PSE has currently

allocated to the remote system. For a PD, it is the power value for the Mode B pairset that the PD echoes back to the remote system.;

30.12.2.1.18c aLldpXdot3LocPSEPoweringStatus

ATTRIBUTE

APPROPRIATE SYNTAX:

An ENUMERATED VALUE that has one of the following entries:

- 4PdualsigPD 4-pair powering a dual-signature PD
- 4Psingle sigPD 4-pair powering a single-signature PD
- 2P 2-pair powering

BEHAVIOUR DEFINED AS:

A read only value that indicates the powering status of the PSE. For a PD, the contents of this attribute are undefined.;

30.12.2.1.18d aLldpXdot3LocPDPoweredStatus

ATTRIBUTE

APPROPRIATE SYNTAX:

An ENUMERATED VALUE that has one of the following entries:

- 4PdualsigPD 4-pair powered dual-signature PD
- 2PdualsigPD 2-pair powered dual-signature PD
- single sigPD powered single-signature PD

BEHAVIOUR DEFINED AS:

A read only value that indicates the powering status of the PD. For a PSE, the contents of this attribute are undefined.;

30.12.2.1.18e aLldpXdot3LocPowerPairsExt

ATTRIBUTE

APPROPRIATE SYNTAX:

An ENUMERATED VALUE that has one of the following entries:

- altA Alternative A
- altB Alternative B
- both Both Alternatives

BEHAVIOUR DEFINED AS:

A read-only value that identifies the supported PSE Pinout Alternative specified in 145.2.4. For a PSE, this attribute contains the value of the aPSEPowerPairs attribute (see 30.9.1.1.4). For a PD, the contents of this attribute are undefined.;

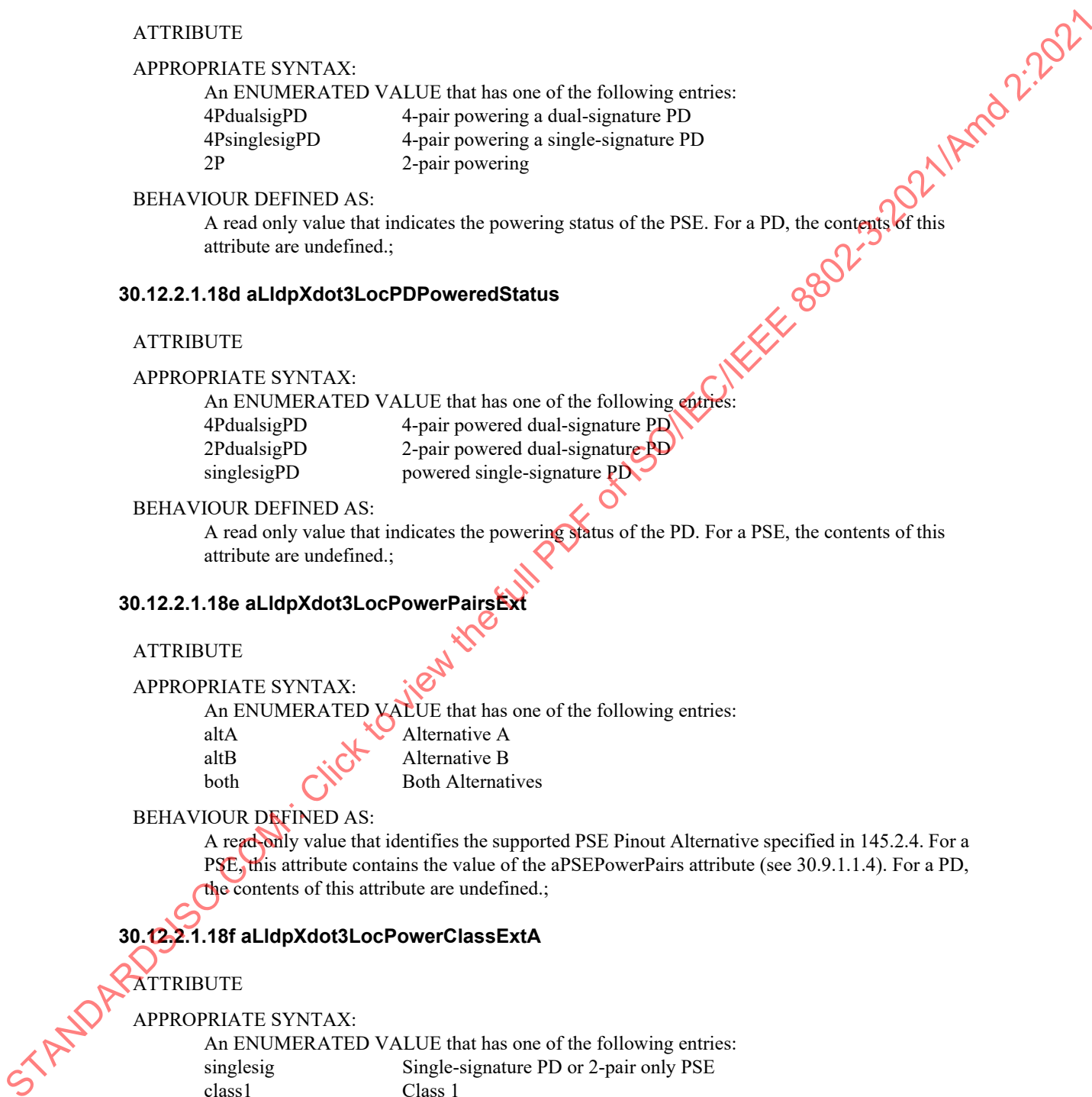
30.12.2.1.18f aLldpXdot3LocPowerClassExtA

ATTRIBUTE

APPROPRIATE SYNTAX:

An ENUMERATED VALUE that has one of the following entries:

- single sig Single-signature PD or 2-pair only PSE
- class1 Class 1
- class2 Class 2
- class3 Class 3



class4	Class 4
class5	Class 5

BEHAVIOUR DEFINED AS:

For a dual-signature PD, a read-only value that indicates the requested Class for Mode A during Physical Layer Classification (see 145.3.6). For a single-signature PD, a read-only value set to 'singlesig'.

For a PSE connected to a dual-signature PD, a read-only value that indicates the currently assigned Class for Mode A (see 145.2.8). For a PSE connected to a single-signature PD or a PSE that operates only in 2-pair mode, a read-only value set to 'singlesig'.;

30.12.2.1.18g aLldpXdot3LocPowerClassExtB

ATTRIBUTE

APPROPRIATE SYNTAX:

An ENUMERATED VALUE that has one of the following entries:

singlesig	Single-signature PD or 2-pair only PSE
class1	Class 1
class2	Class 2
class3	Class 3
class4	Class 4
class5	Class 5

BEHAVIOUR DEFINED AS:

For a dual-signature PD, a read-only value that indicates the requested Class for Mode B during Physical Layer Classification (see 145.3.6). For a single-signature PD, a read-only value set to 'singlesig'.

For a PSE connected to a dual-signature PD, a read-only value that indicates the currently assigned Class for Mode B (see 145.2.8). For a PSE connected to a single-signature PD or a PSE that operates only in 2-pair mode, a read-only value set to 'singlesig'.;

30.12.2.1.18h aLldpXdot3LocPowerClassExt

ATTRIBUTE

APPROPRIATE SYNTAX:

An ENUMERATED VALUE that has one of the following entries:

dualsig	Dual-signature PD
class1	Class 1
class2	Class 2
class3	Class 3
class4	Class 4
class5	Class 5
class6	Class 6
class7	Class 7
class8	Class 8

BEHAVIOUR DEFINED AS:

For a single-signature PD, a read-only value that indicates the requested Class during Physical Layer Classification (see 145.3.6). For a dual-signature PD, a read-only value set to 'dualsig'.

For a PSE connected to a single-signature PD or a PSE that operates only in 2-pair mode, a read-only value that indicates the currently assigned Class (see 145.2.8). For a PSE connected to a dual-signature PD, a read-only value set to 'dualsig'.;

30.12.2.1.18i aLldpXdot3LocPowerTypeExt

ATTRIBUTE

APPROPRIATE SYNTAX:

An ENUMERATED VALUE that has one of the following entries:

type4dualsigPD	Type 4 dual-signature PD
type4singlesigPD	Type 4 single-signature PD
type3dualsigPD	Type 3 dual-signature PD
type3singlesigPD	Type 3 single-signature PD
type4PSE	Type 4 PSE
type3PSE	Type 3 PSE

BEHAVIOUR DEFINED AS:

A read-only attribute that returns a value to indicate if the local system is a Type 3 or Type 4 PSE or PD and, in the case of a Type 3 or Type 4 PD, if it is a single-signature PD or a dual-signature PD.;

30.12.2.1.18j aLldpXdot3LocPDLoad

ATTRIBUTE

APPROPRIATE SYNTAX:

BOOLEAN

BEHAVIOUR DEFINED AS:

For a dual-signature PD, a GET attribute that returns whether the load of a dual-signature PD is electrically isolated, as defined in 79.3.2.6d.2. For a single-signature PD or a PSE, the value of this attribute is FALSE.;

30.12.2.1.18k aLldpXdot3LocPD4PID

ATTRIBUTE

APPROPRIATE SYNTAX:

BOOLEAN

BEHAVIOUR DEFINED AS:

A read-only Boolean attribute indicating whether the local PD system supports powering of both PD Modes.;

30.12.2.1.18l aLldpXdot3LocPSEMaxAvailPower

ATTRIBUTE

APPROPRIATE SYNTAX:

INTEGER

BEHAVIOUR DEFINED AS:

A GET attribute that returns the local PSE maximum available power value in units of 0.1 W.;

30.12.2.1.18m aLldpXdot3LocPSEAutoclassSupport

ATTRIBUTE

APPROPRIATE SYNTAX:

BIT STRING [SIZE (1)]

BEHAVIOUR DEFINED AS:

A read-only attribute that returns a bit string indicating whether the local PSE system supports Autoclass.;

30.12.2.1.18n aLldpXdot3LocAutoclassCompleted

ATTRIBUTE

APPROPRIATE SYNTAX:

BIT STRING [SIZE (1)]

BEHAVIOUR DEFINED AS:

A read-only attribute that returns a bit string indicating whether the local PSE system has completed the Autoclass measurement.;

30.12.2.1.18o aLldpXdot3LocAutoclassRequest

ATTRIBUTE

APPROPRIATE SYNTAX:

BIT STRING [SIZE (1)]

BEHAVIOUR DEFINED AS:

A read-only attribute that returns a bit string indicating whether the local PD system is requesting an Autoclass measurement and power budget adjustment.;

30.12.2.1.18p aLldpXdot3LocPowerDownRequest

ATTRIBUTE

APPROPRIATE SYNTAX:

INTEGER

BEHAVIOUR DEFINED AS:

A SET attribute that indicates the local PD system is requesting a power down when the value is 0x1D.;

30.12.2.1.18q aLldpXdot3LocPowerDownTime

ATTRIBUTE

APPROPRIATE SYNTAX:

INTEGER

BEHAVIOUR DEFINED AS:

A SET attribute that indicates the number of seconds the PD requests to stay powered off. A value of zero indicates an indefinite amount of time.;

30.12.2.1.18r aLldpXdot3LocMeasVoltageSupport

ATTRIBUTE

APPROPRIATE SYNTAX:

BIT STRING [SIZE (1)]

BEHAVIOUR DEFINED AS:

A GET attribute that indicates the local device is capable of providing a voltage measurement.;

30.12.2.1.18s aLldpXdot3LocMeasCurrentSupport

ATTRIBUTE

APPROPRIATE SYNTAX:

BIT STRING [SIZE (1)]

BEHAVIOUR DEFINED AS:

A GET attribute that indicates the local device is capable of providing a current measurement.;

30.12.2.1.18t aLldpXdot3LocMeasPowerSupport

ATTRIBUTE

APPROPRIATE SYNTAX:

BIT STRING [SIZE (1)]

BEHAVIOUR DEFINED AS:

A GET attribute that indicates the local device is capable of providing a power measurement.;

30.12.2.1.18u aLldpXdot3LocMeasEnergySupport

ATTRIBUTE

APPROPRIATE SYNTAX:

BIT STRING [SIZE (1)]

BEHAVIOUR DEFINED AS:

A GET attribute that indicates the local device is capable of providing an energy measurement.;

30.12.2.1.18v aLldpXdot3LocMeasurementSource

ATTRIBUTE

APPROPRIATE SYNTAX:

BIT STRING [SIZE (2)]

BEHAVIOUR DEFINED AS:

A SET attribute value that indicates to local device on which Alternative or Mode the measurement is to be taken.;

30.12.2.1.18w aLldpXdot3LocMeasVoltageRequest

ATTRIBUTE

APPROPRIATE SYNTAX:

BIT STRING [SIZE (1)]

BEHAVIOUR DEFINED AS:

A GET attribute that indicates the local device is requesting a voltage measurement from the remote device.;

30.12.2.1.18x aLldpXdot3LocMeasCurrentRequest

ATTRIBUTE

APPROPRIATE SYNTAX:

BIT STRING [SIZE (1)]

BEHAVIOUR DEFINED AS:

A GET attribute that indicates the local device is requesting a current measurement from the remote device.;

30.12.2.1.18y aLldpXdot3LocMeasPowerRequest

ATTRIBUTE

APPROPRIATE SYNTAX:

BIT STRING [SIZE (1)]

BEHAVIOUR DEFINED AS:

A GET attribute that indicates the local device is requesting a power measurement from the remote device.;

30.12.2.1.18z aLldpXdot3LocMeasEnergyRequest

ATTRIBUTE

APPROPRIATE SYNTAX:

BIT STRING [SIZE (1)]

BEHAVIOUR DEFINED AS:

A GET attribute that indicates the local device is requesting an energy measurement from the remote device.;

30.12.2.1.18aa aLldpXdot3LocMeasVoltageValid

ATTRIBUTE

APPROPRIATE SYNTAX:

BIT STRING [SIZE (1)]

BEHAVIOUR DEFINED AS:

A GET attribute that indicates the local device's voltage measurement is valid.;

30.12.2.1.18ab aLldpXdot3LocMeasCurrentValid

ATTRIBUTE

APPROPRIATE SYNTAX:

BIT STRING [SIZE (1)]

BEHAVIOUR DEFINED AS:

A GET attribute that indicates the local device's current measurement is valid.;

30.12.2.1.18ac aLldpXdot3LocMeasPowerValid

ATTRIBUTE

APPROPRIATE SYNTAX:

BIT STRING [SIZE (1)]

BEHAVIOUR DEFINED AS:

A GET attribute that indicates the local device's power measurement is valid.;

30.12.2.1.18ad aLdpXdot3LocMeasEnergyValid

ATTRIBUTE

APPROPRIATE SYNTAX:

BIT STRING [SIZE (1)]

BEHAVIOUR DEFINED AS:

A GET attribute that indicates the local device's energy measurement is valid.;

30.12.2.1.18ae aLdpXdot3LocMeasVoltageUncertainty

ATTRIBUTE

APPROPRIATE SYNTAX:

INTEGER

BEHAVIOUR DEFINED AS:

A GET attribute that indicates the expanded uncertainty (coverage factor $k = 2$) for the device's voltage measurement. See Table 79–8a.;

30.12.2.1.18af aLdpXdot3LocMeasCurrentUncertainty

ATTRIBUTE

APPROPRIATE SYNTAX:

INTEGER

BEHAVIOUR DEFINED AS:

A GET attribute that indicates the expanded uncertainty (coverage factor $k = 2$) for the device's current measurement. See Table 79–8a.;

30.12.2.1.18ag aLdpXdot3LocMeasPowerUncertainty

ATTRIBUTE

APPROPRIATE SYNTAX:

INTEGER

BEHAVIOUR DEFINED AS:

A GET attribute that indicates the expanded uncertainty (coverage factor $k = 2$) for the device's power measurement. See Table 79–8a.;

30.12.2.1.18ah aLdpXdot3LocMeasEnergyUncertainty

ATTRIBUTE

APPROPRIATE SYNTAX:

INTEGER

BEHAVIOUR DEFINED AS:

A GET attribute that indicates the expanded uncertainty (coverage factor $k = 2$) for the device's energy measurement. See Table 79–8a.;

30.12.2.1.18ai aLldpXdot3LocVoltageMeasurement

ATTRIBUTE

APPROPRIATE SYNTAX:

INTEGER

BEHAVIOUR DEFINED AS:

A GET attribute that returns the measured device voltage. See Table 79–8a.;

30.12.2.1.18aj aLldpXdot3LocCurrentMeasurement

ATTRIBUTE

APPROPRIATE SYNTAX:

INTEGER

BEHAVIOUR DEFINED AS:

A GET attribute that returns the measured device current. See Table 79–8a.;

30.12.2.1.18ak aLldpXdot3LocPowerMeasurement

ATTRIBUTE

APPROPRIATE SYNTAX:

INTEGER

BEHAVIOUR DEFINED AS:

A GET attribute that returns the measured device power. See Table 79–8a.;

30.12.2.1.18al aLldpXdot3LocEnergyMeasurement

ATTRIBUTE

APPROPRIATE SYNTAX:

INTEGER

BEHAVIOUR DEFINED AS:

A GET attribute that returns the measured device energy. See Table 79–8a.;

30.12.2.1.18am aLldpXdot3LocPSEPowerPriceIndex

ATTRIBUTE

APPROPRIATE SYNTAX:

INTEGER

BEHAVIOUR DEFINED AS:

A GET attribute that returns an index of the price of power being sourced by the PSE. For a PD, this value is undefined.;

Delete 30.12.2.1.21 “aLldpXdot3LocReducedOperationPowerValue.”

30.12.3 LLDP Remote System Group managed object class

30.12.3.1 LLDP Remote System Group attributes

Change 30.12.3.1.6 through 30.12.3.1.10 as follows:

30.12.3.1.6 aLldpXdot3RemPowerMDISupported

ATTRIBUTE

APPROPRIATE SYNTAX:
BOOLEAN

BEHAVIOUR DEFINED AS:

This attribute contains a read-only Boolean value used to indicate whether the MDI power is supported on the given port associated with the remote PSE system. When the remote system is a PD, the value of this attribute is undefined.

30.12.3.1.7 aLldpXdot3RemPowerMDIEnabled

ATTRIBUTE

APPROPRIATE SYNTAX:
BOOLEAN

BEHAVIOUR DEFINED AS:

This attribute contains a read-only Boolean value used to identify whether MDI power is enabled on the given port associated with the remote PSE system. When the remote system is a PD, the value of this attribute is undefined.

30.12.3.1.8 aLldpXdot3RemPowerPairControllable

ATTRIBUTE

APPROPRIATE SYNTAX:
BOOLEAN

BEHAVIOUR DEFINED AS:

A read-only Boolean value is derived from the value of pethPsePortPowerPairsControlAbility object (defined in IETF RFC 3621) and is used to indicate whether the pair selection can be controlled on the given port associated with the remote system.
A read-only Boolean value used to indicate the ability to control which PSE Pinout Alternative (see 33.2.3 and 145.2.4) is used for PD detection and power on the given port on the remote system. For a PD, this attribute contains the value of the aPSEPowerPairsControlAbility attribute (see 30.9.1.1.3) on the given port on the remote system. For a PSE, the contents of this attribute are undefined.

30.12.3.1.9 aLldpXdot3RemPowerPairs

ATTRIBUTE

APPROPRIATE SYNTAX:

The same as used for aPSEPowerPairs
An ENUMERATED value list that has the following entries:

<u>signal</u>	<u>PSE Pinout Alternative A</u>
<u>spare</u>	<u>PSE Pinout Alternative B</u>

BEHAVIOUR DEFINED AS:

~~A read-only value that contains the value of the pethPsePortPowerPairs object (defined in IETF RFC 3621) which is associated with the given port on the remote system.;~~

A read-only value that identifies the supported PSE Pinout Alternative (see 33.2.3 and 145.2.4) in use for supplying power to the PD on the given port on the remote system. For a PD, this attribute contains a value derived from the aPSEPowerPairs attribute (see 30.9.1.1.4) on the given port on the remote system. For a PSE, the contents of this attribute are undefined. When the remote system is a Type 3 or Type 4 PSE supplying power on both PSE Pinout Alternatives, the value of this attribute can indicate either pinout. If the aLldpXdot3RemPowerPairsExt attribute is available, it will report this configuration.;

30.12.3.1.10 aLldpXdot3RemPowerClass

ATTRIBUTE

APPROPRIATE SYNTAX:

~~The same as used for aPSEPowerClassification~~

An ENUMERATED value list that has the following entries:

<u>class0</u>	<u>Class 0 PD</u>
<u>class1</u>	<u>Class 1 PD</u>
<u>class2</u>	<u>Class 2 PD</u>
<u>class3</u>	<u>Class 3 PD</u>
<u>class4</u>	<u>Class 4 PD</u>

BEHAVIOUR DEFINED AS:

~~A read-only value that contains the value of the pethPsePortPowerClassifications object (defined in IETF RFC 3621) which is associated with the given port on the remote system.;~~

A read-only value that identifies the requested Class of the PD as specified in 33.2.6 and 145.2.8 on the given port on the remote system. This attribute will return an enumeration of “class4” for a PD of Class 4 or higher as such PD Classes are identified through the aLldpXdot3RemPowerClassExt attribute.;

Change 30.12.3.1.14 as follows:

30.12.3.1.14 aLldpXdot3RemPowerType

ATTRIBUTE

APPROPRIATE SYNTAX:

BIT STRING [SIZE (2)]

BEHAVIOUR DEFINED AS:

~~A GET attribute that returns a bit string indicating whether the remote system is a PSE or a PD and whether it is Type 1 or Type 2 greater than Type 1. The first bit indicates Type 1 or Type 2 greater than Type 1. The second bit indicates PSE or PD. See also aLldpXdot3RemPowerTypeExt.;~~

Change 30.12.3.1.17 as follows:

30.12.3.1.17 aLldpXdot3RemPDRRequestedPowerValue

ATTRIBUTE

APPROPRIATE SYNTAX:

INTEGER

BEHAVIOUR DEFINED AS:

A GET attribute that returns the PD requested power value that was used by the remote system to compute the power value that ~~is it~~ has currently allocated to the PD. For a PSE, it is the PD requested power value received from the remote system. The definition and encoding of PD requested power value is the same as described in aLldpXdot3LocPDRequestedPowerValue (30.12.2.1.17). For a PD, it is the mirrored copy of the requested power field echoed back by the remote PSE.;

Insert the following new subclauses, 30.12.3.1.17a and 30.12.3.1.17b, after 30.12.3.1.17:

30.12.3.1.17a aLldpXdot3RemPDRequestedPowerValueA

ATTRIBUTE

APPROPRIATE SYNTAX:
INTEGER

BEHAVIOUR DEFINED AS:

A GET attribute that returns the PD requested power value for the Mode A pairset that was used by the remote system to compute the power value that it has currently allocated to the PD. For a PSE, it is the PD requested power value for the Alternative A pairset received from the remote system. For a PD, it is the PD requested power value for the Alternative A pairset that the PSE echoes back to the remote system. The definition and encoding of PD requested power value for the Mode A pairset is the same as described in aLldpXdot3LocPDRequestedPowerValueA (30.12.2.1.17a).;

30.12.3.1.17b aLldpXdot3RemPDRequestedPowerValueB

ATTRIBUTE

APPROPRIATE SYNTAX:
INTEGER

BEHAVIOUR DEFINED AS:

A GET attribute that returns the PD requested power value for the Mode B pairset that was used by the remote system to compute the power value that it has currently allocated to the PD. For a PSE, it is the PD requested power value for the Alternative B pairset received from the remote system. For a PD, it is the PD requested power value for the Alternative B pairset that the PSE echoes back to the remote system. The definition and encoding of PD requested power value for the Mode B pairset is the same as described in aLldpXdot3LocPDRequestedPowerValueB (30.12.2.1.17b).;

Change 30.12.3.1.18 as follows:

30.12.3.1.18 aLldpXdot3RemPSEAllocatedPowerValue

ATTRIBUTE

APPROPRIATE SYNTAX:
INTEGER

BEHAVIOUR DEFINED AS:

A GET attribute that returns the PSE allocated power value received from the remote system. For a PSE, it is the PSE allocated power value that ~~was used by the remote system to compute the power value that it has currently requested from the PSE, was echoed back by the remote PD.~~ For a PD, it is the PSE allocated power value received from the remote system. The definition and

encoding of PSE allocated power value is the same as described in
aLldpXdot3LocPSEAllocatedPowerValue (30.12.2.1.18).;

Insert the following new subclauses, 30.12.3.1.18a through 30.12.3.1.18am, after 30.12.3.1.18:

30.12.3.1.18a aLldpXdot3RemPSEAllocatedPowerValueA

ATTRIBUTE

APPROPRIATE SYNTAX:
INTEGER

BEHAVIOUR DEFINED AS:

A GET attribute that returns the PSE allocated power value for the Alternative A pairset received from the remote system. For a PSE, it is the PSE allocated power value for the Alternative A pairset that was echoed back by the remote PD. For a PD, it is the PSE allocated power value for the Mode A pairset received from the remote system. The definition and encoding of PSE allocated power value for the Alternative A pairset is the same as described in aLldpXdot3LocPSEAllocatedPowerValueA (30.12.2.1.18a).;

30.12.3.1.18b aLldpXdot3RemPSEAllocatedPowerValueB

ATTRIBUTE

APPROPRIATE SYNTAX:
INTEGER

BEHAVIOUR DEFINED AS:

A GET attribute that returns the PSE allocated power value for the Alternative B pairset received from the remote system. For a PSE, it is the PSE allocated power value for the Alternative B pairset that was echoed back by the remote PD. For a PD, it is the PSE allocated power value for the Mode B pairset received from the remote system. The definition and encoding of PSE allocated power value for the Alternative B pairset is the same as described in aLldpXdot3LocPSEAllocatedPowerValueB (30.12.2.1.18b).;

30.12.3.1.18c aLldpXdot3RemPSEPoweringStatus

ATTRIBUTE

APPROPRIATE SYNTAX:

An ENUMERATED VALUE that has one of the following entries:

4PdualsigPD	4-pair powering a dual-signature PD
4Psingle sigPD	4-pair powering a single-signature PD
2P	2-pair powering

BEHAVIOUR DEFINED AS:

A read only value that indicates the powering status of the remote PSE. For a PSE, the contents of this attribute are undefined.;

30.12.3.1.18d aLldpXdot3RemPDPoweredStatus

ATTRIBUTE

APPROPRIATE SYNTAX:

An ENUMERATED VALUE that has one of the following entries:

4PdualsigPD	4-pair powered dual-signature PD
-------------	----------------------------------

2PdualsigPD 2-pair powered dual-signature PD
singlesigPD powered single-signature PD

BEHAVIOUR DEFINED AS:

A read only value that indicates the powering status of the remote PD. For a PD, the contents of this attribute are undefined.;

30.12.3.1.18e aLldpXdot3RemPowerPairsExt

ATTRIBUTE

APPROPRIATE SYNTAX:

An ENUMERATED VALUE that has one of the following entries:

altA Alternative A
altB Alternative B
both Both Alternatives

BEHAVIOUR DEFINED AS:

A read-only value that identifies the supported PSE Pinout Alternative specified in 145.2.4. For a PD, this attribute contains the value of the aPSEPowerPairs attribute (see 30.9.1.1.4) as sent by the remote PSE. For a PSE, the contents of this attribute are undefined.;

30.12.3.1.18f aLldpXdot3RemPowerClassExtA

ATTRIBUTE

An ENUMERATED VALUE that has one of the following entries:

singlesig Single-signature PD or 2-pair only PSE
class1 Class 1
class2 Class 2
class3 Class 3
class4 Class 4
class5 Class 5

BEHAVIOUR DEFINED AS:

For a dual-signature PD, a read-only value that indicates the currently assigned Class for Mode A by the remote 4-pair PSE. For a single-signature PD or a dual-signature PD connected to a 2-pair only PSE, a read-only value set to 'singlesig' by the remote PSE. For a PSE connected to a dual-signature PD, a read-only value that indicates the requested Class for Mode A during Physical Layer classification (see 145.2.8) by the remote PD. For a PSE connected to a single-signature PD, a read-only value set to 'singlesig' by the remote PD.;

30.12.3.1.18g aLldpXdot3RemPowerClassExtB

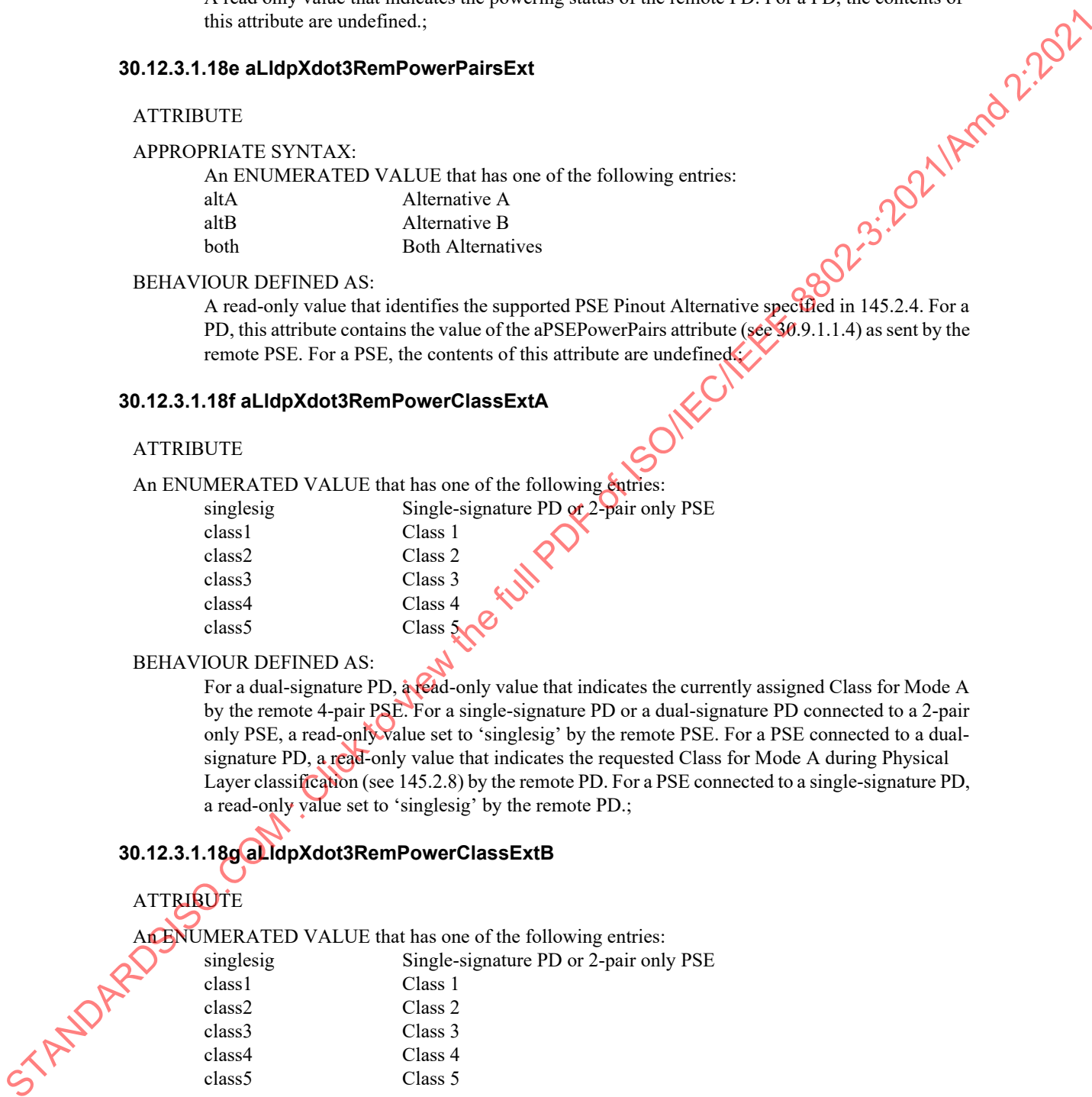
ATTRIBUTE

An ENUMERATED VALUE that has one of the following entries:

singlesig Single-signature PD or 2-pair only PSE
class1 Class 1
class2 Class 2
class3 Class 3
class4 Class 4
class5 Class 5

BEHAVIOUR DEFINED AS:

For a dual-signature PD, a read-only value that indicates the currently assigned Class for Mode B by the remote 4-pair PSE. For a single-signature PD or a dual-signature PD connected to a 2-pair



only PSE, a read-only value set to 'singlesig' by the remote PSE. For a PSE connected to a dual-signature PD, a read-only value that indicates the requested Class for Mode B during Physical Layer classification (see 145.2.8) by the remote PD. For a PSE connected to a single-signature PD, a read-only value set to 'singlesig' by the remote PD.;

30.12.3.1.18h aLldpXdot3RemPowerClassExt

ATTRIBUTE

APPROPRIATE SYNTAX:

An ENUMERATED VALUE that has one of the following entries:

dualsig	Dual-signature PD
class1	Class 1
class2	Class 2
class3	Class 3
class4	Class 4
class5	Class 5
class6	Class 6
class7	Class 7
class8	Class 8

BEHAVIOUR DEFINED AS:

For a single-signature PD or a dual-signature PD connected to a 2-pair only PSE, a read-only value that indicates the currently assigned Class by the remote PSE. For a dual-signature PD connected to a 4-pair capable PSE, a read-only value set to 'dualsig' by the remote PSE. For a PSE connected to a single-signature PD, a read-only value that indicates the requested Class during Physical Layer classification (see 145.2.8) by the remote PD. For a PSE connected to a dual-signature PD, a read-only value set to 'dualsig' by the remote PD.;

30.12.3.1.18i aLldpXdot3RemPowerTypeExt

ATTRIBUTE

APPROPRIATE SYNTAX:

An ENUMERATED VALUE that has one of the following entries:

type4dualsigPD	Type 4 dual-signature PD
type4singlesigPD	Type 4 single-signature PD
type3dualsigPD	Type 3 dual-signature PD
type3singlesigPD	Type 3 single-signature PD
type4PSE	Type 4 PSE
type3PSE	Type 3 PSE

BEHAVIOUR DEFINED AS:

A read-only attribute that returns a value to indicate if the remote system is a Type 3 or Type 4 PSE or PD and, in the case of a Type 3 or Type 4 PD, if it is a single-signature PD or dual-signature PD.;

30.12.3.1.18j aLldpXdot3RemPDLoad

ATTRIBUTE

APPROPRIATE SYNTAX:

BOOLEAN

BEHAVIOUR DEFINED AS:

For a PSE, a GET attribute that returns whether the load of the remote dual-signature PD is electrically isolated, as defined in 79.3.2.6d.2. For a PD, this attribute is set to FALSE.;

30.12.3.1.18k aLldpXdot3RemPD4PID

ATTRIBUTE

APPROPRIATE SYNTAX:

BOOLEAN

BEHAVIOUR DEFINED AS:

A read-only Boolean attribute indicating whether the remote PD system supports powering of both PD Modes.;

30.12.3.1.18l aLldpXdot3RemPSEMaxAvailPower

ATTRIBUTE

APPROPRIATE SYNTAX:

INTEGER

BEHAVIOUR DEFINED AS:

A GET attribute that returns the remote PSE maximum available power value in units of 0.1 W.;

30.12.3.1.18m aLldpXdot3RemPSEAutoclassSupport

ATTRIBUTE

APPROPRIATE SYNTAX:

BOOLEAN

BEHAVIOUR DEFINED AS:

A read-only Boolean attribute indicating whether the remote PSE system supports Autoclass.;

30.12.3.1.18n aLldpXdot3RemAutoclassCompleted

ATTRIBUTE

APPROPRIATE SYNTAX:

BOOLEAN

BEHAVIOUR DEFINED AS:

A read-only Boolean attribute indicating whether the remote PSE system has completed the Autoclass measurement.;

30.12.3.1.18o aLldpXdot3RemAutoclassRequest

ATTRIBUTE

APPROPRIATE SYNTAX:

BOOLEAN

BEHAVIOUR DEFINED AS:

A read-only Boolean attribute indicating whether the remote PD system is requesting an Autoclass measurement.;

30.12.3.1.18p aLldpXdot3RemPowerDownRequest

ATTRIBUTE

APPROPRIATE SYNTAX:

INTEGER

BEHAVIOUR DEFINED AS:

A read-only attribute that indicates the remote PD system is requesting a power down when the value is 0x1D.;

30.12.3.1.18q aLldpXdot3RemPowerDownTime

ATTRIBUTE

APPROPRIATE SYNTAX:

INTEGER

BEHAVIOUR DEFINED AS:

A GET attribute that indicates the number of seconds the remote PD requests to stay powered off.
A value of zero indicates an indefinite amount of time.;

30.12.3.1.18r aLldpXdot3RemMeasVoltageSupport

ATTRIBUTE

APPROPRIATE SYNTAX:

BOOLEAN

BEHAVIOUR DEFINED AS:

A GET attribute that indicates if the remote device is capable of providing a voltage measurement.;

30.12.3.1.18s aLldpXdot3RemMeasCurrentSupport

ATTRIBUTE

APPROPRIATE SYNTAX:

BOOLEAN

BEHAVIOUR DEFINED AS:

A GET attribute that indicates if the remote device is capable of providing a current measurement.;

30.12.3.1.18t aLldpXdot3RemMeasPowerSupport

ATTRIBUTE

APPROPRIATE SYNTAX:

BOOLEAN

BEHAVIOUR DEFINED AS:

A GET attribute that indicates if the remote device is capable of providing a power measurement.;

30.12.3.1.18u aLldpXdot3RemMeasEnergySupport

ATTRIBUTE

APPROPRIATE SYNTAX:

BOOLEAN

BEHAVIOUR DEFINED AS:

A GET attribute that indicates if the remote device is capable of providing an energy measurement.;

30.12.3.1.18v aLldpXdot3RemMeasurementSource

ATTRIBUTE

APPROPRIATE SYNTAX:

BIT STRING [SIZE (2)]

BEHAVIOUR DEFINED AS:

A SET attribute value that indicates on which Alternative or Mode the measurement was taken by the remote device.;

30.12.3.1.18w aLldpXdot3RemMeasVoltageRequest

ATTRIBUTE

APPROPRIATE SYNTAX:

BOOLEAN

BEHAVIOUR DEFINED AS:

A GET attribute that indicates the remote device is requesting a voltage measurement from the local device.;

30.12.3.1.18x aLldpXdot3RemMeasCurrentRequest

ATTRIBUTE

APPROPRIATE SYNTAX:

BOOLEAN

BEHAVIOUR DEFINED AS:

A GET attribute that indicates the remote device is requesting a current measurement from the local device.;

30.12.3.1.18y aLldpXdot3RemMeasPowerRequest

ATTRIBUTE

APPROPRIATE SYNTAX:

BOOLEAN

BEHAVIOUR DEFINED AS:

A GET attribute that indicates the remote device is requesting a power measurement from the local device.;

30.12.3.1.18z aLldpXdot3RemMeasEnergyRequest

ATTRIBUTE

APPROPRIATE SYNTAX:

BOOLEAN

BEHAVIOUR DEFINED AS:

A GET attribute that indicates the remote device is requesting an energy measurement from the local device.;

30.12.3.1.18aa aLldpXdot3RemMeasVoltageValid

ATTRIBUTE

APPROPRIATE SYNTAX:
BOOLEAN

BEHAVIOUR DEFINED AS:
A GET attribute that indicates the remote device's voltage measurement is valid.;

30.12.3.1.18ab aLldpXdot3RemMeasCurrentValid

ATTRIBUTE

APPROPRIATE SYNTAX:
BOOLEAN

BEHAVIOUR DEFINED AS:
A GET attribute that indicates the remote device's current measurement is valid.;

30.12.3.1.18ac aLldpXdot3RemMeasPowerValid

ATTRIBUTE

APPROPRIATE SYNTAX:
BOOLEAN

BEHAVIOUR DEFINED AS:
A GET attribute that indicates the remote device's power measurement is valid.;

30.12.3.1.18ad aLldpXdot3RemMeasEnergyValid

ATTRIBUTE

APPROPRIATE SYNTAX:
BOOLEAN

BEHAVIOUR DEFINED AS:
A GET attribute that indicates the remote device's energy measurement is valid.;

30.12.3.1.18ae aLldpXdot3RemMeasVoltageUncertainty

ATTRIBUTE

APPROPRIATE SYNTAX:
INTEGER

BEHAVIOUR DEFINED AS:
A GET attribute that indicates the expanded uncertainty (coverage factor $k = 2$) for the remote device's voltage measurement. See Table 79–8a.;

30.12.3.1.18af aLldpXdot3RemMeasCurrentUncertainty

ATTRIBUTE

APPROPRIATE SYNTAX:
INTEGER

BEHAVIOUR DEFINED AS:

A GET attribute that indicates the expanded uncertainty (coverage factor $k = 2$) for the remote device's current measurement. See Table 79–8a.;

30.12.3.1.18ag aLldpXdot3RemMeasPowerUncertainty

ATTRIBUTE

APPROPRIATE SYNTAX:
INTEGER

BEHAVIOUR DEFINED AS:

A GET attribute that indicates the expanded uncertainty (coverage factor $k = 2$) for the remote device's power measurement. See Table 79–8a.;

30.12.3.1.18ah aLldpXdot3RemMeasEnergyUncertainty

ATTRIBUTE

APPROPRIATE SYNTAX:
INTEGER

BEHAVIOUR DEFINED AS:

A GET attribute that indicates the expanded uncertainty (coverage factor $k = 2$) for the remote device's energy measurement. See Table 79–8a.;

30.12.3.1.18ai aLldpXdot3RemVoltageMeasurement

ATTRIBUTE

APPROPRIATE SYNTAX:
INTEGER

BEHAVIOUR DEFINED AS:

A GET attribute that returns the measured remote device voltage. See Table 79–8a.;

30.12.3.1.18aj aLldpXdot3RemCurrentMeasurement

ATTRIBUTE

APPROPRIATE SYNTAX:
INTEGER

BEHAVIOUR DEFINED AS:

A GET attribute that returns the measured remote device current. See Table 79–8a.;

30.12.3.1.18ak aLldpXdot3RemPowerMeasurement

ATTRIBUTE

APPROPRIATE SYNTAX:
INTEGER

BEHAVIOUR DEFINED AS:

A GET attribute that returns the measured remote device power. See Table 79–8a.;

30.12.3.1.18al aLldpXdot3RemEnergyMeasurement

ATTRIBUTE

APPROPRIATE SYNTAX:

INTEGER

BEHAVIOUR DEFINED AS:

A GET attribute that returns the measured remote device energy. See Table 79–8a.;

30.12.3.1.18am aLldpXdot3RemPSEPowerPriceIndex

ATTRIBUTE

APPROPRIATE SYNTAX:

INTEGER

BEHAVIOUR DEFINED AS:

A GET attribute that returns an index of the price of power being sourced by the remote PSE. For a PSE, this value is undefined.;

STANDARDSISO.COM : Click to view the full PDF of ISO/IEC/IEEE 8802-3:2021/Amd 2:2021

Change the title of Clause 33 as follows:

33. ~~Data Terminal Equipment (DTE) Power via Media Dependent Interface (MDI)~~ Power over Ethernet over 2 Pairs

33.1 Overview

Insert the following paragraph after the first paragraph (“This clause defines”) in 33.1:

This clause specifies Type 1 and Type 2 devices. References to PSEs and PDs without a Type qualifier refer to Type 1 and Type 2 devices. See Clause 145 for the specification of Type 3 and Type 4 devices.

Change the first sentence in the now third paragraph of 33.1 as follows:

~~DTE powering~~ Power over Ethernet is intended to provide a 10BASE-T, 100BASE-TX, ~~or~~ 1000BASE-T, 2.5GBASE-T, 5GBASE-T, or 10GBASE-T device with a single interface to both the data it requires and the power to process this data.

33.1.1 Objectives

Change item c) and item d) in 33.1.1 as follows:

- c) *Compatibility*—Clause 33 utilizes the MDIs of 10BASE-T, 100BASE-TX, and 1000BASE-T without modification. Type 1 operation adds no significant requirements to the cabling. Type 2 operation requires ISO/IEC 11801:1995 Class D or better cabling and a derating of the cabling maximum ambient operating temperature. ~~The clause does not address the operation of 10GBASE-T. For 10GBASE-T operation, the channel model specified in Clause 55 needs to be met without regard to DTE Power via MDI presence or operation.~~
- d) *Simplicity*—The powering system described here is no more burdensome on the end users than the requirements of 10BASE-T, 100BASE-TX, ~~or~~ 1000BASE-T, 2.5GBASE-T, 5GBASE-T, or 10GBASE-T.

Change the title and first two paragraphs of 33.1.3 and the titles of Figure 33–1, Figure 33–2, and Figure 33–3 as follows:

33.1.3 Relationship of DTE Power via MDI Power over Ethernet to the IEEE 802.3 Architecture

DTE Power via MDI Power over Ethernet comprises an optional non-data entity. As a non-data entity, it does not appear in a depiction of the OSI Reference Model. Figure 33–1 depicts the positioning of DTE Power via MDI Power over Ethernet (PoE) in the case of the PD.

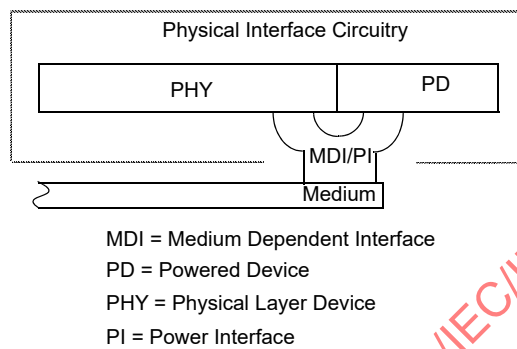


Figure 33–1—DTE Power via MDI PoE powered device relationship to the physical interface circuitry and the IEEE 802.3 CSMA/CD LAN model

Figure 33–2 and Figure 33–3 depict the positioning of DTE Power via MDI Power over Ethernet in the cases of the Endpoint PSE and the Midspan PSE, respectively.

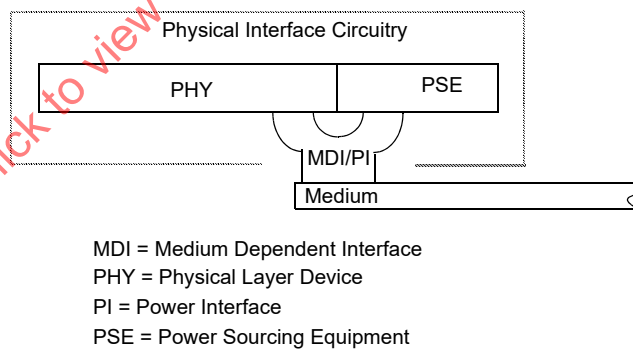


Figure 33–2—DTE Power via MDI PoE Endpoint power sourcing equipment relationship to the physical interface circuitry and the IEEE 802.3 CSMA/CD LAN model

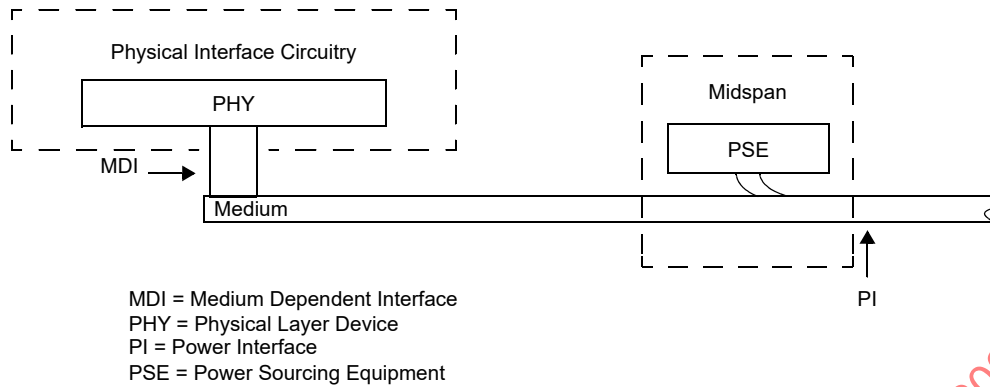


Figure 33–3—DTE Power via MDI PoE Midspan power sourcing equipment relationship to the physical interface circuitry and the IEEE 802.3 CSMA/CD LAN model

33.2 Power sourcing equipment (PSE)

33.2.1 PSE location

Change the last paragraph of 33.2.1 as follows:

The PSEs can be specification is designed to be compatible with any of the following: 10BASE-T, 100BASE-TX, and/or 1000BASE-T, 2.5GBASE-T, 5GBASE-T, 10GBASE-T. PSEs may support either Alternative A, Alternative B, or both.

33.2.2 Midspan PSE types

Change the first paragraph of 33.2.2 as follows:

There are ~~two types~~ several variants of Midspan PSEs defined:-

Insert the following new variant descriptions after the “1000BASE-T Midspan PSE” description in 33.2.2:

2.5GBASE-T Midspan PSE:

A Midspan PSE that results in a link that can support 1000BASE-T and 2.5GBASE-T operation and optionally support 10BASE-T and 100BASE-TX operation (see Figure 33–7).

5GBASE-T Midspan PSE:

A Midspan PSE that results in a link that can support 1000BASE-T, 2.5GBASE-T, and 5GBASE-T operation and optionally support 10BASE-T and 100BASE-TX operation (see Figure 33–7).

10GBASE-T Midspan PSE:

A Midspan PSE that results in a link that can support 1000BASE-T, 2.5GBASE-T, 5GBASE-T, and 10GBASE-T operation and optionally support 10BASE-T and 100BASE-TX operation (see Figure 33–7).

Change the titles of Figure 33-5 and Figure 33-7 as follows:

Figure 33–5—1000/2.5G/5G/10GBASE-T Endpoint PSE location overview

Figure 33–7—1000/2.5G/5G/10GBASE-T Midspan PSE location overview

33.3 Powered devices (PDs)

33.3.1 PD PI

Change the note in 33.3.1 as follows:

NOTE—PDs that implement only Mode A or Mode B are specifically not allowed by this standard. PDs that simultaneously require power from both Mode A and Mode B are specifically not allowed by this ~~clause standard~~. A PD may indicate the ability to accept power on both pairsets from a Clause 145 PSE using TLV variable PD 4PID; see 79.3.2.4.2a.

33.4 Additional electrical specifications

Change 33.4 as follows:

This clause defines additional electrical specifications for both the PSE and PD. The specifications apply for all PSE and PD operating conditions at the cabling side of the mated connection of the PI. The requirements apply during data transmission only when specified as an operating condition.

The requirements of 33.4 are consistent with the requirements of the 10BASE-T MAU and the 100BASE-TX, ~~and~~ 1000BASE-T, 2.5GBASE-T, 5GBASE-T, and 10GBASE-T PHYs.

33.4.2 Fault tolerance

Change the first paragraph of 33.4.2 as follows:

Each wire pair of the PI, when it is also an MDI (e.g., an Endpoint PSE or PD), shall meet the fault tolerance requirements of the appropriate specifying clause. (See 14.3.1.2.7, 25.4, ~~and~~ 40.8.3.4, 55.8.2.3, and 126.8.2.4.) When a PI is not an MDI (e.g., a Midspan PSE), the PSE PI shall meet the fault tolerance requirements of this subclause.

33.4.3 Impedance balance

Change the first paragraph of 33.4.3, including the deletion of Equation (33-15) and Equation (33-16), as follows:

Impedance balance is a measurement of the common-mode-to-differential-mode offset of the PI. The common-mode-to-differential-mode impedance balance for the transmit and receive pairs shall exceed the limits in Table 33-19a for all supported PHY speeds.

$$\left\{ 29.0 - 17.0 \times \log_{10} \left(\frac{f}{10.0} \right) \right\} \text{ dB} \quad (33-15)$$

where

f is the frequency in MHz from 1.00 MHz to 20.0 MHz for a 10 Mb/s MAU

$$\left\{ 34.0 - 19.2 \times \log_{10} \left(\frac{f}{50.0} \right) \right\} \text{ dB} \quad (33-16)$$

where

f is the frequency in MHz from 1.00 MHz to 100. MHz for a 100 Mb/s or greater PHY

Insert Table 33-19a into 33.4.3 after the first paragraph:

Table 33-19a—Impedance balance limits for supported speeds

Supported speed	Impedance balance limit (dB)	Frequency range
10 Mb/s MAU	$29 - 17 \times \log_{10}(f/10)$	$1 \leq f \leq 20$ MHz
100 Mb/s or 1000 Mb/s PHY	$34 - 19.2 \times \log_{10}(f/50)$	$1 \leq f \leq 100$ MHz
2.5 Gb/s PHY	48	$1 \leq f < 10$ MHz
	$48 - 20 \times \log_{10}(f/10)$	$10 \leq f < 20$ MHz
	$42 - 15 \times \log_{10}(f/20)$	$20 \leq f \leq 125$ MHz
5 Gb/s PHY	48	$1 \leq f < 30$ MHz
	$44 - 19.2 \times \log_{10}(f/50)$	$30 \leq f \leq 250$ MHz
10 Gb/s PHY	48	$1 \leq f < 30$ MHz
	$44 - 19.2 \times \log_{10}(f/50)$	$30 \leq f \leq 500$ MHz

33.4.4 Common-mode output voltage

Change the first paragraph of 33.4.4 as follows:

The magnitude of the common-mode AC output voltage measured according to Figure 33-21 and Figure 33-22 at the transmit PI while transmitting data and with power applied, E_{cm_out} , shall not exceed 50 mV peak when operating at 10 Mb/s, and 50 mV peak-to-peak when operating at 100 Mb/s or greater. The frequency of the measurement shall be from 1 MHz to 100 MHz, the values in Table 33-19b while operating at the specified speed, when measured over the specified bandwidth.

Insert Table 33-19b into 33.4.4 after Figure 33-22:

Table 33-19b—Common-mode output voltage for given operating speed

Operating speed	Common-mode output voltage (E_{cm_out})	Measurement bandwidth
10 Mb/s MAU	50 mV peak	$1 \leq f \leq 100$ MHz
100 Mb/s or 1000 Mb/s PHY	50 mV _{pp}	$1 \leq f \leq 100$ MHz
2.5 Gb/s PHY	50 mV _{pp}	$1 \leq f \leq 100$ MHz
5 Gb/s PHY	50 mV _{pp}	$1 \leq f \leq 250$ MHz
10 Gb/s PHY	50 mV _{pp}	$1 \leq f \leq 500$ MHz

33.4.6 Differential noise voltage

Change 33.4.6 as follows:

~~The~~ For 10/100/1000 Mb/s, the coupled noise, $E_{d\ out}$ in Figure 33–22, from a PSE or PD to the differential transmit and receive pairs shall not exceed 10 mV peak-to-peak when measured from 1 MHz to 100 MHz under the conditions specified in 33.4.4, item 1) and item 2).

For 2.5GBASE-T, 5GBASE-T, or 10GBASE-T, the coupled noise, $E_{d\ out}$ in Figure 33–22, from a PSE or PD to the differential transmit and receive pairs shall not exceed 10 mV peak-to-peak when measured in the band from 1 MHz to 10 MHz and shall not exceed 1 mV peak-to-peak when measured in the band from 10 MHz to 100 MHz for 2.5GBASE-T, 10 MHz to 250 MHz for 5GBASE-T, and 10 MHz to 500 MHz for 10GBASE-T under the conditions specified in 33.4.4, item 1) and item 2).

33.4.7 Return loss

Change 33.4.7 as follows:

The differential impedance of the transmit and receive pairs at the PHY's MDI shall be such that any reflection shall meet the return loss requirements as specified in 14.3.3.4 for a 10 Mb/s PHY, in ANSI INCITS 263-1995 for a 100 Mb/s PHY, and in 40.8.3.1 for a 1000 Mb/s PHY, in 126.8.2.2 for a 2.5 Gb/s or 5 Gb/s PHY, and in 55.8.2.1 for a 10 Gb/s PHY. In addition, all pairs terminated at an MDI should maintain a nominal common-mode impedance of 75 Ω . The common-mode termination is affected by the presence of the power supply, and this should be considered to determine proper termination.

33.4.9 Midspan PSE device additional requirements

Change the third paragraph of 33.4.9 as follows:

The insertion of a Midspan PSE at the Floor Distributor (FD) shall comply with the following guidelines:

- a) If the existing FD configuration is of the “Interconnect model” type, the Midspan PSE can be added, provided it does not increase the length-insertion loss of the resulting “channel” to more than that specified for the same Class or category 100 m channel as defined in ISO/IEC 11801 or ANSI/TIA-568-C.0.
- b) If the existing FD configuration is of the “Cross-connect model” type, the Midspan PSE can ~~needs to be~~ installed instead of one of the connection pairs in the FD. In addition, the installation of the Midspan PSE shall not increase the length-insertion loss of the resulting “channel” to more than that specified for the same Class or category 100 m channel as defined in ISO/IEC 11801 or ANSI/TIA-568-C.0.
- c) For a 10GBASE-T midspan PSE, in meeting either of the above requirements, the Midspan PSE may be substituted for up to two connection pairs in the FD.

Change 33.4.9.1 and 33.4.9.1.1 through 33.4.9.1.3 as follows:

33.4.9.1 “Connector” or “telecom outlet” Midspan PSE device transmission requirements

The Midspan PSE equipment to be inserted as “connector” or “telecom outlet” shall meet the following transmission parameters. These parameters should be measured using the test procedures of ISO 11801:2002 or ANSI/TIA-568-C.2 for connecting hardware.

There are ~~four types~~ five variants of Midspan PSEs defined with respect to transmission requirements:

- 1) 10BASE-T/100BASE-TX connector ~~or telecom outlet~~ Midspan PSE
- 2) ~~10BASE-T/100BASE-TX work area or equipment cable~~ Midspan PSE
- 3) ~~1000BASE-T connector or telecom outlet~~ Midspan PSE
- 4) ~~1000BASE-T work area or equipment cable~~ Midspan PSE
- 3) 2.5GBASE-T connector Midspan PSE
- 4) 5GBASE-T connector Midspan PSE
- 5) 10GBASE-T connector Midspan PSE

33.4.9.1.1 Near End Crosstalk (NEXT)

NEXT loss is a measure of the unwanted signal coupling from a transmitter at the near-end into neighboring pairs measured at the near-end. NEXT loss is expressed in dB relative to the received signal level. For operation with 1000BASE-T and lower rates, NEXT loss for Midspan PSE devices shall meet the values determined by Equation (33–18) when measured for the transmit and receive pairs from 1 MHz to 100 MHz. ~~However, For operation with 5GBASE-T and lower rates,~~ for frequencies that correspond to calculated values greater than 65 dB, the requirement reverts to the minimum requirement of 65 dB.

$$\{NEXT_{conn}\}_{dB} \geq 40.0 - 20.0 \times \log_{10}\left(\frac{f}{100}\right) \quad (33-18)$$

where

NEXT_{conn} is the Near End Crosstalk loss
f is the frequency expressed in MHz

For 2.5GBASE-T, NEXT loss for Midspan PSE devices shall meet the values determined by Equation (33–18a) when measured for the transmit and receive pairs from 1 MHz to 100 MHz. For 5GBASE-T, NEXT loss for Midspan PSE devices shall meet the values determined by Equation (33–18a) when measured for the transmit and receive pairs from 1 MHz to 250 MHz. For operation with 2.5GBASE-T and 5GBASE-T, for frequencies that correspond to calculated values greater than 65 dB, the requirement reverts to the minimum requirement of 65 dB.

$$\{NEXT_{conn}\}_{dB} \geq 43 - 20 \times \log_{10}\left(\frac{f}{100}\right) \quad (33-18a)$$

where

NEXT_{conn} is the Near End Crosstalk loss
f is the frequency expressed in MHz

For 10GBASE-T operation, NEXT loss for Midspan PSE devices shall meet the values determined by Equation (33–18b) when measured for the transmit and receive pairs from 1 MHz to 500 MHz. However, for frequencies that correspond to calculated values greater than 75 dB, the requirement reverts to the minimum requirement of 75 dB.

$$\{NEXT_{conn}\}_{dB} \leq \left\{ \begin{array}{ll} 54 - 20 \times \log_{10}\left(\frac{f}{100}\right) & \text{for } (1 \leq f \leq 250) \\ 46.04 - 40 \times \log_{10}\left(\frac{f}{250}\right) & \text{for } (250 < f \leq 500) \end{array} \right\}_{dB} \quad (33-18b)$$

where

NEXT_{conn} is the Near End Crosstalk loss in dB
f is the frequency expressed in MHz

33.4.9.1.2 Insertion loss

Insertion loss is a measure of the signal loss between the transmitter and receiver, expressed in dB relative to the received signal level. For other than 5GBASE-T or 10GBASE-T operation, insertion loss for Midspan PSE devices shall meet the values determined by Equation (33–19) when measured for the transmit and receive pairs from 1 MHz to 100 MHz. However, for 5GBASE-T capable midspans, insertion loss for Midspan PSE devices shall meet the values determined by Equation (33–19) when measured for the transmit and receive pairs from 1 MHz to 250 MHz. For frequencies that correspond to calculated values less than 0.1 dB, the requirement reverts to the maximum requirement of 0.1 dB. For 10GBASE-T operation, insertion loss for Midspan PSE devices shall meet the values determined by Equation (33–19) when measured from the transmit and receive pairs from 1 MHz to 500 MHz.

$$\{IL_{conn}\}_{dB} \leq 0.040 \times \sqrt{f} \tag{33-19}$$

where

- IL_{conn} is the insertion loss
- f is the frequency expressed in MHz

33.4.9.1.3 Return loss

Return loss is a measure of the reflected energy caused by impedance mismatches in the cabling system and is expressed in dB relative to the reflected signal level. Return loss for Midspan PSE devices shall meet or exceed the values specified in Table 33–20 ~~when measured for the transmit and receive pairs from 1 MHz to 100 MHz.~~

Table 33–20—Connector return loss

<u>Midspan PSE variant</u>	<u>Frequency</u>	<u>Return loss</u>
<u>10/100/1000BASE-T</u>	$1 \text{ MHz} \leq f < 20 \text{ MHz}$	23 dB
	$20 \text{ MHz} \leq f \leq 100 \text{ MHz}$	14 dB
<u>2.5GBASE-T</u>	$1 \text{ MHz} \leq f < 31.5 \text{ MHz}$	30 dB
	$31.5 \text{ MHz} \leq f < 100 \text{ MHz}$	$20 - 20 \log_{10}(f / 100)$
<u>5GBASE-T</u>	$1 \text{ MHz} \leq f < 31.5 \text{ MHz}$	30 dB
	$31.5 \text{ MHz} \leq f \leq 250 \text{ MHz}$	$20 - 20 \log_{10}(f / 100)$
<u>10GBASE-T</u>	$1 \text{ MHz} \leq f < 79 \text{ MHz}$	30 dB
	$79 \text{ MHz} \leq f \leq 500 \text{ MHz}$	$28 - 20 \log_{10}(f / 100)$

Change the subclause number, title, and text of 33.4.9.1.4 as follows:

33.4.9.1a ~~33.4.9.1.4~~ Work area or equipment cable Cord Midspan PSE

Replacing the work area or equipment cable with a cable that includes a Midspan PSE should not alter the requirements of the cable. This cable shall meet the requirements of this clause and the specifications for a ~~Category 5~~ (jumper) cord ~~as specified in ISO/IEC 11801:2002 or ANSI/TIA-568-C.2~~ for insertion loss, NEXT, and return loss for the transmit and receive pairs, as shown in Table 33–20a.

There are five variants of Midspan PSEs defined with respect to transmission requirements:

- 1) 10BASE-T/100BASE-TX cord Midspan PSE
- 2) 1000BASE-T cord Midspan PSE
- 3) 2.5GBASE-T cord Midspan PSE
- 4) 5GBASE-T cord Midspan PSE
- 5) 10GBASE-T cord Midspan PSE

Insert Table 33-20a into 33.4.9.1a after the second paragraph:

Table 33–20a—Cord specifications for use with Midspan PSEs

Highest PHY rate supported	Cord specification	Frequency range
Up to 1000BASE-T	Category 5 cord in ISO/IEC 11801:2002 or ANSI/TIA-568-A:1995	1 MHz ≤ f ≤ 100 MHz
Up to 2.5GBASE-T	Category 5e cord in ISO/IEC 11801:2002 or ANSI/TIA-568-C.2	1 MHz ≤ f ≤ 100 MHz
Up to 5GBASE-T	Category 6 cord in ISO/IEC 11801:2002 or ANSI/TIA-568-C.2	1 MHz ≤ f ≤ 250 MHz
Up to 10GBASE-T	Category 6A cord in ISO/IEC 11801-1 or ANSI/TIA-568-C.2	1 MHz ≤ f ≤ 500 MHz

Insert the following new subclauses (33.4.9.1a.1, 33.4.9.1a.2, and 33.4.9.1b with its subclauses) after 33.4.9.1a:

33.4.9.1a.1 Maximum link delay

The propagation delay contribution of the Midspan PSE device shall not exceed 2.5 ns from 1 MHz to the highest referenced frequency.

33.4.9.1a.2 Maximum link delay skew

The propagation delay skew of the Midspan PSE device shall not exceed 1.25 ns from 1 MHz to the highest referenced frequency.

33.4.9.1b Coupling parameters between link segments

Midspan PSEs intended for operation with 2.5G/5G/10GBASE-T (variants 3 through 5 in 33.4.9.1 and 33.4.9.1a) are additionally required to meet the following parameters for coupling signals between ports relating to different link segments. Noise coupled between the disturbed duplex channel in a link segment and the disturbing duplex channels in other link segments is referred to as alien crosstalk noise. To bound the total alien NEXT loss and alien FEXT loss coupled between link segments, multiple disturber alien near-end crosstalk (MDANEXT) loss and multiple disturber alien FEXT (MDAFEXT) loss are specified.

33.4.9.1b.1 Multiple disturber power sum alien near-end crosstalk (PSANEXT) loss

PSANEXT loss for 2.5G/5G/10GBASE-T capable Midspan PSE devices shall meet or exceed the values determined using Equation (33–19a). For other than 5GBASE-T or 10GBASE-T operation, PSANEXT loss for Midspan PSE devices shall meet the values determined by Equation (33–19a) from 1 MHz to 100 MHz. For 5GBASE-T capable midspans, PSANEXT loss for Midspan PSE devices shall meet the values determined by Equation (33–19a) from 1 MHz to 250 MHz. For 10GBASE-T capable midspans, PSANEXT loss for Midspan PSE devices shall meet the values determined by Equation (33–19a) from 1 MHz to 500 MHz. When the computed PSANEXT value at a certain frequency exceeds 67 dB, the PSANEXT result at that frequency is for information only.

$$\text{PSANEXT Loss} = 70.5 - 20\log_{10}(f/100) \quad (33-19a)$$

33.4.9.1b.2 Multiple disturber power sum alien far-end crosstalk (PSAFEXT) loss

PSAFEXT loss for 2.5G/5G/10GBASE-T capable Midspan PSE devices shall meet or exceed the values determined using Equation (33–19b). For other than 5GBASE-T or 10GBASE-T operation, PSAFEXT loss for Midspan PSE devices shall meet the values determined by Equation (33–19b) from 1 MHz to 100 MHz. For 5GBASE-T capable midspans, PSAFEXT loss for Midspan PSE devices shall meet the values determined by Equation (33–19b) from 1 MHz to 250 MHz. For 10GBASE-T capable midspans, PSAFEXT loss for Midspan PSE devices shall meet the values determined by Equation (33–19b) from 1 MHz to 500 MHz. When the computed PSAFEXT value at a certain frequency exceeds 67 dB, the PSANEXT result at that frequency is for information only.

$$\text{PSAFEXT Loss} = 67 - 20\log_{10}(f/100) \quad (33-19b)$$

33.6 Data Link Layer classification**33.6.3 Power control state diagrams****33.6.3.3 Variables**

Change the second paragraph of the following definitions in 33.6.3.3 as shown:

MirroredPDRequestedPowerValue

The copy

Values: 0 through 255

MirroredPSEAllocatedPowerValue

The copy

Values: 0 through 255

PDRequestedPowerValueEcho

This variable

Values: 0 through 255

PDRequestedPowerValue

Integer that

Values: 0 through PD_DLLMAX_VALUE

PSEAllocatedPowerValue

Integer that

Values: 0 through 255

PSEAllocatedPowerValueEcho

This variable

Values: 0 through 255

Change the last paragraph of 33.6.3.3 as follows:

A summary cross-references between the ~~DTE Power via MDI~~ Power over Ethernet classification local and remote object class attributes and the PSE and PD power control state diagrams, including the direction of the mapping, is provided in [Table 33–23](#).

Change the title of 33.8 as follows:

33.8 Protocol implementation conformance statement (PICS) proforma for Clause 33, ~~DTE Power via MDI~~ Power over Ethernet over 2 Pairs⁴

33.8.1 Introduction

Change the first paragraph of 33.8.1 as follows:

The supplier of a protocol implementation that is claimed to conform to Clause 33, ~~DTE Power via MDI~~ Power over Ethernet over 2 Pairs, shall complete the following protocol implementation conformance statement (PICS) proforma.

33.8.2 Identification

33.8.2.2 Protocol summary

Change 33.3.8.2 as follows:

Identification of protocol standard	IEEE Std 802.3bt-2018, Clause 33, DTE Power via MDI <u>Power over Ethernet over 2 Pairs</u>
Identification of amendments and corrigenda to this PICS proforma that have been completed as part of this PICS	
Have any Exception items been required? No [] Yes [] (See Clause 21 ; the answer Yes means that the implementation does not conform to IEEE Std 802.3bt-2018.)	
Date of Statement	

⁴Copyright release for PICS proformas: Users of this standard may freely reproduce the PICS proforma in this subclause so that it can be used for its intended purpose and may further publish the completed PICS.

Change the title of 33.8.3 as follows:

33.8.3 PICS proforma tables for ~~DTE Power via MDI~~ Power over Ethernet over 2 Pairs

33.8.3.4 Electrical specifications applicable to the PSE and PD

Change the following table rows in 33.8.3.4 as shown (note that unchanged rows are not shown):

Item	Feature	Subclause	Value/Comment	Status	Support
EL13	Common-mode to differential-mode impedance balance for transmit and receive pairs	33.4.3	Exceeds Equation (33–15) for 10 Mb/s PHYs and Equation (33–16) for 100Mb/s or greater PHYs Exceeds value in Table 33–19a for all supported PHY speeds.	M	Yes []
EL14	Common-mode AC output voltage	33.4.4	Magnitude while transmitting data and with power applied does not exceed 50 mV peak when operating at 10 Mb/s and 50 mV peak to peak when operating at 100 Mb/s or greater Not to exceed the values in Table 33–19b	M	Yes []
EL15	Frequency range for common-mode AC output voltage measurement	33.4.4	From 1 MHz to 100 MHz	M	Yes []
EL17a	Coupled noise E_{d_out}	33.4.6	Not to exceed 10 mV peak-to-peak in the band from 1 MHz to 10 MHz	M	Yes []
EL17b	Coupled noise E_{d_out}	33.4.6	Not to exceed 10 mV peak-to-peak in the band from 10 MHz to 100 MHz (for 2.5GBASE-T), 10 MHz to 250 MHz (for 5GBASE-T), and 10 MHz to 500 MHz (for 10GBASE-T) under the conditions specified in 33.4.4.	M	Yes []

40. Physical Coding Sublayer (PCS), Physical Medium Attachment (PMA) sublayer and baseband medium, type 1000BASE-T

40.6 PMA electrical specifications

40.6.1 PMA-to-MDI interface tests

40.6.1.1 Isolation requirement

Change the first paragraph of 40.6.1.1 as follows:

A PHY with a MDI that is a PI (see 33.1.3) shall meet the isolation requirements defined in [33.4.1](#) or [145.4.1](#).

STANDARDSISO.COM : Click to view the full PDF of ISO/IEC/IEEE 8802-3:2021/Amd 2:2021

55. Physical Coding Sublayer (PCS), Physical Medium Attachment (PMA) sublayer and baseband medium, type 10GBASE-T

55.5 PMA electrical specifications

55.5.1 Isolation requirement

Change 55.5.1 as follows:

A PHY with a MDI that is a PI (see 33.1.3) shall meet the isolation requirements defined in 33.4.1 or 145.4.1.

~~The A PHY with a MDI that is not a PI shall provide electrical isolation between the port device circuits, including frame ground (if any) and all MDI leads. This electrical isolation shall withstand at least one of the following electrical strength tests:~~

- a) 1500 V rms at 50 Hz to 60 Hz for 60 s, applied as specified in Section 5.2.2 of IEC 60950-1:2001.
- b) 2250 V dc for 60 s, applied as specified in Section 5.2.2 of IEC 60950-1:2001.
- c) A sequence of ten 2400 V impulses of alternating polarity, applied at intervals of not less than 1 s. The shape of the impulses is 1.2/50 μ s (1.2 μ s virtual front time, 50 μ s virtual time or half value), as defined in Annex N of IEC 60950-1:2001.

~~There shall be no insulation breakdown, as defined in Section 5.2.2 of IEC 60950-1:2001, during the test. The resistance after the test shall be at least 2 M Ω , measured at 500 V dc.~~

79. IEEE 802.3 Organizationally Specific Link Layer Discovery Protocol (LLDP) type, length, and value (TLV) information elements

79.1 Overview

79.1.1 IEEE 802.3 LLDP frame format

79.1.1.3 Length/Type field

Change 79.1.1.3 as follows:

The Length/Type field of an IEEE 802.3 LLDP frame is a 2-octet field that contains ~~0x88CC, the hexadecimal value: 88-CC.~~ This value carries the Type interpretation (see 3.2.6), and has been universally assigned for LLDP.

79.3 IEEE 802.3 Organizationally Specific TLVs

Change Table 79-1 as follows:

Table 79–1—IEEE 802.3 Organizationally Specific TLVs

IEEE 802.3 subtype	TLV name	Subclause reference
1	MAC/PHY Configuration/Status	79.3.1
2	Power Via Medium Dependent Interface (MDI)	79.3.2
3	Link Aggregation (deprecated)	79.3.3
4	Maximum Frame Size	79.3.4
5	Energy-Efficient Ethernet	79.3.5
6	EEE fast wake	79.3.6
7	Additional Ethernet Capabilities	79.3.7
8	Power Via MDI Measurements	79.3.8
9-8 to 255	Reserved	—

79.3.2 Power Via MDI TLV

Change the text of 79.3.2 as follows:

Clause 33 and Clause 145 defines two optional power entities: a Powered Device (PD) and Power Sourcing Equipment (PSE). These entities allow devices to draw/supply power over the same generic cabling as used for data transmission. The Power Via MDI TLV allows network management to advertise and discover the Power over Ethernet MDI power support capabilities of the sending IEEE 802.3 LAN station. This TLV is also required to perform Data Link Layer classification as defined in 33.6 and 145.5. Figure 79–3 shows the format of this TLV.

The TLV shown in Figure 79–3 is a revision of the legacy Power via MDI TLV originally defined in IEEE Std 802.1AB-2016 Annex F.3. The legacy TLV had only the first three fields of the TLV shown in the figure. These three fields enable discovery and advertisement of MDI power support capabilities. The newly added fields provide Data Link Layer classification capabilities. The revised TLV can be used by the PSE only when it is supplying power to a PI encompassed within an MDI and by the PD only when it is drawing

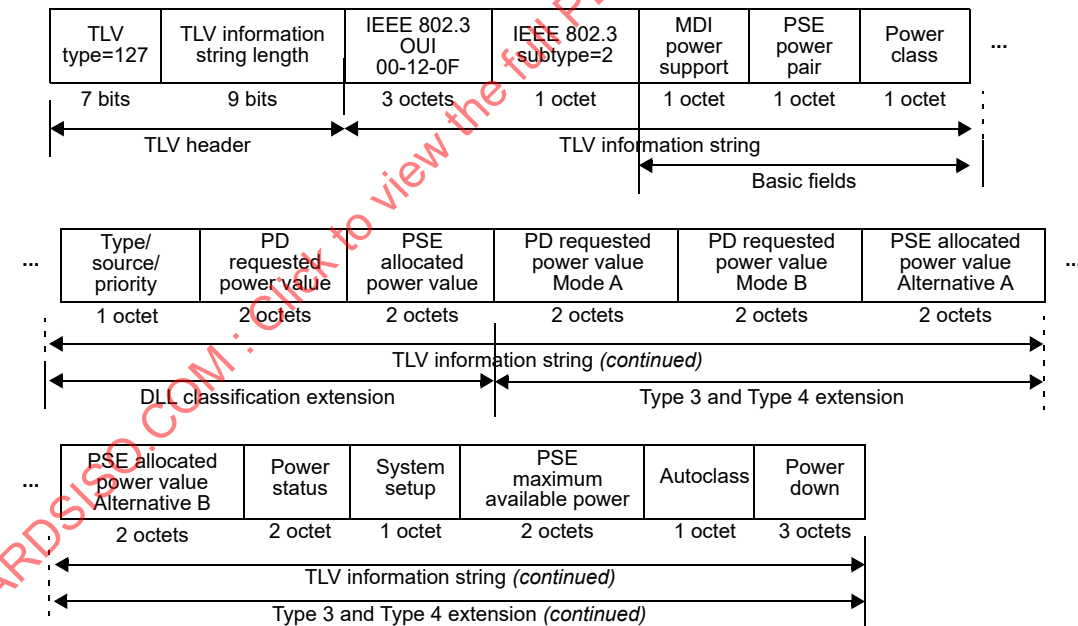
power from the PI. Power entities may continue to use the legacy TLV prior to supplying/drawing power to/from the PI. If the power entity implements Data Link Layer classification, it shall use the Power via MDI TLV shown in Figure 79-3 after the PI has been powered.

The Power via MDI TLV shown in Figure 79-3 was originally defined in IEEE Std 802.1AB-2005 Annex G.3. This original TLV supported only the first three fields of Figure 79-3, labeled basic fields, enabling discovery and advertisement of Power via MDI capabilities. The Power via MDI TLV was revised by IEEE Std 802.3at-2009 to add a further three fields, labeled DLL classification extension, to provide Data Link Layer (DLL) classification capabilities. The Power via MDI TLV was revised again by IEEE Std 802.3bt-2018 to add a further nine fields, labeled Type 3 and Type 4 extension, to support additional capabilities offered by Type 3 and Type 4 PSEs and PDs.

Power entities may continue to use the Power Via MDI TLV basic fields shown in Figure 79-3 prior to supplying/drawing power to/from the Power Interface (PI), as defined in 1.4.406. The DLL classification extension fields and Type 3 and Type 4 extension fields shown in Figure 79-3 shall not be sent by the PSE unless it is supplying power to a PI encompassed within an MDI and by the PD unless it is drawing power from the PI.

If a Type 1 or Type 2 power entity implements Data Link Layer classification, it shall support the Power Via MDI TLV DLL classification extension fields shown in Figure 79-3 after the PI has been powered. If a Type 3 or Type 4 power entity implements Data Link Layer classification, it shall support both the DLL classification extension fields and Type 3 and Type 4 extension fields shown in Figure 79-3 after the PI has been powered. Type 1 and Type 2 devices shall not include the Type 3 and Type 4 extension fields in the transmitted Power via MDI TLV.

Replace Figure 79-3 with the following:



The TLV information string length is

- Basic fields: 7 octets
- Basic fields and DLL classification extension: 12 octets
- Basic fields, DLL classification extension, and Type 3 and Type 4 extension: 29 octets

Figure 79-3—Power Via MDI TLV format

79.3.2.1 MDI power support

Change Table 79-3 as follows:

Table 79-3—MDI power capabilities/status support field

Bit	Function	Value/meaning	IETF RFC 3621 object reference
7:4	Reserved for future standardization	—	—
3	PSE pairs control ability	1 = pair selection can be controlled 0 = pair selection can not be controlled	pethPsePortPowerPairControlAbility
2	PSE MDI power state	1 = enabled 0 = disabled	pethPsePortAdminEnable
1	PSE MDI power support	1 = supported 0 = not supported	See Note 2 and Note 3
0	Port class	1 = PSE 0 = PD	See Note 1

NOTE 1—Port class information is implied by the support of the PSE or PD groups.
 NOTE 2—MDI power support information is implied by support of IETF RFC 3621.
 NOTE 3—If bit 1 is zero, bit 2 has no meaning.

Insert the following new subclauses, 79.3.2.1.1 through 79.3.2.1.4, after 79.3.2.1:

79.3.2.1.1 Port class

The ‘Port class’ field transmitted shall indicate if the port is a PSE or a PD.

79.3.2.1.2 PSE MDI power support

The ‘PSE MDI power support’ field transmitted by a PSE shall indicate if MDI power is supported. The value of the ‘PSE MDI power support’ field transmitted by a PD is undefined.

79.3.2.1.3 PSE MDI power state

The ‘PSE MDI power state’ field transmitted by a PSE shall indicate if the PSE function is enabled or disabled. When disabled all PSE functions are disabled and behavior is as if there was no PSE functionality. The value of the ‘PSE MDI power state’ field transmitted by a PD is undefined.

79.3.2.1.4 PSE pairs control ability

The ‘PSE pairs control ability’ field transmitted by a PSE shall indicate if the PSE has the capability to control which PSE Pinout Alternative (see 33.2.3 and 145.2.4) is used for PD detection and power. The value of the ‘PSE pairs control ability’ field transmitted by a PD is undefined.

79.3.2.2 PSE power pair

Change the text of 79.3.2.2 as follows:

The PSE power pair field shall contain an integer value as defined by the `pethPsePortPowerPairs` object in IETF RFC 3621.

The ‘PSE power pair’ field transmitted by a PSE shall contain an integer value as defined in Table 79–3a based on `aPSEPowerPairs` (see 30.9.1.1.4). A Type 3 or Type 4 PSE that is supplying power on a single pairset shall use the value that defines that pairset. Either pairset may be indicated when a PSE is detecting or supplying power on both pairsets. The ‘PSE power status value’ field defined in 79.3.2.6c indicates when a PSE is supplying power on both pairsets. The value of the ‘PSE power pair’ field transmitted by a PD is undefined.

Insert Table 79-3a at the end of 79.3.2.2:

Table 79–3a—PSE power pair field

Value	Meaning	Alternative
1	signal	Alternative A
2	spare	Alternative B

79.3.2.3 Power class

Change the text of 79.3.2.3 as follows:

The power class field shall contain an integer value as defined by the `pethPsePortPowerClassifications` object in IETF RFC 3621.

The ‘Power class’ field transmitted by a PSE shall contain an integer value as defined in Table 79–3b based on `aPSEPowerClassification` (see 30.9.1.1.6). Class 4 and above is indicated with the same value in this field. Class 5 and above is communicated by the ‘Power Class ext’ field defined in 79.3.2.6c.6. The ‘Power class’ field transmitted by a PD is undefined.

Insert Table 79-3b at the end of 79.3.2.3:

Table 79–3b—Power class field

Value	Meaning
1	Class 0 PD
2	Class 1 PD
3	Class 2 PD
4	Class 3 PD
5	Class 4 and above PD

Change 79.3.2.4 as follows:

79.3.2.4 Requested pPower type/source/priority

The ~~power~~ 'Power type/source/priority' field shall contain a bit-map of the Power type, source, and priority defined in Table 79-4 and is reported for the device generating the TLV.

Table 79-4—Power type/source/priority field

Bit	Function	Value/meaning
7:6	pPower type	$\begin{matrix} \underline{7} & \underline{6} \\ 1 & 1 = \text{Type 1 PD} \\ 1 & 0 = \text{Type 1 PSE} \\ 0 & 1 = \text{Type 2 PD} \\ 0 & 0 = \text{Type 2 PSE} \end{matrix}$
5:4	pPower source	Where pPower type = PD $\begin{matrix} \underline{5} & \underline{4} \\ 1 & 1 = \text{PSE and local} \\ 1 & 0 = \text{Reserved} \\ 0 & 1 = \text{PSE} \\ 0 & 0 = \text{Unknown} \end{matrix}$ Where pPower type = PSE $\begin{matrix} \underline{5} & \underline{4} \\ 1 & 1 = \text{Reserved} \\ 1 & 0 = \text{Backup source} \\ 0 & 1 = \text{Primary power source} \\ 0 & 0 = \text{Unknown} \end{matrix}$
3:2	Reserved	Transmit as zero, ignore on receive
2	PD 4PID	$\begin{matrix} 1 = \text{PD supports powering of both Modes simultaneously} \\ 0 = \text{PD does not support powering of both Modes simultaneously} \end{matrix}$
1:0	pPower priority	$\begin{matrix} \underline{1} & \underline{0} \\ 1 & 1 = \text{low} \\ 1 & 0 = \text{high} \\ 0 & 1 = \text{critical} \\ 0 & 0 = \text{unknown (default)} \end{matrix}$

79.3.2.4.1 Power type

Change 79.3.2.4.1 as follows:

This field shall be set according to Table 79-4. Type 3 or Type 4 PSEs shall set this field to the value corresponding with Type 2 PSEs. Type 3 or Type 4 PDs shall set this field to the value corresponding with Type 2 PDs.

Insert the following new subclause, 79.3.2.4.2a, after 79.3.2.4.2:

79.3.2.4.2a PD 4PID

This field shall be set according to Table 79-4 when the Power type is PD to indicate whether the PD supports powering of both Modes simultaneously. This field shall be set to '0' when the Power type is PSE.

79.3.2.5 PD requested power value

Change 79.3.2.5 as follows:

The ‘PD requested power value’ field shall contain the PD’s requested power value defined in Table 79–5. See 33.6.3.3 and Table 145–42 for permitted value ranges.

Table 79–5—PD requested power value field

Bit	Function	Value/meaning
15:0	PD requested power value	Power = 0.1 × (decimal value of bits) Watts. Power expressed in units of 0.1 W. Valid values for these bits are decimal 10 through 255 999.

The PD requested power value is encoded according to Equation (79–1).

$$Power = \{0.1 \times X\}_W \tag{79-1}$$

where

- Power* is the effective requested PD power value
- X* is the decimal value of the power value field, bits 15:0

“PD requested power value” is the maximum input average power (see 33.3.7.2 and 145.3.8.2) the PD wants to draw is requesting. “PD requested power value” is the power value at the input to the PD’s PI. A value higher than 713 requires the PSE to support a power level higher than P_{Class_PD} at the PD PI. See 145.2.8 and 145.3.8.2.

79.3.2.6 PSE allocated power value

Change 79.3.2.6 as follows:

The ‘PSE allocated power value’ field shall contain the PSE’s allocated power value defined in Table 79–6. See 33.6.3.3 and Table 145–41 for permitted value ranges.

Table 79–6—PSE allocated power value field

Bit	Function	Value/meaning
15:0	PSE allocated power value	Power = 0.1 × (decimal value of bits) Watts. Power expressed in units of 0.1 W. Valid values for these bits are decimal 10 through 255 999.

The PSE allocated power value is encoded according to Equation (79–2).

$$Power = \{0.1 \times X\}_W \tag{79-2}$$

where

- Power* is the effective allocated PSE power value
- X* is the decimal value of the power value field, bits 15:0

“PSE allocated power value” is the maximum input average power (see 33.3.7.2 and 145.3.8.2) the PSE expects the PD to draw. “PSE allocated power value” is the power at the input to the PD’s PI. The PSE uses this value to compute P_{Class} defined in 33.2.6 and 145.2.8. A value higher than 713 indicates that the PSE is capable of supporting a power level beyond P_{Class_PD} at the PD PI. This may require an output power level higher than P_{Type_min} . See 145.2.8.

Insert the following new subclauses, 79.3.2.6a through 79.3.2.6g with their subclauses, after 79.3.2.6:

79.3.2.6a Dual-signature PD requested power value for Mode A and Mode B

The ‘PD requested power value Mode A’ field and ‘PD requested power value Mode B’ field shall contain the PD requested power value defined in Table 79–6a for Mode A and in Table 79–6b for Mode B of a dual-signature PD.

Table 79–6a—PD requested power value Mode A field

Bit	Function	Value/meaning
15:0	Dual-signature PD requested power value for Mode A	Power expressed in units of 0.1 W. Valid values for these bits are decimal 0 through 499.

Table 79–6b—PD requested power value Mode B field

Bit	Function	Value/meaning
15:0	Dual-signature PD requested power value for Mode B	Power expressed in units of 0.1 W. Valid values for these bits are decimal 0 through 499.

The ‘PD requested power value Mode A’ field and ‘PD requested power value Mode B’ field are the maximum input average power levels (see 145.3.8.2) the PD is requesting for the respective Mode.

79.3.2.6b PSE allocated power value Alternative A and Alternative B

The ‘PSE allocated power value Alternative A’ field and the ‘PSE allocated power value Alternative B’ field shall contain the values in Table 79–6c and Table 79–6d for Type 3 and Type 4 PSEs operating over both pairsets when connected to a dual-signature PD.

Table 79–6c—PSE allocated power value Alternative A field

Bit	Function	Value/meaning
15:0	PSE allocated power value for Alternative A	Power expressed in units of 0.1 W. Valid values for these bits are decimal 0 through 499.

Table 79–6d—PSE allocated power value Alternative B field

Bit	Function	Value/meaning
15:0	PSE allocated power value for Alternative B	Power expressed in units of 0.1 W. Valid values for these bits are decimal 0 through 499.

The ‘PSE allocated power value Alternative A’ and ‘PSE allocated power value Alternative B’ fields are the maximum input average power levels (see 145.3.8.2) the PSE expects the dual-signature PD to draw on the respective Alternatives when the PSE provides power over 4-pair. These fields are the power levels at the dual-signature PD PI. The PSE uses these values to compute $P_{\text{Class-2P}}$ as defined in 145.2.8.

79.3.2.6c Power status

The ‘Power status’ field contains the PSE's bit-map of the PSE power pair and PSE or PD power class, defined in Table 79–6e, and is reported for the device generating the TLV.

Table 79–6e—Power status field

Bit	Function	Value/meaning																																				
15:14	PSE powering status	<table border="0"> <tr> <td><u>15</u></td> <td><u>14</u></td> <td></td> </tr> <tr> <td>1</td> <td>1</td> <td>= 4-pair powering dual-signature PD</td> </tr> <tr> <td>1</td> <td>0</td> <td>= 4-pair powering single-signature PD</td> </tr> <tr> <td>0</td> <td>1</td> <td>= 2-pair powering</td> </tr> <tr> <td>0</td> <td>0</td> <td>= Reserved/Ignore</td> </tr> </table>	<u>15</u>	<u>14</u>		1	1	= 4-pair powering dual-signature PD	1	0	= 4-pair powering single-signature PD	0	1	= 2-pair powering	0	0	= Reserved/Ignore																					
<u>15</u>	<u>14</u>																																					
1	1	= 4-pair powering dual-signature PD																																				
1	0	= 4-pair powering single-signature PD																																				
0	1	= 2-pair powering																																				
0	0	= Reserved/Ignore																																				
13:12	PD powered status	<table border="0"> <tr> <td><u>13</u></td> <td><u>12</u></td> <td></td> </tr> <tr> <td>1</td> <td>1</td> <td>= 4-pair powered dual-signature PD</td> </tr> <tr> <td>1</td> <td>0</td> <td>= 2-pair powered dual-signature PD</td> </tr> <tr> <td>0</td> <td>1</td> <td>= Powered single-signature PD</td> </tr> <tr> <td>0</td> <td>0</td> <td>= Reserved/Ignore</td> </tr> </table>	<u>13</u>	<u>12</u>		1	1	= 4-pair powered dual-signature PD	1	0	= 2-pair powered dual-signature PD	0	1	= Powered single-signature PD	0	0	= Reserved/Ignore																					
<u>13</u>	<u>12</u>																																					
1	1	= 4-pair powered dual-signature PD																																				
1	0	= 2-pair powered dual-signature PD																																				
0	1	= Powered single-signature PD																																				
0	0	= Reserved/Ignore																																				
11:10	PSE power pairs ext	<table border="0"> <tr> <td><u>11</u></td> <td><u>10</u></td> <td></td> </tr> <tr> <td>1</td> <td>1</td> <td>= Both Alternatives</td> </tr> <tr> <td>1</td> <td>0</td> <td>= Alternative B</td> </tr> <tr> <td>0</td> <td>1</td> <td>= Alternative A</td> </tr> <tr> <td>0</td> <td>0</td> <td>= Reserved/Ignore</td> </tr> </table>	<u>11</u>	<u>10</u>		1	1	= Both Alternatives	1	0	= Alternative B	0	1	= Alternative A	0	0	= Reserved/Ignore																					
<u>11</u>	<u>10</u>																																					
1	1	= Both Alternatives																																				
1	0	= Alternative B																																				
0	1	= Alternative A																																				
0	0	= Reserved/Ignore																																				
9:7	Dual-signature power Class ext Mode A	<table border="0"> <tr> <td><u>9</u></td> <td><u>8</u></td> <td><u>7</u></td> <td></td> </tr> <tr> <td>1</td> <td>1</td> <td>1</td> <td>= Single-signature PD or 2-pair only PSE</td> </tr> <tr> <td>1</td> <td>1</td> <td>0</td> <td>= Reserved/Ignore</td> </tr> <tr> <td>1</td> <td>0</td> <td>1</td> <td>= Class 5</td> </tr> <tr> <td>1</td> <td>0</td> <td>0</td> <td>= Class 4</td> </tr> <tr> <td>0</td> <td>1</td> <td>1</td> <td>= Class 3</td> </tr> <tr> <td>0</td> <td>1</td> <td>0</td> <td>= Class 2</td> </tr> <tr> <td>0</td> <td>0</td> <td>1</td> <td>= Class 1</td> </tr> <tr> <td>0</td> <td>0</td> <td>0</td> <td>= Reserved/Ignore</td> </tr> </table>	<u>9</u>	<u>8</u>	<u>7</u>		1	1	1	= Single-signature PD or 2-pair only PSE	1	1	0	= Reserved/Ignore	1	0	1	= Class 5	1	0	0	= Class 4	0	1	1	= Class 3	0	1	0	= Class 2	0	0	1	= Class 1	0	0	0	= Reserved/Ignore
<u>9</u>	<u>8</u>	<u>7</u>																																				
1	1	1	= Single-signature PD or 2-pair only PSE																																			
1	1	0	= Reserved/Ignore																																			
1	0	1	= Class 5																																			
1	0	0	= Class 4																																			
0	1	1	= Class 3																																			
0	1	0	= Class 2																																			
0	0	1	= Class 1																																			
0	0	0	= Reserved/Ignore																																			
6:4	Dual-signature power Class ext Mode B	<table border="0"> <tr> <td><u>6</u></td> <td><u>5</u></td> <td><u>4</u></td> <td></td> </tr> <tr> <td>1</td> <td>1</td> <td>1</td> <td>= Single-signature PD or 2-pair only PSE</td> </tr> <tr> <td>1</td> <td>1</td> <td>0</td> <td>= Reserved/Ignore</td> </tr> <tr> <td>1</td> <td>0</td> <td>1</td> <td>= Class 5</td> </tr> <tr> <td>1</td> <td>0</td> <td>0</td> <td>= Class 4</td> </tr> <tr> <td>0</td> <td>1</td> <td>1</td> <td>= Class 3</td> </tr> <tr> <td>0</td> <td>1</td> <td>0</td> <td>= Class 2</td> </tr> <tr> <td>0</td> <td>0</td> <td>1</td> <td>= Class 1</td> </tr> <tr> <td>0</td> <td>0</td> <td>0</td> <td>= Reserved/Ignore</td> </tr> </table>	<u>6</u>	<u>5</u>	<u>4</u>		1	1	1	= Single-signature PD or 2-pair only PSE	1	1	0	= Reserved/Ignore	1	0	1	= Class 5	1	0	0	= Class 4	0	1	1	= Class 3	0	1	0	= Class 2	0	0	1	= Class 1	0	0	0	= Reserved/Ignore
<u>6</u>	<u>5</u>	<u>4</u>																																				
1	1	1	= Single-signature PD or 2-pair only PSE																																			
1	1	0	= Reserved/Ignore																																			
1	0	1	= Class 5																																			
1	0	0	= Class 4																																			
0	1	1	= Class 3																																			
0	1	0	= Class 2																																			
0	0	1	= Class 1																																			
0	0	0	= Reserved/Ignore																																			

Table 79–6e—Power status field (continued)

Bit	Function	Value/meaning
3:0	Power Class ext	$\bar{3}$ $\bar{2}$ $\bar{1}$ $\bar{0}$
		1 1 1 1 = Dual-signature PD
		1 1 1 0 = Reserved/Ignore
		1 1 0 1 = Reserved/Ignore
		1 1 0 0 = Reserved/Ignore
		1 0 1 1 = Reserved/Ignore
		1 0 1 0 = Reserved/Ignore
		1 0 0 1 = Reserved/Ignore
		1 0 0 0 = Class 8
		0 1 1 1 = Class 7
		0 1 1 0 = Class 6
		0 1 0 1 = Class 5
		0 1 0 0 = Class 4
		0 0 1 1 = Class 3
		0 0 1 0 = Class 2
		0 0 0 1 = Class 1
0 0 0 0 = Reserved/Ignore		

79.3.2.6c.1 PSE powering status

The ‘PSE powering status’ field is used to indicate the existing powering configuration as shown in Table 145–41 and thus to indicate that the PSE is using the ‘PSE allocated power value’ field or is using the ‘PSE allocated power value Alternative A’ field and ‘PSE allocated power value Alternative B’ field as specified in Table 79–6c and Table 79–6d. A PSE shall set this field according to the current powering status as defined in Table 79–6e. A PD shall set the field to 0.

79.3.2.6c.2 PD powered status

The ‘PD powered status’ field is used to indicate the existing powered configuration of the PD as shown in Table 145–42 and thus to indicate that the PD is using the ‘PD requested power value’ field or is using the ‘PD requested power value Mode A’ field and the ‘PD requested power value Mode B’ field as specified in Table 79–6a and Table 79–6b. A PD shall set this field according to its signature configuration and the current powering status as defined in Table 79–6e. A PSE shall set the field to 0.

79.3.2.6c.3 PSE power pairs ext

The ‘PSE power pairs ext’ field shall contain the powering status of the PSE, as defined in Table 79–6e. A PD shall set the field to 0.

79.3.2.6c.4 Dual-signature power Class ext Mode A

A single-signature PD shall set this field to value 7. A dual-signature PD shall set this field per its requested Class on Mode A defined in 145.3.6. A 2-pair only PSE or a PSE connected to a single-signature PD shall set this field to value 7. A PSE connected to a dual-signature PD shall set this field to the PSEs assigned Class for Alternative A as defined in 145.2.8.

79.3.2.6c.5 Dual-signature power Class ext Mode B

A single-signature PD shall set this field to value 7. A dual-signature PD shall set this field per its requested Class on Mode B defined in 145.3.6. A 2-pair only PSE or a PSE connected to a single-signature PD shall set this field to value 7. A PSE connected to a dual-signature PD shall set this field to the PSEs assigned Class for Alternative B as defined in 145.2.8.

79.3.2.6c.6 Power Class ext

A single-signature PD shall set this field per its requested Class as defined in 145.3.6. A dual-signature PD shall set this field to value 15. A 2-pair only PSE or a PSE connected to a single-signature PD shall set this field to the PSEs assigned Class as defined in 145.2.8. A PSE connected to a dual-signature PD shall set this field to value 15.

79.3.2.6d System setup

The ‘System setup’ field shall contain the device bit-map of the Power Type ext and PD Load defined in Table 79–6f and is reported for the device generating the TLV.

Table 79–6f—System setup field

Bit	Function	Value/meaning																																
7:4	Reserved	Transmit as zero. Ignore on receive.																																
3:1	Power Type ext	<table style="border: none;"> <tr> <td style="padding-right: 10px;">$\frac{3}{1}$</td> <td style="padding-right: 10px;">$\frac{2}{1}$</td> <td style="padding-right: 10px;">$\frac{1}{1}$</td> <td style="padding-right: 10px;">= Reserved / ignore</td> </tr> <tr> <td style="padding-right: 10px;">1</td> <td style="padding-right: 10px;">1</td> <td style="padding-right: 10px;">0</td> <td style="padding-right: 10px;">= Reserved / ignore</td> </tr> <tr> <td style="padding-right: 10px;">1</td> <td style="padding-right: 10px;">0</td> <td style="padding-right: 10px;">1</td> <td style="padding-right: 10px;">= Type 4 dual-signature PD</td> </tr> <tr> <td style="padding-right: 10px;">1</td> <td style="padding-right: 10px;">0</td> <td style="padding-right: 10px;">0</td> <td style="padding-right: 10px;">= Type 4 single-signature PD</td> </tr> <tr> <td style="padding-right: 10px;">0</td> <td style="padding-right: 10px;">1</td> <td style="padding-right: 10px;">1</td> <td style="padding-right: 10px;">= Type 3 dual-signature PD</td> </tr> <tr> <td style="padding-right: 10px;">0</td> <td style="padding-right: 10px;">1</td> <td style="padding-right: 10px;">0</td> <td style="padding-right: 10px;">= Type 3 single-signature PD</td> </tr> <tr> <td style="padding-right: 10px;">0</td> <td style="padding-right: 10px;">0</td> <td style="padding-right: 10px;">1</td> <td style="padding-right: 10px;">= Type 4 PSE</td> </tr> <tr> <td style="padding-right: 10px;">0</td> <td style="padding-right: 10px;">0</td> <td style="padding-right: 10px;">0</td> <td style="padding-right: 10px;">= Type 3 PSE</td> </tr> </table>	$\frac{3}{1}$	$\frac{2}{1}$	$\frac{1}{1}$	= Reserved / ignore	1	1	0	= Reserved / ignore	1	0	1	= Type 4 dual-signature PD	1	0	0	= Type 4 single-signature PD	0	1	1	= Type 3 dual-signature PD	0	1	0	= Type 3 single-signature PD	0	0	1	= Type 4 PSE	0	0	0	= Type 3 PSE
$\frac{3}{1}$	$\frac{2}{1}$	$\frac{1}{1}$	= Reserved / ignore																															
1	1	0	= Reserved / ignore																															
1	0	1	= Type 4 dual-signature PD																															
1	0	0	= Type 4 single-signature PD																															
0	1	1	= Type 3 dual-signature PD																															
0	1	0	= Type 3 single-signature PD																															
0	0	1	= Type 4 PSE																															
0	0	0	= Type 3 PSE																															
0	PD Load	1 = PD is dual-signature and power demand on Mode A and Mode B are electrically isolated. 0 = PD is single-signature or dual-signature and power demand on Mode A and Mode B are not electrically isolated.																																

79.3.2.6d.1 Power Type ext

This field shall be set according to Table 79–6f.

79.3.2.6d.2 PD Load

This field shall be set according to Table 79–6f when the Power type is PD. This field shall be set to 0 when the Power type is PSE. See 145.4.1 for details.

79.3.2.6e PSE maximum available power value

The ‘PSE maximum available power value’ field shall contain the highest power the PSE can grant as defined in Table 79–6g. The PSE sets the value of this field taking available power budget and hardware capabilities into account. When connected to a dual-signature PD this value refers to the total amount of

power available at the PI, even though power is allocated separately on a per pairset basis. A PD shall set this field to 0.

Table 79–6g—PSE maximum available power value field

Bit	Function	Value/meaning
15:0	PSE maximum available power value	Power expressed in units of 0.1 W. Valid values for these bits are 1 through 999.

79.3.2.6f Autoclass

The ‘Autoclass’ field shall contain the bits defined in Table 79–6h to control Autoclass. See 145.2.8.2 and 145.3.6.2 for details on Autoclass. Using the ‘Autoclass’ field to trigger a new Autoclass measurement allows a PD to change maximum power consumption.

Table 79–6h—Autoclass field

Bit	Function	Value/meaning
7:3	Reserved	Transmit as zero. Ignore on receive.
2	PSE Autoclass support	1 = PSE supports Autoclass 0 = PSE does not support Autoclass
1	Autoclass completed	1 = Autoclass measurement completed 0 = Autoclass idle
0	Autoclass request	1 = PD requests Autoclass measurement 0 = Autoclass idle

79.3.2.6f.1 PSE Autoclass support

When the Power type is PSE, this field shall be set to indicate if the PSE supports Autoclass over DLL according to Table 79–6h. When the Power type is PD, this field shall be set to 0.

79.3.2.6f.2 Autoclass completed

When the Power type is PSE, this field shall be set to indicate that the PSE has concluded the Autoclass measurement. This happens after a request for Autoclass is made by the PD using the ‘Autoclass request’ field defined in Table 79–6h. When the Power type is PD, this field shall be set to 0.

79.3.2.6f.3 Autoclass request

When the Power type is PD, this field may be set to 1 to request a Autoclass measurement by the PSE. The PD sets this field when it is in a state where it consumes its maximum amount of power. In all other cases, the PD sets this field to 0. When the Power type is PSE, this field shall be set to 0.

79.3.2.6g Power down

The ‘Power down’ field shall contain the bits defined in Table 79–6i. The ‘Power down’ field allows the PD to request power delivery to be terminated, either indefinitely or for a certain period of time.

Table 79–6i—Power down field

Bit	Function	Value/meaning
23:18	Power down request	Value = 0x1D requests a power down. Any other value is ignored.
17:0	Power down time	The amount of time in seconds the PD requests to be unpowered. A value of zero means to remain unpowered indefinitely. Valid values are 0 through 262143.

79.3.2.6g.1 Power down request

When the Power type is PD, this field may be set to 0x1D to indicate a request for power down. If power is to be maintained, the field shall be set to 0. When the Power type is PSE, this field shall be set to 0.

79.3.2.6g.2 Power down time

This field controls the amount of time in seconds the PD is requesting to be unpowered. When the Power type is PD, this field shall be set per the description in Table 79–6i. When the Power type is PSE, this field shall be set to 0.

Insert the following new subclause, 79.3.8 with its subclauses, after 79.3.7.2:

79.3.8 Power via MDI Measurements TLV

Clause 33 and Clause 145 define two optional power entities: a Powered Device (PD) and Power Sourcing Equipment (PSE). These entities allow devices to draw/supply power over the same generic cabling as used for data transmission. The Power Via MDI Measurement TLV allows network management to read electrical measurement data from the sending IEEE 802.3 LAN station. Figure 79–9 shows the format of this TLV.

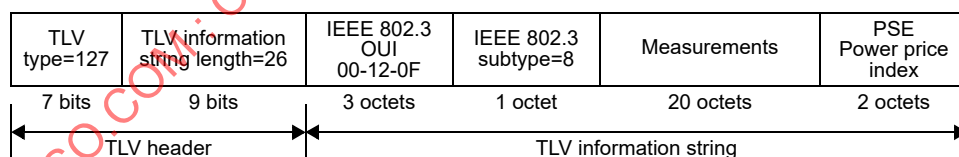


Figure 79–9—Power Via MDI Measurements TLV format for Type 3 and Type 4

79.3.8.1 Measurements

This field shall be set according to Table 79–8a.

The ‘Voltage measurement’ field carries the measured voltage value at the PI, the ‘Current measurement’ field carries the measured current value at the PI, the ‘Power measurement’ field carries the measured power value at the PI, and the ‘Energy measurement’ field carries the measured energy consumption value at the PI, as defined in Table 79–8a.

Measurement values (voltage, current, power, or energy) shall be set to 0 in case the corresponding request bit is 0. If a device does not support a particular measurement, the corresponding measurement value shall be set to 0.

Table 79–8a—Measurements

Bit	Function	Value/meaning															
159	Voltage support	1 = Device supports voltage measurement 0 = Device does not support voltage measurement															
158	Current support	1 = Device supports current measurement 0 = Device does not support current measurement															
157	Power support	1 = Device supports power measurement 0 = Device does not support power measurement															
156	Energy support	1 = Device supports energy measurement 0 = Device does not support energy measurement															
155:154	Reserved																
153:152	Measurement source	Determine where the measurement is to be taken. <table style="margin-left: 20px;"> <tr> <td><u>153</u></td> <td><u>152</u></td> <td></td> </tr> <tr> <td>0</td> <td>0</td> <td>No request</td> </tr> <tr> <td>0</td> <td>1</td> <td>Pairset Alternative A / Mode A</td> </tr> <tr> <td>1</td> <td>0</td> <td>Pairset Alternative B / Mode B</td> </tr> <tr> <td>1</td> <td>1</td> <td>Port total</td> </tr> </table>	<u>153</u>	<u>152</u>		0	0	No request	0	1	Pairset Alternative A / Mode A	1	0	Pairset Alternative B / Mode B	1	1	Port total
<u>153</u>	<u>152</u>																
0	0	No request															
0	1	Pairset Alternative A / Mode A															
1	0	Pairset Alternative B / Mode B															
1	1	Port total															
151	Voltage request	1 = Request for voltage measurement 0 = No request for voltage measurement															
150	Current request	1 = Request for current measurement 0 = No request for current measurement															
149	Power request	1 = Request for power measurement 0 = No request for power measurement															
148	Energy request	1 = Request for energy measurement 0 = No request for energy measurement															
147	Voltage measurement valid	1 = Voltage measurement field contains valid data 0 = Voltage measurement disabled															
146	Current measurement valid	1 = Current measurement field contains valid data 0 = Current measurement disabled															
145	Power measurement valid	1 = Power measurement field contains valid data 0 = Power measurement disabled															
144	Energy measurement valid	1 = Energy measurement field contains valid data 0 = Energy measurement disabled															
143:128	Voltage uncertainty	Expanded uncertainty (coverage factor $k = 2$) for the voltage measurement, expressed in units of 1 mV. Valid values are 1 through 65000.															
127:112	Current uncertainty	Expanded uncertainty (coverage factor $k = 2$) for the current measurement, expressed in units of 0.1 mA. Valid values are 1 through 65000.															

Table 79–8a—Measurements (continued)

Bit	Function	Value/meaning
111:96	Power uncertainty	Expanded uncertainty (coverage factor $k = 2$) for the power measurement, expressed in units of 10 mW. Valid values are 1 through 65000.
95:80	Energy uncertainty	Expanded uncertainty (coverage factor $k = 2$) for the energy measurement, expressed in units of 0.1 kJ. Valid values are 1 through 65000.
79:64	Voltage measurement	$V_{\text{Port_PD-2P}}$ expressed in units of 1 mV. When the Measurement source is set to 'Port total' this field contains the measurement of the pairset with the highest voltage. Valid values are 0 through 65000 ^a .
63:48	Current measurement	I_{Port} or $I_{\text{Port-2P}}$ expressed in units of 0.1 mA. Valid values are 0 through 20000.
47:32	Power measurement	Power sourced or drawn expressed in units of 10 mW. Valid values are 0 through 10000.
31:0	Energy measurement	Energy consumed at the port or pairset expressed in units of 0.1 kJ since power on. Valid values are 0 through 4294967295.

^a The valid range of this field extends beyond the allowed operating range of $V_{\text{Port_PD-2P}}$; see 33.3.8.1 and 145.3.8.1.

79.3.8.2 PSE power price index

The 'PSE power price index' field shall contain an index of the current price of electricity compared to what the PSE considers the nominal electricity price. The determination of the nominal electricity price is implementation dependent. The field is encoded as defined in Equation (79–1). The PSE sets the value of this field taking the availability of power from any external and internal resources, and the relative supply and demand balance, into account. A value of 0xFFFF means that no power price index is available.

$$K_{\text{PPI}} = \left(\frac{(\text{Power price index} + 10046) \times 2.512}{75046} \right)^5 \quad (79-1)$$

where

K_{PPI} is the power price index expressed as a factor ranging from 0.0004 to 100 times the nominal price
Power price index is the value of the 'Power price index' field defined in Table 79–8b

Table 79–8b—Power price index

Bit	Function	Value/meaning
15:0	Power price index	Valid values for these bits are decimal 0 through 65000, and hexadecimal value 0xFFFF.

79.3.8.3 Power Via MDI Measurements TLV usage rules

An LLDPDU should contain no more than one Power Via MDI Measurements TLV.

79.4 IEEE 802.3 Organizationally Specific TLV selection management

79.4.2 IEEE 802.3 Organizationally Specific TLV/LLDP Local and Remote System group managed object class cross references

Insert the following new rows into Table 79-10 at the end of the “Power via MDI” TLV name group:

Table 79–10—IEEE 802.3 Organizationally Specific TLV/LLDP Local System Group managed object class cross references

TLV name	TLV variable	LLDP Local System Group managed object class attribute
Power via MDI	PD requested power value Mode A	aLldpXdot3LocPDRequestedPowerValueA
	PD requested power value Mode B	aLldpXdot3LocPDRequestedPowerValueB
	PSE allocated power value Alternative A	aLldpXdot3LocPSEAllocatedPowerValueA
	PSE allocated power value Alternative B	aLldpXdot3LocPSEAllocatedPowerValueB
	PSE powering status	aLldpXdot3LocPSEPoweringStatus
	PD powered status	aLldpXdot3LocPDPoweredStatus
	PSE power pairs ext	aLldpXdot3LocPowerPairsExt
	Dual-signature power Class ext Mode A	aLldpXdot3LocPowerClassExtA
	Dual-signature power Class ext Mode B	aLldpXdot3LocPowerClassExtB
	Power class ext	aLldpXdot3LocPowerClassExt
	Power Type ext	aLldpXdot3LocPowerTypeExt
	PD 4PID	aLldpXdot3LocPD4PID
	PD Load	aLldpXdot3LocPDLoad
	PSE maximum available power value	aLldpXdot3LocPSEMaxAvailPower
	PSE Autoclass support	aLldpXdot3LocPSEAutoclassSupport
	Autoclass completed	aLldpXdot3LocAutoclassCompleted
	Autoclass request	aLldpXdot3LocAutoclassRequest
	Power down request	aLldpXdot3LocPowerDownRequest
Power down time	aLldpXdot3LocPowerDownTime	

Insert the following new TLV name group into Table 79-10 after the “Power via MDI” TLV name group (and before the “Link Aggregation (deprecated)” row):

Table 79–10—IEEE 802.3 Organizationally Specific TLV/LLDP Local System Group managed object class cross references (continued)

TLV name	TLV variable	LLDP Local System Group managed object class attribute
Power via MDI Measurements	Voltage support	aLldpXdot3LocMeasVoltageSupport
	Current support	aLldpXdot3LocMeasCurrentSupport
	Power support	aLldpXdot3LocMeasPowerSupport
	Energy support	aLldpXdot3LocMeasEnergySupport
	Measurement source	aLldpXdot3LocMeasurementSource
	Voltage request	aLldpXdot3LocMeasVoltageRequest
	Current request	aLldpXdot3LocMeasCurrentRequest
	Power request	aLldpXdot3LocMeasPowerRequest
	Energy request	aLldpXdot3LocMeasEnergyRequest
	Voltage measurement valid	aLldpXdot3LocMeasVoltageValid
	Current measurement valid	aLldpXdot3LocMeasCurrentValid
	Power measurement valid	aLldpXdot3LocMeasPowerValid
	Energy measurement valid	aLldpXdot3LocMeasEnergyValid
	Voltage uncertainty	aLldpXdot3LocMeasVoltageUncertainty
	Current uncertainty	aLldpXdot3LocMeasCurrentUncertainty
	Power uncertainty	aLldpXdot3LocMeasPowerUncertainty
	Energy uncertainty	aLldpXdot3LocMeasEnergyUncertainty
	Voltage measurement	aLldpXdot3LocVoltageMeasurement
	Current measurement	aLldpXdot3LocCurrentMeasurement
	Power measurement	aLldpXdot3LocPowerMeasurement
Energy measurement	aLldpXdot3LocEnergyMeasurement	
PSE Power price index	aLldpXdot3LocPSEPowerPriceIndex	

Insert the following new rows into Table 79-11 at the end of the “Power via MDI” TLV name group:

Table 79–11—IEEE 802.3 Organizationally Specific TLV/LLDP Remote System Group managed object class cross references

TLV name	TLV variable	LLDP Remote System Group managed object class attribute
Power via MDI	PD requested power value Mode A	aLldpXdot3RemPDRemRequestedPowerValueA
	PD requested power value Mode B	aLldpXdot3RemPDRemRequestedPowerValueB
	PSE allocated power value Alternative A	aLldpXdot3RemPSEAllocatedPowerValueA
	PSE allocated power value Alternative B	aLldpXdot3RemPSEAllocatedPowerValueB
	PSE powering status	aLldpXdot3RemPSEPoweringStatus
	PD powered status	aLldpXdot3RemPDPoweredStatus
	PSE power pairs ext	aLldpXdot3RemPowerPairsExt
	Dual-signature power Class ext Mode A	aLldpXdot3RemPowerClassExtA
	Dual-signature power Class ext Mode B	aLldpXdot3RemPowerClassExtB
	Power class ext	aLldpXdot3RemPowerClassExt
	Power Type ext	aLldpXdot3RemPowerTypeExt
	PD 4PID	aLldpXdot3RemPD4PID
	PD Load	aLldpXdot3RemPDLoad
	PSE maximum available power value	aLldpXdot3RemPSEMaxAvailPower
	PSE Autoclass support	aLldpXdot3RemPSEAutoclassSupport
	Autoclass completed	aLldpXdot3RemAutoclassCompleted
	Autoclass request	aLldpXdot3RemAutoclassRequest
	Power down request	aLldpXdot3RemPowerDownRequest
	Power down time	aLldpXdot3RemPowerDownTime

Insert the following new TLV name group into Table 79-11 after the “Power via MDI” TLV name group (and before the “Link Aggregation (deprecated)” row):

Table 79–11—IEEE 802.3 Organizationally Specific TLV/LLDP Remote System Group managed object class cross references (continued)

TLV name	TLV variable	LLDP Remote System Group managed object class attribute
Power via MDI Measurements	Voltage support	aLldpXdot3RemMeasVoltageSupport
	Current support	aLldpXdot3RemMeasCurrentSupport
	Power support	aLldpXdot3RemMeasPowerSupport
	Energy support	aLldpXdot3RemMeasEnergySupport
	Measurement source	aLldpXdot3RemMeasurementSource
	Voltage request	aLldpXdot3RemMeasVoltageRequest
	Current request	aLldpXdot3RemMeasCurrentRequest
	Power request	aLldpXdot3RemMeasPowerRequest
	Energy request	aLldpXdot3RemMeasEnergyRequest
	Voltage measurement valid	aLldpXdot3RemMeasVoltageValid
	Current measurement valid	aLldpXdot3RemMeasCurrentValid
	Power measurement valid	aLldpXdot3RemMeasPowerValid
	Energy measurement valid	aLldpXdot3RemMeasEnergyValid
	Voltage uncertainty	aLldpXdot3RemMeasVoltageUncertainty
	Current uncertainty	aLldpXdot3RemMeasCurrentUncertainty
	Power uncertainty	aLldpXdot3RemMeasPowerUncertainty
	Energy uncertainty	aLldpXdot3RemMeasEnergyUncertainty
	Voltage measurement	aLldpXdot3RemVoltageMeasurement
	Current measurement	aLldpXdot3RemCurrentMeasurement
	Power measurement	aLldpXdot3RemPowerMeasurement
Energy measurement	aLldpXdot3RemEnergyMeasurement	
PSE Power price index	aLldpXdot3RemPSEPowerPriceIndex	

79.5 Protocol implementation conformance statement (PICS) proforma for IEEE 802.3 Organizational Specific Link Layer Discovery Protocol (LLDP) type, length, and value (TLV) information elements⁵

79.5.3 Major capabilities/options

Change 79.5.3 as follows:

Item	Feature	Subclause	Value/Comment	Status	Support
*MP	MAC/PHY Configuration/Status TLV	79.3.1		O	Yes [] No []
*PV	Power Via MDI TLV	79.3.2		O	Yes [] No []
*PT12	<u>Device is a Type 1 or Type 2 PSE or PD</u>	<u>79.3.2</u>		<u>O</u>	<u>Yes []</u> <u>No []</u>
*PT34	<u>Device is a Type 3 or Type 4 PSE or PD</u>	<u>79.3.2</u>		<u>O</u>	<u>Yes []</u> <u>No []</u>
*LA	Link Aggregation TLV	79.3.3	TLV deprecated	O	Yes [] No []
*FS	Maximum Frame Size TLV	79.3.4		O	Yes [] No []
*EE	EEE TLV	79.3.5		O	Yes [] No []
*EEFW	EEE Fast Wake TLV	79.3.6		O	Yes [] No []
*AE	Additional Ethernet Capabilities TLV	79.3.7		O	Yes [] No []
*PM	<u>Power via MDI Measurements TLV</u>	<u>79.3.8</u>		<u>O</u>	<u>Yes []</u> <u>No []</u>

⁵Copyright release for PICS proformas: Users of this standard may freely reproduce the PICS proforma in this subclause so that it can be used for its intended purpose and may further publish the completed PICS.

79.5.8 Power Via MDI TLV

Delete the entire Power via MDI TLV PICS table and insert the following new table in 79.5.8:

Item	Feature	Subclause	Value/Comment	Status	Support
PVT1	Not send DLL classification or Type 3 and Type 4 extension fields	79.3.2	Unless supplying or drawing power from the PI	PV:M	Yes [] N/A []
PVT2	Type 1 or Type 2 power entity DLL classification extension fields	79.3.2	Support the Power Via MDI TLV DLL classification extension fields shown in Figure 79-3 after the PI has been powered	PV*PT12:M	Yes [] N/A []
PVT3	Type 3 or Type 4 power entity DLL classification extension fields	79.3.2	Support the Power Via MDI TLV DLL classification extension fields and Type 3 and Type 4 extension fields shown in Figure 79-3 after the PI has been powered	PV*PT34:M	Yes [] N/A []
PVT4	Not support Type 3 and Type 4 power entity DLL Classification	79.3.2	Not include the Type 3 and Type 4 extension fields in Power via MDI TLVs	PV*PT12:M	Yes [] N/A []
PVT5	‘Port class’ field	79.3.2.1.1	Indicates if the port is a PSE or a PD when transmitted	PV:M	Yes [] N/A []
PVT6	‘PSE MDI power support’ field	79.3.2.1.2	Indicates if MDI power is supported	PV:M	Yes [] N/A []
PVT7	‘PSE MDI power state’ field	79.3.2.1.3	Indicates if the PSE function is enabled or disabled	PV:M	Yes [] N/A []
PVT8	‘PSE pairs control ability’ field	79.3.2.1.4	Indicates if the PSE has the capability to control which PSE Pinout Alternative is used for PD detection and power	PV:M	Yes [] N/A []
PVT9	‘PSE power pair’ field	79.3.2.2	Integer value as defined in Table 79-3a based on aPSEPowerPairs (30.9.1.1.4)	PV:M	Yes [] N/A []
PVT10	‘PSE power pair’ field for Type 3 or Type 4 PSEs furnishing power on a single pairset	79.3.2.2	To use value that defines that pairset	PV:M	Yes [] N/A []
PVT11	‘Power class’ field	79.3.2.3	Integer value as defined in Table 79-3b by the aPsePortPowerClassification (30.9.1.1.6)	PV:M	Yes [] N/A []
PVT12	‘Power type/source/priority’ field	79.3.2.4	Contains a bit-map of the Power type, source, and priority defined in Table 79-4	PV:M	Yes [] N/A []
PVT13	‘Power type’ field	79.3.2.4.1	Set according to Table 79-4	PV:M	Yes [] N/A []
PVT14	‘Power type’ field for Type 3 or Type 4 PSEs	79.3.2.4.1	Set to the value corresponding with Type 2 PSEs	PV*PT34:M	Yes [] N/A []

Item	Feature	Subclause	Value/Comment	Status	Support
PVT15	‘Power type’ field for Type 3 or Type 4 PDs	79.3.2.4.1	Set to the value corresponding with Type 2 PDs	PV*PT34:M	Yes [] N/A []
PVT16	‘PD 4PID’ field when Power type is PD	79.3.2.4.2a	Set according to Table 79–4 to indicate whether the PD supports powering of both Modes simultaneously	PV*PT34:M	Yes [] N/A []
PVT17	‘PD 4PID’ field when Power type is PSE	79.3.2.4.2a	Set to ‘0’	PV:M	Yes [] N/A []
PVT18	‘PD requested power value’ field	79.3.2.5	Contains the PD’s requested power value defined in Table 79–5	PV:M	Yes [] N/A []
PVT19	‘PSE allocated power value’ field	79.3.2.6	Contains the PSE’s allocated power value defined in Table 79–6	PV:M	Yes [] N/A []
PVT20	‘PD requested power Mode A’ field and ‘PD requested power Mode B’ field	79.3.2.6a	Contains the PD’s requested power value defined in Table 79–6a for Mode A and Table 79–6b for Mode B	PV*PT34:M	Yes [] N/A []
PVT21	‘PSE allocated power Alternative A’ field and ‘PSE allocated power Alternative B’ field	79.3.2.6b	Contains the values in Table 79–6c and Table 79–6d	PV*PT34:M	Yes [] N/A []
PVT22	‘PSE powering status’ field for PSEs	79.3.2.6c.1	Set to the current powering status as defined in Table 79–6e	PV*PT34:M	Yes [] N/A []
PVT23	‘PSE powering status’ field for PDs	79.3.2.6c.1	Set to ‘0’	PV*PT34:M	Yes [] N/A []
PVT24	‘PD powered status’ field for PDs	79.3.2.6c.2	Set to the current powered status as defined in Table 79–6e	PV*PT34:M	Yes [] N/A []
PVT25	‘PD powered status’ field for PSEs	79.3.2.6c.2	Set to ‘0’	PV*PT34:M	Yes [] N/A []
PVT26	‘PSE power pairs ext’ field for PSEs	79.3.2.6c.3	Contain powering status of the PSE as defined in Table 79–6e	PV*PT34:M	Yes [] N/A []
PVT27	‘PSE power pairs ext’ field for PDs	79.3.2.6c.3	Set to ‘0’	PV*PT34:M	Yes [] N/A []
PVT28	‘Dual-signature power Class ext Mode A’ field for single-signature PDs	79.3.2.6c.4	Set to ‘7’	PV*PT34:M	Yes [] N/A []
PVT29	‘Dual-signature power Class ext Mode A’ field for dual-signature PDs	79.3.2.6c.4	Set to the requested Class (see 145.3.6) for Mode A	PV*PT34:M	Yes [] N/A []
PVT30	‘Dual-signature power Class ext Mode A’ field for 2-pair only PSEs or PSEs connected to a single-signature PD	79.3.2.6c.4	Set to ‘7’	PV*PT34:M	Yes [] N/A []

Item	Feature	Subclause	Value/Comment	Status	Support
PVT31	‘Dual-signature power Class ext Mode A’ field for PSEs connected to a dual-signature PD	79.3.2.6c.4	Set to the assigned Class (see 145.2.8) for Mode A	PV*PT34:M	Yes [] N/A []
PVT32	‘Dual-signature power Class ext Mode B’ field for single-signature PDs	79.3.2.6c.5	Set to ‘7’	PV*PT34:M	Yes [] N/A []
PVT33	‘Dual-signature power Class ext Mode B’ field for dual-signature PDs	79.3.2.6c.5	Set to the requested Class (see 145.3.6) for Mode B	PV*PT34:M	Yes [] N/A []
PVT34	‘Dual-signature power Class ext Mode B’ field for 2-pair only PSEs or PSEs connected to a single-signature PD	79.3.2.6c.5	Set to ‘7’	PV*PT34:M	Yes [] N/A []
PVT35	‘Dual-signature power Class ext Mode B’ field for PSEs connected to a dual-signature PD	79.3.2.6c.5	Set to the assigned Class (see 145.2.8) for Mode B	PV*PT34:M	Yes [] N/A []
PVT36	‘Power Class ext’ field for single-signature PDs	79.3.2.6c.6	Set to the requested Class (see 145.3.6)	PV*PT34:M	Yes [] N/A []
PVT37	‘Power Class ext’ field for dual-signature PDs	79.3.2.6c.6	Set to ‘7’	PV*PT34:M	Yes [] N/A []
PVT38	‘Dual-signature power Class ext Mode B’ field for 2-pair only PSEs or PSEs connected to a single-signature PD	79.3.2.6c.6	Set to the assigned Class (see 145.2.8)	PV*PT34:M	Yes [] N/A []
PVT39	‘Dual-signature power Class ext Mode B’ field for PSEs connected to a dual-signature PD	79.3.2.6c.6	Set to ‘7’	PV*PT34:M	Yes [] N/A []
PVT40	‘System setup’ field	79.3.2.6d	Contains the device bit-map of the Power Type ext and PD Load defined in Table 79–6f	PV*PT34:M	Yes [] N/A []
PVT41	‘Power type ext’ field	79.3.2.6d.1	Set according to Table 79–6f	PV*PT34:M	Yes [] N/A []
PVT42	‘PD Load’ field when ‘Power type’ is PD	79.3.2.6d.2	Set according to Table 79–6f	PV*PT34:M	Yes [] N/A []
PVT43	‘PD Load’ field when ‘Power type’ is PSE	79.3.2.6d.2	Set to ‘0’	PV*PT34:M	Yes [] N/A []
PVT44	‘PSE maximum available power value’ field	79.3.2.6e	Contains the highest power the PSE can grant as defined in Table 79–6g	PV*PT34:M	Yes [] N/A []
PVT45	‘PSE maximum available power value’ field for PDs	79.3.2.6e	Set to ‘0’	PV*PT34:M	Yes [] N/A []
PVT46	‘Autoclass’ field	79.3.2.6f	Contains the bits defined in Table 79–6h	PV*PT34:M	Yes [] N/A []

Item	Feature	Subclause	Value/Comment	Status	Support
PVT47	‘PSE Autoclass support’ field when ‘Power type’ is PSE	79.3.2.6f.1	Set to indicate if the PSE supports Autoclass over DLL according to Table 79–6h	PV*PT34:M	Yes [] N/A []
PVT48	‘PSE Autoclass support’ field when ‘Power type’ is PD	79.3.2.6f.1	Set to ‘0’	PV*PT34:M	Yes [] N/A []
PVT49	‘Autoclass completed’ field when ‘Power type’ is PSE	79.3.2.6f.2	Set to indicate that the PSE has concluded the Autoclass measurement	PV*PT34:M	Yes [] N/A []
PVT50	‘Autoclass completed’ field when ‘Power type’ is PD	79.3.2.6f.2	Set to ‘0’	PV*PT34:M	Yes [] N/A []
PVT51	‘Autoclass request’ field when ‘Power type’ is PSE	79.3.2.6f.3	Set to 0’0	PV*PT34:M	Yes [] N/A []
PVT52	‘Power down’ field	79.3.2.6g	Contains the bits defined in Table 79–6i	PV*PT34:M	Yes [] N/A []
PVT53	‘Power down request’ field when ‘Power type’ is PD and power is to be maintained	79.3.2.6g.1	Set to ‘0’	PV*PT34:M	Yes [] N/A []
PVT54	‘Power down request’ field when ‘Power type’ is PSE	79.3.2.6g.1	Set to ‘0’	PV*PT34:M	Yes [] N/A []
PVT55	‘Power down time’ field when ‘Power type’ is PD	79.3.2.6g.2	Set per the description in Table 79–6i	PV*PT34:M	Yes [] N/A []
PVT56	‘Power down time’ field when ‘Power type’ is PSE	79.3.2.6g.2	Set to ‘0’	PV*PT34:M	Yes [] N/A []

Insert the following new subclause, 79.5.12, after 79.5.11:

79.5.12 Power via MDI Measurements TLV

Item	Feature	Subclause	Value/Comment	Status	Support
PMT1	‘Measurements’ field	79.3.8.1	Set according to Table 79–8a	PV*PT34:M	Yes [] N/A []
PMT2	Measurement values (voltage, current, power, or energy)	79.3.8.1	Set to ‘0’ in case the corresponding request bit is ‘0’	PV*PT34:M	Yes [] N/A []
PMT3	No support for Measurement values (voltage, current, power, or energy)	79.3.8.1	Value that is not supported set to ‘0’	PV*PT34:M	Yes [] N/A []
PMT4	‘PSE power price index’ field	79.3.8.2	Contains an index of the current price of electricity compared to what the PSE considers the nominal electricity price	PV*PT34:M	Yes [] N/A []

126. Physical Coding Sublayer (PCS), Physical Medium Attachment (PMA) sublayer, and baseband medium, types 2.5GBASE-T and 5GBASE-T

126.5 PMA electrical specifications

126.5.1 Isolation requirement

Change 126.5.1 as follows:

A PHY with a MDI that is a PI (see 33.1.3) shall meet the isolation requirements defined in 33.4.1 or 145.4.1.

~~The A PHY with a MDI that is not a PI shall provide electrical isolation between the port device circuits, including frame ground (if any) and all MDI leads. This electrical isolation shall withstand at least one of the following electrical strength tests:~~

- a) 1500 V rms at 50 Hz to 60 Hz for 60 s, applied as specified in Section 5.2.2 of IEC 60950-1:2001.
- b) 2250 V dc for 60 s, applied as specified in Section 5.2.2 of IEC 60950-1:2001.
- c) A sequence of ten 2400 V impulses of alternating polarity, applied at intervals of not less than 1 s. The shape of the impulses is 1.2/50 μ s (1.2 μ s virtual front time, 50 μ s virtual time or half value), as defined in Annex N of IEC 60950-1:2001.

There shall be no insulation breakdown, as defined in Section 5.2.2 of IEC 60950-1:2001, during the test. The resistance after the test shall be at least 2 M Ω , measured at 500 V dc.

Insert new Clause 145 after Clause 130 (Clause 131 to Clause 144 are reserved for future amendments):

145. Power over Ethernet

145.1 Overview

This clause defines the functional and electrical characteristics of an enhanced Power over Ethernet (PoE) system. The original PoE system is defined in Clause 33. Clause 145 includes the capability to provide power over 4 pairs while maintaining compatibility with equipment designed in accordance with Clause 33.

A PoE system consists of three separately specified major elements. They are the power supply, a non-data entity which is called the Power Sourcing Equipment (PSE), the powered load, another non-data entity which is called the Powered Device (PD), and the standards based, balanced, twisted-pair cabling connecting the two.

The cabling portion of the system is defined as the link section. The link section shares use of the cabling with the link segment used for data transmission. The PSE is normally an element of the powering DTE but may, instead, be located within the cabling portion of the system. PSEs located within the cabling portion of the system are called Midspan PSEs, or simply Midspans. The PD is an element of the powered DTE.

The system specified here is for use with IEEE 802.3 MAUs connected by 4-pair twisted pair cabling that have been qualified as being compatible with this clause. Those MAUs are defined in Clause 14 and the PHYs are defined in Clause 25, Clause 40, Clause 55, and Clause 126. Use in other environments is outside the scope of this standard. Power over Ethernet allows devices to supply / use power using the same generic cabling as is used for data transmission.

PSEs and PDs are categorized by Type. This clause specifies Type 3 and Type 4 devices as well as their interaction with Type 1 and Type 2 devices. References in this clause to PSEs and PDs without a Type qualifier refer exclusively to Type 3 and Type 4 devices. See Clause 33 for the specification of Type 1 and Type 2 devices.

Power over Ethernet is intended to provide a 10BASE-T, 100BASE-TX, 1000BASE-T, 2.5GBASE-T, 5GBASE-T, or 10GBASE-T device with a single cabling interface for both data and power. This clause specifies the following:

- a) A PSE to add power to the 100 Ω balanced cabling system
- b) The characteristics of a PD's load on the PSE and the structured cabling
- c) A protocol allowing the detection of a PD that requests power from a PSE
- d) Methods to classify a PD based on its power needs
- e) A method for a connected PSE and PD to dynamically negotiate power
- f) A method for scaling supplied power back to the detect level when power is no longer requested or required

The importance of item c) above should not be overlooked. Given the large number of legacy devices (both IEEE 802.3 and other types of devices) that could be connected to a 100 Ω balanced cabling system, and the possible consequences of applying power to such devices, the protocol to distinguish compatible devices and non-compatible devices is important to prevent damage to non-compatible devices.

The detection and powering algorithms are likely to be compromised by cabling that is not point-to-point, resulting in unpredictable performance and possibly damaged equipment.

This clause differentiates between the two ends of the powered portion of the link, i.e. the link section, defining the PSE and the PD as separate but related devices.

145.1.1 Compatibility considerations

The requirements in this Clause are designed such that PSEs and PDs that meet these requirements are compatible at their respective Power Interfaces (PIs). Designers are free to implement circuitry within the PD and PSE in an application-dependent manner provided that the respective PI specifications are satisfied.

145.1.2 Relationship of Power over Ethernet to the IEEE 802.3 Architecture

Power over Ethernet comprises an optional non-data entity. As a non-data entity, it does not appear in a depiction of the OSI Reference Model. Figure 145–1 depicts the positioning of PoE in the case of the PD.

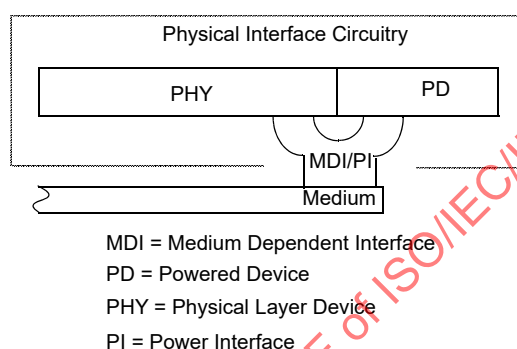


Figure 145–1—Power over Ethernet powered device relationship to the physical interface circuitry and the IEEE 802.3 Ethernet LAN model

Figure 145–2 and Figure 145–3 depict the positioning of PoE in the cases of the Endpoint PSE and the Midspan PSE, respectively.

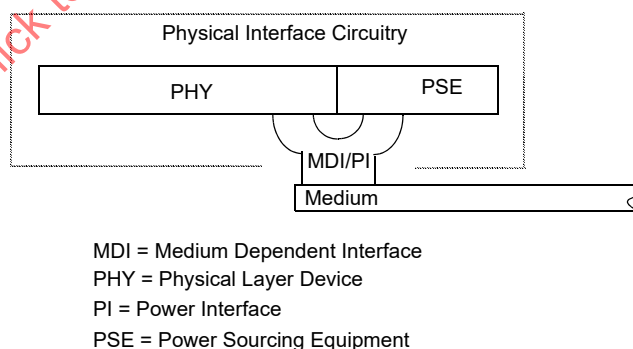


Figure 145–2—Power over Ethernet Endpoint power sourcing equipment relationship to the physical interface circuitry and the IEEE 802.3 Ethernet LAN model

The Power Interface (PI) is the mechanical and electrical interface between the PSE or PD and the transmission medium as defined in 1.4.406.

In an Endpoint PSE and in a PD, the PI is the MDI as defined in 1.4.324.

In the case of a Midspan PSE, the PI is physically separate from the MDI and is contained within the cabling portion of the data transmission system.

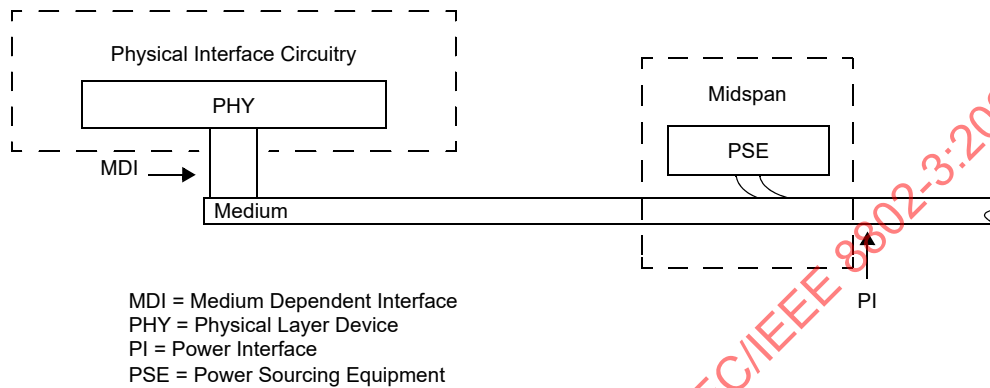


Figure 145–3—Power over Ethernet Midspan power sourcing equipment relationship to the physical interface circuitry and the IEEE 802.3 Ethernet LAN model

145.1.3 System parameters

A valid power system consists only of a single PSE sourcing power, a single PD, and the link section connecting them. The PSE and PD can each be of a Type defined in Clause 33 or Clause 145, in any combination. The power system has certain basic parameters defined according to Table 145–1. See 33.1.4 for these parameters as applicable to Type 1 and Type 2 devices. These parameters define not only certain performance characteristics of the system, but are also used in calculating the various electrical characteristics of PSEs and PDs as described in 145.2 and 145.3.

Table 145–1—System parameters

PSE Type	Nominal highest current per pair (I_{Cable} , A)	Number of powered pairs	Channel pairset maximum DC loop resistance (R_{Ch} , Ω)	Minimum cabling type
Type 3	0.6	2 or 4	12.5	Class D (ISO/IEC11801:1995) or Category 5 (ANSI/EIA/TIA-568-A:1995)
Type 4	0.6	2	12.5	
	0.96	4	12.5	

NOTE—The current on the pairs may be impacted by pair-to-pair system resistance unbalance. See 145.2.10.6.1. For additional information on pair-to-pair resistance unbalance in structured cabling systems, see TIA TSB-184-A [Bx2] and ISO/IEC TS 29125.

I_{Cable} , specified in Table 145–1, is the current on one twisted pair in the balanced twisted-pair cable. When power is delivered over 2 pairs, two twisted pairs are required to source I_{Cable} , one carrying (+ I_{Cable}) and one carrying (– I_{Cable}), from the perspective of the PI.

When power is delivered over 4 pairs, four twisted pairs are required to source $2 \times I_{\text{Cable}}$, two each carrying a nominal current (+ I_{Cable}) and two each carrying a nominal current (– I_{Cable}), from the perspective of the PI. Greater than Class 4 power delivery requires 4 pairs.

I_{Cable} is the highest nominal current on a pair for a system without pair-to-pair current unbalance. When power is provided over 4 pairs, the current may be unbalanced, causing one pair to have a higher current than I_{Cable} , while the other pair of the same polarity carries a corresponding lower current than I_{Cable} . The maximum nominal total 4-pair current is twice the value of I_{Cable} . See TIA TSB-184-A [Bx2] and ISO/IEC TS 29125 for additional information on pair-to-pair resistance unbalance.

The cable references use “DC loop resistance,” which refers to two single conductors in series. This clause uses “pairset DC loop resistance” (R_{Ch}), which refers to two pairs in series. Therefore, R_{Ch} is related to, but not equivalent to, the “DC loop resistance” called out in the cable references. In addition to I_{Cable} , the requirements of this clause reference the total current and the per pairset current, which are described here.

I_{Port} is the total current on both pairs with the same polarity and is defined in Equation (145–7).

$I_{\text{Port-2P}}$ is the current on the negative pair of a pairset and is derived from $I_{\text{Port-2P-pri}}$ and $I_{\text{Port-2P-sec}}$ in Equation (145–5).

Pairset current is the current on the negative pair associated with a given pairset. Note that the positive pair and the negative pair of a pairset may carry a different amount of current, caused by the independent pair-to-pair current unbalance in the positive pairs, and in the negative pairs, when the system is providing power over more than 2 pairs.

2-pair mode refers to power delivery using either one pair at positive V_{PSE} and one at negative V_{PSE} , or to using two pairs at positive V_{PSE} and one at negative V_{PSE} .

4-pair mode refers to power delivery using two pairs at positive V_{PSE} and two at negative V_{PSE} .

R_{Ch} is the maximum pairset DC loop resistance, as defined in Table 145–1.

R_{Chan} is the actual DC resistance from the PSE PI to the PD PI and back. R_{Chan} has a maximum value of $R_{\text{Ch}}/2$ when operating in 4-pair mode. R_{Chan} has a maximum value of R_{Ch} when operating in 2-pair mode.

$R_{\text{Chan-2P}}$ is the actual pairset DC resistance from the PSE PI to the PD PI and back. $R_{\text{Chan-2P}}$ has a maximum value of R_{Ch} .

V_{PD} is the voltage at the PD PI. For a single-signature PD, V_{PD} is measured between any positive conductor of a pairset and any negative conductor of the corresponding pairset, for the pairset with the highest voltage. For a dual-signature PD, V_{PD} is measured between any positive conductor of a pairset and any negative conductor of the corresponding pairset, for the given Mode.

V_{PSE} is the voltage at the PSE PI. When connected to a single-signature PD and operating in 4-pair mode, V_{PSE} is measured between any positive conductor and any negative conductor. When connected to a dual-signature PD, when operating in 2-pair mode, or when the PD signature configuration has not yet been identified, V_{PSE} is measured between any positive conductor of the pairset and any negative conductor of the corresponding pairset, for the given Alternative.

145.1.4 Cabling requirements

Class D or better cabling as specified in ISO/IEC 11801:1995, with the additional requirement that the channel DC loop resistance is 25 Ω or less, is required to support operation as specified in this Clause. These requirements are also met by Class D or better cabling as specified by ISO/IEC 11801:2002, Category 5e or better cable and components as specified in ANSI/TIA-568-C.2, or Category 5 cable and components as specified in ANSI/TIA/EIA-568-A-1995.

Cable ambient operating temperature guidelines for Type 3 and Type 4 operation are provided in ISO/IEC TS 29125 [B48]⁶ and TIA TSB-184A [Bx2]. For Type 3 and Type 4 PoE systems, managing the temperature rise can require a reduction in the maximum number of cables bundled. See ISO/IEC TS 29125, TIA TSB-184-A, as well as applicable local codes and regulations, e.g., the National Electrical Code® (NEC®) (NFPA 70®, 2017 Edition) [Bx1], for more information.

Planning considerations for PoE systems are provided in ISO/IEC CD 14763-2 supported by the information in ISO/IEC TS 29125 and TIA TSB-184-A, as well as applicable local codes and regulations.

Within Clause 145 and its annexes, the term link section refers to the point-to-point medium connection between two and only two active Power Interfaces (PIs). Type 3 and Type 4 operation requires link sections to comply with the intra-pair resistance unbalance requirements for twisted-pair cabling as specified in ISO/IEC 11801:2002 and ANSI/TIA-568-C.2. Refer to Annex 145A for more information including the requirements for pair-to-pair resistance unbalance when operating over 4 pairs.

⁶The numbers in brackets correspond to those of the bibliography in Annex A.

145.2 Power sourcing equipment (PSE)

The PSE is the portion of the end station or midspan equipment that provides the power to a single PD. The PSE's main functions are as follows:

- To search the link section for a PD
- To supply power to the detected PD through the link section
- To monitor the power on the link section
- To remove power when no longer requested or required, returning to the searching state

An unplugged link section is one instance when power is no longer required.

In addition, power classification mechanisms exist to provide the PSE with detailed information regarding the power needs of the PD.

A PSE is electrically specified at the point of the physical connection to the cabling.

Additional electrical specifications that apply to the PSE are specified in 145.4.

145.2.1 PSE Type descriptions

A PSE can be categorized as either a Type 1, Type 2, Type 3 or Type 4 PSE. See 33.2 for the specification of Type 1 and Type 2 PSEs.

Type 1, Type 2, Type 3, and Type 4 PSEs interoperate with Type 1, Type 2, Type 3, and Type 4 PDs, subject to power limitations. See 145.2.8.

Table 145–2 summarizes the supported parameters of Type 3 and Type 4 PSEs. The PSE Type can only change when the PSE state diagram (Figure 145–13) is in IDLE.

Table 145–2—PSE supported parameters

PSE Type	Supports 4-pair power	Highest Class supported ^a	Short MPS support ^b	Physical Layer classification ^a	Data Link Layer classification ^a	Autoclass ^c
Type 3	No / Yes	1 to 4	Yes	Multiple-Event	Optional	Optional
	Yes	1 to 6				
Type 4	Yes	7 to 8				

^a See 145.2.8, Table 145–11 and Table 145–12.

^b See 145.2.12.

^c See 145.2.8.2 and 145.3.6.2.

145.2.2 PSE location

PSEs may be placed in two locations with respect to the link segment, either coincident with the DTE/Repeater or midspan. A PSE that is coincident with the DTE/Repeater is an “Endpoint PSE”. A PSE that is located within a link segment that is distinctly separate from and between the MDIs is a “Midspan PSE”. The requirements of this document apply equally to Endpoint and Midspan PSEs unless the requirement contains an explicit statement that it applies to only one implementation. The location of various Endpoint and Midspan PSEs are illustrated in Figure 145–4 to Figure 145–11.

PSEs can be compatible with any of the following: 10BASE-T, 100BASE-TX, 1000BASE-T, 2.5GBASE-T, 5GBASE-T, 10GBASE-T.

145.2.3 Midspan PSE variants

There are several variants of Midspan PSEs defined.

10BASE-T/100BASE-TX Midspan PSE:

A Midspan PSE that results in a link that can support only 10BASE-T and 100BASE-TX operation (see Figure 145–8 and Figure 145–10). Note that this limitation is due to the presence of the Midspan PSE whether it is supplying power or not.

1000BASE-T Midspan PSE:

A Midspan PSE that results in a link that can support 10BASE-T, 100BASE-TX, and 1000BASE-T operation (see Figure 145–9 and Figure 145–11).

2.5GBASE-T Midspan PSE:

A Midspan PSE that results in a link that can support 1000BASE-T and 2.5GBASE-T operation, and optionally support 10BASE-T and 100BASE-TX operation (see Figure 145–9 and Figure 145–11).

5GBASE-T Midspan PSE:

A Midspan PSE that results in a link that can support 1000BASE-T, 2.5GBASE-T, and 5GBASE-T operation, and optionally support 10BASE-T and 100BASE-TX operation (see Figure 145–9 and Figure 145–11).

10GBASE-T Midspan PSE:

A Midspan PSE that results in a link that can support 1000BASE-T, 2.5GBASE-T, 5GBASE-T, and 10GBASE-T operation, and optionally support 10BASE-T and 100BASE-TX operation (see Figure 145–9 and Figure 145–11).

NOTE—See 145.4.9.3 for Alternative A Midspan PSEs.

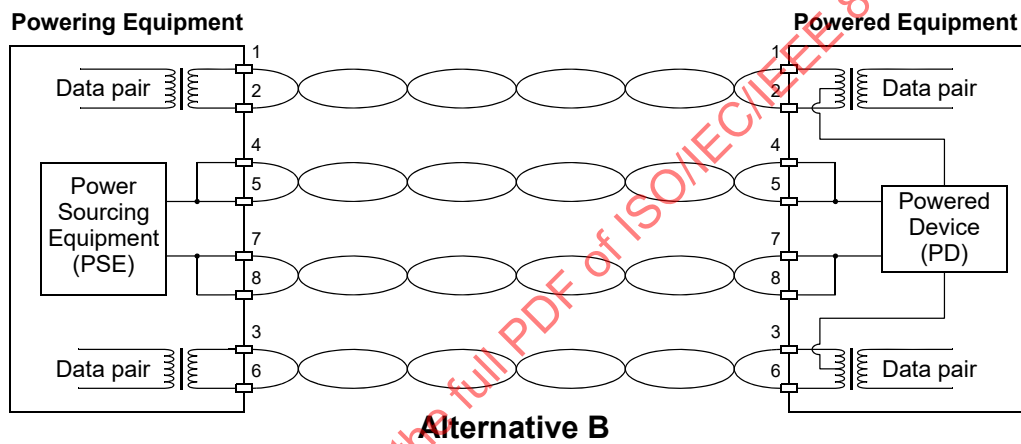
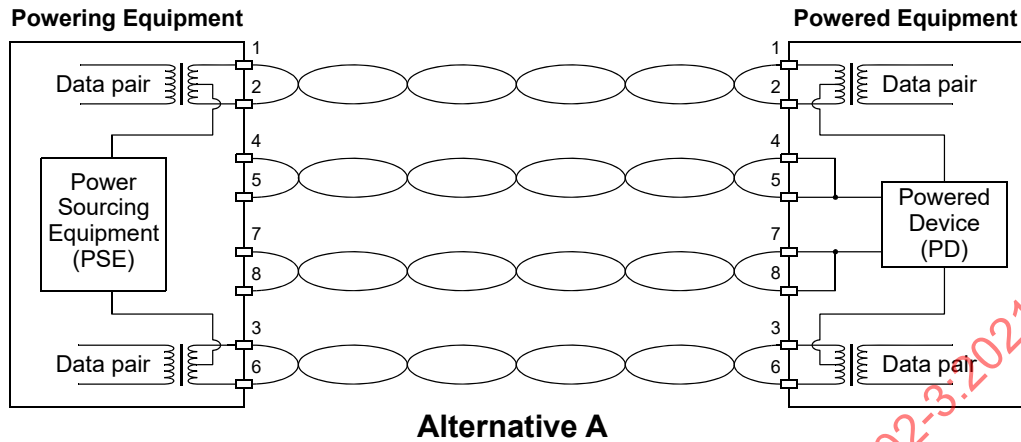


Figure 145-4—10BASE-T/100BASE-TX 2-pair Endpoint PSE location overview

STANDARDSISO.COM : Click to view the full PDF of ISO/IEC/IEEE 8802-3:2021/Amd 2:2021

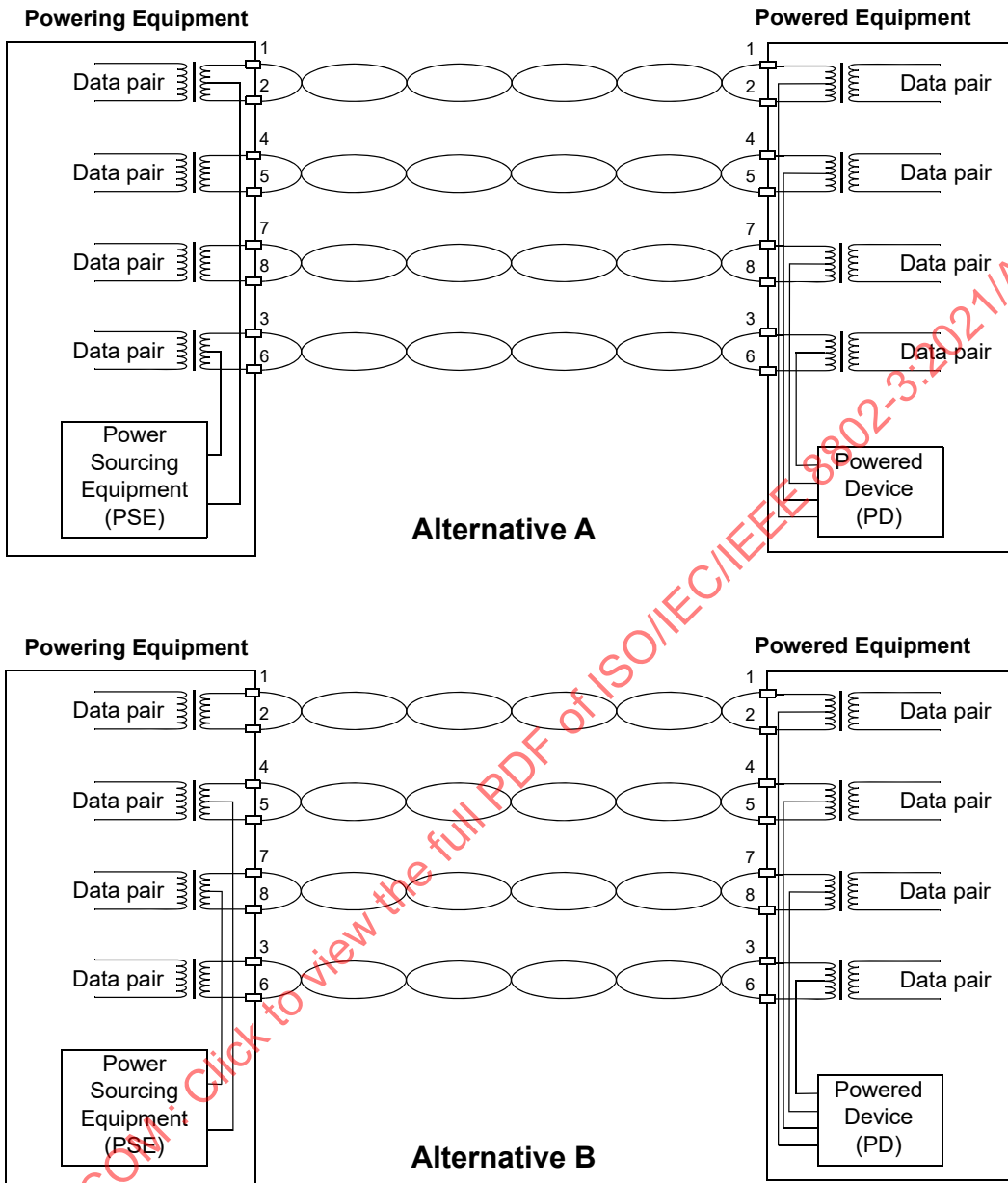


Figure 145-5—1000/2.5G/5G/10GBASE-T 2-pair Endpoint PSE location overview

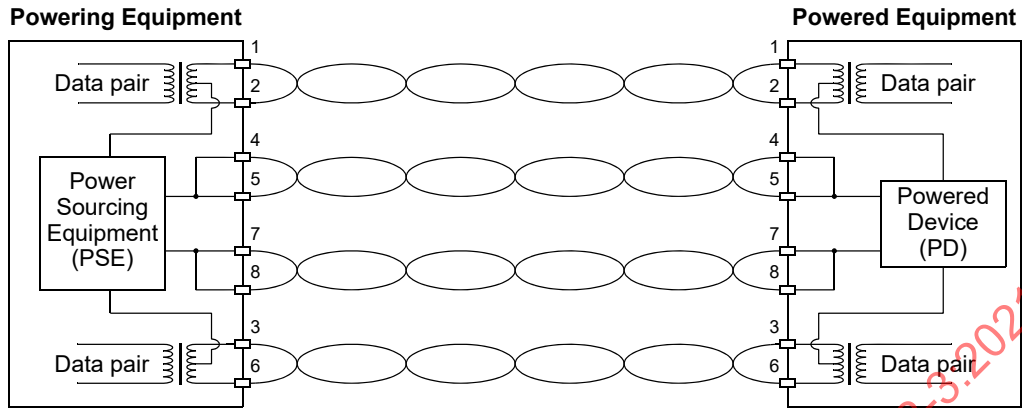


Figure 145-6—10BASE-T/100BASE-TX 4-pair Endpoint PSE location overview

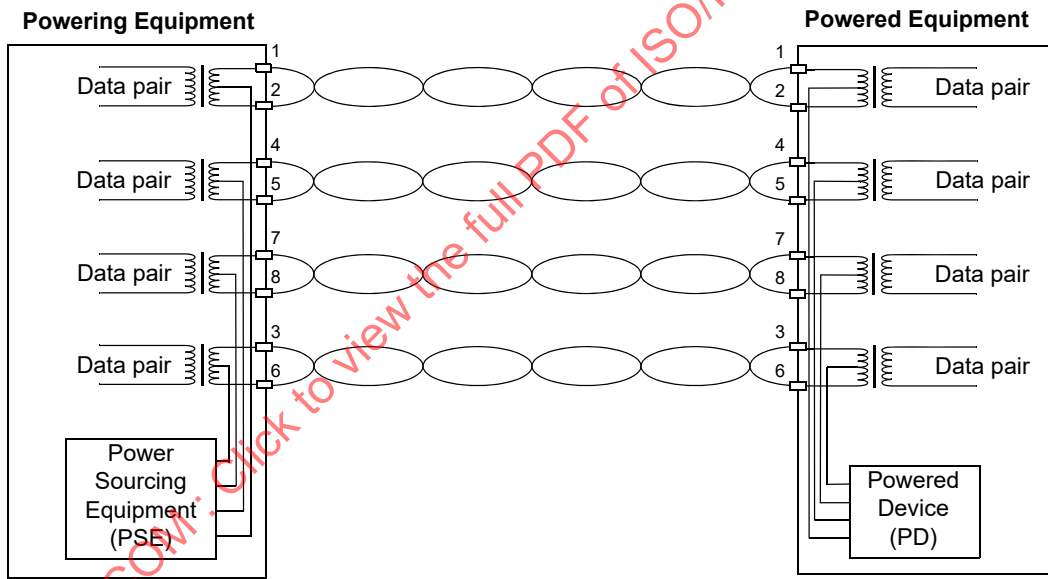


Figure 145-7—1000/2.5G/5G/10GBASE-T 4-pair Endpoint PSE location overview

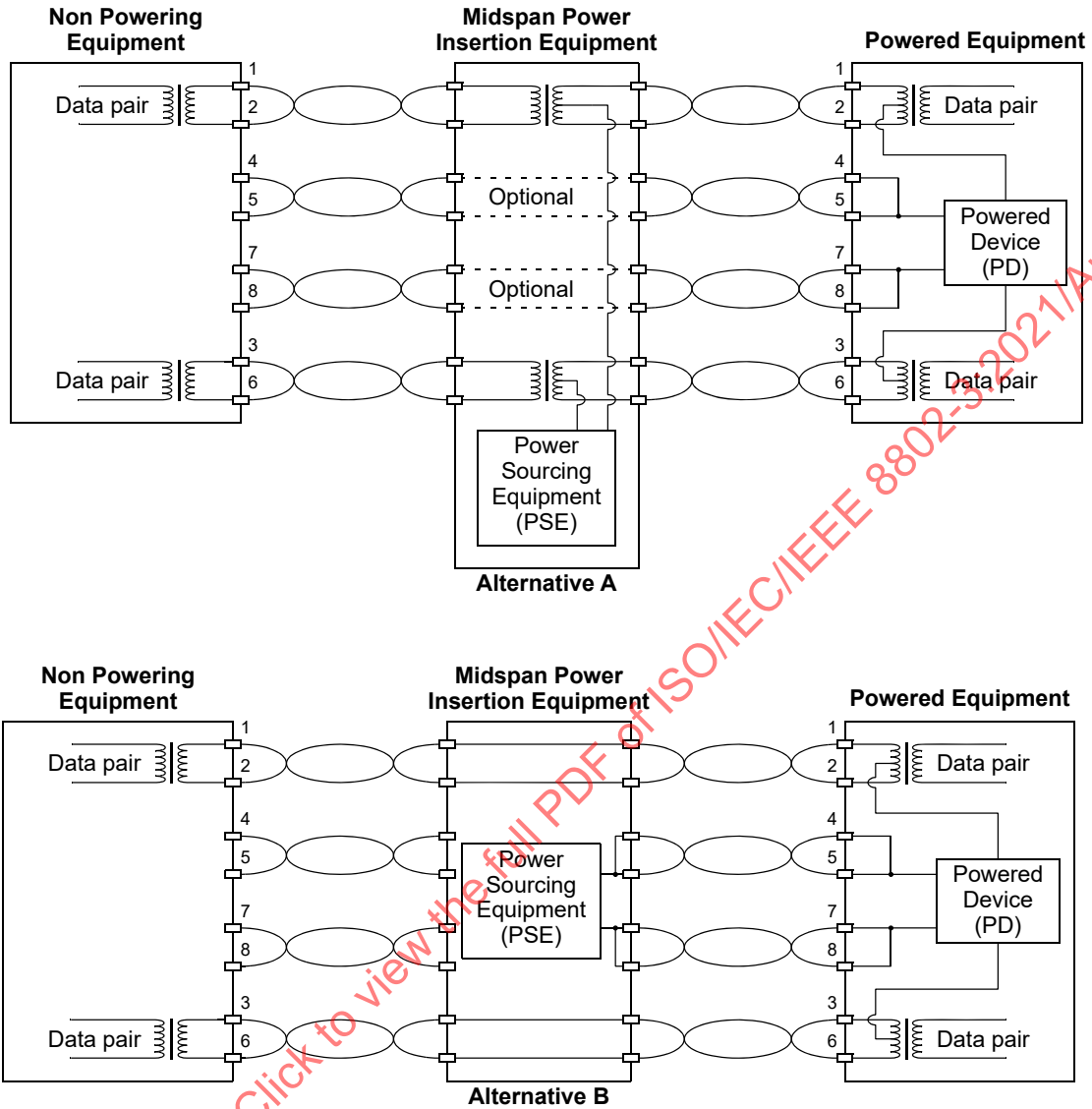


Figure 145-8—10BASE-T/100BASE-TX 2-pair Midspan PSE location overview

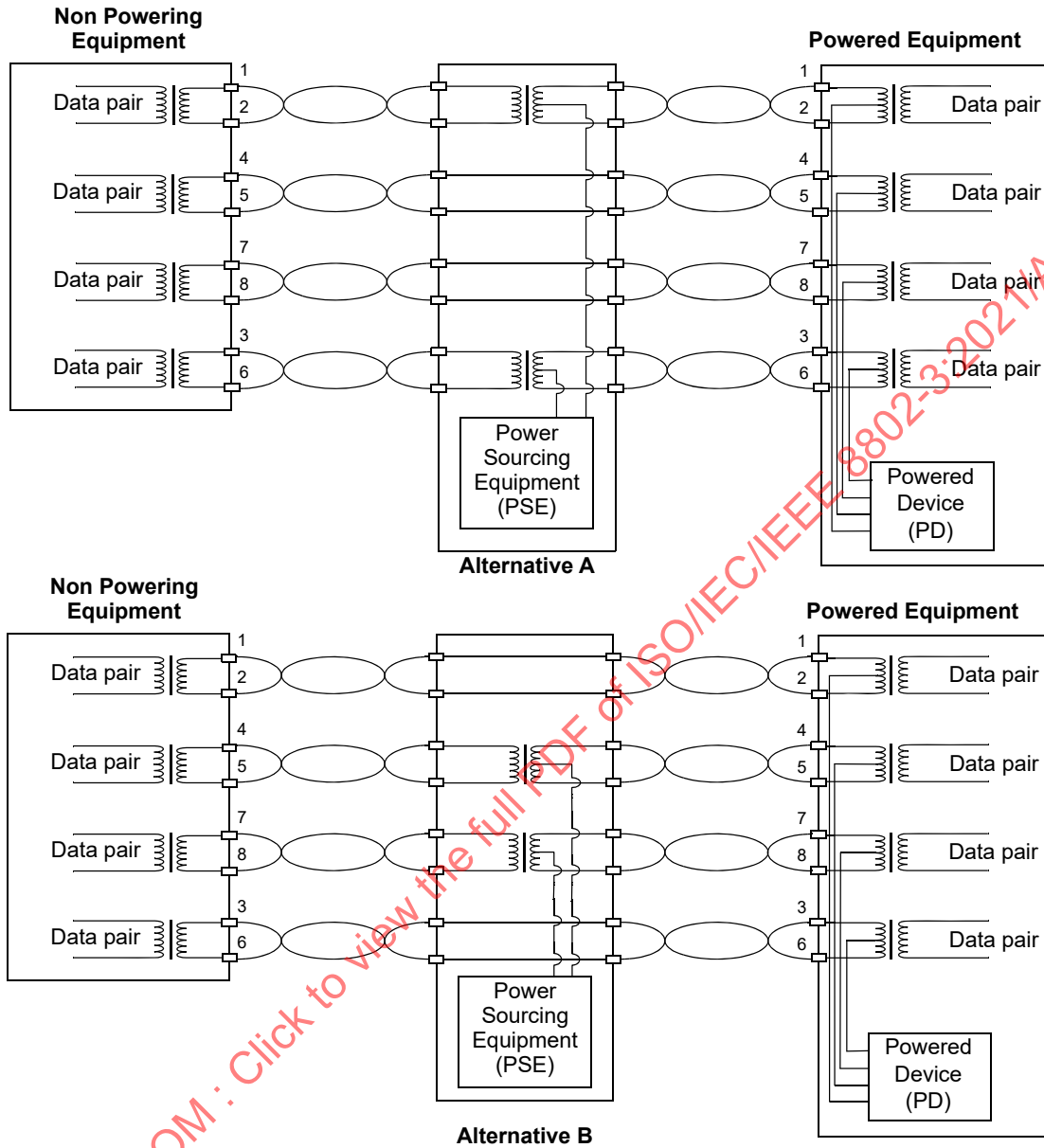


Figure 145-9—1000BASE-T, 2.5G, 5G, or 10GBASE-T 2-pair Midspan PSE location overview

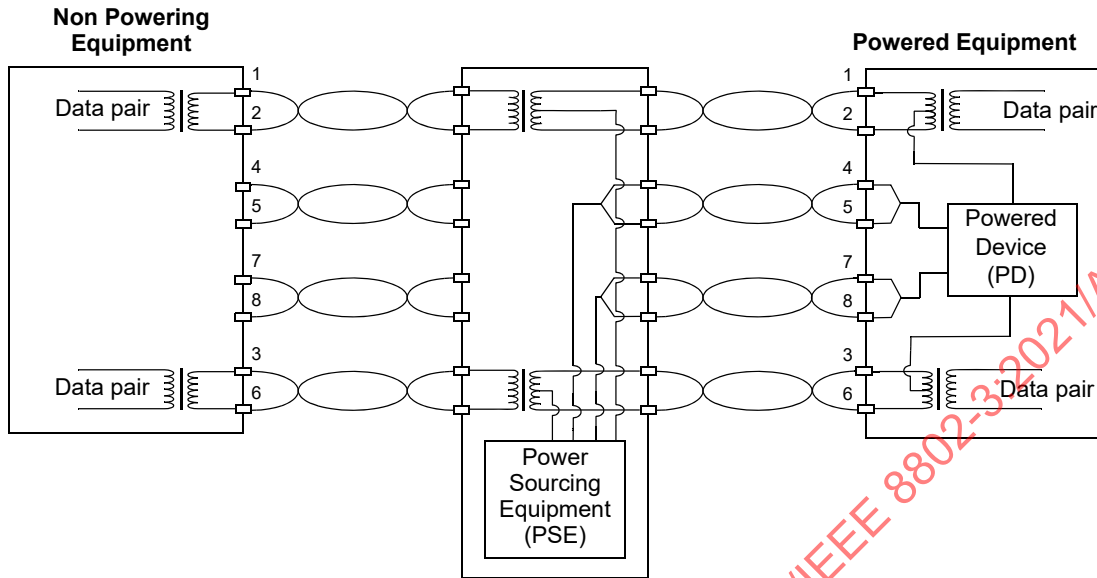


Figure 145-10—10BASE-T/100BASE-TX 4-pair Midspan PSE location overview

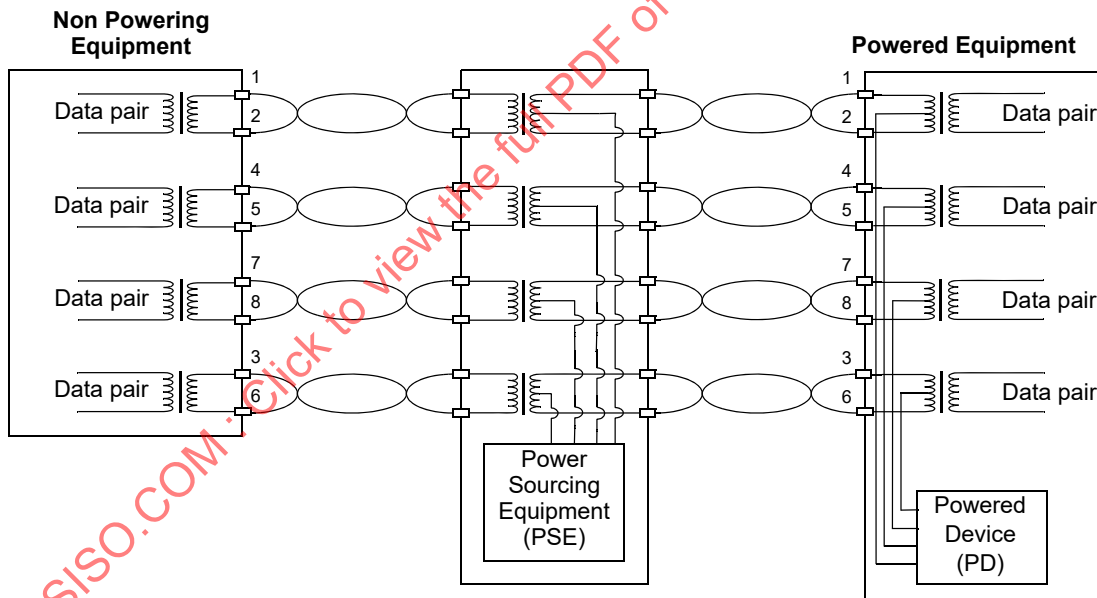


Figure 145-11—1000BASE-T, 2.5G, 5G, or 10GBASE-T 4-pair Midspan PSE location overview

145.2.4 PSE PI

A PSE device may provide power via one or both of the two valid four-conductor connections, named pairsets. A pairset consists of a pair at the positive V_{PSE} and a pair at the negative V_{PSE} . The two conductors associated with a pair each carry the same nominal current in both magnitude and polarity. Figure 145–12, in conjunction with Table 145–3, illustrates the pairsets, which for PSEs are named Alternative A and Alternative B.

PSEs are required to switch the negative pairs, and may switch the positive pairs as defined in 145.4.1.1. This may lead to both positive pairs providing current in 2-pair mode.

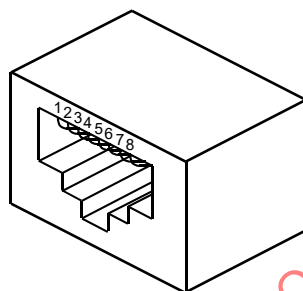


Figure 145–12—PD and PSE eight-pin modular jack

Table 145–3—PSE Pinout Alternatives

Conductor	Alternative A (MDI-X)	Alternative A (MDI)	Alternative B(X)	Alternative B(S)
1	Negative V_{PSE}	Positive V_{PSE}	—	—
2	Negative V_{PSE}	Positive V_{PSE}	—	—
3	Positive V_{PSE}	Negative V_{PSE}	—	—
4	—	—	Negative V_{PSE}	Positive V_{PSE}
5	—	—	Negative V_{PSE}	Positive V_{PSE}
6	Positive V_{PSE}	Negative V_{PSE}	—	—
7	—	—	Positive V_{PSE}	Negative V_{PSE}
8	—	—	Positive V_{PSE}	Negative V_{PSE}

PSEs shall use only the permitted polarity configurations associated with Alternative A and Alternative B listed in Table 145–4 corresponding with their Type. For further information on the placement of MDI vs. MDI-X, see 14.5.2.

Table 145–4—Permitted Pinout Alternatives per Type

PSE Type	Alternative A (MDI-X)	Alternative A (MDI)	Alternative B(X)	Alternative B(S)
Type 3	Yes	Yes	Yes	Yes
Type 4	Yes	No	No	Yes

Type 3 PSEs shall implement Alternative A, Alternative B, or both. Type 3 PSEs providing Class 5 or Class 6 power levels and Type 4 PSEs shall implement Alternative A and Alternative B. PSEs may operate simultaneously on both Alternatives, when the requirements of 145.2.9 are met.

The PSE specifications related to current apply on the negative pair or pairs unless otherwise noted.

145.2.5 PSE state diagrams

PSEs shall provide the behavior of the state diagrams shown in Figure 145–13 to Figure 145–18.

145.2.5.1 State diagram overview and timing

If power is to be applied, the PSE turns on power after a valid detection in less than T_{pon} as defined in Table 145–16. If the PSE cannot supply power within T_{pon} , it initiates and successfully completes a new detection cycle before applying power. See 145.2.10.14 for details.

It is possible that two separate PSEs, one that implements Alternative A and one that implements Alternative B (see 145.2.2), may be attached to the same link segment. In such a configuration, and without the required backoff algorithm, the PSEs could prevent each other from ever detecting a PD by interfering with the detection process of the other.

A PSE performing detection using only Alternative B may fail to detect a valid PD detection signature. When this occurs, the PSE shall back off for at least T_{dbo} as defined in Table 145–16 before attempting another detection, except in the case of an open circuit as defined in 145.2.6.5. During this backoff, the PSE shall not apply a voltage greater than V_{off} to the PI. See 145.2.6.5 for more information on Alternative B detection backoff requirements.

If a PSE performing detection using Alternative A detects an invalid detection signature, it should complete a second detection in less than T_{dbo} after the beginning of the first detection attempt. This allows an Alternative A PSE to complete a successful detection cycle prior to an Alternative B PSE present on the same link section that may have caused the invalid detection signature.

Connection Check timing requirements are specified in Table 145–10. Detection and power turn-on timing requirements are specified in Table 145–16. Classification timing requirements are specified in Table 145–14. Autoclass timing requirements are specified in Table 145–15.

In the state diagram, each Alternative serves a distinct role during 4-pair operation. In any implementation, the roles of the Alternatives shall be established in IDLE and be maintained in every other state. In the state diagram, the roles of the Alternatives are named Primary Alternative and Secondary Alternative.

NOTE—During 4-pair operation, it may be necessary to swap the roles of Alternative A and Alternative B in IDLE in order to detect a PD.

The state diagram consists of multiple state diagrams that operate concurrently. Depending on the connected PD being identified as single-signature or dual-signature, the state diagram operates in a different manner. The top level state diagram consists of Figure 145–13.

If the connected PD is identified as dual-signature, the top level state diagram will proceed to SISM_START and remain in that state, at which point the semi-independent state diagrams for the Primary and Secondary Alternative become active. The dual-signature semi-independent state diagram is defined in Figure 145–15 and Figure 145–16 for the Primary and Secondary Alternative respectively.

Monitoring of MPS is described by the state diagrams in Figure 145–17 and Figure 145–18.

145.2.5.2 Conventions

The notation used in the state diagrams follows the conventions of state diagrams as described in 21.5. In addition a precedence order for operators is established in Table 145–5. Operators of equal precedence are evaluated left-to-right. Operator precedence in qualifiers is a local convention for this clause.

Table 145–5—State diagram operators in order of precedence (highest to lowest)

Operator	Meaning
()	Indicates precedence
<, ≤, >, ≥, =, ≠	Less than, less than or equal to, greater than, greater than or equal to, equals, not equals
!	Boolean NOT
*	Boolean AND
^	Boolean XOR
+	Boolean OR
←	Assignment operator

Some states in the state diagrams use an IF-THEN-ELSE-END construct to condition which actions are taken within the state. If the logical expression associated with the IF evaluates TRUE all the actions listed between THEN and ELSE will be executed. In the case where ELSE is omitted, the actions listed between THEN and END will be executed. If the logical expression associated with the IF evaluates FALSE the actions listed between ELSE and END will be executed. After executing the actions listed between THEN and ELSE, between THEN and END, or between ELSE and END, the actions following the END, if any, will be executed.

State diagrams may span over multiple pages. Arcs between states located on a different page within the same state diagram are drawn using a label containing the destination state’s name at the originating state. An empty label is used at the destination state to indicate that there exists an entry, or entries, from another state.

145.2.5.3 Constants

CC_DET_SEQ

A constant indicating the sequence in which the PSE performs connection check and detection. See Annex 145B for timing diagrams.

Values:

- 0: Connection Check is followed by staggered detection for a single-signature PD and parallel or staggered detection for a dual-signature PD.
- 1: Detection on a pairset is followed by connection check and then detection on the other pairset for a single-signature PD and parallel or staggered (starting with first pairset) detection for a dual-signature PD.
- 2: Connection check and detection on both pairsets are performed within a single T_{det} window.
- 3: Connection check is followed by staggered detection.

Parallel detection refers to detection on both pairsets being performed in the same T_{det} time period. Staggered detection refers to detection on both pairsets being performed in a different T_{det} cycle.

145.2.5.4 Variables

alt_done_pri

A variable used to coordinate the main single-signature state diagram with the semi-independent dual-signature state diagram for the Primary Alternative.

Values:

- FALSE: The semi-independent state diagram is not ready to return to IDLE within the single-signature state diagram.
- TRUE: The semi-independent state diagram is ready to return to IDLE within the single-signature state diagram.

alt_done_sec

A variable used to coordinate the main single-signature state diagram with the semi-independent dual-signature state diagram for the Secondary Alternative.

Values:

- FALSE: The semi-independent state diagram is not ready to return to IDLE within the single-signature state diagram.
- TRUE: The semi-independent state diagram is ready to return to IDLE within the single-signature state diagram.

alt_pri

A variable used to select which Alternative assumes the role of Primary Alternative in the state diagram.

Values:

- a: Alternative A assumes the role of Primary Alternative. When operating over 4 pairs, Alternative B assumes the role of Secondary Alternative.
- b: Alternative B assumes the role of Primary Alternative. When operating over 4 pairs, Alternative A assumes the role of Secondary Alternative.

alt_pwrd_pri

A variable that controls the circuitry that the PSE uses to power the PD over the Alternative that has been assigned as Primary.

Values:

- FALSE: The circuitry that applies operating voltage to the Primary Alternative is disabled.
- TRUE: The circuitry that applies operating voltage to the Primary Alternative is enabled.

alt_pwrd_sec

A variable that controls the circuitry that the PSE uses to power the PD over the Alternative that has been assigned as Secondary.

Values:

- FALSE: The circuitry that applies operating voltage to the Secondary Alternative is disabled.
- TRUE: The circuitry that applies operating voltage to the Secondary Alternative is enabled.

autoclass_enable

A variable indicating that the PSE is enabled to check if the PD is requesting Autoclass via Physical Layer classification; see 145.2.8.2 and 145.3.6.2.

Values:

- FALSE: Autoclass is disabled in the PSE.
- TRUE: Autoclass is enabled in the PSE.

class_4PID_mult_events_pri

A variable indicating if the PSE generates 3 class events on the Primary Alternative to determine if a dual-signature PD is a candidate for 4-pair power.

Values:

- FALSE: The PSE does not need to generate 3 class events to determine if the PD is a candidate for 4-pair power.
- TRUE: The PSE generates at least 3 class events to determine if the PD is a candidate for 4-pair power.

class_4PID_mult_events_sec

A variable indicating if the PSE generates 3 class events on the Secondary Alternative to determine if a dual-signature PD is a candidate for 4-pair power.

Values:

- FALSE: The PSE does not need to generate 3 class events to determine if the PD is a candidate for 4-pair power.
- TRUE: The PSE generates at least 3 class events to determine if the PD is a candidate for 4-pair power.

det_once_sec

This variable indicates if the PSE has probed the Secondary Alternative at least once following exit from ENTRY_SEC.

Values:

- FALSE: The PSE has not probed the Secondary Alternative since entering the Secondary Alternative state diagram.
- TRUE: The PSE has probed the Secondary Alternative at least once since entering the Secondary Alternative state diagram.

det_start_pri

A variable that indicates to the Secondary Alternative that the Primary Alternative is between START_DETECT and POWER_UP.

Values:

- FALSE: The Primary Alternative is not between START_DETECT and POWER_UP.
- TRUE: The Primary Alternative is between START_DETECT and POWER_UP.

det_start_sec

A variable that indicates to the Primary Alternative that the Secondary Alternative is between START_DETECT and POWER_UP.

Values:

- FALSE: The Secondary Alternative is not between START_DETECT and POWER_UP.
- TRUE: The Secondary Alternative is between START_DETECT and POWER_UP.

det_temp

A variable that indicates whether a 4-pair PSE has completed detection on one and only one Alternative or if the PSE has completed detection on neither or both Alternatives.

Values:

- both_neither: The PSE has completed detection on both Alternatives or neither Alternatives.
- only_one: The PSE has completed detection on only one Alternative.

error_condition

A variable indicating the status of implementation-specific fault conditions or optionally other system faults that prevent the PSE from meeting the specifications in Table 145–16 and that require the PSE not to source power. This variable may be set by the PSE at any time.

Values:

- FALSE: No fault indication.
- TRUE: A fault indication exists.

error_condition_pri

A variable indicating the status of implementation-specific fault conditions or optionally other system faults that prevent the PSE from meeting the specifications in Table 145–16 and that require the PSE not to source power over the Primary Alternative. This variable may be set by the PSE at any time.

Values:

- FALSE: No fault indication.
- TRUE: A fault indication exists.

error_condition_sec

A variable indicating the status of implementation-specific fault conditions or optionally other system faults that prevent the PSE from meeting the specifications in Table 145–16 and that require the PSE not to source power over the Secondary Alternative. This variable may be set by the PSE at any time.

Values:

- FALSE: No fault indication.
- TRUE: A fault indication exists.

error_pri

Alias for the following terms: short_det_pri + ovld_det_pri + option_vport_lim_pri.

error_sec

Alias for the following terms: short_det_sec + ovld_det_sec + option_vport_lim_sec.

iclass_lim_det

A variable indicating if any I_{Class} measured by the PSE during do_classification is invalid or equal to or greater than $I_{Class_LIM\ min}$ as defined in Table 145–14. This variable is set per this description.

Values:

- FALSE: Measured I_{Class} is not invalid or is less than $I_{Class_LIM\ min}$ during do_classification or this function is not active.
- TRUE: Measured I_{Class} is invalid or equal to or greater than $I_{Class_LIM\ min}$ during do_classification.

iclass_lim_det_pri

A variable indicating if any I_{Class} measured by the PSE over the Primary Alternative during do_classification_pri is invalid or equal to or greater than $I_{Class_LIM\ min}$ as defined in Table 145–14. This variable is set per this description.

Values:

- FALSE: Measured I_{Class} over the Primary Alternative is not invalid or is less than $I_{Class_LIM\ min}$ during do_classification_pri or this function is not active.
- TRUE: Measured I_{Class} over the Primary Alternative is invalid or equal to or greater than $I_{Class_LIM\ min}$ during do_classification_pri.

iclass_lim_det_sec

A variable indicating if any I_{Class} measured by the PSE over the Secondary Alternative during do_classification_sec is invalid or equal to or greater than $I_{Class_LIM\ min}$ as defined in Table 145–14. This variable is set per this description.

Values:

- FALSE: Measured I_{Class} over the Secondary Alternative is not invalid or is less than $I_{Class_LIM\ min}$ during do_classification_sec or this function is not active.

TRUE: Measured I_{Class} over the Secondary Alternative is invalid or equal to or greater than I_{Class_LIM} min during do_classification_sec.

MirroredPDAutoClassRequest

A variable output by the PSE power control state diagram that indicates whether the PSE has received an AutoClass measurement request from the PD via the Data Link Layer. See 145.5. This variable is assigned through Table 145–38.

Values:

FALSE: The PSE has not received an AutoClass measurement request from PD.
TRUE: The PSE has received an AutoClass measurement request from PD.

mps_valid

The PSE monitors the Maintain Power Signature (MPS, see 145.2.12). This variable indicates the presence or absence of a valid MPS, when the connected PD is a single-signature PD, or the PSE is operating in 2-pair mode. This variable is set per this description.

Values:

FALSE: MPS is absent.
TRUE: MPS is present.

mps_valid_pri

The PSE monitors the Maintain Power Signature (MPS, see 145.2.12) on the Primary Alternative. This variable indicates the presence or absence of a valid MPS on the Primary Alternative, when the connected PD is a dual-signature PD. This variable is set per this description.

Values:

FALSE: MPS is absent.
TRUE: MPS is present.

mps_valid_sec

The PSE monitors the Maintain Power Signature (MPS, see 145.2.12) on the Secondary Alternative. This variable indicates the presence or absence of a valid MPS on the Secondary Alternative, when the connected PD is a dual-signature PD. This variable is set per this description.

Values:

FALSE: MPS is absent.
TRUE: MPS is present.

option_2ev

This variable indicates if PSE will generate 2 or 3 class events when pse_avail_pwr is 4.

Values:

FALSE: The PSE is not restricted to 2 class events when pse_avail_pwr is 4.
TRUE: The PSE is restricted to 2 class events when pse_avail_pwr is 4.

option_class_probe

This variable indicates if the PSE should determine the PD requested Class via the do_class_probe function. When set to TRUE, the PSE will issue 3 class events to determine the PD requested Class, perform a classification reset by applying V_{Reset} for at least T_{Reset} to the PI (see Table 145–14), followed by a normal classification procedure.

Values:

FALSE: The PSE will not probe for the PD requested Class.
TRUE: The PSE probes for the PD requested Class.

option_class_probe_pri

This variable indicates if the PSE should determine the PD requested Class on the Primary Alternative via the do_class_probe_pri function. When set to TRUE, the PSE will issue 3 class events to determine the PD requested Class, perform a classification reset by applying V_{Reset} for at least T_{Reset} to the Primary Alternative (see Table 145–14).

Values:

FALSE: The PSE will not probe for the PD requested Class.
TRUE: The PSE probes for the PD requested Class.

option_class_probe_sec

This variable indicates if the PSE should determine the PD requested Class on the Secondary Alternative via the do_class_probe_sec function. When set to TRUE, the PSE will issue 3 class events to determine the PD requested Class, perform a classification reset by applying V_{Reset} for at least T_{Reset} to the Secondary Alternative (see Table 145–14).

Values:

- FALSE: The PSE will not probe for the PD requested Class.
- TRUE: The PSE probes for the PD requested Class.

option_detect_ted

This variable indicates if detection can be performed by the PSE during the ted_timer interval.

Values:

- FALSE: Do not perform detection during ted_timer interval.
- TRUE: Perform detection during ted_timer interval.

option_detect_ted_pri

This variable indicates if detection can be performed by the PSE on the Primary Alternative during the ted_timer_pri interval.

Values:

- FALSE: Do not perform detection during ted_timer_pri interval.
- TRUE: Perform detection during ted_timer_pri interval.

option_detect_ted_sec

This variable indicates if detection can be performed by the PSE on the Secondary Alternative during the ted_timer_sec interval.

Values:

- FALSE: Do not perform detection during ted_timer_sec interval.
- TRUE: Perform detection during ted_timer_sec interval.

option_probe_alt_sec

This variable indicates if the PSE will continue to detect and conditionally perform Physical Layer classification on the Secondary Alternative in the event power is not applied to the Primary Alternative.

Values:

- FALSE: PSE does not probe the Secondary Alternative if power is not applied to the Primary Alternative.
- TRUE: PSE does probe the Secondary Alternative if power is not applied to the Primary Alternative.

option_vport_lim_pri

This variable indicates if V_{PSE} on the Primary Alternative is out of the operating range during normal operating state. This variable is set per this description.

Values:

- FALSE: V_{PSE} on the Primary Alternative is within the V_{Port_PSE-2P} operating range as defined in Table 145–16 or the PSE does not implement this option.
- TRUE: V_{PSE} on the Primary Alternative is outside of the V_{Port_PSE-2P} operating range as defined in Table 145–16.

option_vport_lim_sec

This variable indicates if V_{PSE} on the Secondary Alternative is out of the operating range during normal operating state. This variable is set per this description.

Values:

- FALSE: V_{PSE} on the Secondary Alternative is within the V_{Port_PSE-2P} operating range as defined in Table 145–16 or the PSE does not implement this option.
- TRUE: V_{PSE} on the Secondary Alternative is outside of the V_{Port_PSE-2P} operating range as defined in Table 145–16.

ovld_det_pri

A variable indicating if the PSE output current has been in an overload condition on the Primary Alternative; see 145.2.10.8. This variable is set per this description.

Values:

- FALSE: The PSE has not detected an overload condition on the Primary Alternative.
- TRUE: The PSE has detected an overload condition on the Primary Alternative.

ovld_det_sec

A variable indicating if the PSE output current has been in an overload condition on the Secondary Alternative; see 145.2.10.8. This variable is set per this description.

Values:

- FALSE: The PSE has not detected an overload condition on the Secondary Alternative.
- TRUE: The PSE has detected an overload condition on the Secondary Alternative.

pd_4pair_cand

This variable is used by the PSE to indicate that a connected PD is a candidate to receive power on both Modes. This variable is a function of the results of detection, connection check, Physical Layer classification, and PD 4PID; see 145.2.9.

Values:

- FALSE: The PD is not a candidate to receive power on both Modes.
- TRUE: The PD is a candidate to receive power on both Modes.

pd_cls_4PID_pri

This variable indicates that the Type of the dual-signature PD has been established on the Primary Alternative by Physical Layer classification.

Values:

- FALSE: The PD is not a candidate for 4-pair power or the PSE has not used Physical Layer classification to determine the PD Type.
- TRUE: The PD is a candidate for 4-pair power and has been identified as a Type 3 or Type 4 PD, see Table 145–27.

pd_cls_4PID_sec

This variable indicates that the Type of the dual-signature PD has been established on the Secondary Alternative by Physical Layer classification.

Values:

- FALSE: The PD is not a candidate for 4-pair power or the PSE has not used Physical Layer classification to determine the PD Type.
- TRUE: The PD is a candidate for 4-pair power and has been identified as a Type 3 or Type 4 PD, see Table 145–27.

pd_req_pwr

The variable indicates the PD requested Class. When a PD requests a higher Class than a PSE can support, the PSE assigns the PD to Class 3, Class 4, or Class 6, whichever is the highest Class it can support. If `pse_avail_pwr` is less than 4 and `option_class_probe` is FALSE, this variable may not contain the PD requested Class; `do_class_probe` also returns this variable.

Values:

- 0: Class 0
- 1: Class 1
- 2: Class 2
- 3: Class 3
- 4: Class 4
- 5: Class 5
- 6: Class 6
- 7: Class 7
- 8: Class 8

power_available

Variable that is asserted in an implementation-dependent manner when the PSE is no longer capable of sourcing sufficient power to support the attached PD. Sufficient power is defined by classification; see 145.2.8. This variable may be set by the PSE at any time.

Values:

- FALSE: PSE is no longer capable of sourcing power to a PD.
- TRUE: PSE is capable to continue to source power to a PD.

power_available_pri

Variable that is asserted in an implementation-dependent manner when the PSE is no longer capable of sourcing sufficient power on the Primary Alternative to support the attached PD. Sufficient power is defined by classification; see 145.2.8. This variable may be set by the PSE at any time.

Values:

- FALSE: PSE is no longer capable of sourcing power on the Primary Alternative.
- TRUE: PSE is capable to continue to source power on the Primary Alternative.

power_available_sec

Variable that is asserted in an implementation-dependent manner when the PSE is no longer capable of sourcing sufficient power on the Secondary Alternative to support the attached PD. Sufficient power is defined by classification; see 145.2.8. This variable may be set by the PSE at any time.

Values:

- FALSE: PSE is no longer capable of sourcing power on the Secondary Alternative.
- TRUE: PSE is capable to continue to source power on the Secondary Alternative.

pse_allocated_pwr

A variable that indicates the Class that has been assigned to the PD.

Values:

- 0: No power has been assigned to the PD
- 1: Class 1
- 2: Class 2
- 3: Class 3
- 4: Class 4
- 5: Class 5
- 6: Class 6
- 7: Class 7
- 8: Class 8

pse_alternative

This variable indicates which Pinout Alternative the PSE uses to apply power to the PI (see Table 145-3).

Values:

- a: The PSE uses PSE pinout Alternative A.
- b: The PSE uses PSE pinout Alternative B.
- both: The PSE uses both Alternative A and Alternative B.

pse_avail_pwr

This variable indicates the highest Class the PSE may assign to the PD by Physical Layer classification. The value is restricted to the allowed range defined in Table 145-6 and set in an implementation-specific manner.

Values:

- 1: Class 1
- 2: Class 2
- 3: Class 3
- 4: Class 4
- 5: Class 5
- 6: Class 6

- 7: Class 7
- 8: Class 8

pse_avail_pwr_pri

This variable indicates the highest Class the PSE may assign to the PD by Physical Layer classification on the Primary Alternative. The value is restricted to the allowed range defined in Table 145–6 and set in an implementation-specific manner.

Values:

- 1: Class 1
- 2: Class 2
- 3: Class 3
- 4: Class 4
- 5: Class 5

pse_avail_pwr_sec

This variable indicates the highest Class the PSE may assign to the PD by Physical Layer classification on the Secondary Alternative. The value is restricted to the allowed range defined in Table 145–6 and set in an implementation-specific manner.

Values:

- 1: Class 1
- 2: Class 2
- 3: Class 3
- 4: Class 4
- 5: Class 5

pse_dll_capable

This variable indicates whether the PSE is capable of performing optional Data Link Layer classification. See 145.5 for a description of Data Link Layer functionality. A variable that is set in an implementation-dependent manner.

Values:

- FALSE: The PSE’s Data Link Layer classification capability is not enabled.
- TRUE: The PSE’s Data Link Layer classification capability is enabled.

pse_dll_enable

A variable indicating whether the Data Link Layer classification mechanism is enabled. See 145.5.

Values:

- FALSE: Data Link Layer classification is not enabled.
- TRUE: Data Link Layer classification is enabled.

pse_dll_ready

An implementation-specific variable that indicates that the PSE has initialized Data Link Layer classification. This variable maps into the aLldpXdot3LocReady attribute (30.12.2.1.20). This variable may be set by the PSE at any time.

Values:

- FALSE: Data Link Layer classification has not completed initialization.
- TRUE: Data Link Layer classification has completed initialization.

pse_enable

A variable that selects PSE operation. This variable may be set by the PSE at any time.

Values:

- disable: All PSE functions disabled (behavior is as if there was no PSE functionality).
- enable: Normal PSE operation.

pse_power_update

A variable that is set when the PSEAllocatedPowerValue in the DLL state diagram in Figure 145–40 has been updated. This variable may be set by the PSE at any time.

Values:

- FALSE: The value of PSEAllocatedPowerValue has not changed.
- TRUE: The value of PSEAllocatedPowerValue has changed.

pse_power_update_pri

A variable that is set when the PSEAllocatedPowerValue_alt(X) in the DLL state diagram in Figure 145–42 or Figure 145–43 has been updated, where X is the Primary Alternative. This variable may be set by the PSE at any time.

Values:

- FALSE: The value of PSEAllocatedPowerValue_alt(X) has not changed.
- TRUE: The value of PSEAllocatedPowerValue_alt(X) has changed.

pse_power_update_sec

A variable that is set when the PSEAllocatedPowerValue_alt(X) in the DLL state diagram in Figure 145–42 or Figure 145–43 has been updated, where X is the Secondary Alternative. This variable may be set by the PSE at any time.

Values:

- FALSE: The value of PSEAllocatedPowerValue_alt(X) has not changed.
- TRUE: The value of PSEAllocatedPowerValue_alt(X) has changed.

pse_ready

Variable that is asserted in an implementation-dependent manner to probe the link segment. This variable may be set by the PSE at any time.

Values:

- FALSE: PSE is not ready to probe the link segment.
- TRUE: PSE is ready to probe the link segment.

NOTE—Care should be taken when negating this variable in a PSE performing detection using Alternative A after an invalid detection signature is detected due to the delay it introduces between detection attempts (see 145.2.5.1).

pse_reset

Controls the resetting of the PSE state diagram. Condition that is TRUE until such time as the power supply for the device that contains the PSE overall state diagrams has reached the operating region. It is also TRUE when implementation-specific reasons require reset of PSE functionality. This variable is set per this description.

Values:

- FALSE: Do not reset the PSE state diagram.
- TRUE: Reset the PSE state diagram.

pse_reset_pri

Controls the resetting of the PSE state diagram on Primary Alternative. Condition that is TRUE until such time as the power supply for the device that contains the PSE overall state diagrams has reached the operating region. It is also TRUE when implementation-specific reasons require reset of PSE Primary Alternative functionality. This variable is set per this description.

Values:

- FALSE: Do not reset the PSE state diagram.
- TRUE: Reset the PSE state diagram.

pse_reset_sec

Controls the resetting of the PSE state diagram on Secondary Alternative. Condition that is TRUE until such time as the power supply for the device that contains the PSE overall state diagrams has reached the operating region. It is also TRUE when implementation-specific reasons require reset of PSE Secondary Alternative functionality. This variable is set per this description.

Values:

- FALSE: Do not reset the PSE state diagram.
- TRUE: Reset the PSE state diagram.

pse_ss_mode

A variable that controls whether the PSE provides power over 2 pair or 4 pair to a single-signature PD assigned to Class 1 through Class 4. This variable may be set by the PSE at any time.

- 0: Single-signature PD is powered over 2 pair.
- 1: Single-signature PD is powered over 4 pair.

pse_ss_mode_update

A variable that is used to cause the PSE to re-evaluate the value of pse_ss_mode when it is in POWER_ON. This variable may be set by the PSE at any time.

Values:

- FALSE: pse_ss_mode is not re-evaluated.
- TRUE: pse_ss_mode will be re-evaluated.

pwr_app_pri

A variable indicating that the PSE has begun steady state operation on the Primary Alternative by having asserted alt_pwrd_pri, completed the ramp up of voltage, is not in a current limiting mode, and is operating beyond the POWER_UP requirements of 145.2.10.7. This variable is set per this description.

Values:

- FALSE: The PSE is either not applying power or has begun applying power but is still in POWER_UP on the Primary Alternative.
- TRUE: The PSE has begun steady state operation on the Primary Alternative.

pwr_app_sec

A variable indicating that the PSE has begun steady state operation on the Secondary Alternative by having asserted alt_pwrd_sec, completed the ramp up of voltage, is not in a current limiting mode, and is operating beyond the POWER_UP requirements of 145.2.10.7. This variable is set per this description.

Values:

- FALSE: The PSE is either not applying power or has begun applying power but is still in POWER_UP on the Secondary Alternative.
- TRUE: The PSE has begun steady state operation on the Secondary Alternative.

semi_pwr_en

A variable indicating if, in the case of a single-signature PD, the PSE uses the method consisting of turning off only the pairset on which a short-circuit, overload or out of range V_{PSE} is detected.

Values:

- TRUE: Only the pairset with the fault condition is turned off.
- FALSE: Both pairsets are turned off if there is a fault on one pairset.

short_det_pri

A variable indicating if the PSE output current has been in a short circuit condition on the Primary Alternative. This variable is set per this description. See 145.2.10.9.

Values:

- FALSE: The PSE has not detected a short circuit condition on the Primary Alternative.
- TRUE: The PSE has detected a short circuit condition on the Primary Alternative.

short_det_sec

A variable indicating if the PSE output current has been in a short circuit condition on the Secondary Alternative. This variable is set per this description. See 145.2.10.9.

Values:

- FALSE: The PSE has not detected a short circuit condition on the Secondary Alternative.
- TRUE: The PSE has detected a short circuit condition on the Secondary Alternative.

sism

A variable used by the single-signature state diagram to initiate the semi-independent dual-signature state diagrams.

Values:

- FALSE: Single-signature state diagram has control of the Alternatives.
- TRUE: Single-signature state diagram has passed control of the Alternatives to the semi-independent dual-signature state diagrams.

temp_var

A variable used to store the previous value of the variable pd_class_sig.

temp_var_pri

A variable used to store the previous value of the variable pd_class_sig_pri for the Primary Alternative.

temp_var_sec

A variable used to store the previous value of the variable pd_class_sig_sec for the Secondary Alternative.

PSEs shall set pse_avail_pwr, pse_avail_pwr_pri, and pse_avail_pwr_sec from the range in Table 145–6.

Table 145–6—Allowed Type 3 and Type 4 PSE permutations for pse_avail_pwr

PSE Type	pse_avail_pwr	pse_avail_pwr_pri, pse_avail_pwr_sec
Type 3	1 to 6	1 to 4
Type 4	1 to 8	1 to 5

145.2.5.5 Timers

All timers operate in the manner described in 14.2.3.2 with the following addition: a timer is reset and stops counting upon entering a state where “stop x_timer” is asserted.

tauto_pse1_timer

A timer used to delay Autoclass power measurement following transition into POWER_ON; see T_{AUTO_PSE1} in Table 145–15.

tauto_pse2_timer

A timer used to limit Autoclass power measurement following transition into POWER_ON; see T_{AUTO_PSE2} in Table 145–15.

tcc2det_timer

A timer used to limit the time between connection check and detection when CC_DET_SEQ = 0 or CC_DET_SEQ = 3. See T_{cc2det} in Table 145–10.

tcev_timer

A timer used to limit the second through fifth class event time in Multiple-Event classification; see T_{CEV} in Table 145–14.

tcev_timer_pri

A timer used to limit the second through fourth class event time in Multiple-Event classification on the Primary Alternative; see T_{CEV} in Table 145–14.

tcev_timer_sec

A timer used to limit the second through fourth class event time in Multiple-Event classification on the Secondary Alternative; see T_{CEV} in Table 145–14.

tclass_acs_timer

A timer used to indicate when the PSE may measure the class current during the first long class event, to check if the PD is requesting Autoclass. See T_{Class_ACS} in Table 145–14.

tclass_reset_timer

A timer used to limit the classification reset time; See T_{Reset} in Table 145–14.

tclass_reset_timer_pri

A timer used to limit the classification reset time on the Primary Alternative; see T_{Reset} in Table 145–14.

tclass_reset_timer_sec

A timer used to limit the classification reset time on the Secondary Alternative; see T_{Reset} in Table 145–14.

- tdbo_timer**
A timer used to regulate backoff upon detection of an invalid detection signature; see T_{dbo} in Table 145–16.
- tdet_timer**
A timer used to limit an attempt to detect a PD; see T_{det} in Table 145–16.
- tdet_timer_pri**
A timer used to limit an attempt to detect a PD on the Primary Alternative; see T_{det} in Table 145–16.
- tdet_timer_sec**
A timer used to limit an attempt to detect a PD on the Secondary Alternative; see T_{det} in Table 145–16.
- tdet2det_timer**
A timer used to limit the time between the completion of a detection on one pairset and the beginning of a detection on the other; see T_{det2det} in Table 145–10.
- ted_timer**
A timer used to regulate a subsequent attempt to power a PD after an error condition causes power removal; see T_{ed} in Table 145–16. The default state of this timer is `ted_timer_done`.
- ted_timer_pri**
A timer used to regulate a subsequent attempt to power a PD after an error condition causes power removal from the Primary Alternative; see T_{ed} in Table 145–16. The default state of this timer is `ted_timer_pri_done`.
- ted_timer_sec**
A timer used to regulate a subsequent attempt to power a PD after an error condition causes power removal from the Secondary Alternative; see T_{ed} in Table 145–16. The default state of this timer is `ted_timer_sec_done`.
- tinrush_timer_pri**
A timer used to monitor the duration of the inrush event on the Primary Alternative; see T_{Inrush} in Table 145–16.
- tinrush_timer_sec**
A timer used to monitor the duration of the inrush event on the Secondary Alternative; see T_{Inrush} in Table 145–16.
- tlce_timer**
A timer used to limit the first class event time in Multiple-Event classification; see T_{LCE} in Table 145–14.
- tlce_timer_pri**
A timer used to limit the first class event time in Multiple-Event classification on the Primary Alternative; see T_{LCE} in Table 145–14.
- tlce_timer_sec**
A timer used to limit the first class event time in Multiple-Event classification on the Secondary Alternative; see T_{LCE} in Table 145–14.
- tme1_timer**
A timer used to limit mark event times for all but the last mark event time during Multiple-Event classification; see T_{ME1} in Table 145–14.
- tme1_timer_pri**
A timer used to limit mark event times for all but the last mark event time during Multiple-Event classification on the Primary Alternative; see T_{ME1} in Table 145–14.
- tme1_timer_sec**
A timer used to limit mark event times for all but the last mark event time during Multiple-Event classification on the Secondary Alternative; see T_{ME1} in Table 145–14.

tme2_timer

A timer used to limit the final mark event time in Multiple-Event classification; see T_{ME2} in Table 145–14.

tme2_timer_pri

A timer used to limit the final mark event time in Multiple-Event classification on the Primary Alternative; see T_{ME2} in Table 145–14.

tme2_timer_sec

A timer used to limit the final mark event time in Multiple-Event classification on the Secondary Alternative; see T_{ME2} in Table 145–14

tmpdo_timer

A timer used to monitor the dropout of the MPS; see T_{MPDO} in Table 145–16.

tmpdo_timer_pri

A timer used to monitor the dropout of the MPS on the Primary Alternative; see T_{MPDO} in Table 145–16.

tmpdo_timer_sec

A timer used to monitor the dropout of the MPS on the Secondary Alternative; see T_{MPDO} in Table 145–16.

tpon_timer

A timer used to limit the time for power turn-on; see T_{pon} in Table 145–16.

tpon_timer_pri

A timer used to limit the time on the Primary Alternative for power turn-on; see T_{pon} in Table 145–16.

tpon_timer_sec

A timer used to limit the time on the Secondary Alternative for power turn-on; see T_{pon} in Table 145–16.

145.2.5.6 Functions

The variable formed by the function name appended with “_done” is used to indicate when the function has completed. This variable is set to FALSE when the function is called and is set to TRUE once the function is complete and its output variables are valid.

do_autoclass_measure

This function measures $P_{Autoclass}$ as defined in 145.2.8.2.

do_autoclassification

This function returns the following variable:

pd_autoclass: This variable indicates whether the PD requests Autoclass during Physical Layer classification. pd_autoclass is set to True when a class signature of ‘0’ is detected during the T_{Class_ACS} window, as defined in Table 145–14, otherwise it is set to False.

Values:

- FALSE: The PD does not request Autoclass.
- TRUE: The PD requests Autoclass.

do_class_probe

This function discovers the PD requested Class by producing a number of class events. The class events produced are limited to CLASS_EV1_LCE to MARK_EV3. The tlce_timer in CLASS_EV1_LCE may be replaced with the tcev_timer to allow abbreviated class timing duration. This function returns the following variable:

pd_req_pwr: See pd_req_pwr in 145.2.5.4.

do_class_probe_pri

This function discovers the PD requested Class by producing a number of class events on the Primary Alternative. The class events produced are limited to CLASS_EV1_LCE_PRI to MARK_EV3_PRI. The tlc_timer_pri in CLASS_EV1_LCE_PRI may be replaced with the tcev_timer_pri to allow abbreviated class timing duration. This function returns the following variables:

pd_req_pwr_pri: See do_classification_pri function.

pd_cls_4PID_pri: See pd_cls_4PID_pri in 145.2.5.4.

do_class_probe_sec

This function discovers the PD requested Class by producing a number of class events on the Secondary Alternative. The class events produced are limited to CLASS_EV1_LCE_SEC to MARK_EV3_SEC. The tlc_timer_sec in CLASS_EV1_LCE_SEC may be replaced with the tcev_timer_sec to allow abbreviated class timing duration. This function returns the following variables:

pd_req_pwr_sec: See do_classification_sec function.

pd_cls_4PID_sec: See pd_cls_4PID_sec in 145.2.5.4.

do_class_reset

This function produces the classification reset voltage; See V_{Reset} in Table 145–14. This function does not return any variables.

do_class_reset_pri

This function produces the classification reset voltage on the Primary Alternative; See V_{Reset} in Table 145–14. This function does not return any variables.

do_class_reset_sec

This function produces the classification reset voltage on the Secondary Alternative; See V_{Reset} in Table 145–14. This function does not return any variables.

do_classification

This function produces the classification event voltage and determines the PD's class signature. This function returns the following variable:

pd_class_sig: The PD class signature seen on the negative pair or pairs during the most recent class event; see Table 145–13 and 145.2.8.

Values:

0:	class signature 0
1:	class signature 1
2:	class signature 2
3:	class signature 3
4:	class signature 4

do_classification_pri

This function produces the classification event voltage and determines the PD's class signature for the Primary Alternative. This function returns the following variables for the Primary Alternative:

pd_req_pwr_pri: This variable indicates the PD requested Class. When a PD requests a higher Class than a PSE can support, the PSE assigns the PD Class 3 or 4, whichever is the highest that it can support. See 145.2.8. The returned value is based on all previous do_classification_pri function calls since the last time in DETECT_EVAL_PRI or CLASS_RESET_PRI. See Table 145–27 for a determination of the PD requested Class.

Values:

- 1: Class 1
- 2: Class 2
- 3: Class 3
- 4: Class 4
- 5: Class 5

pse_allocated_pwr_pri: This variable indicates the Class assigned to the PD for the Primary Alternative. The returned value is based on all previous do_classification_pri function calls since the last time in DETECT_EVAL_PRI or CLASS_RESET_PRI. See Table 145–11 for a determination of the PSE assigned Class.

Values:

- 1: Class 1
- 2: Class 2
- 3: Class 3
- 4: Class 4
- 5: Class 5

pd_class_sig_pri: The PD class signature seen on the negative pair associated with the Primary Alternative during the most recent class event; see Table 145–13 and 145.2.8.

Values:

- 0: class signature 0
- 1: class signature 1
- 2: class signature 2
- 3: class signature 3
- 4: class signature 4

do_classification_sec

This function produces the classification event voltage and determines the PD's class signature for the Secondary Alternative. This function returns the following variables for the Secondary Alternative:

pd_req_pwr_sec: This variable indicates the PD requested Class. When a PD requests a higher Class than a PSE can support, the PSE assigns the PD Class 3 or 4, whichever is the highest that it can support. See 145.2.8. The returned value is based on all previous do_classification_sec function calls since the last time in DETECT_EVAL_SEC or CLASS_RESET_SEC. See Table 145–27 for a determination of the PD requested Class.

Values:

- 1: Class 1
- 2: Class 2
- 3: Class 3
- 4: Class 4
- 5: Class 5

`pse_allocated_pwr_sec`: This variable indicates the Class assigned to the PD for the Secondary Alternative. The returned value is based on all previous `do_classification_sec` function calls since the last time in `DETECT_EVAL_SEC` or `CLASS_RESET_SEC`. See Table 145–11 for a determination of the PSE assigned Class.

Values:

1:	Class 1
2:	Class 2
3:	Class 3
4:	Class 4
5:	Class 5

`pd_class_sig_sec`: The PD class signature seen on the negative pair associated with the Secondary Alternative during the most recent class event; see Table 145–13 and 145.2.8.

Values:

0:	class signature 0
1:	class signature 1
2:	class signature 2
3:	class signature 3
4:	class signature 4

`do_cxn_chk`

This function initiates the Connection Check as defined in 145.2.7. This function returns the following variable:

`sig_type`: This variable indicates the PD signature configuration connected to the PI, with respect to 4-pair operation.

Values:

<code>invalid</code> :	Neither a single-signature nor a dual-signature configuration has been found. This includes an open circuit condition on either pairset.
<code>single</code> :	The PSE has determined there is a single-signature PD configuration connected to the PI.
<code>dual</code> :	The PSE has determined there is a dual-signature PD configuration connected to the PI.

`do_detect_pri`

This function returns the following variables (see 145.2.6):

`sig_pri`: This variable indicates the presence or absence of a valid PD detection signature on the Primary Alternative.

Values:

<code>open_circuit</code> :	The PSE has detected an open circuit.
<code>valid</code> :	The PSE has detected a valid PD detection signature.
<code>invalid</code> :	Neither an open circuit nor a valid PD detection signature has been found.

`do_detect_sec`

This function returns the following variables (see 145.2.6):

`sig_sec`: This variable indicates the presence or absence of a valid PD detection signature on the Secondary Alternative.

Values:

<code>open_circuit</code> :	The PSE has detected an open circuit.
<code>valid</code> :	The PSE has detected a valid PD detection signature.
<code>invalid</code> :	Neither an open circuit nor a valid PD detection signature has been found.

do_initialize

This function returns the following variables (see 145.2.5.4):

alt_pri
autoclass_enable
class_4PID_mult_events_pri
class_4PID_mult_events_sec
option_2ev
option_class_probe
option_class_probe_pri
option_class_probe_sec
option_detect_ted
option_detect_ted_pri
option_detect_ted_sec
option_probe_alt_sec
pse_alternative
pse_avail_pwr
pse_avail_pwr_pri
pse_avail_pwr_sec
pse_dll_capable
semi_pwr_en

do_mark

This function produces the classification mark event voltage. This function does not return any variables.

do_mark_pri

This function produces the classification mark event voltage on the Primary Alternative. This function does not return any variables.

do_mark_sec

This function produces the classification mark event voltage on the Secondary Alternative. This function does not return any variables.

do_update_pse_allocated_pwr

A function that updates the pse_allocated_pwr based on the value of PSEAllocatedPowerValue as defined in Table 145–12. This function returns the following variable:

pse_allocated_pwr: See pse_allocated_pwr in 145.2.5.4.

do_update_pse_allocated_pwr_pri

A function that updates the pse_allocated_pwr_pri value based on the value of PSEAllocatedPowerValue_alt(X) as defined in Table 145–12. This function returns the following variable:

pse_allocated_pwr_pri: See pse_allocated_pwr_pri in 145.2.5.4.

do_update_pse_allocated_pwr_sec

A function that updates the pse_allocated_pwr_sec value based on the value of PSEAllocatedPowerValue_alt(X) as defined in Table 145–12. This function returns the following variable:

pse_allocated_pwr_sec: See pse_allocated_pwr_sec in 145.2.5.4.

145.2.5.7 State diagrams

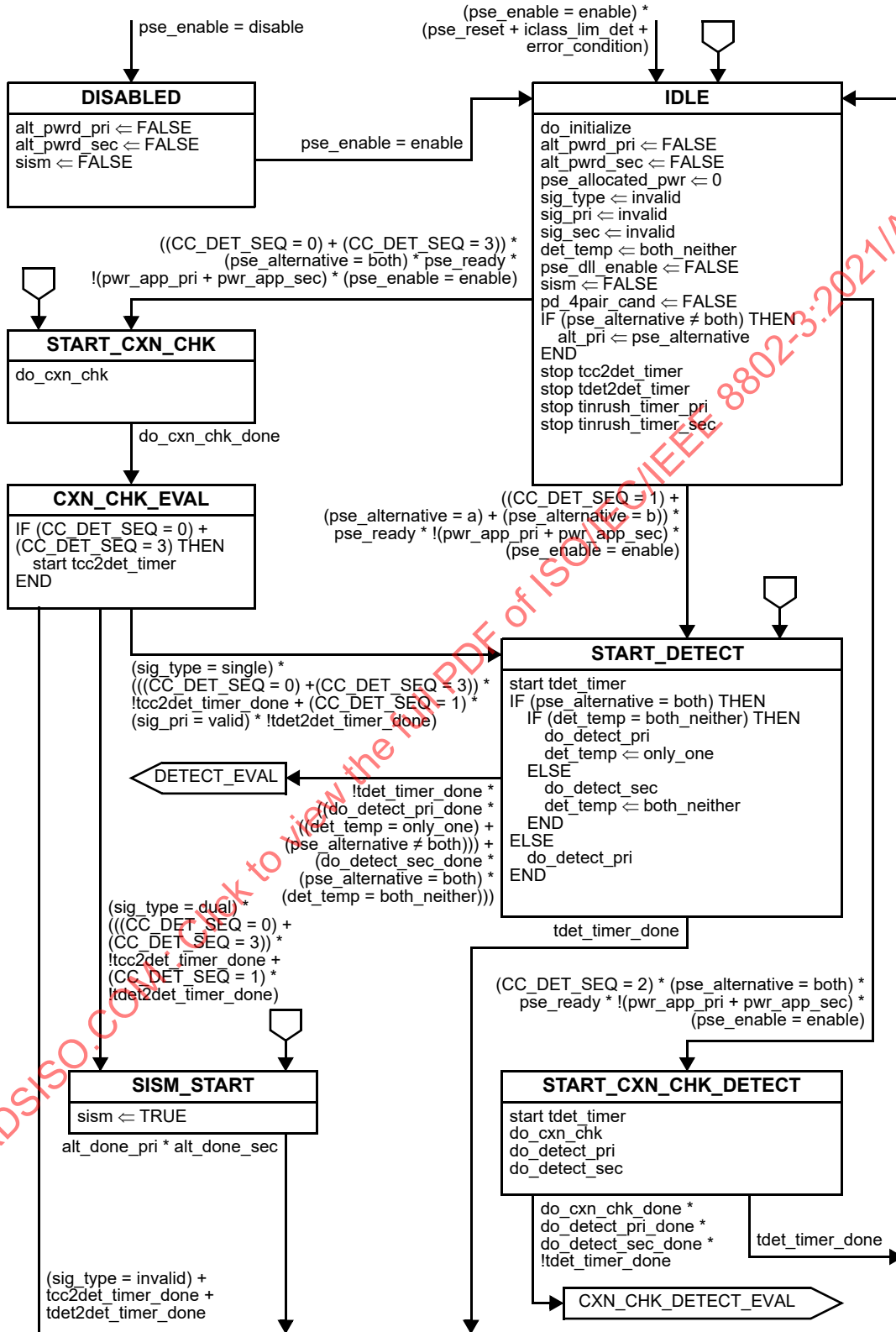


Figure 145–13—Top level PSE state diagram

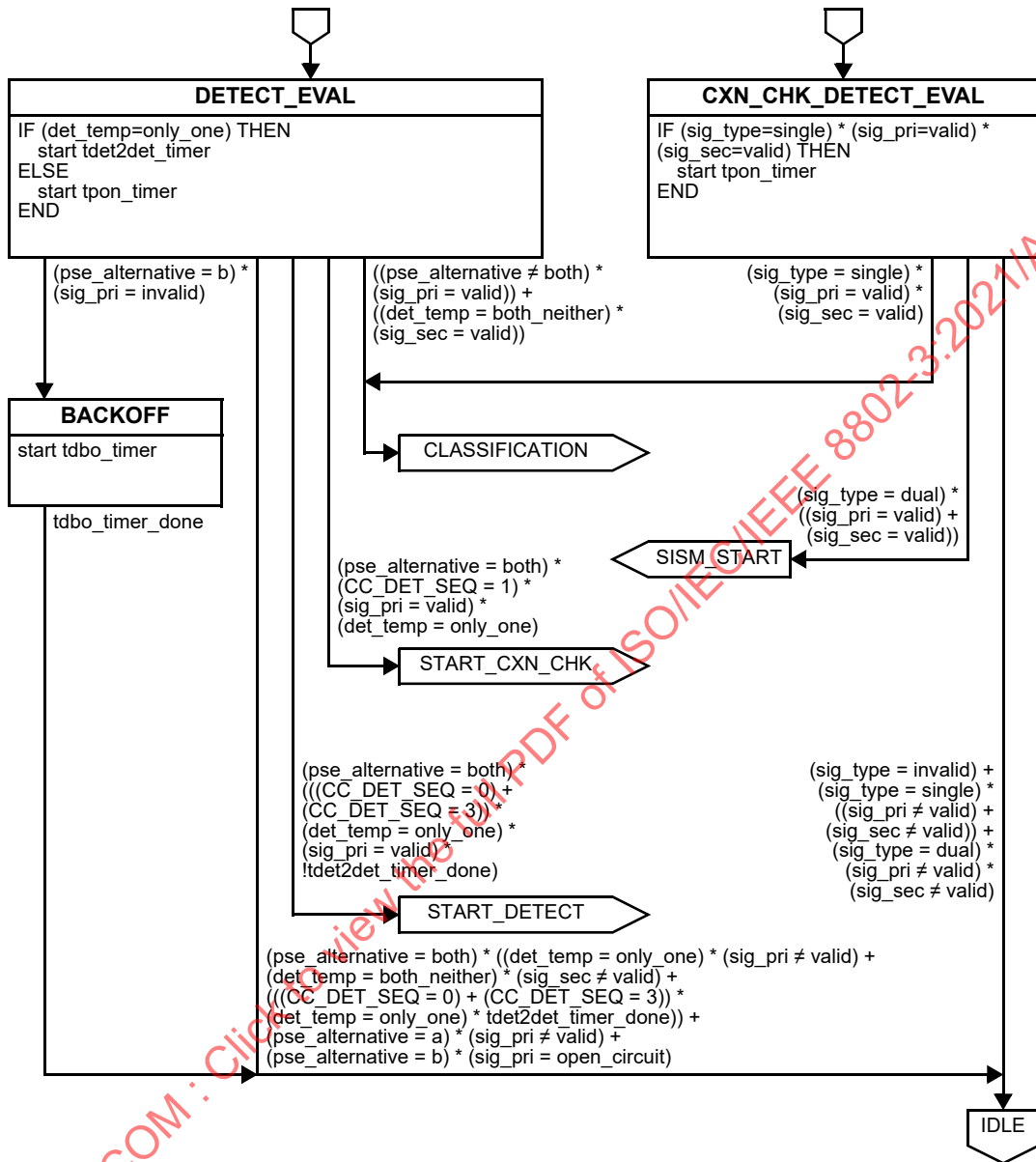


Figure 145-13—Top level PSE state diagram (continued)

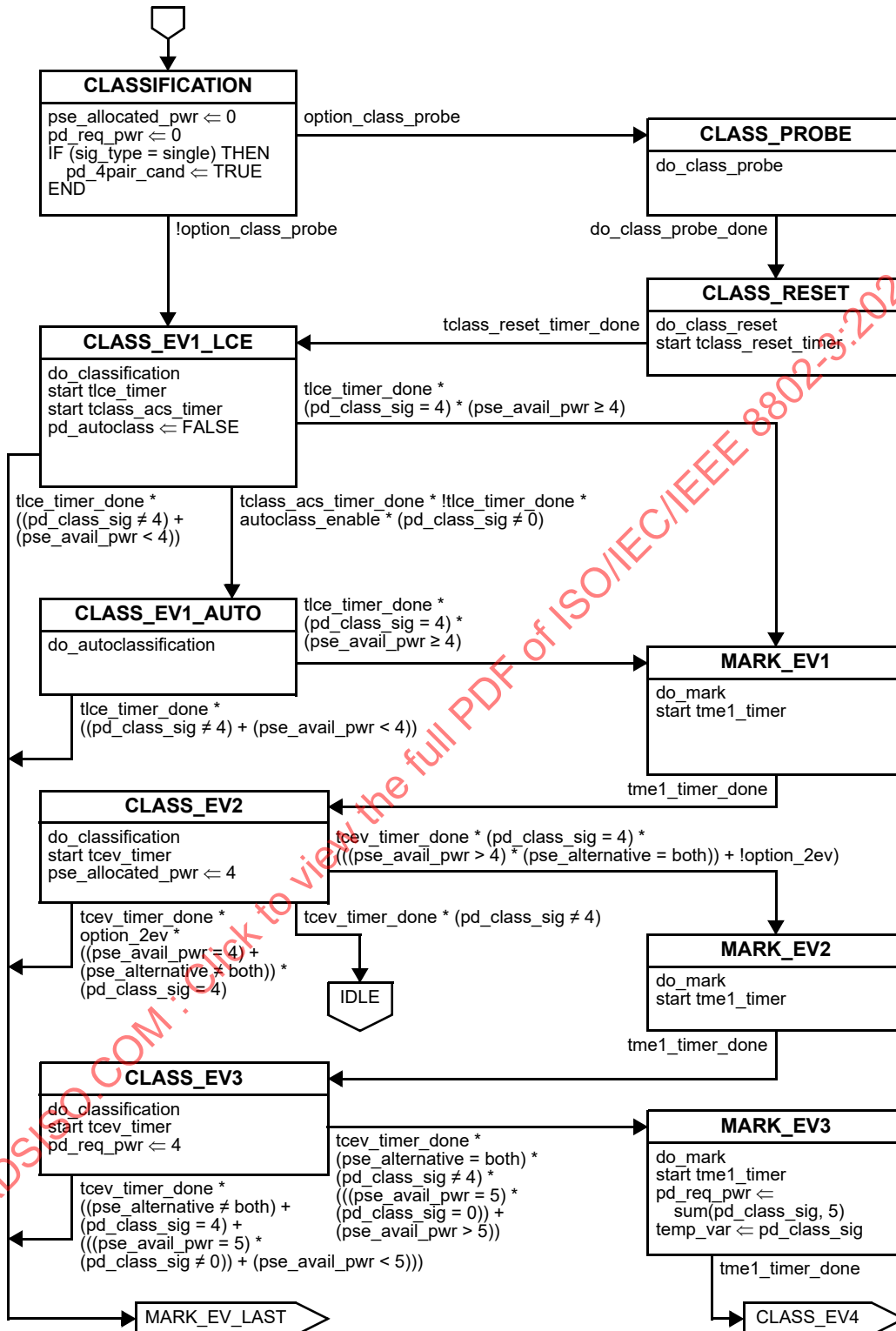


Figure 145-13—Top level PSE state diagram (continued)

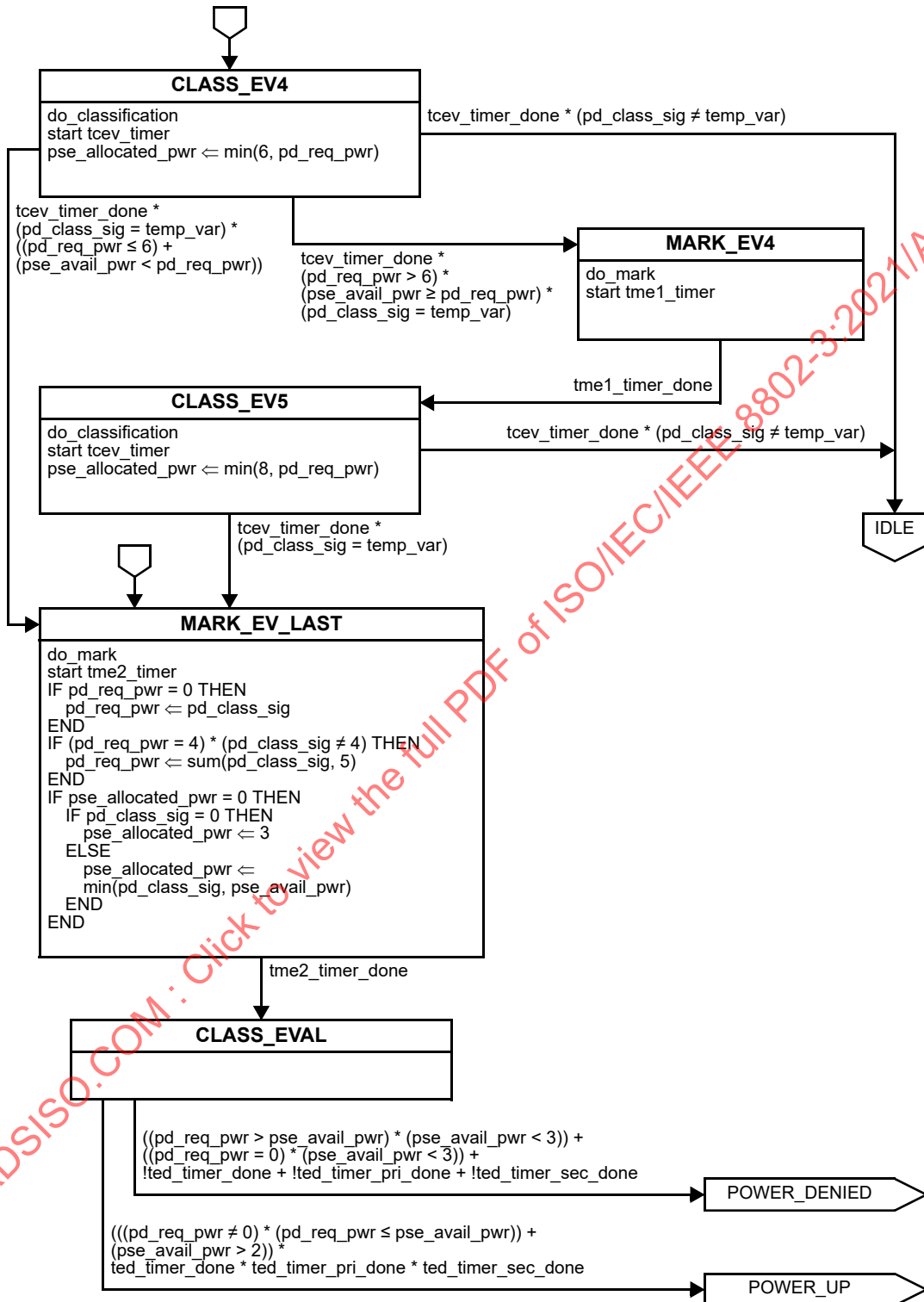


Figure 145–13—Top level PSE state diagram (continued)

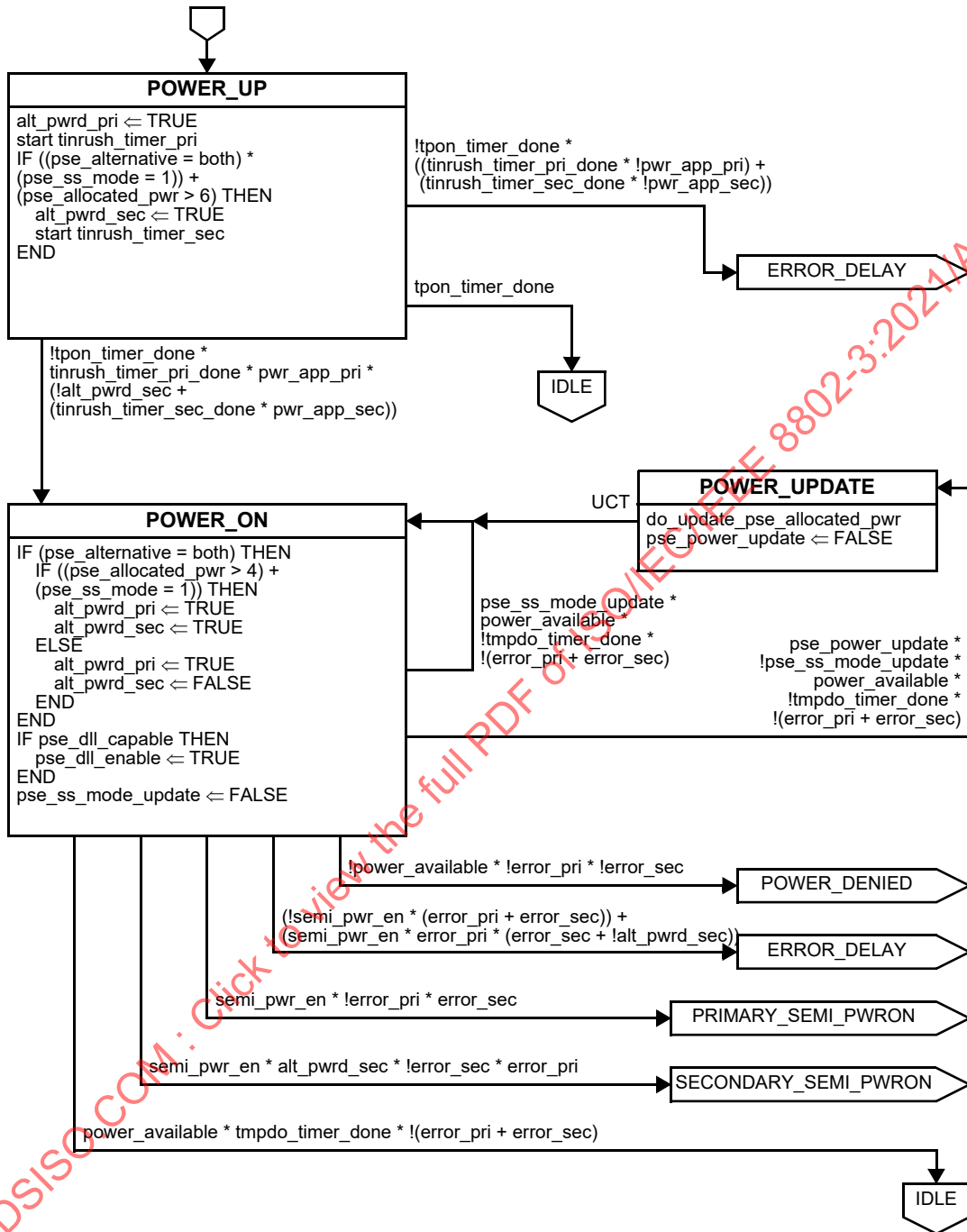


Figure 145–13—Top level PSE state diagram (continued)

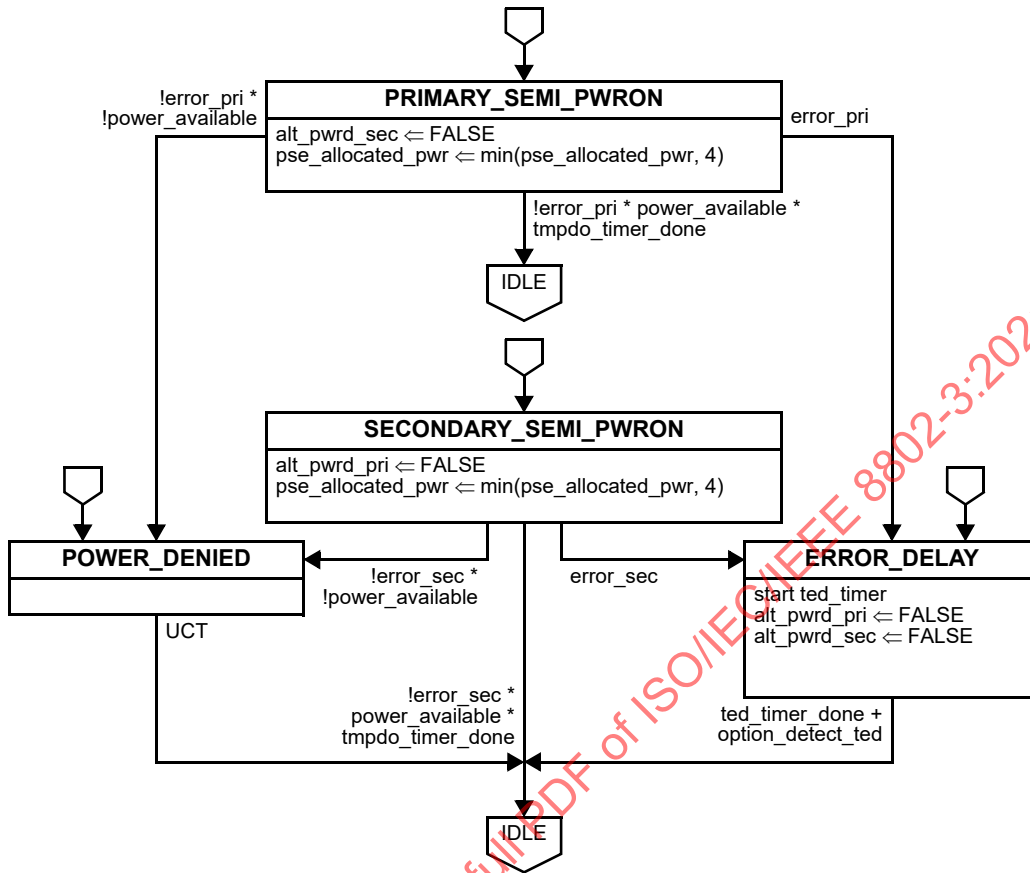


Figure 145-13—Top level PSE state diagram (continued)

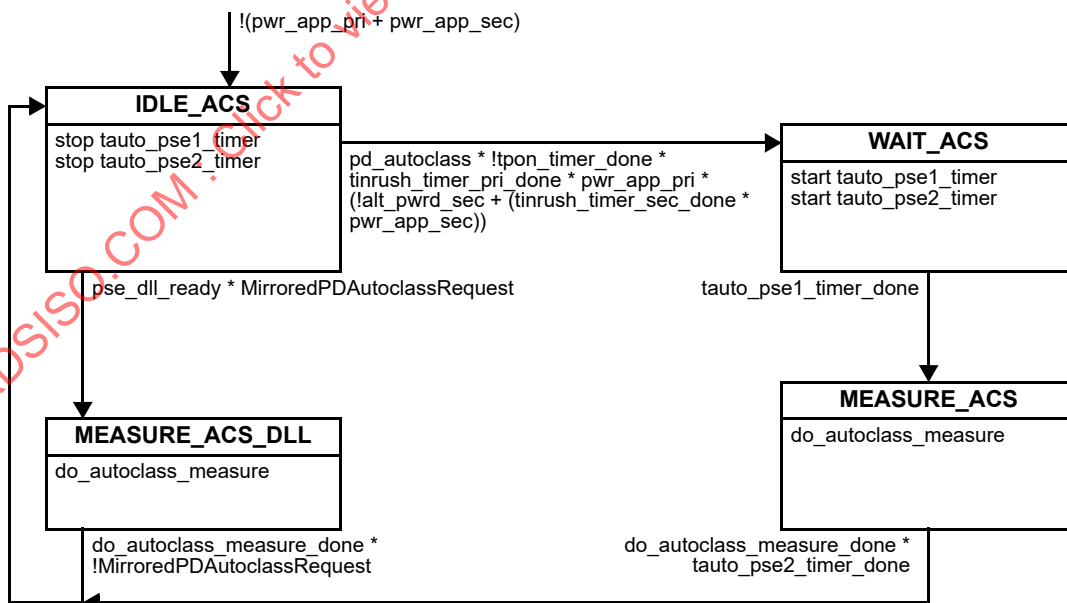


Figure 145-14—PSE Autoclass state diagram

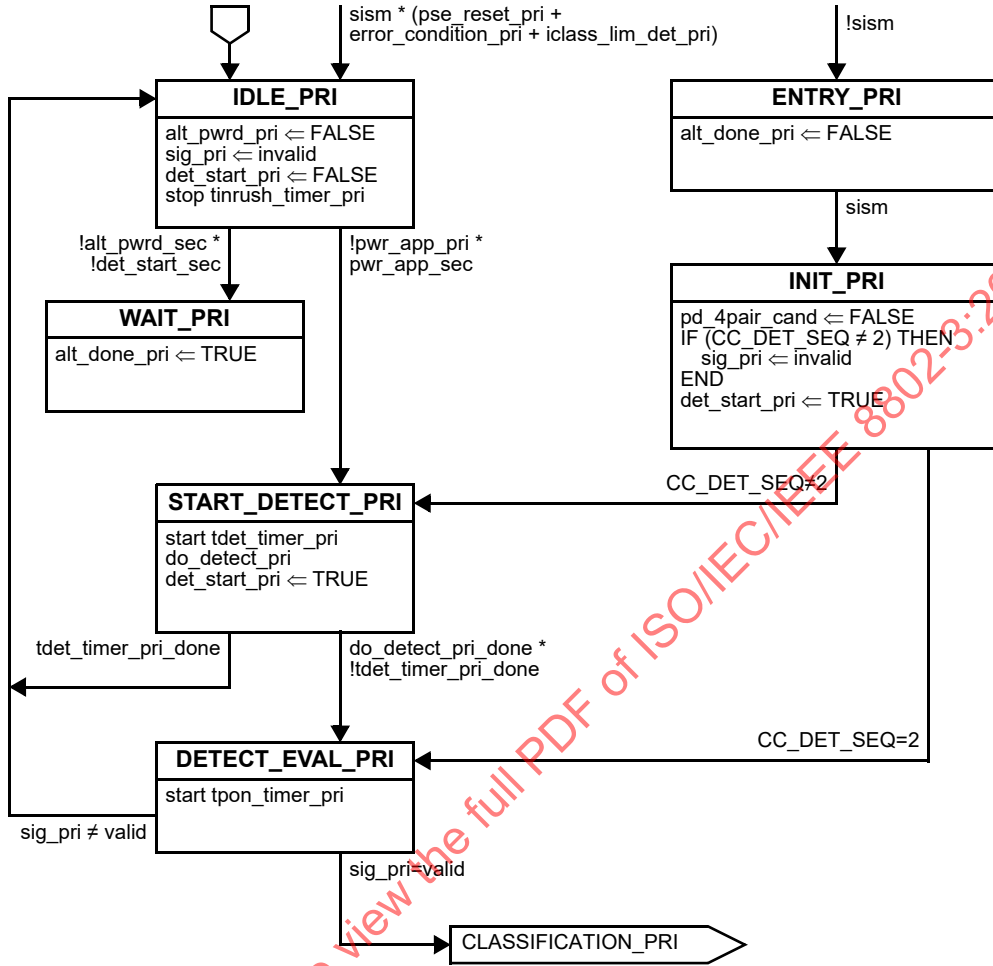


Figure 145-15—Primary Alternative dual-signature semi-independent PSE state diagram

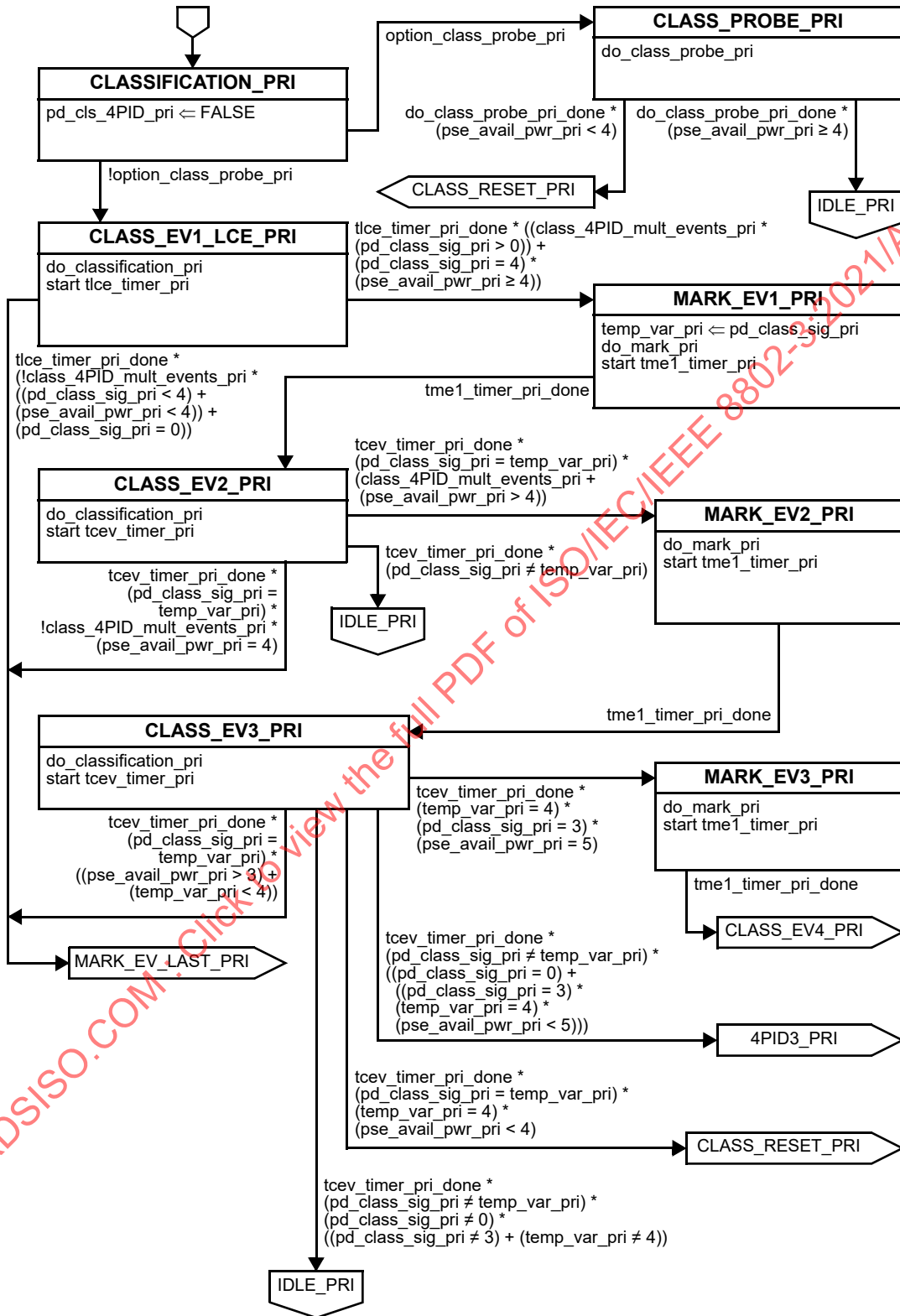


Figure 145–15—Primary Alternative dual-signature semi-independent PSE state diagram (continued)

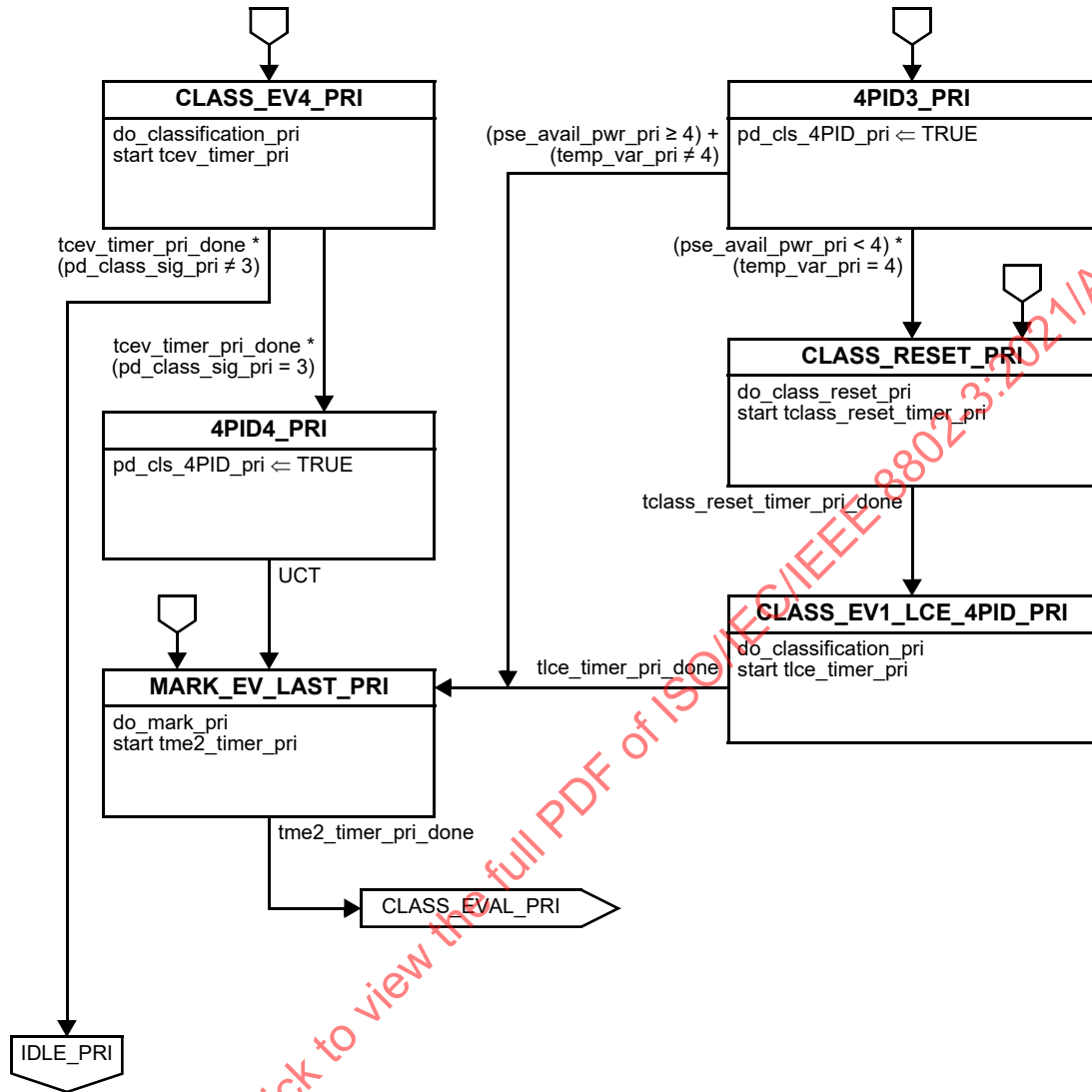


Figure 145–15—Primary Alternative dual-signature semi-independent PSE state diagram (continued)

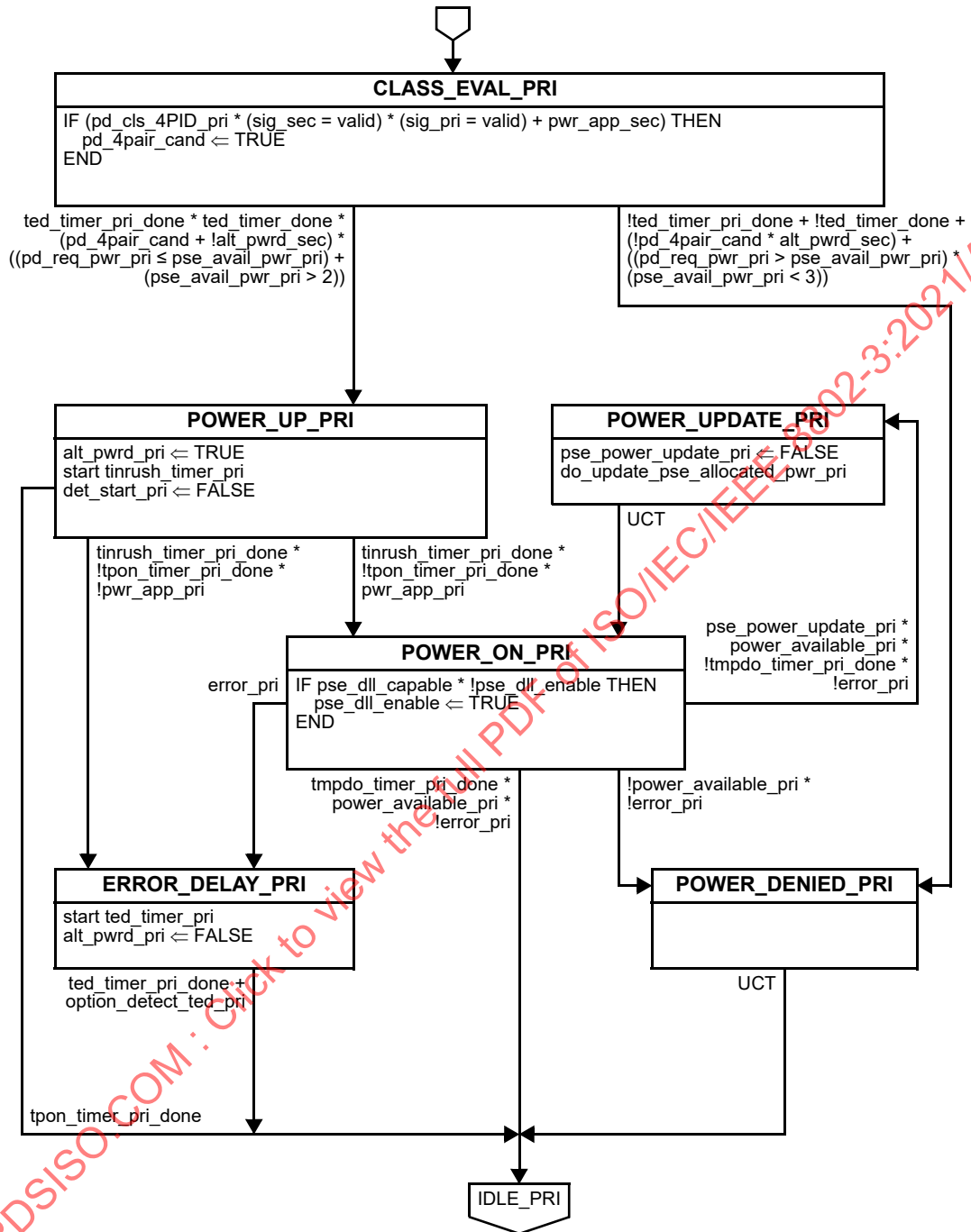


Figure 145–15—Primary Alternative dual-signature semi-independent PSE state diagram (continued)

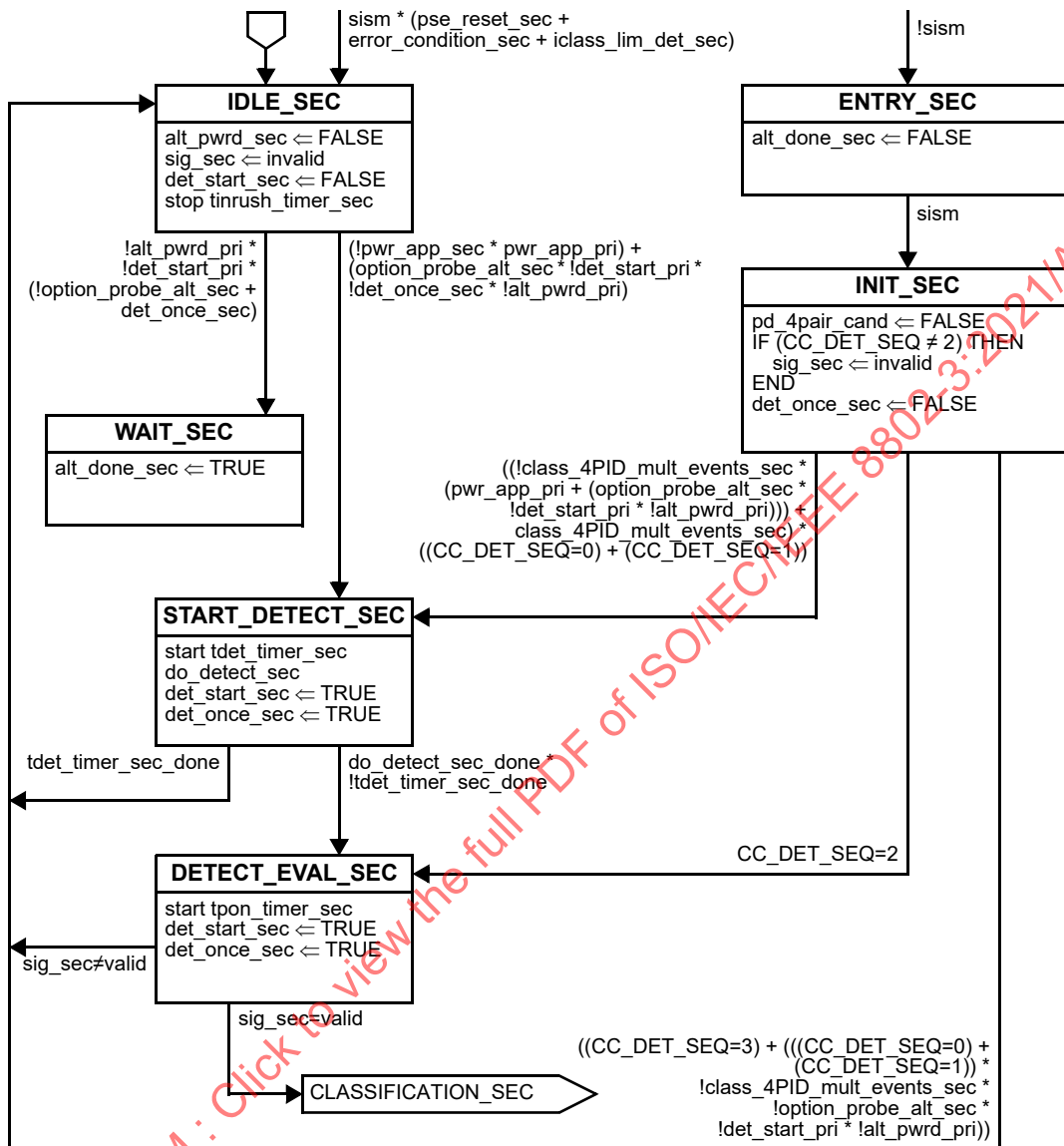


Figure 145-16—Secondary Alternative dual-signature semi-independent PSE state diagram

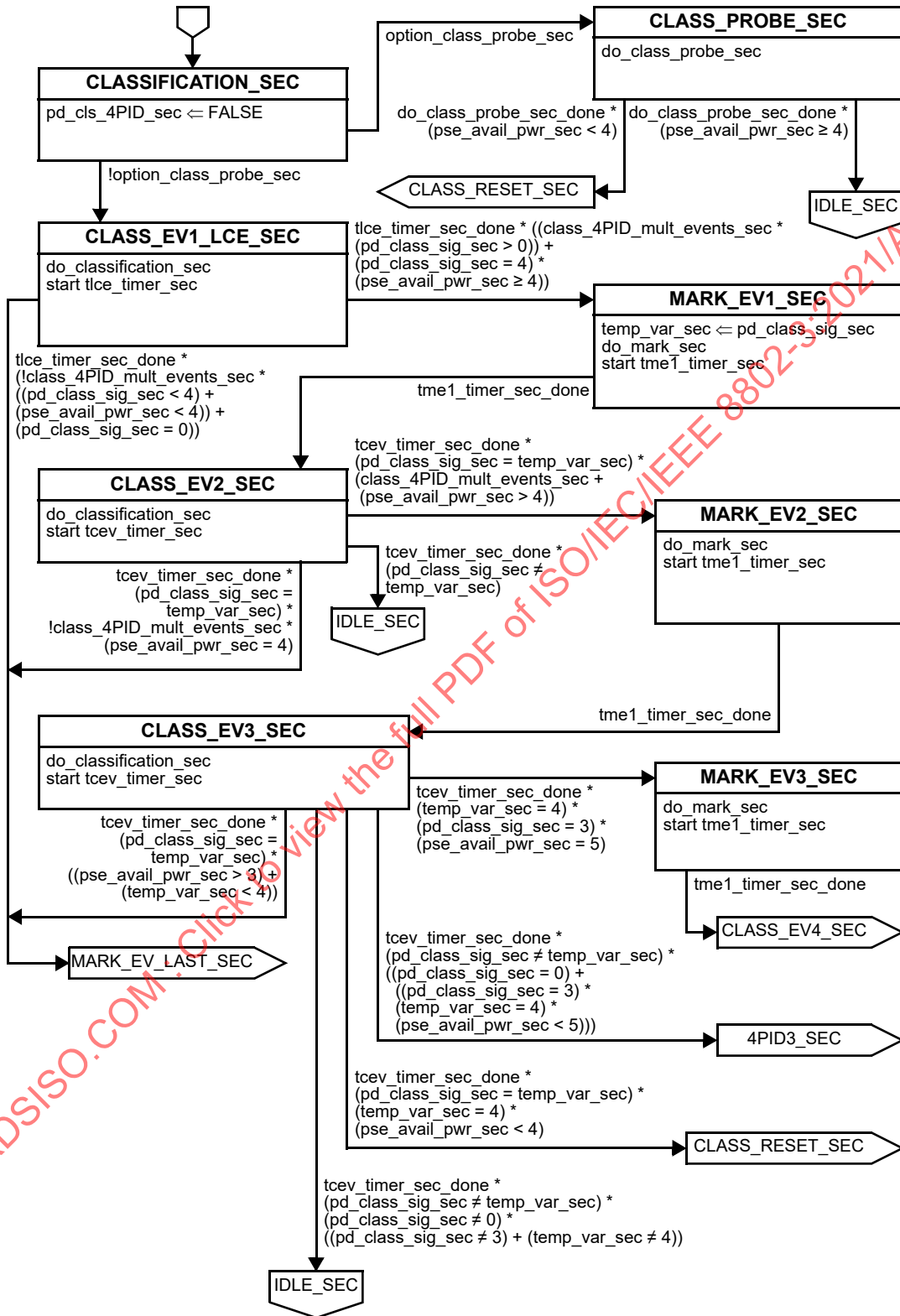


Figure 145-16—Secondary Alternative dual-signature semi-independent PSE state diagram (continued)

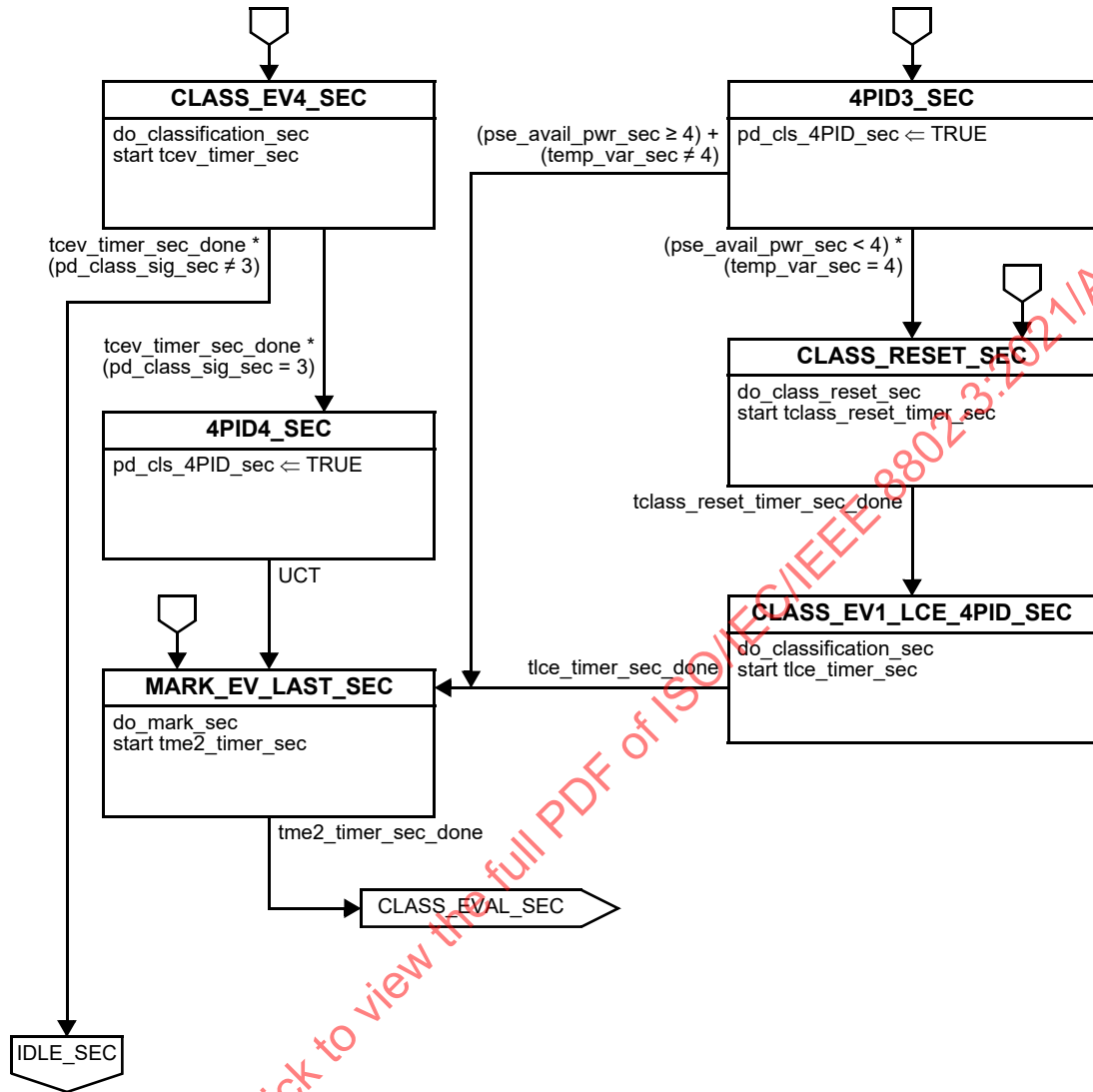


Figure 145-16—Secondary Alternative dual-signature semi-independent PSE state diagram (continued)

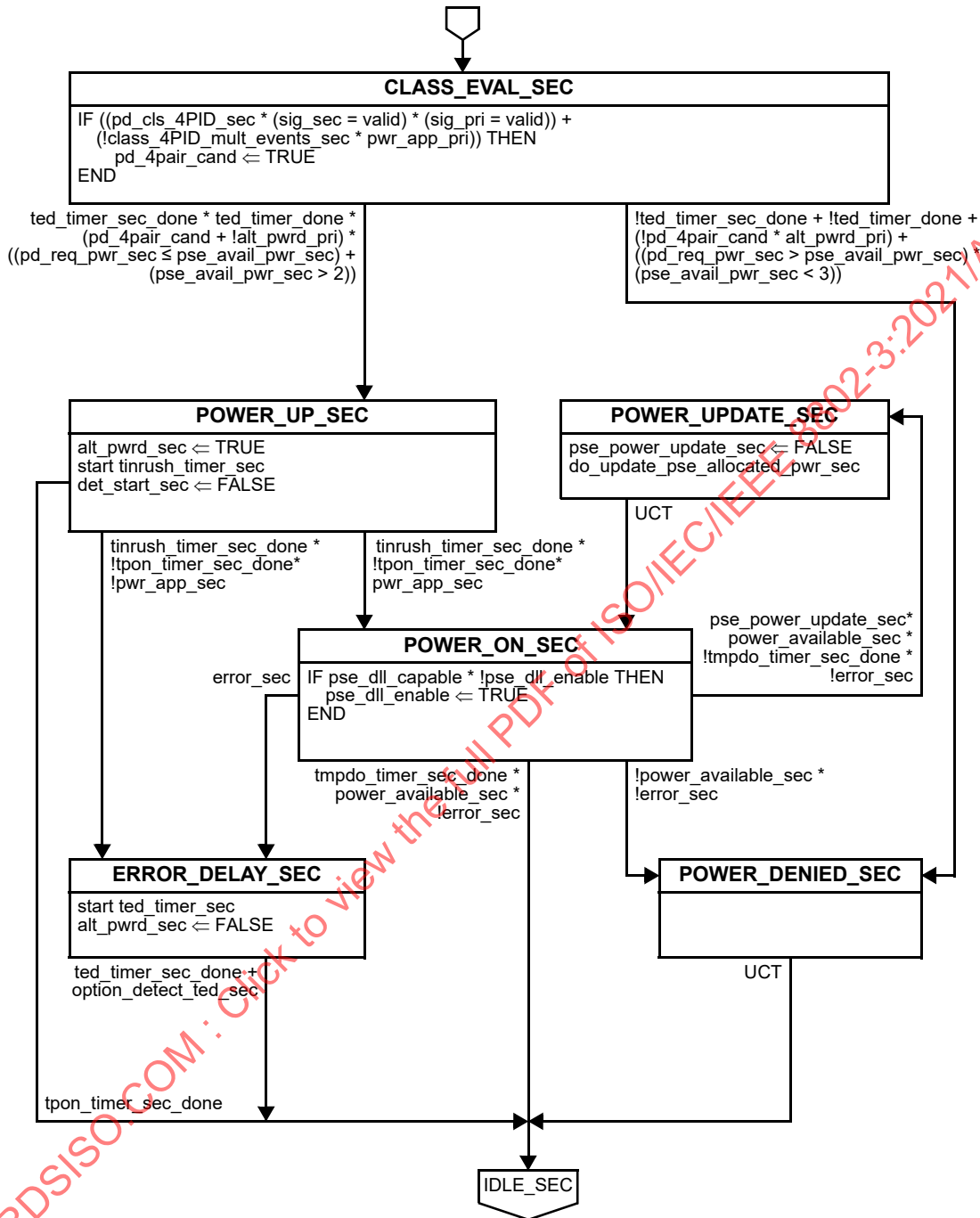


Figure 145–16—Secondary Alternative dual-signature semi-independent PSE state diagram (continued)

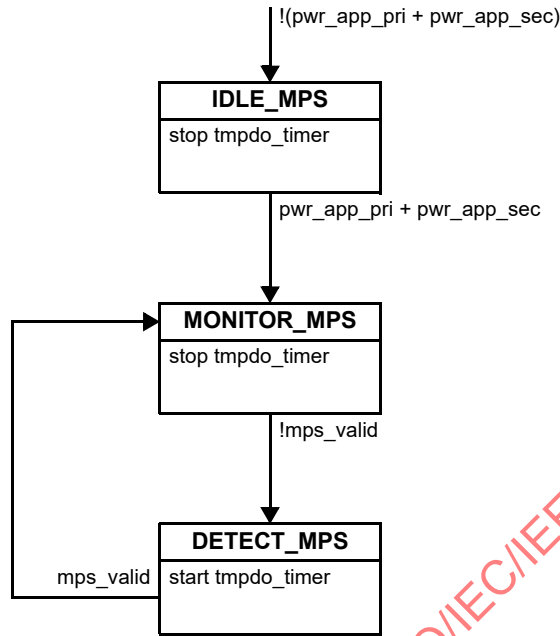


Figure 145–17—PSE MPS monitor state diagram for single-signature PDs or 2-pair operation

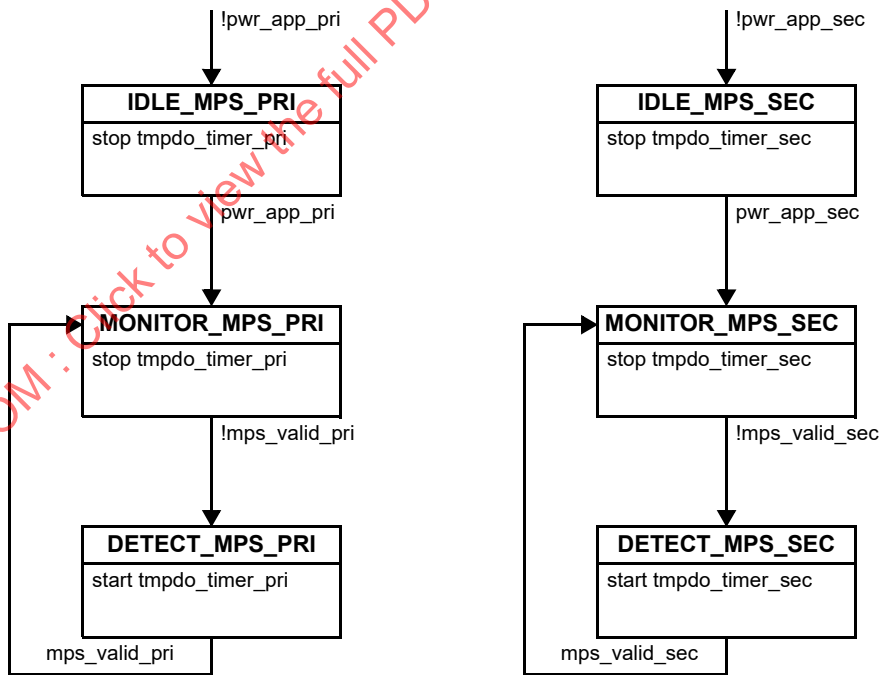


Figure 145–18—PSE MPS monitor state diagram for dual-signature PDs

145.2.6 PSE detection of PDs

The PSE shall not apply operating voltage to a pairset until the PSE has successfully detected a valid signature over that pairset. When a PSE is already in POWER_ON, it may transition between 2-pair and 4-pair power without redoing detection as described in 145.2.10.1.

The PSE PI is connected to a PD through a link section. The PSE probes the link section in order to detect a valid PD detection signature. In the following subclauses, the link is not called out to preserve clarity.

The PSE is not required to continuously probe to detect a PD detection signature. The period of time when a PSE is not attempting to detect a PD detection signature is implementation dependent. Also, a PSE may successfully detect a PD or detect and classify a PD, but then opt not to power the detected PD.

A PSE detecting an invalid PD signature on either Alternative may perform detection on the other Alternative, and if valid may perform classification on that pairset.

145.2.6.1 PSE detection validation circuit

The PSE shall detect the PD by probing via the PSE PI. The PSE shall present a non-valid PD detection signature as defined in Table 145–22 when probed in either polarity by another PSE. An illustrative embodiment of a detection circuit is shown in Figure 145–19.

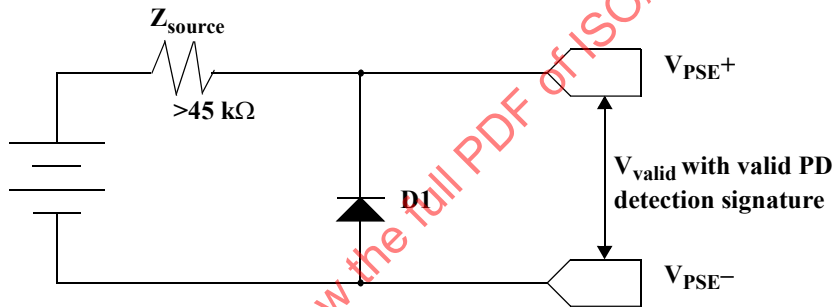


Figure 145–19—PSE detection source

A functional equivalent of the detection circuit that has no source impedance limitation but restricts the PSE detection circuit to the first quadrant is shown in Figure 145–20.

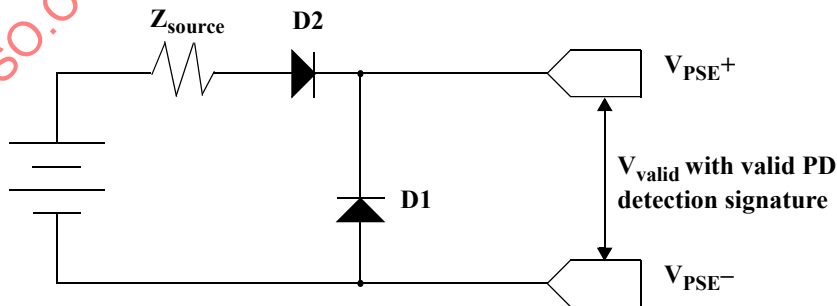


Figure 145–20—Alternative PSE detection source

In Figure 145–19 and Figure 145–20, the diode D1 presents a non-valid PD detection signature for a reversed voltage PSE to PSE connection.

The open circuit voltage and short circuit current shall meet the specifications in Table 145–7. The PSE shall not be damaged by up to 5 mA backdriven current over the range of V_{oc} as defined in Table 145–7. Output capacitance shall be as defined in Table 145–7 when V_{PSE} is in the range of 0 V to V_{valid} max.

145.2.6.2 Detection probe requirements

The detection voltage at the PSE PI shall be within the V_{valid} voltage range, as defined in Table 145–7, with a valid PD detection signature connected, as defined in Table 145–21.

Table 145–7—PSE PI per pairset detection state electrical requirements

Item	Parameter	Symbol	Unit	Min	Max
1	Open circuit voltage	V_{oc}	V	0	30
2	Short circuit current	I_{sc}	mA		5
3	Valid test voltage	V_{valid}	V	2.8	10
4	Voltage difference between test points	ΔV_{test}	V	1	—
5	Slew rate	V_{slew}	V/ μ s	—	0.1
6	Pairset output capacitance	C_{out}	nF	—	520

In evaluating the presence of a valid PD, the PSE shall make at least two measurements with V_{PSE} values that create at least a ΔV_{test} difference as defined in Table 145–7. An effective resistance is calculated from two or more measurements made during the detection process.

The resistance is calculated with Equation (145–1):

$$R = \left\{ \frac{(V_2 - V_1)}{(I_2 - I_1)} \right\}_{\Omega} \tag{145-1}$$

where

- V_1 and V_2 are the first and second voltage measurements made on the pairset, respectively
- I_1 and I_2 are the first and second current measurements made on the negative pair of the pairset, respectively
- R is the effective resistance

Attached PI capacitance may be determined using these measurements and the port RC time-constant charging characteristics.

NOTE—Settling time before voltage or current measurement: the voltage or current measurement should be taken after V_{PSE} has settled to within 1 % of its steady state condition with a valid PD detection signature connected (as defined in Table 145–21).

The PSE shall control the slew rate of the probing detection voltage when switching between detection voltages to be less than V_{slew} as defined in Table 145–7.

145.2.6.3 Detection criteria

A PSE shall accept as a valid PD detection signature a pairset with all of the characteristics specified in Table 145–8.

Table 145–8—Valid PD detection signature electrical characteristics, as measured at the PSE PI

Item	Parameter	Symbol	Unit	Min	Max	Additional information
1	Accept signature resistance	R_{good}	$k\Omega$	19	26.5	—
2	Accept signature capacitance	C_{good}	μF	—	0.15	—
3	Signature offset voltage tolerance	V_{os}	V	0	2	—
4	Signature offset current tolerance	I_{os}	μA	0	12	—

145.2.6.4 Rejection criteria

The PSE shall reject as an invalid detection signature, a pairset which exhibits any of the following characteristics:

- a) Resistance less than or equal to R_{bad} min, or
- b) Resistance greater than or equal to R_{bad} max, or
- c) Capacitance greater than or equal to C_{bad} min.

R_{bad} min, R_{bad} max, and C_{bad} min are defined in Table 145–9.

NOTE—Detection and rejection criteria for Clause 145 remain unchanged from Clause 33, for the purpose of maintaining interoperability with Clause 33 devices (see also 145.2.6.3).

A PSE may accept or reject a signature resistance in the band between R_{good} min and R_{bad} min, and in the band between R_{good} max and R_{bad} max. A PSE may accept or reject a parallel signature capacitance in the band between C_{good} max and C_{bad} min.

In instances where the resistance and capacitance meet the detection criteria, but one or both of the offsets are exceeded, the detection behavior of the PSE is undefined.

Table 145–9—Invalid PD detection signature electrical characteristics, as measured at the PSE PI

Item	Parameter	Symbol	Unit	Min	Max	Additional information
1	Reject signature resistance	R_{bad}	$k\Omega$	15	33	—
2	Reject signature capacitance	C_{bad}	μF	10	—	—
3	Open circuit resistance	R_{open}	$M\Omega$	0.5	—	—

145.2.6.5 Open circuit criteria

If a PSE that is performing detection using Alternative B (see 145.2.4) determines that the impedance at the PI is greater than R_{open} as defined in Table 145–9, it may optionally consider the link to be open circuit and omit the $tdbo_timer$ interval.

145.2.7 Connection check

PSEs that will source power on both pairsets shall complete a connection check prior to the classification of a PD as defined in 145.2.8 to determine if the PSE is connected to a single-signature PD configuration, a dual-signature PD configuration, or neither.

NOTE—When a link segment is connected to an MDI, not all contacts are made simultaneously. A link segment connection or removal may occur at any time during connection check. PSE implementations should take these considerations into account.

During connection check the PSE shall meet the specifications for open circuit voltage, V_{oc} , and short circuit current, I_{sc} , in Table 145–7. The connection check voltage at the PSE PI shall be within the V_{valid} voltage range, as defined in Table 145–7, when a single-signature PD or a dual-signature PD is connected.

The specification of T_{cc2det} , defined in Table 145–10, applies to the time between the end of connection check and the beginning of detection on at least one pairset. If the connection check takes place after the beginning of detection, this specification does not apply.

The specification of $T_{det2det}$, defined in Table 145–10, applies to the time between the end of detection on the first pairset to the beginning of detection on the other pairset when the second detection occurs before power up on the first pairset.

Table 145–10—Connection check timing requirements

Item	Parameter	Symbol	Unit	Min	Max	Additional Information
1	Connection check to detection time	T_{cc2det}	s	—	0.4	Applies only when connection check is performed before the start of detection.
2	Detection to detection time	$T_{det2det}$	s	—	0.4	—

The connection check is rerun before applying power if power up fails to meet the timing requirements in both Table 145–10 and 145.2.10.14 or if power is absent on both pairsets simultaneously.

If the voltage on either pairset rises above $V_{valid\ max}$, as defined in Table 145–7, during connection check, the PSE shall reset the PD by bringing the voltage at the PI below $V_{off\ max}$, as defined in Table 145–16, for at least T_{Reset} , as defined in Table 145–14, before performing classification.

145.2.8 PSE classification of PDs and mutual identification

The ability for the PSE to query the PD in order to determine the power requirements of that PD is called classification. The interrogation and power classification function is intended to establish mutual identification and is intended for use with advanced features such as power management.

Mutual identification is the mechanism that allows a PSE to differentiate between Type 1, Type 2, Type 3, and Type 4 PDs. Additionally, mutual identification allows PDs to differentiate between Type 1, Type 2, Type 3, and Type 4 PSEs.

There are two forms of classification: Multiple-Event Physical Layer classification and Data Link Layer (DLL) classification.

Physical Layer classification occurs after a valid detection and before a PSE supplies power to a PD, when the PSE asserts a voltage in the range of V_{Class} as defined in Table 145–14 onto one or both pairsets. This is called a class event. The PD responds to each class event with a current representing one of a limited number of class signatures. The class signatures generated by the PD indicate the PD requested Class. See Table 145–26 and Table 145–27 for a mapping of class signature to the PD requested Class.

NOTE—Requested Class 0 is not defined for Type 3 PDs. A Type 1 PD that does not implement Physical Layer classification requests Class 0, with a power level equivalent to Class 3. Such PDs are assigned to Class 3 by Type 3 and Type 4 PSEs.

The assigned Class is the result of the PD requested Class and the number of class events produced by the PSE as shown in Table 145–11. See 145.3.6 for PD classification behavior.

When a single-signature PD requests a higher Class than a PSE can support, the PSE assigns the PD Class 3, 4, or 6, whichever is the highest that it can support. When a dual-signature PD requests a higher Class than a PSE can support, the PSE assigns the PD Class 3 or 4, whichever is the highest that it can support. The minimum output power a PSE supports depends on the assigned Class.

The minimum output power a PSE supports when powering a single-signature PD, or supplying power in 2-pair mode, is defined by Equation (145–2). PSE implementations may use $V_{PSE} = V_{Port_PSE-2P\ min}$ and $R_{Chan-2P} = R_{Ch}$ when the assigned Class is 1 through 4, or $R_{Chan} = R_{Ch}/2$ when the assigned Class is 5 through 8 to arrive at over-margined values as shown in Table 145–11. P_{Class} may subsequently be adjusted using Data Link Layer classification.

$$P_{Class} = \left\{ \begin{array}{l} V_{PSE} \times \left(\frac{V_{PSE} - \sqrt{V_{PSE}^2 - 4 \times R_{Chan-2P} \times P_{Class_PD}}}{2 \times R_{Chan-2P}} \right) \text{ for assigned Class 1 through 4} \\ V_{PSE} \times \left(\frac{V_{PSE} - \sqrt{V_{PSE}^2 - 4 \times R_{Chan} \times P_{Class_PD}}}{2 \times R_{Chan}} \right) \text{ for assigned Class 5 through 8} \end{array} \right\}_w \quad (145-2)$$

where

- V_{PSE} is the voltage across the pairset at the PSE PI as defined in 145.1.3
- R_{Chan} is the link section DC loop resistance
- $R_{Chan-2P}$ is the pairset DC loop resistance
- P_{Class_PD} is the maximum power at the PD PI per the PDs assigned Class, as defined in Table 145–29

When connected to a dual-signature PD, a PSE operating over 4 pairs treats the requested power over each pairset independently. The minimum output power a PSE supports on a pairset when powering a dual-signature PD is defined by Equation (145–3). PSE implementations may use $V_{PSE} = V_{Port_PSE-2P\ min}$ and $R_{Chan-2P} = R_{Ch}$ to arrive at over-margined values as shown in Table 145–11. $P_{Class-2P}$ may subsequently be adjusted using Data Link Layer classification or Autoclass.

$$P_{Class-2P} = \left\{ V_{PSE} \times \left(\frac{V_{PSE} - \sqrt{V_{PSE}^2 - 4 \times R_{Chan-2P} \times P_{Class_PD-2P}}}{2 \times R_{Chan-2P}} \right) \right\}_W \quad (145-3)$$

where

- V_{PSE} is the voltage across the pairset at the PSE PI as defined in 145.1.3
- $R_{Chan-2P}$ is the pairset DC loop resistance
- P_{Class_PD-2P} is the maximum power at the PD PI for a pairset per the PDs assigned Class, as defined in Table 145–29

P_{Class} and $P_{Class-2P}$ are valid over the range of V_{Port_PSE-2P} defined in Table 145–16.

If the PD connected to the PSE performs Autoclass (see 145.2.8.2 and 145.3.6.2), the PSE may set the minimum supported output power based on $P_{Autoclass}$, the power drawn during the Autoclass measurement window. $P_{Autoclass}$ shall be increased by at least P_{ac_margin} , as defined in Table 145–15, in order to account for potential increase in link section resistance due to temperature increase, up to the value defined in Table 145–11 of the Class assigned to the PD, and with a minimum power allocation of Class 1.

When the PSE assigns Class 5 through 8 prior to a fault and then transitions to PRIMARY_SEMI_PWRON or SECONDARY_SEMI_PWRON, it shall revert the allocation of power to Class 4 and assert local_system_change to update PSEAllocatedPowerValue.

A PSE that measured $P_{Autoclass}$ while providing power over 4 pairs, shall increase the power allocation by at least P_{ac_extra} , as defined in Equation (145–4), when it provides power over 2 pairs.

$$P_{ac_extra} = \left\{ \left(\frac{P_{Autoclass}}{V_{Port_PSE-2P\ min}} \right)^2 \times \frac{R_{Ch}}{2} \right\}_W \quad (145-4)$$

where

- $P_{Autoclass}$ is the amount of power measured by the PSE during the Autoclass measurement
- $V_{Port_PSE-2P\ min}$ is the minimum PSE operating voltage
- R_{Ch} is the maximum pairset DC loop resistance, as defined in Table 145–1

Table 145–11—Physical Layer power classifications

PD Requested Class	Number of PSE class events	Assigned Class	P _{Class}	P _{Class-2P}
PSEs connected to a single-signature PD				
1	1	1	4 W	—
2	1	2	6.7 W	—
0, 3 to 8	1	3	14 W	—
4 to 8	2 or 3	4	30 W	—
5	4	5	45 W	—
6 to 8	4	6	60 W	—
7	5	7	75 W	—
8	5	8	90 W	—
PSEs connected to a dual-signature PD (classification per pairset)				
1	1, 2, or 3	1	—	4 W
2	1, 2, or 3	2	—	6.7 W
3	1, 2, or 3	3	—	14 W
4 or 5	1	3	—	14 W
4 or 5	2 or 3	4	—	30 W
5	4	5	—	45 W
NOTE 1—P _{Class} in Table 145–11 is the minimum required power at the PSE PI calculated using minimum V _{Port PSE-2P} and maximum R _{Chan} . Use Equation (145–2) for other values of V _{Port PSE-2P} and R _{Chan} . For PD requested power levels, see Table 145–26. NOTE 2—P _{Class-2P} in Table 145–11 is the minimum required power for a pairset calculated using minimum V _{Port PSE-2P} and maximum R _{Chan-2P} . Use Equation (145–3) for other values of V _{Port PSE-2P} and R _{Chan-2P} . For PD requested power levels, see Table 145–27. NOTE 3—The number of PSE class events refers to the number of class events since the most recent PD reset. NOTE 4—The values of P _{Class} and P _{Class-2P} are calculated for the lowest Type PSE that is able to support that power level.				

With Data Link Layer classification, the PSE and PD communicate using the Data Link Layer Protocol (see 145.5) after the data link is established. The Data Link Layer classification has finer power resolution and the ability for the PSE and PD to participate in dynamic power allocation wherein allocated power to the PD may change one or more times during PD operation. Data Link Layer classification takes precedence over Physical Layer classification.

After a successful DLL classification, the assigned Class changes depending on the value of the PSEAllocatedPowerValue or PSEAllocatedPowerValue_alt(X) variable, as defined in Table 145–12. The PSEAllocatedPowerValue or PSEAllocatedPowerValue_alt(X) values correspond with the maximum power a PD may draw, P_{Class_PD} or P_{Class_PD-2P} respectively; see Table 145–29 and 145.5.3.2.2.

Subsequent to successful detection, PSEs shall perform Multiple-Event Physical Layer classification and may perform Data Link Layer classification. PSEs that will source power over 4-pair to a dual-signature PD shall perform Physical Layer classification on each pairset.

Table 145–12—Relation of assigned Class and DLL

Single-signature		Dual-signature	
PSEAllocatedPowerValue	Assigned Class	PSEAllocatedPowerValue_alt(X)	Assigned Class on Alternative X
1 to 39	1	1 to 39	1
40 to 65	2	40 to 65	2
66 to 130	3	66 to 130	3
131 to 255	4	131 to 255	4
256 to 400	5	256 to 499	5
401 to 510	6		
511 to 620	7		
621 to 999	8		

A PSE shall be capable of assigning the highest Class it can support by means of Multiple-Event Physical Layer classification.

A PSE shall return to IDLE if it fails to complete classification after successfully completing detection of a single-signature PD. A PSE shall return to IDLE_PRI or IDLE_SEC, whichever corresponds to the appropriate Alternative, if it successfully completes detection on a pairset of a dual-signature PD but fails to complete classification on that pairset.

145.2.8.1 PSE Multiple-Event Physical Layer classification

Classification consists of a series of classification and mark events as defined in the state diagram in Figure 145–13, Figure 145–15, and Figure 145–16.

Voltages V_{Class} , V_{Mark} , and V_{Reset} and currents I_{Class_LIM} and I_{Mark_LIM} are specified in Table 145–14. PD class signature measurements of I_{Class} are specified in Table 145–13. Classification times, T_{LCE} , T_{CEV} , T_{ME1} , T_{ME2} , T_{Class} , and T_{Reset} are specified in Table 145–14. Autoclass timing, T_{Class_ACS} is specified in Table 145–14. See Annex 145B for more details and timing diagrams.

Type 3 PSEs:

- Shall provide a maximum of four class events and four mark events for single-signature PDs.
- Shall provide a maximum of three class events and three mark events on each pairset for dual-signature PDs.

Type 4 PSEs:

- Shall provide a maximum of five class events and five mark events for single-signature PDs.
- Shall provide a maximum of four class events and four mark events on each pairset for dual-signature PDs.

Table 145–13—Class signatures evaluated at the PSE PI

Measured I_{Class}	Class signature
0 mA to 5 mA	Class signature 0
> 5 mA and < 8 mA	Either class signature 0 or 1
8 mA to 13 mA	Class signature 1
> 13 mA and < 16 mA	Either class signature 1 or 2
16 mA to 21 mA	Class signature 2
> 21 mA and < 25 mA	Either class signature 2 or 3
25 mA to 31 mA	Class signature 3
> 31 mA and < 35 mA	Either class signature 3 or 4
35 mA to 45 mA	Class signature 4
> 45 mA and < 51 mA	Either class signature 4 or invalid class signature

Table 145–14—PSE Physical Layer classification electrical requirements

Item	Parameter	Symbol	Units	Min	Max
1	Class event voltage	V_{Class}	V	15.5	20.5
2	Mark event voltage	V_{Mark}	V	7	10
3	Classification reset voltage	V_{Reset}	V	0	2.8
4	Class event current limitation	I_{Class_LIM}	A	0.051	0.1
5	Mark event current limitation	I_{Mark_LIM}	A	0.005	0.1
6	Classification reset timing	T_{Reset}	ms	15	—
7	Class event I_{Class} measurement timing	T_{Class}	ms	6	—
8	LCE I_{Class} measurement timing	T_{Class_LCE}	ms	T_{Class}	75
9	Autoclass I_{Class} measurement timing	T_{Class_ACS}	ms	88	—
10	Long first class event timing	T_{LCE}	ms	88	105
11	Second through fifth class event timing	T_{CEV}	ms	6	20
12	Mark event timing (except last mark event)	T_{ME1}	ms	6	12
13	Last mark event timing ^a	T_{ME2}	ms	6	—

^a The maximum value of T_{ME2} is limited by T_{pon} , as defined in 145.2.10.14

PSEs connected to a single-signature PD shall issue no more class events than the Class they are able to support and no more than

- One class event when the PD requests Class 0 through 3
- Three class events when the PD requests Class 4
- Four class events when the PD requests Class 5 or 6
- Five class events when the PD requests Class 7 or 8

between the most recent time V_{PSE} was at V_{Reset} for at least T_{Reset} and a transition to any of the power up states.

PSEs connected to a dual-signature PD shall issue, for a given pairset, no more class events than the Class they are able to support and no more than

- Three class events when the PD requests Class 1 through 4 on the given pairset
- Four class events when the PD requests Class 5 on the given pairset

between the most recent time V_{PSE} was at V_{Reset} for at least T_{Reset} and a transition to any of the power up states.

PSEs that issue more class events than the Class they are capable of supporting, in order to determine the PD requested Class, transition to CLASS_RESET to reset the PD's class event count.

When the PSE is in CLASS_EV1_LCE, CLASS_EV1_AUTO, CLASS_EV1_LCE_PRI, CLASS_EV1_LCE_SEC, CLASS_EV1_LCE_4PID_PRI, or CLASS_EV1_LCE_4PID_SEC, it shall provide to the PI or pairset V_{Class} , subject to T_{LCE} timing specification.

The PSE in CLASS_EV1_AUTO shall measure I_{Class} on the negative pair or pairs after T_{Class_ACS} referenced from the application of the first class event, to determine if the PD will perform Autoclass. If the Autoclass enabled PSE in CLASS_EV1_AUTO measures I_{Class} in the range of class signature 0 this indicates the PD will perform Autoclass; see 145.2.8.2 and 145.3.6.2.

When the PSE is in CLASS_EV2, CLASS_EV2_PRI, CLASS_EV2_SEC, CLASS_EV3, CLASS_EV3_PRI, CLASS_EV3_SEC, CLASS_EV4, CLASS_EV4_PRI, CLASS_EV4_SEC, or CLASS_EV5, it shall provide to the PI or pairset V_{Class} , subject to the T_{CEV} timing specification.

In all CLASS states except CLASS_EV1_AUTO, the PSE shall measure I_{Class} on the negative pair or pairs after T_{Class} . This measurement is referenced from the application of V_{Class_min} to ignore initial transients.

The timing specification for PSEs in a DO_CLASS_PROBE state may be reduced to T_{CEV} for all class events.

When the PSE is in MARK_EV1, MARK_EV1_PRI, MARK_EV1_SEC, MARK_EV2, MARK_EV2_PRI, MARK_EV2_SEC, MARK_EV3, MARK_EV3_PRI, MARK_EV3_SEC, or MARK_EV4, it shall provide to the PI or pairset V_{Mark} . The timing specification shall be as defined by T_{ME1} .

When a PSE is in MARK_EV_LAST, MARK_EV_LAST_PRI or MARK_EV_LAST_SEC, it shall provide to the PI or pairset V_{Mark} . The timing specification shall be as defined by T_{ME2} .

The V_{Mark} requirement is to be met with load currents in the range of I_{Mark} as defined in Table 145–25.

NOTE—In a properly operating system, the port may or may not discharge to the V_{Mark} range due to the combination of the overall channel and PD capacitance and PD current loading. This is normal and acceptable system operation. For compliance testing, it is necessary to discharge the port in order to observe the V_{Mark} voltage. Discharge can be accomplished with a 2 mA load for 3 ms, after which V_{Mark} can be observed with minimum and maximum load current.

If any measured I_{Class} is equal to or greater than $I_{\text{Class_LIM min}}$, a PSE shall return to IDLE. The PSE shall limit class event currents to $I_{\text{Class_LIM}}$ and shall limit mark event currents to $I_{\text{Mark_LIM}}$.

All class event voltages and mark event voltages shall have the same polarity as defined for $V_{\text{Port_PSE-2P}}$ in 145.2.4. PSEs may issue class events on one or both pairsets, when connected to a single-signature PD and operating over 4 pairs. The PSE shall complete Multiple-Event Physical Layer classification and transition to POWER_ON, POWER_ON_PRI, or POWER_ON_SEC without allowing the voltage at the PI or pairset to go below $V_{\text{Mark min}}$, unless in CLASS_RESET, CLASS_RESET_PRI, or CLASS_RESET_SEC. If the PSE returns to IDLE, it shall maintain the PI voltage in the range of V_{Reset} for a period of at least $T_{\text{Reset min}}$ before starting a new detection cycle. If the PSE is in any of the CLASS_RESET states it shall maintain the PI or pairset voltage in the range of V_{Reset} for a period of at least $T_{\text{Reset min}}$.

A PSE that implements 4PID based on Physical Layer classification and is restricted to Class 3 power or less, when connected to a dual-signature PD, shall issue three initial class events to determine the Type of the connected PD, then transition to either CLASS_RESET_PRI or CLASS_RESET_SEC.

145.2.8.2 Autoclass (optional)

PSEs may implement an extension of Physical Layer classification known as Autoclass. The purpose of Autoclass is to allow the PSE to determine the actual maximum power draw of the connected PD. Autoclass is only defined for single-signature PDs. See Figure 145B–15 for Autoclass timing diagrams.

If the PSE implements Autoclass it shall measure $P_{\text{Autoclass}}$ when it reaches POWER_ON and pd_autoclass is TRUE. $P_{\text{Autoclass}}$ is the power provided by the PSE measured throughout the period bounded by $T_{\text{AUTO_PSE1}}$ and $T_{\text{AUTO_PSE2}}$, defined in Table 145–15. $P_{\text{ac_margin}}$, defined in Table 145–15, is the minimum amount of power the PSE adds to $P_{\text{Autoclass}}$ in order to allocate enough power to cope with increases in the link section resistance due to temperature increase.

$P_{\text{ac_extra}}$ is the minimum amount of additional power allocation (above $P_{\text{Autoclass}}$ and $P_{\text{ac_margin}}$) that a PSE allocates while providing power in 2-pair mode, when it performed the measurement of $P_{\text{Autoclass}}$ in 4-pair mode. This extra allocation covers the additional losses incurred by the increase in link section resistance in 2-pair mode. $P_{\text{ac_extra}}$ does not apply for PSEs that performed the $P_{\text{Autoclass}}$ measurement in 2-pair mode.

$T_{\text{AUTO_PSE1}}$ and $T_{\text{AUTO_PSE2}}$ timing is referenced from the transition of POWER_UP to POWER_ON. The power consumption shall be defined as the highest average power measured throughout the period bounded by $T_{\text{AUTO_PSE1}}$ and $T_{\text{AUTO_PSE2}}$. Average power is measured using a sliding window with a width in the range of $T_{\text{AUTO_Window}}$ as defined in Table 145–15.

Table 145–15—Autoclass electrical requirements

Item	Parameter	Symbol	Units	Min	Max	Additional information
1	Autoclass power measurement start	$T_{\text{AUTO_PSE1}}$	ms	1400	1600	Measured from the transition of POWER_UP to POWER_ON
2	Autoclass power measurement end	$T_{\text{AUTO_PSE2}}$	ms	3100	3500	
3	Autoclass average power sliding window width	$T_{\text{AUTO_Window}}$	ms	150	300	—
4	Autoclass power margin per the assigned Class					—
	Class 1 to 4	$P_{\text{ac_margin}}$	W	0.5	—	
	Class 5 to 6			0.75	—	
	Class 7 to 8			1.5	—	

145.2.9 4PID requirements

PSEs determine whether an attached PD is a candidate to receive power on both pairsets prior to applying operating voltage to both pairsets. This determination is referred to as 4PID. 4PID is a logical function of the detection state of both pairsets, the result of connection check as described in 145.2.7, and mutual identification. The variable pd_4pair_cand , defined in 145.2.5.4, contains the result of this determination.

A PSE shall not apply 4-pair power unless the PSE has detected a valid detection signature on both pairsets and one or more of the following conditions are met:

- a) The connected PD is a single-signature PD.
- b) The PSE detects a valid detection signature on the unpowered pairset when power is provided in 2-pair mode.
- c) The PSE has identified the PD as Type 3 or Type 4.

145.2.10 Power supply output

When the PSE provides power to the PI, it shall conform with Table 145–16. Table 145–16 values support worst-case operating conditions. These ranges may be narrowed when additional information is known and applied in accordance with this specification. Power may be removed from both pairsets any time power is removed from one pairset.

Table 145–16—PSE output PI electrical requirements for all PD Classes, unless otherwise specified

Item	Parameter	Symbol	Unit	Min	Max	PSE Type	Additional information	
1	Output voltage per pairset in a power on state	V_{Port_PSE-2P}	V	50	57	3	See 145.2.10.1.	
				52		4		
2	Pair-to-pair voltage difference	$V_{Port_PSE_diff}$	V	—	0.01	3, 4	See 145.2.10.2.	
3	Output voltage during transient	$V_{Tran-2P}$	V	45.3	—	3	See 145.2.10.3.	
				48.4	—	4		
4	Power feeding ripple and noise:							
	$f < 500$ Hz	V_{Noise}	V_{pp}	—	0.5	3, 4	See 145.2.10.5.	
	500 Hz to 150 kHz							
	150 kHz to 500 kHz							
	500 kHz to 1 MHz							
Supported pair current to account for unbalance per the assigned Class (for single-signature PDs)								
5	Class 1 to 4	$I_{Con-2P-unb}$	A	I_{Con}^a	—	3, 4	See 145.2.10.6 and 145.2.10.6.1.	
	Class 5				0.56	—		3, 4
	Class 6				0.692	—		3, 4
	Class 7				0.794	—		4
	Class 8				0.948	—		4
6	Total output current of both pairs of the same polarity during POWER_UP per the assigned Class							
	Single-signature PD, Class 1 to 4	I_{Inrush}	A	0.4	0.45	3, 4	See 145.2.10.7 and maximum value definition in Figure 145–22.	
	Single-signature PD, Class 5 to 6			0.4	0.9	3, 4		
	Single-signature PD, Class 7 to 8			0.8	0.9	4		
Current per pairset during power up per the assigned Class								
7	Single-signature PD, Class 1 to 4	$I_{Inrush-2P}$	A	—	0.45	3, 4	See 145.2.10.7 and maximum value definition in Figure 145–22.	
	Single-signature PD, Class 5 to 6			—	0.6	3, 4		
	Single-signature PD, Class 7 to 8			—	0.6	4		
	Dual-signature PD, Class 1 to 4			0.4	0.45	3, 4		
	Dual-signature PD, Class 5			0.4	0.45	4		
8	Inrush time	T_{Inrush}	ms	50	75	3, 4	See 145.2.10.7.	

Table 145–16—PSE output PI electrical requirements for all PD Classes, unless otherwise specified (continued)

Item	Parameter	Symbol	Unit	Min	Max	PSE Type	Additional information
9	Overload current per pairset detection range	I_{CUT-2P}	A	I_{Con-2P}	—	3, 4	Optional limit; see 145.2.10.6, 145.2.10.8, Table 145–11.
10	Overload time limit	T_{CUT}	ms	50	75	3, 4	See 145.2.10.9.
11	Output current per pairset – at short circuit condition, per the assigned Class, single-signature PD						
	Class 1 to 3	I_{LIM-2P}	A	0.4	See info	3, 4	See 145.2.10.9. Max value defined by Figure 145–23 and Figure 145–24.
	Class 4			0.684 ^b		3, 4	
	Class 5			0.58		3, 4	
	Class 6			0.72		3, 4	
	Class 7			0.85		4	
	Class 8			1.005		4	
	Output current per pairset – at short circuit condition, per the assigned Class, dual-signature PD						
	Class 1 to 3	I_{LIM-2P}	A	0.4	See info	3, 4	See 145.2.10.9. Max value defined by Figure 145–23 and Figure 145–24.
	Class 4			0.684		3, 4	
	Class 5			0.99		4	
	12	Short circuit time limit	T_{LIM}	ms	10	75	3
6					4		
13	PSE Type power	P_{Type}	W	4	—	3	See 145.2.10.13
				75	99.9	4	
14	Power turn on time	T_{pon}	ms	—	400	3, 4	See 145.2.10.14.
15	Turn on rise time per pairset	T_{Rise}	ms	0.015	—	3, 4	See 145.2.10.1
16	Turn off time per pairset	T_{Off}	ms	—	500	3, 4	See 145.2.10.10.
17	Turn off voltage per pairset	V_{Off}	V	—	2.8	3, 4	See 145.2.10.11.
18	Unpowered negative pair reverse current						
	Highest $V_{PSE} > 21$ V	I_{rev}	A	—	0.0013	3, 4	See 145.2.10.4, 145.3.8.8.
	Highest $V_{PSE} \leq 21$ V						

Table 145–16—PSE output PI electrical requirements for all PD Classes, unless otherwise specified (continued)

Item	Parameter	Symbol	Unit	Min	Max	PSE Type	Additional information
19	DC MPS current on at least one pairset, per the assigned Class						See 145.2.12.
	Single-signature PD, Class 1 to 4, 2-pair	$I_{\text{Hold-2P}}$	A	0.004	0.009	3, 4	
	Single-signature PD, Class 1 to 4, 4-pair			0.002	0.005		
	Single-signature PD, Class 5 to 8			0.002	0.007		
	DC MPS current on each pairset						
	Dual-signature PD	$I_{\text{Hold-2P}}$	A	0.002	0.007	3, 4	
20	DC MPS total current on both pairs of the same polarity, per the assigned Class						See 145.2.12.
	Single-signature PD, Class 1 to 4	I_{Hold}	A	0.004	0.009	3, 4	
	Single-signature PD, Class 5 to 8			0.004	0.014	3, 4	
21	PD MPS dropout time limit	T_{MPDO}	ms	320	400	3,4	See 145.2.12.
22	PD MPS time for validity	T_{MPS}	ms	6	—	3,4	See 145.2.12.
23	Alternative B detection backoff time	T_{dbo}	ms	2000	—	3, 4	—
24	Detection timing	T_{det}	ms	—	500	3, 4	Time to complete detection on a pairset.
25	Error delay timing	T_{ed}	ms	750	—	3, 4	See 145.2.10.15

^a The $I_{\text{Con-2P-ub}}$ value is higher than the value for Class 5 as unbalance for Class 4 is not restricted.

^b Unbalance at Class 4 is not restricted. The $I_{\text{LIM-2P}}$ value is higher than the value for Class 5 for PSEs operating in 4-pair mode.

145.2.10.1 Output voltage in the power on states

The specification for $V_{\text{Port_PSE-2P}}$ in Table 145–16 shall be met with a load step of ($I_{\text{Hold max}} \times V_{\text{Port_PSE-2P min}}$) to the maximum power per the PSE's assigned Class at a rate of change of up to 15 mA/ μs . The voltage transients as a result of load changes up to 35 mA/ μs shall be limited to 3.5 V/ μs .

A PSE that has assigned Class 1 to 4 to a single-signature PD and is in a power on state may transition between 2-pair and 4-pair power at any time, including after the expiration of T_{pon} . A PSE that has assigned Class 5 to 8 to a single-signature PD shall apply power to both pairsets while in POWER_ON.

T_{Rise} , as defined in Table 145–16, is referenced from 10% to 90% of the voltage difference between the positive and the negative conductors of a pairset in a power on state from the beginning of a power up state.

145.2.10.2 Output voltage pair-to-pair difference

$V_{\text{Port_PSE_diff}}$, as defined in Table 145–16, is the maximum voltage difference between pairs with the same polarity, at no load condition, when operating over 4 pairs, in a power on state.

145.2.10.3 Voltage transients

A PSE shall maintain an output voltage no less than $V_{\text{Tran-2P}}$ for transient conditions lasting more than 30 μs and less than 250 μs , and meet the requirements of 145.2.10.9. Transients less than 30 μs in duration may cause the voltage at the PI to fall below $V_{\text{Tran-2P}}$. See 145.3.8.6 for PD transient requirements. Transients lasting more than 250 μs shall meet the $V_{\text{Port_PSE-2P}}$ specification.

NOTE—The occurrence of voltage transients lasting more than 250 μs or voltage steps of significant amplitude (within the $V_{\text{Port_PSE-2P}}$ specification) should be limited to rare circumstances such as those involving switchover of backup power supplies or those involving significant change in current demand on the PSE power supply due to a large load step spread over multiple powered ports.

145.2.10.4 Reflected voltage

When a 4-pair capable PSE provides power in 2-pair mode, whereby two pairs are connected to the positive V_{PSE} , and one pair is connected to the negative V_{PSE} , a single-signature PD may reflect a voltage of up to V_{PSE} back onto the unpowered pairset. See 145.3.8.8. This can cause a reverse current, I_{rev} as defined in Table 145–16, to flow. Reverse current is current flowing out of the PSE on a negative pair.

The PSE shall not source a current higher than I_{rev} , as defined in Table 145–16, on a negative pair. This requirement holds only when no power is being sourced into the PSE.

145.2.10.5 Power feeding ripple and noise

V_{Noise} , the specification for power feeding ripple and noise in Table 145–16, shall be met for common-mode and pair-to-pair noise values at all static PSE output voltages. The limits are meant to preserve data integrity. To meet EMI standards, lower values may be needed. For higher frequencies, see 145.4.4, 145.4.5, and 145.4.6.

145.2.10.6 Continuous current capability in the power on states

$I_{\text{Port-2P}}$ and $I_{\text{Port-2P-other}}$ are the currents on the negative pairs and are defined in Equation (145–5) and in Equation (145–6).

$$I_{\text{Port-2P}} = \left\{ \begin{array}{l} I_{\text{Port-2P-pri}} \text{ for the Primary Alternative} \\ I_{\text{Port-2P-sec}} \text{ for the Secondary Alternative} \end{array} \right\}_A \quad (145-5)$$

$$I_{\text{Port-2P-other}} = \left\{ \begin{array}{l} I_{\text{Port-2P-sec}} \text{ for the Primary Alternative} \\ I_{\text{Port-2P-pri}} \text{ for the Secondary Alternative} \end{array} \right\}_A \quad (145-6)$$

I_{Port} is the total current on both pairs with the same polarity and is defined in Equation (145-7).

$$I_{\text{Port}} = \{ I_{\text{Port-2P}} + I_{\text{Port-2P-other}} \}_A \quad (145-7)$$

where

$I_{\text{Port-2P-pri}}$ is the current supplied on the negative pair of the Primary Alternative
 $I_{\text{Port-2P-sec}}$ is the current supplied on the negative pair of the Secondary Alternative

PSEs shall be able to supply $I_{\text{Con-2P}}$, the current the PSE supports on both pairs of each powered pairset, as defined in Equation (145-8). $I_{\text{Con-2P}}$ should be measured using a sliding window with a width of 1 second.

$$I_{\text{Con-2P}} = \left\{ \begin{array}{l} P_{\text{Class}}/V_{\text{PSE}} \text{ when in 2-pair mode} \\ \min(I_{\text{Con}} - I_{\text{Port-2P-other}}, I_{\text{Con-2P-umb}}) \text{ when 4-pair powering a single-signature PD} \\ P_{\text{Class-2P}}/V_{\text{PSE}} \text{ when 4-pair powering a dual-signature PD} \end{array} \right\}_A \quad (145-8)$$

where

P_{Class} is P_{Class} as defined in Equation (145-2)
 $P_{\text{Class-2P}}$ is $P_{\text{Class-2P}}$ as defined in Equation (145-3)
 V_{PSE} is the voltage across the pairset at the PSE PI as defined in 145.1.3
 I_{Con} is the total current a PSE is able to source as defined in Equation (145-9)
 $I_{\text{Con-2P-umb}}$ is the current a PSE is able to supply on each pair to account for pair-to-pair unbalance as defined in Table 145-16
 $I_{\text{Port-2P-other}}$ is the current on the other negative pair as defined in Equation (145-6)

When powering a single-signature PD over 4 pairs, a PSE supports both:

- A total current of I_{Con} , defined in Equation (145-9), over both pairs with the same polarity;
- A minimum current of $I_{\text{Con-2P-umb}}$ on both the positive pair and the negative pair with the highest current to account for pair-to-pair unbalance.

$$I_{\text{Con}} = \left\{ \frac{P_{\text{Class}}}{V_{\text{PSE}}} \right\}_A \quad (145-9)$$

where

P_{Class} is P_{Class} as defined in Equation (145-2)
 V_{PSE} is the voltage across the pairset at the PSE PI as defined in 145.1.3

The PSE shall support the AC current waveform parameter $I_{\text{Peak-2P}}$, defined in Equation (145–10), on both pairs of each powered pairset, while within the operating voltage range of $V_{\text{Port_PSE-2P}}$, for a minimum of T_{CUT} and a duty cycle of at least 5%.

$$I_{\text{Peak-2P}} = \left\{ \begin{array}{ll} I_{\text{Peak}} & \text{when in 2-pair mode} \\ \min(I_{\text{Peak}} - I_{\text{Port-2P-other}}, I_{\text{Peak-2P-unb}}) & \text{when 4-pair powering} \\ & \text{a single-signature PD} \\ \frac{V_{\text{PSE}} - \sqrt{V_{\text{PSE}}^2 - 4 \times R_{\text{Chan-2P}} \times P_{\text{Peak_PD-2P}}}}{2 \times R_{\text{Chan-2P}}} & \text{when 4-pair powering} \\ & \text{a dual-signature PD} \end{array} \right\}_A \quad (145-10)$$

where

- I_{Peak} is the total peak current a PSE supports per Equation (145–11)
- $I_{\text{Port-2P-other}}$ is the current on the other negative pair as defined in Equation (145–6)
- $I_{\text{Peak-2P-unb}}$ is the minimum peak current supported to account for unbalance, defined in Equation (145–12)
- V_{PSE} is the voltage across the pairset at the PSE PI as defined in 145.1.3
- $R_{\text{Chan-2P}}$ is the pairset loop resistance; this parameter has a worst-case value of R_{Ch} defined in 145.1.3 and Table 145–1
- $P_{\text{Peak_PD-2P}}$ is the peak power a dual-signature PD may draw per its assigned Class on a pairset; see Table 145–29

I_{Peak} , defined in Equation (145–11), is the total current of the powered pairs with the same polarity that a PSE supports, when powering a PD over 2 pairs or powering a single-signature PD over 4 pairs.

$$I_{\text{Peak}} = \left\{ \frac{V_{\text{PSE}} - \sqrt{V_{\text{PSE}}^2 - 4 \times R_{\text{Chan}} \times P_{\text{Peak_PD}}}}{2 \times R_{\text{Chan}}} \right\}_A \quad (145-11)$$

where

- V_{PSE} is the voltage across the pairset at the PSE PI as defined in 145.1.3
- R_{Chan} is the link section loop resistance as defined in 145.1.3
- $P_{\text{Peak_PD}}$ is the total peak power a PD may draw for its Class; see Table 145–29

$I_{\text{Peak-2P-unb}}$, defined in Equation (145–12), is the minimum current that a PSE is able to supply on both the positive pair and the negative pair with the highest current, when powering a single-signature PD over 4 pairs.

$$I_{\text{Peak-2P-unb}} = \{I_{\text{LIM-2P}} - 0.002\}_A \quad (145-12)$$

where

- $I_{\text{LIM-2P}}$ is the $I_{\text{LIM-2P}}$ min value per pairset for the PSE, as defined in Table 145–16

145.2.10.6.1 PSE pair-to-pair current unbalance

When a PSE supplies power to a PD using all 4 pairs, the current may not equally divide between the pairs that are at the same polarity. This is referred to as pair-to-pair current unbalance. The degree to which the current is unbalanced depends on the specific combination of PSE, cabling, and PD.

The maximum pair current in a system depends on the assigned Class (see 145.2.8), and is defined in Table 145–17.

Table 145–17—Maximum pair-to-pair current unbalance

Parameter	Assigned Class	Unit	Value
I _{Unbalance-2P}	1 to 4	A	I _{Con} ^a
	5 to 8		I _{Con-2P-unb} – 0.01

^a Unbalance current for these assigned Classes is not restricted.

PSEs that operate over 4 pairs are subject to unbalance requirements. The contribution of PSE PI pair-to-pair effective resistance unbalance to the system end-to-end effective resistance unbalance is specified by PSE maximum (R_{PSE_max}) and minimum (R_{PSE_min}) common mode effective resistance in the powered pairs of same polarity, see Figure 145A–1. Effective resistances of R_{PSE_min} and R_{PSE_max} include the effects of V_{Port_PSE_diff} as defined in Table 145–16 and the PSE PI resistive elements. See definition and measurements in Annex 145A.

The PSE PI pair-to-pair effective resistance unbalance determined by R_{PSE_max} and R_{PSE_min}, along with any other parts of the system, i.e., the cabling and the PD, bounds the current such that the pair with the highest current including unbalance does not exceed I_{Unbalance-2P} as defined in Table 145–17 during normal operating conditions. I_{Unbalance-2P} is the highest pair current in case of maximum unbalance and will be higher than I_{Con} / 2. I_{Unbalance-2P} applies to link section common mode pair resistances from 0.2 Ω to R_{Ch}, as defined in 145.1.3.

R_{PSE_max} and R_{PSE_min} are specified and measured under maximum P_{Class_PD} load conditions, measured at the PD PI, over the V_{Port_PSE-2P} operating range. R_{PSE_max} and R_{PSE_min} for the positive pairs are not necessarily the same values as for the negative pairs.

PSEs that meet R_{PSE_min} and R_{PSE_max}, as defined by Equation (145–13) meet the unbalance requirements under worst case conditions of link section pair to pair unbalance and PD PI pair to pair unbalance. Equation (145–13) is only applicable for R_{PSE_min} up to a value of 1 Ω for Class 5 and Class 6, and 0.5 Ω for Class 7 and Class 8.

$$0 < R_{PSE_max} \leq \left\{ \begin{array}{ll} 2.182 \times R_{PSE_min} - 0.04 & \text{for Class 5} \\ 1.999 \times R_{PSE_min} - 0.04 & \text{for Class 6} \\ 1.904 \times R_{PSE_min} - 0.03 & \text{for Class 7} \\ 1.832 \times R_{PSE_min} - 0.03 & \text{for Class 8} \end{array} \right\} \Omega \quad (145-13)$$

where

R_{PSE_max} is, given R_{PSE_min}, the highest supported common mode effective resistance in the powered pairs of the same polarity

R_{PSE_min} is the lower PSE common mode effective resistance in the powered pairs of the same polarity

R_{PSE_min} or R_{PSE_max} common mode effective resistance is the resistance of the two internal conductors (including the internal components on each conductor) in a powered pair of the same polarity connected in parallel.

A PSE shall not source more than $I_{Unbalance-2P}$ on any pair when connected to a load as shown in Figure 145–21, using values of R_{load_min} and R_{load_max} as defined in Equation (145–14) and Equation (145–15). This unbalance current requirement applies at the PSE PI connector (jack) when mated with a specified balanced cabling connector (plug).

R_{load_min} and R_{load_max} , defined in Equation (145–14) and Equation (145–15), are respectively the minimum and maximum common mode effective load resistances in the powered pairs of the same polarity.

Table 145–18 specifies the resistance values used to compute R_{load_min} and R_{load_max} according to Equation (145–14) and Equation (145–15). The load resistances R_{load_min} and R_{load_max} are split into two series resistances R_{load1_min} and R_{load2_min} , and R_{load1_max} and R_{load2_max} respectively, as shown in Figure 145–21, so the power sink can be set such that the power consumption inside the P_{load} box equals P_{Class_PD} .

$$R_{load_min} = R_{load1_min} + R_{load2_min} \tag{145-14}$$

$$R_{load_max} = R_{load1_max} + R_{load2_max} \tag{145-15}$$

where

- R_{load1_max} is, given R_{load1_min} , the higher resistance value representing the link section resistance
- R_{load1_min} is the lower resistance representing the link section resistance
- R_{load2_max} is, given R_{load2_min} , the higher resistance value representing the PD contribution to unbalance
- R_{load2_min} is the lower resistance representing the PD contribution to unbalance

Table 145–18—PSE unbalance test fixture resistances

PSE Class	R_{load1_min} (Ω)	R_{load1_max} (Ω)	R_{load2_min} (Ω)	R_{load2_max} (Ω)	Additional information
5	0.087	0.101	0.638	1.518	Low link section resistance conditions.
6			0.538	1.183	
7			0.483	1.017	
8			0.439	0.894	
5	5.41	6.25	0.704	1.026	High link section resistance conditions.
6			0.564	0.822	
7			0.491	0.717	
8			0.43	0.629	

The values for $I_{Unbalance-2P}$ and the relation between R_{PSE_max} and R_{PSE_min} , as defined in Equation (145–13), are valid given that $R_{Chan-2P}$ (see 145.1.3) ranges from 0.2 Ω to 12.5 Ω . See 145A.4 for guidelines on how to support low resistance link sections.

Figure 145–21 shows a verification circuit for the PSE current unbalance requirements measurement. Other methods for measuring R_{PSE_min} and R_{PSE_max} are described in Annex 145A.

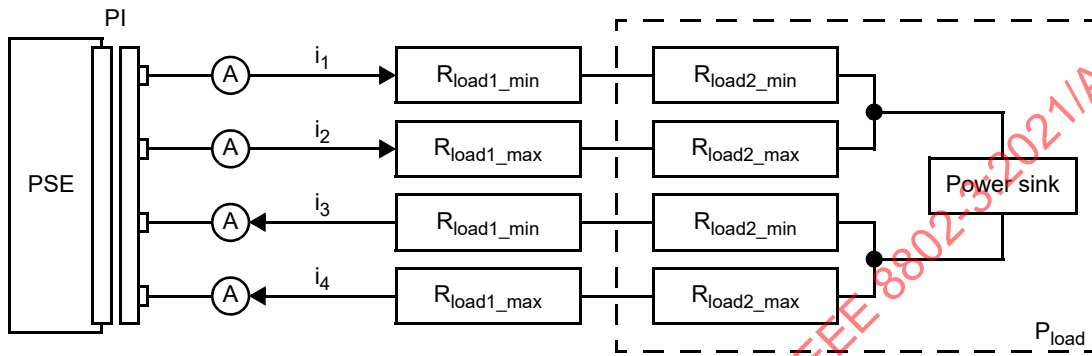


Figure 145–21—PSE current unbalance verification circuit

The evaluation method is as follows:

- Use R_{load_min} and R_{load_max} from Equation (145–14) and Equation (145–15) for low channel resistance conditions.
- Adjust the power sink such that P_{load} (the power consumed by the R_{load2} resistances and the power sink) equals P_{Class_PD} for the given Class.
- Verify that currents i_1 , i_2 , i_3 , and i_4 are lower than $I_{Unbalance-2P}$, as defined in Table 145–17.
- Exchange R_{load_max} and R_{load_min} . Repeat steps b) and c).
- Repeat steps b) through d) for R_{load_min} and R_{load_max} components from Equation (145–14) and Equation (145–15) for high channel resistance conditions.

145.2.10.7 Current during power up

Power up occurs on each pairset between the transition to a power up state on that pairset and the expiration of T_{Inrush} . A PSE that provides current on both pairsets during POWER_UP shall complete power up within T_{Inrush_max} , starting when the first pairset exceeds a voltage of 30 V. PSEs that have assigned Class 1 through 6 to a single-signature PD may perform inrush over 2 pairs or over 4 pairs. PSEs that have assigned Class 5 or Class 6 to a single-signature PD transition to 4-pair mode by T_{Inrush} . PSEs that have assigned Class 7 or Class 8 to a single-signature PD perform inrush over 4 pairs.

The PSE shall limit the current on each powered negative pair to $I_{Inrush-2P}$ and the total current on the negative pairs to I_{Inrush} during power up per the requirements of Table 145–16, with the exception of the initial per pairset transient described in Equation (145–16).

$$I_{PSEIT-2P}(t) = \left. \begin{cases} I_{Inrush-2Pmax} & \text{for } 0 \leq t < t_0 \\ 50 & \text{for } t_0 \leq t < (t_0 + 10 \times 10^{-6}) \\ I_{Inrush-2Pmax} + \frac{(50 - I_{Inrush-2Pmax}) \times (0.001 + t_0 - t)}{99 \times 10^{-5}} & \text{for } (t_0 + 10 \times 10^{-6}) \leq t < (t_0 + 0.001) \\ I_{Inrush-2Pmax} & \text{for } (t_0 + 0.001) \leq t < 0.075 \end{cases} \right\} \quad (145-16)$$

where

- t is the time in seconds
- $I_{Inrush-2Pmax}$ is the maximum value of $I_{Inrush-2P}$ as defined in Table 145–16
- t_0 is the time when $I_{Port-2P}$ exceeds $I_{Inrush-2Pmax}$ for the first time during the power up states.
The range for t_0 is $0 \leq t_0 \leq 49$ ms.

The PSE inrush maximum limit, $I_{PSEIT-2P}$, shown in Figure 145–22, is defined by Equation (145–16).

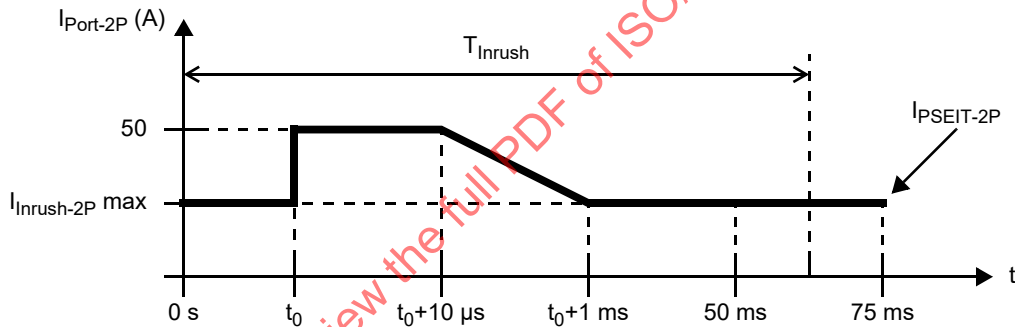


Figure 145–22—Per pairset PSE inrush maximum current

The minimum I_{Inrush} and $I_{Inrush-2P}$ current capability as defined in Table 145–16 applies when V_{PSE} exceeds 30 V. During a power up state, the PSE shall support the following:

- When powering a single-signature PD, a minimum I_{Inrush} of 5 mA when V_{PSE} is between 0 V and 10 V, and 60 mA when V_{PSE} is between 10 V and 30 V.
- When powering a dual-signature PD, a minimum $I_{Inrush-2P}$ of 5 mA when V_{PSE} is between 0 V and 10 V, and 60 mA when V_{PSE} is between 10 V and 30 V.

145.2.10.8 Overload current

If the current on either pair of a pairset exceeds I_{CUT-2P} for longer than T_{CUT} , the PSE may remove power from that pairset. The cumulative duration of T_{CUT} is measured using a sliding window of at least 1 second width.

145.2.10.9 Short circuit current

The PSE shall limit the pairset current to I_{LIM-2P} for a duration of at least T_{LIM} min, when V_{PSE} is in the range of V_{Port_PSE-2P} . The cumulative duration of the current limit event may be measured with a sliding window of at most 1 second width.

The maximum value of I_{LIM-2P} is the PSE upperbound template described by Equation (145–17), Equation (145–18), Figure 145–23, and Figure 145–24. The I_{LIM-2P} minimum value in Table 145–16 for Class 5 and above includes the effective system end-to-end resistance unbalance effect.

The PSE shall remove power from a pairset before a current limit event persists on that pairset continuously for T_{LIM} max as defined in Table 145–16.

A PSE in a power on state may remove power from a pairset without regard to T_{LIM} when the voltage on that pairset no longer meets the V_{Port_PSE-2P} specification for longer than 250 μ s or the voltage no longer meets the $V_{Tran-2P}$ specification.

If $I_{Port-2P}$ exceeds the PSE lowerbound template, the PSE output voltage may drop below V_{Port_PSE-2P} min.

A PSE may remove power from the PI if the current on any pair exceeds the “PSE lowerbound template” in Figure 145–23 or Figure 145–24. Power shall be removed from a pairset of a PSE before the pairset current exceeds the “PSE upperbound template” in Figure 145–23 or Figure 145–24. When connected to a single-signature PD, the PSE should remove power from both pairsets before the current exceeds the “PSE upperbound template” on either pairset.

The right side vertical axis in Figure 145–23 and Figure 145–24 indicates the total current over both pairsets when the PSE supplies 4-pair power to a single-signature PD.

- For Type 3 PSEs, Figure 145–23, Equation (145–17) and Equation (145–19) apply.
- For Type 4 PSEs, Figure 145–24, Equation (145–18) and Equation (145–20) apply.

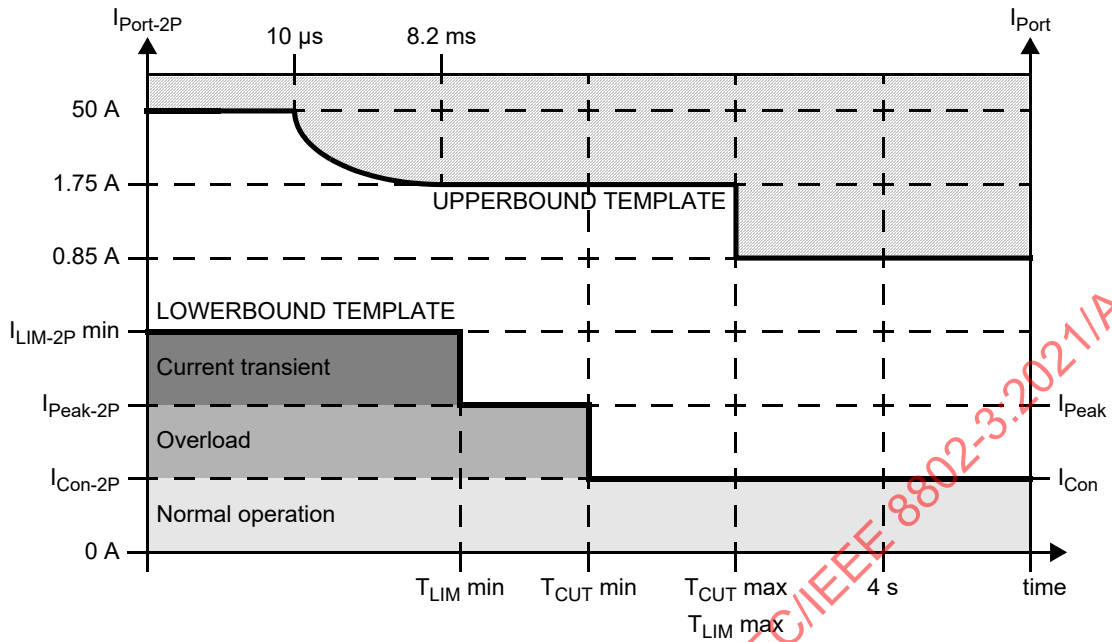


Figure 145-23—Power on states, per pairset operating current template for Type 3 PSEs

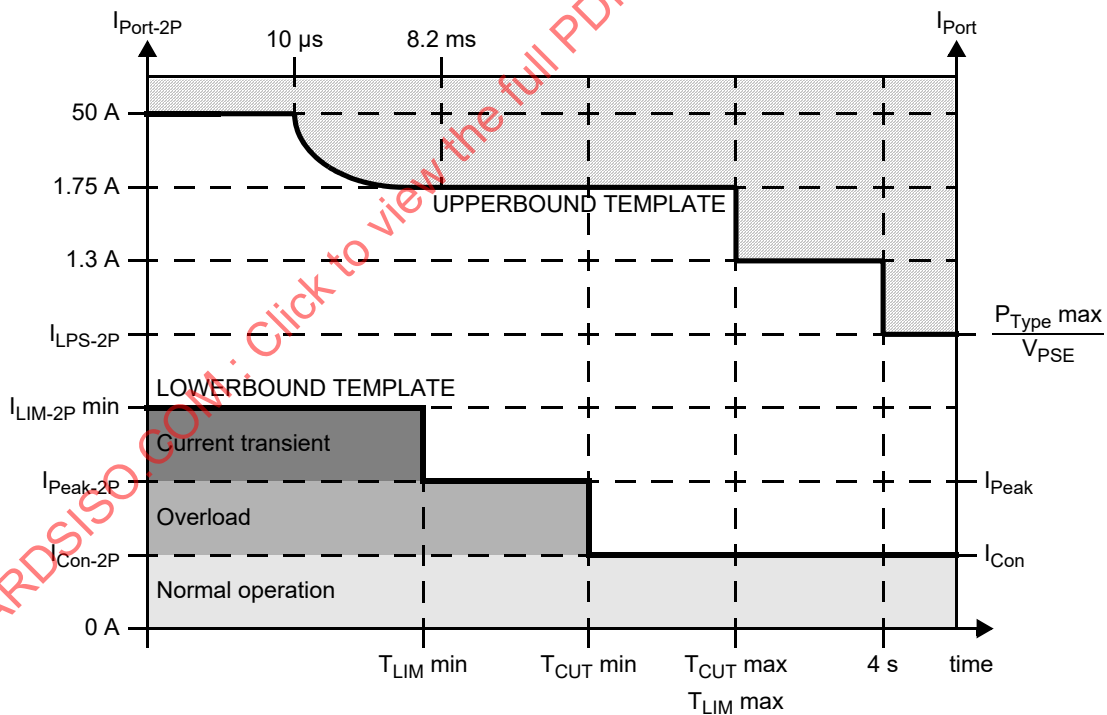


Figure 145-24—Power on states, per pairset operating current template for Type 4 PSEs

The PSE upperbound templates, $I_{\text{PSEUT-Type3-2P}}$ and $I_{\text{PSEUT-Type4-2P}}$, are defined by the following segments:

$$I_{\text{PSEUT-Type3-2P}}(t) = \left. \begin{cases} 50 & \text{for } (0 \leq t < 10 \times 10^{-6}) \\ \sqrt{\frac{K}{t}} & \text{for } (10 \times 10^{-6} \leq t < 8.2 \times 10^{-3}) \\ 1.75 & \text{for } (8.2 \times 10^{-3} \leq t < T_{\text{CUTmax}}) \\ 0.85 & \text{for } (T_{\text{CUTmax}} \leq t) \end{cases} \right\}_A \quad (145-17)$$

$$I_{\text{PSEUT-Type4-2P}}(t) = \left. \begin{cases} 50 & \text{for } (0 \leq t < 10 \times 10^{-6}) \\ \sqrt{\frac{K}{t}} & \text{for } (10 \times 10^{-6} \leq t < 8.2 \times 10^{-3}) \\ 1.75 & \text{for } (8.2 \times 10^{-3} \leq t < T_{\text{CUTmax}}) \\ 1.3 & \text{for } (T_{\text{CUTmax}} \leq t < 4) \\ I_{\text{LPS-2P}} & \text{for } (4 \leq t) \end{cases} \right\}_A \quad (145-18)$$

where

- t is the duration in seconds that the PSE sources $I_{\text{Port-2P}}$
- K is $0.025 \text{ A}^2\text{s}$, an energy limitation constant for the pairset current when it is not in steady state normal operation
- T_{CUTmax} is T_{CUTmax} per pairset, as defined in Table 145-16
- $I_{\text{LPS-2P}}$ is the current defined in 145.2.10.13

The PSE lowerbound templates, $I_{\text{PSELT-Type3-2P}}$ and $I_{\text{PSELT-Type4-2P}}$, are defined by the following segments:

$$I_{\text{PSELT-Type3-2P}}(t) = \left. \begin{cases} I_{\text{LIM-2Pmin}} & \text{for } (0 \leq t < T_{\text{LIMmin}}) \\ I_{\text{Peak-2P}} & \text{for } (T_{\text{LIMmin}} \leq t < T_{\text{CUTmin}}) \\ I_{\text{Con-2P}} & \text{for } (T_{\text{CUTmin}} \leq t) \end{cases} \right\}_A \quad (145-19)$$

$$I_{\text{PSELT-Type4-2P}}(t) = \left. \begin{cases} I_{\text{LIM-2Pmin}} & \text{for } (0 \leq t < T_{\text{LIMmin}}) \\ I_{\text{Peak-2P}} & \text{for } (T_{\text{LIMmin}} \leq t < T_{\text{CUTmin}}) \\ I_{\text{Con-2P}} & \text{for } (T_{\text{CUTmin}} \leq t) \end{cases} \right\}_A \quad (145-20)$$

where

- t is the duration that the PI sources $I_{\text{Port-2P}}$
- $I_{\text{LIM-2Pmin}}$ is the $I_{\text{LIM-2Pmin}}$ value per pairset for the PSE as defined in Table 145-16
- T_{LIMmin} is T_{LIMmin} per pairset as defined in Table 145-16
- T_{CUTmin} is T_{CUTmin} per pairset, as defined in Table 145-16
- $I_{\text{Peak-2P}}$ is the minimum peak current supported on each powered pair, as defined in Equation (145-12)
- $I_{\text{Con-2P}}$ is the minimum supported continuous current on each powered pair as defined in 145.2.10.6

145.2.10.10 Turn off time

The specification for T_{Off} in Table 145–16 shall apply to the discharge time from $V_{\text{Port_PSE-2P min}}$ to V_{Off} of a pairset with a test resistor of 320 k Ω attached to that pairset. In addition, it is recommended that the pairset be discharged when operating voltage is not applied. T_{Off} ends when $V_{\text{PSE}} \leq V_{\text{Off}}$.

145.2.10.11 Turn off voltage

The voltage at the PI shall be equal or less than V_{Off} , as defined in Table 145–16, when the PSE is in DISABLED, IDLE, BACKOFF, or ERROR_DELAY. The voltage at the corresponding pairset shall be equal or less than V_{Off} , as defined in Table 145–16, when the PSE is in IDLE_PRI, WAIT_PRI, ERROR_DELAY_PRI, IDLE_SEC, WAIT_SEC, or ERROR_DELAY_SEC.

145.2.10.12 Intra-pair current unbalance

The PSE shall support an intra-pair current unbalance of I_{unb} , as defined in Equation (145–21). The intra-pair current unbalance is the current unbalance between the two conductors of a power pair over the current load range.

$$I_{\text{unb}} = \{ 3\% \times I_{\text{Peak-2P-unb_max}} \}_A \quad (145-21)$$

A 100BASE-TX transmitter in a Type 3 or Type 4 Endpoint PSE shall meet the requirements of 25.4.5 in the presence of $(I_{\text{unb}} / 2)$.

145.2.10.13 Type power

$P_{\text{Type min}}$ is the minimum power a PSE is capable of sourcing.

Type 4 PSEs shall not source more power than $P_{\text{Type max}}$, as defined in Table 145–16, measured using a sliding window with a width up to 4 seconds. $I_{\text{LPS-2P}}$ is defined in Equation (145–22) and is the maximum current per pairset that results in less than $P_{\text{Type max}}$ being sourced by the PSE.

$$I_{\text{LPS-2P}} = \left\{ \begin{array}{ll} 0.85 & \text{when in 2-pair mode} \\ \min \left(\frac{P_{\text{Type max}}}{V_{\text{PSE}}} - I_{\text{Port-2P-other}}, 1.3 \right) & \text{when in 4-pair mode} \end{array} \right\}_A \quad (145-22)$$

where

- $P_{\text{Type max}}$ is the maximum power allowed for a given Type as defined in Table 145–16
- V_{PSE} is the voltage across the pairset at the PSE PI as defined in 145.1.3
- $I_{\text{Port-2P-other}}$ is the output current on the other pairset (see 145.2.10.6)

145.2.10.14 Power turn on time

The specification for T_{pon} in Table 145–16 applies to the PSE power up time for a PD after completion of detection.

PSEs, when connected to a single-signature PD, shall reach POWER_ON within T_{pon} after completing detection on the last pairset. When connected to a dual-signature PD, PSEs shall reach the respective power on state for a pairset within T_{pon} after completing detection on the same pairset.

145.2.10.15 Error delay timing

T_{ed} , defined in Table 145–16, is the minimum delay time before a PSE may attempt subsequent powering of a pairset after power removal from that pairset because of an error condition.

145.2.10.16 PSE stability

When connected together as a system, the PSE and PD might exhibit instability at the PSE side or the PD side or both due to the presence of negative impedance at the PD input. See Annex 33A for PSE design guidelines for stable operation.

145.2.11 Power supply allocation

A PSE does not initiate power provision to one or both pairsets if the PSE has less than Class 3 power available and the connected PD requests more than the available power.

The PSE may manage the allocation of power based on additional information beyond the classification of the attached PD. Allocating power based on additional information about the attached PD, and the mechanism for obtaining that additional information, is beyond the scope of this standard with the exception that the allocation of power shall not be based solely on the historical data of the power consumption of the attached PD.

See 145.5 for a description of Data Link Layer classification.

If the system implements a power allocation algorithm, no additional behavioral requirement is placed on the system as it approaches or reaches its maximum power subscription. Specifically, the interaction between one PSE PI and another PSE PI in the same system is beyond the scope of this standard.

145.2.12 PSE Maintain Power Signature (MPS) requirements

A PSE removes power when a connected PD no longer draws a minimum amount of current. This is referred to as the “Maintain Power Signature.” The PSE state diagrams in Figure 145–17 and Figure 145–18 monitor for the absence of MPS.

A PSE, depending on the PD assigned Class and PD signature configuration, shall use the applicable I_{Hold} , $I_{Hold-2P}$, T_{MPS} and T_{MPDO} values as defined in Table 145–16. The specification for T_{MPS} in Table 145–16 applies only to the DC MPS component.

A PSE powering a PD over a single pairset

- Shall consider the DC MPS component to be present if $I_{Port-2P}$ is greater than or equal to $I_{Hold-2P}$ max continuously for a minimum of T_{MPS} .
- Shall consider the DC MPS component to be absent if $I_{Port-2P}$ is less than or equal to $I_{Hold-2P}$ min.
- May consider the DC MPS component to be either present or absent if $I_{Port-2P}$ is in the range of $I_{Hold-2P}$.

- Shall remove power from the PI when DC MPS has been absent for a duration greater than T_{MPDO} .
- Shall not remove power from the PI when DC MPS has been present within the $T_{MPS} + T_{MPDO}$ window. This allows a PD to minimize its power consumption.

A PSE powering a single-signature PD over both pairsets

- Shall consider the DC MPS component to be present if $I_{Port-2P}$ of the pairset with the highest current is greater than or equal to $I_{Hold-2P} \max$ and I_{Port} is greater than or equal to $I_{Hold} \max$ continuously for a minimum of T_{MPS} .
- Shall consider the DC MPS component to be absent if $I_{Port-2P}$ of the pairset with the highest current is less than or equal to $I_{Hold-2P} \min$ and I_{Port} is less than or equal to $I_{Hold} \min$.
- May consider the DC MPS component to be either present or absent if $I_{Port-2P}$ of the pairset with the highest current is within the range of $I_{Hold-2P}$ or I_{Port} is within the range of I_{Hold} .
- Shall remove power from the PI when DC MPS has been absent for a duration greater than T_{MPDO} .
- Shall not remove power from the PI when DC MPS has been present within the $T_{MPS} + T_{MPDO}$ window. This allows a PD to minimize its power consumption.

NOTE—The DC MPS requirements for PSEs connected to a single-signature PD are such that the PSE may measure either the total current over both pairsets (I_{Hold}), the current on the pairset with the highest current ($I_{Hold-2P}$), or both.

A PSE powering a dual-signature PD over both pairsets

- Shall consider the DC MPS component to be present or absent on each pairset independently.
- Shall consider the DC MPS component to be present on a pairset if $I_{Port-2P}$ is greater than or equal to $I_{Hold-2P} \max$ continuously for a minimum of T_{MPS} .
- Shall consider the DC MPS component to be absent on a pairset if $I_{Port-2P}$ is less than or equal to $I_{Hold-2P} \min$.
- May consider the DC MPS component on a pairset to be either present or absent if $I_{Port-2P}$ is within the range of $I_{Hold-2P}$.
- Shall remove power from a pairset when DC MPS has been absent on that pairset for a duration greater than T_{MPDO} .
- Shall not remove power from a pairset when DC MPS has been present on both pairsets within the $T_{MPS} + T_{MPDO}$ window.
- May maintain power on a pairset when DC MPS has been present on that pairset within the $T_{MPS} + T_{MPDO}$ window. This allows a PD to minimize its power consumption.

145.3 Powered devices (PDs)

A PD is the portion of a device that is either drawing power or requesting power by participating in the PD detection algorithm. A device that is capable of becoming a PD may have the ability to draw power from an alternate power source. A PD requiring power from the PI may simultaneously draw power from an alternate power source. PD capable devices that are neither drawing nor requesting power are also covered in this subclause.

A PD is specified at the point of the physical connection to the cabling. Characteristics such as the losses due to voltage correction circuits, power supply inefficiencies, separation of internal circuits from external ground or other characteristics induced by circuits after the PI connector are not specified. Limits defined for the PD are specified at the PI, not at any point internal to the PD, unless specifically stated.

Additional electrical specifications that apply to the PD are specified in 145.4.

145.3.1 PD Type descriptions

PDs can be categorized as either Type 1, Type 2, Type 3, or Type 4. See 33.3 for the specification of Type 1 and Type 2 PDs. PDs can be implemented as either a single-signature configuration or a dual-signature configuration as defined in 1.4 and 145.3.5 and shown in Table 145–19. Table 145–19 shows the supported parameters of PDs.

Table 145–19—PD supported parameters

PD Type	Signature configuration	PD Class	Physical Layer classification	Data Link Layer classification	Optional Capabilities
Type 3	Single	1 to 3	Multiple-Event	Optional	Autoclass
		4 to 6	Multiple-Event	Mandatory	Autoclass
	Dual	1 to 3	Multiple-Event	Optional	—
		4	Multiple-Event	Mandatory	—
Type 4	Single	7 to 8	Multiple-Event	Mandatory	Autoclass
	Dual	5	Multiple-Event	Mandatory	—

NOTE 1—See Table 145–26 and Table 145–27 for the allowed PD power for each Type and Class.
 NOTE 2—Data Link Layer classification for dual-signature PDs is optional only if the PD requested Class on both Modes is less than or equal to 3.
 NOTE 3—Type 4 dual-signature PDs request Class 5 on at least one pairset

145.3.2 PD PI

The PD’s PI consists of 8 conductors. The two conductors associated with a pair are at the same nominal voltage. A pairset consists of two pairs, as defined in 145.2.4. The two pairsets are named Mode A and Mode B, which correspond with Alternative A and Alternative B. Figure 145–12 in conjunction with Table 145–20 illustrate the two power modes.

PDs shall be capable of accepting power in any valid 2-pair configuration and any valid 4-pair configuration as defined in Table 145–20.

A PD shall meet the requirements of detection (145.3.4), PD signature configuration (145.3.5), and PD classification (145.3.6) in any valid 2-pair configuration, as defined in Table 145–20.

NOTE—This includes configurations with two pairs connected to the same positive potential and one pair connected to the negative potential.

A single-signature PD shall meet all specifications related to current by meeting the specified total current, where total current is the combined current of the two pairs at the same polarity, unless otherwise noted (see 145.3.8.9). A dual-signature PD shall meet all specifications related to current by meeting the specified current on the negative pair of a given Mode, unless otherwise noted (see 145.3.8.9).

The PD shall be insensitive to the polarity of the voltage applied on each Mode regardless of the polarity of the voltage applied on the other Mode. Single-signature PDs that request Class 4 or less shall be able to operate if power is supplied with any valid configuration defined in Table 145–20. All other PDs may require being supplied with a valid 4-pair configuration to operate at their nominal power level.

NOTE—PDs that support only Mode A or Mode B are specifically not allowed by this standard. PDs that are sensitive to polarity are specifically not allowed by this standard.

PDs interoperate with Type 1, Type 2, Type 3, and Type 4 PSEs, subject to power limitations. See 145.3.6.

The PD shall not source power on its PI.

The PD shall withstand any voltage from 0 V to 57 V applied to the PD PI per any of the valid configurations defined in Table 145–20 indefinitely without permanent damage.

Table 145–20—PD input power configurations

Pairsets	Mode A		Mode B	
Pairs	Pair 1	Pair 2	Pair 3	Pair 4
Conductor	1 and 2	3 and 6	4 and 5	7 and 8
	Valid 2-pair configurations			
	P	N	—	—
	N	P	—	—
	—	—	P	N
	—	—	N	P
	P	N	P	—
	P	N	—	P
	N	P	P	—
	N	P	—	P
	P	—	P	N
	—	P	P	N
	P	—	N	P
	—	P	N	P
	Valid 4-pair configurations			
	N	P	N	P
	N	P	P	N
	P	N	N	P
	P	N	P	N

N denotes a pair connected to negative potential
P denotes a pair connected to positive potential
— denotes a pair not connected to a supply rail
PSEs are required to switch the negative pairs, and may switch the positive pairs as defined in 145.4.1.1.1. This may lead to both positive pairs providing current in 2-pair mode.

145.3.3 PD state diagrams

The PD state diagrams specify the externally observable behavior of a PD.

145.3.3.1 Conventions

The notation used in the state diagram follows the conventions of state diagrams as described in 145.2.5.2.

145.3.3.2 Mode designation

Dual-signature PDs are implemented on Mode A and Mode B as defined in 145.3.2. Mode information is obtained by replacing the X in the desired variable or function with the letter of the Mode of interest. Modes are referred to in general as follows:

X
 Generic Mode designator. When X is used in a state diagram, its value is local to that state diagram and not global to the set of state diagrams.
 Values:
 A: Mode A
 B: Mode B

145.3.3.3 Single-signature PD state diagrams

Single-signature PDs shall provide the behavior of the state diagram shown in Figure 145–25 and Figure 145–26.

145.3.3.3.1 Constants

$I_{Inrush_PD_max}$
 The maximum PD inrush current $I_{Inrush_PD_max}$ (see Table 145–29)
 $V_{Off_PD_min}$
 The minimum PD off voltage $V_{Off_PD_min}$ (see Table 145–29)
 $V_{Reset_PD_max}$
 The maximum PD reset voltage $V_{Reset_PD_max}$ (see Table 145–25)

145.3.3.3.2 Variables

I_{Port}
 is the total PD input current as defined in 145.1.3.
 $mdi_power_required$
 A variable indicating the PD is enabled and should request power from the PSE by applying a PD detection signature to the PI, and when the PSE sources power to apply the MPS to keep the PSE sourcing power. This variable may be set by the PD at any time.
 Values:
 FALSE: PD functionality is disabled.
 TRUE: PD functionality is enabled.
 $nopower$
 A variable that indicates the PD has been in POWEROFF, which indicates V_{PD} was below V_{Off_PD} while being powered, since the last time V_{PD} was below V_{Reset} for at least T_{Reset} .
 Values:
 FALSE: The PD has not been in POWEROFF.
 TRUE: The PD has been in POWEROFF.

pd_acs_full_power

This variable indicates whether the PD is required to draw maximum power, $P_{\text{Autoclass_PD}}$. See 145.3.6.2.

Values:

- FALSE: The PD is not required to draw maximum power.
- TRUE: The PD is required to draw maximum power for Autoclass measurement.

pd_acs_req

This variable indicates if a PD draws $P_{\text{Autoclass_PD}}$ in the Autoclass time window after reaching POWERED. See 145.3.6.2.

Values:

- FALSE: The PD does not request Autoclass.
- TRUE: The PD requests Autoclass.

pd_autoclass_enable

A variable indicating that the PD is enabled to perform Autoclass by changing its class signature to class signature 0 during the first class event (see 145.3.6.2).

Values:

- FALSE: Autoclass is disabled.
- TRUE: Autoclass is enabled.

pd_dll_capable

This variable indicates whether the PD implements Data Link Layer classification.

Values:

- FALSE: The PD does not implement Data Link Layer classification.
- TRUE: The PD does implement Data Link Layer classification.

pd_dll_enable

A variable indicating whether the Data Link Layer classification mechanism is enabled.

Values:

- FALSE: Data Link Layer classification is not enabled.
- TRUE: Data Link Layer classification is enabled.

pd_inrush_lim

A variable indicating that the PD limits the inrush current below $I_{\text{Inrush_PD}}$ and $I_{\text{Inrush_PD-2P}}$ for the duration of the PD inrush time as defined in 145.3.8.3. This variable is set per this description.

Values:

- FALSE: The PD does not limit the inrush current.
- TRUE: The PD does limit the inrush current.

pd_max_power

A variable indicating the maximum power that the PD may draw from the PSE. See power classifications in Table 145–29.

Values:

- inrush: There is no maximum power limit on the PD
- 0: The PD may draw up to 44 mA of current
- 1: PD may draw Class 1 power
- 2: PD may draw Class 2 power
- 3: PD may draw Class 3 power
- 4: PD may draw Class 4 power
- 5: PD may draw Class 5 power
- 6: PD may draw Class 6 power
- 7: PD may draw Class 7 power
- 8: PD may draw Class 8 power

pd_overload

A variable that indicates if the PD is drawing peak power in excess of $P_{\text{Class_PD}}$, as defined in 145.3.8.4, or when the PD is exposed to a transient condition as defined in 145.3.8.6.

Values:

- FALSE: The PD is not drawing peak power or is exposed to a transient condition.

- TRUE: The PD is drawing peak power and is not exposed to a transient condition.
- pd_power_update
A variable that is set when the PDMaxPowerValue in the DLL state diagram in Figure 145–44 has been updated.
Values:
FALSE: The value of PDMaxPowerValue has not changed.
TRUE: The value of PDMaxPowerValue has changed.
- pd_req_class
A variable indicating the PD requested Class.
Values:
1: The PD requests Class 1.
2: The PD requests Class 2.
3: The PD requests Class 3.
4: The PD requests Class 4.
5: The PD requests Class 5.
6: The PD requests Class 6.
7: The PD requests Class 7.
8: The PD requests Class 8.
- pd_reset
An implementation-specific variable that unconditionally resets the PD state diagram to OFFLINE. This variable may be set by the PD at any time.
Values:
FALSE: The device has not been reset.
TRUE: The device has been reset.
- PDAutoclassRequest
A variable output by the PD power control state diagram indicating whether the PD requests Autoclass via the Data Link Layer. See 145.5.
Values:
FALSE: The PD does not request an Autoclass measurement to be performed.
TRUE: The PD requests an Autoclass measurement to be performed.
- present_class_sig_0
Controls presenting the class signature ‘0’ during T_{ACS} of the first class event (see 145.3.6.2).
Values:
FALSE: Class signature 0 is not to be applied to the PI.
TRUE: Class signature 0 is to be applied to the PI.
- present_class_sig_A
Controls presenting the class signature that is used during first two class events (see 145.3.6) by the PD.
Values:
FALSE: The class signature corresponding with class_sig_A is not to be applied to the PI.
TRUE: The class signature corresponding with class_sig_A is to be applied to the PI.
- present_class_sig_B
Controls presenting the class signature that is used during the third class event and all subsequent class events (see 145.3.6) by the PD.
Values:
FALSE: The class signature corresponding with class_sig_B is not to be applied to the PI.
TRUE: The class signature corresponding with class_sig_B is to be applied to the PI.
- present_det_sig
Controls presenting the detection signature (see 145.3.4) by the PD.
Values:
invalid: A non-valid PD detection signature is to be applied to both pairsets.
valid: A valid PD detection signature is to be applied to both pairsets.
either: Either a valid or non-valid PD detection signature may be applied to each pairset.

present_mark_sig

Controls presenting the mark event current and impedance (see 145.3.6.1.1) by the PD.

Values:

- FALSE: The PD does not present mark event behavior.
- TRUE: The PD does present mark event behavior.

present_mps

Controls applying the Maintain Power Signature MPS (see 145.3.9) to the PI.

Values:

- FALSE: The MPS is not to be applied to the PI.
- TRUE: The MPS is to be applied to the PI.

pse_assigned_class

A variable that indicates the assigned Class. This variable is initially set by Physical Layer classification and may be updated through DLL classification.

Values:

- 1: Class 1
- 2: Class 2
- 3: Class 3
- 4: Class 4
- 5: Class 5
- 6: Class 6
- 7: Class 7
- 8: Class 8

pse_power_level

A variable that indicates to the PD the level of power the PSE is supplying.

Values:

- 3: The PSE has allocated the PD requested Class or Class 3 power, whichever is less.
- 4: The PSE has allocated Class 4 power.
- 6: The PSE has allocated the PD requested Class or Class 6 power, whichever is less.
- 8: The PSE has allocated the PD requested Class or Class 8 power, whichever is less.

$V_{\text{Mark_th}}$

Mark event voltage threshold (see Table 145–25)

$V_{\text{Off_PD}}$

PD power supply turn off voltage (see Table 145–29)

$V_{\text{On_PD}}$

PD power supply turn on voltage (see Table 145–29)

V_{PD}

Voltage at the PD PI as defined in 145.1.3.

$V_{\text{Reset_th}}$

Reset voltage threshold (see Table 145–25)

145.3.3.3.3 Timers

All timers operate in the manner described in 14.2.3.2 with the following addition. A timer is reset and stops counting upon entering a state where “stop x_timer” is asserted.

tacspd_timer

A timer used to change the classification current to class signature ‘0’ when a PD uses Autoclass; see T_{ACS} in Table 145–28.

tauto_pd1_timer

A timer indicating maximum delay until start of Autoclass power draw. Applies to Autoclass requests by Physical Layer classification; see $T_{\text{AUTO_PD1}}$ in 145.3.6.2.

`tauto_pd2_timer`

A timer indicating minimum delay until end of Autoclass power draw. Applies to Autoclass requests by Physical Layer classification; see $T_{\text{AUTO_PD2}}$ in 145.3.6.2.

`tinrushpdmax_timer`

A timer used to determine when the PD exits INRUSH; see $T_{\text{Inrush_PD max}}$ in Table 145–29.

`tpowerdly_timer`

A timer used to limit the PD's current and power draw from $T_{\text{Inrush_PD}}$ to T_{delay} ; see T_{delay} in Table 145–29.

145.3.3.3.4 Functions

`do_class_timing`

This function is used to evaluate the Type of PSE connected to the PI by measuring the length of the first class event. PDs that do not measure the length of the first class event return FALSE. The class event timing requirements are defined in Table 145–25. This function returns the following variable:

`long_class_event`: A variable that indicates to the PD the Type of PSE to which it is connected. This variable is used to indicate which MPS timing requirements (see 145.3.9) the PD should use. See 145.3.7.

Values:

FALSE: The PSE is identified as a Type 1 or Type 2 PSE, or the PD has not measured the length of the first class event.

TRUE: The PSE is identified as a Type 3 or Type 4 PSE.

`do_initialize`

This function returns the following variables (see 145.3.3.3.2):

`pd_autoclass_enable`

`pd_req_class`

`pd_dll_capable`

`do_update_pse_assigned_class`

A function that updates the `pse_assigned_class` based on the value of `PDMaxPowerValue` as defined in Table 145–23. This function returns the following variable:

`pse_assigned_class`: See `pse_assigned_class` defined in 145.3.3.3.2.

145.3.3.3.5 State diagrams

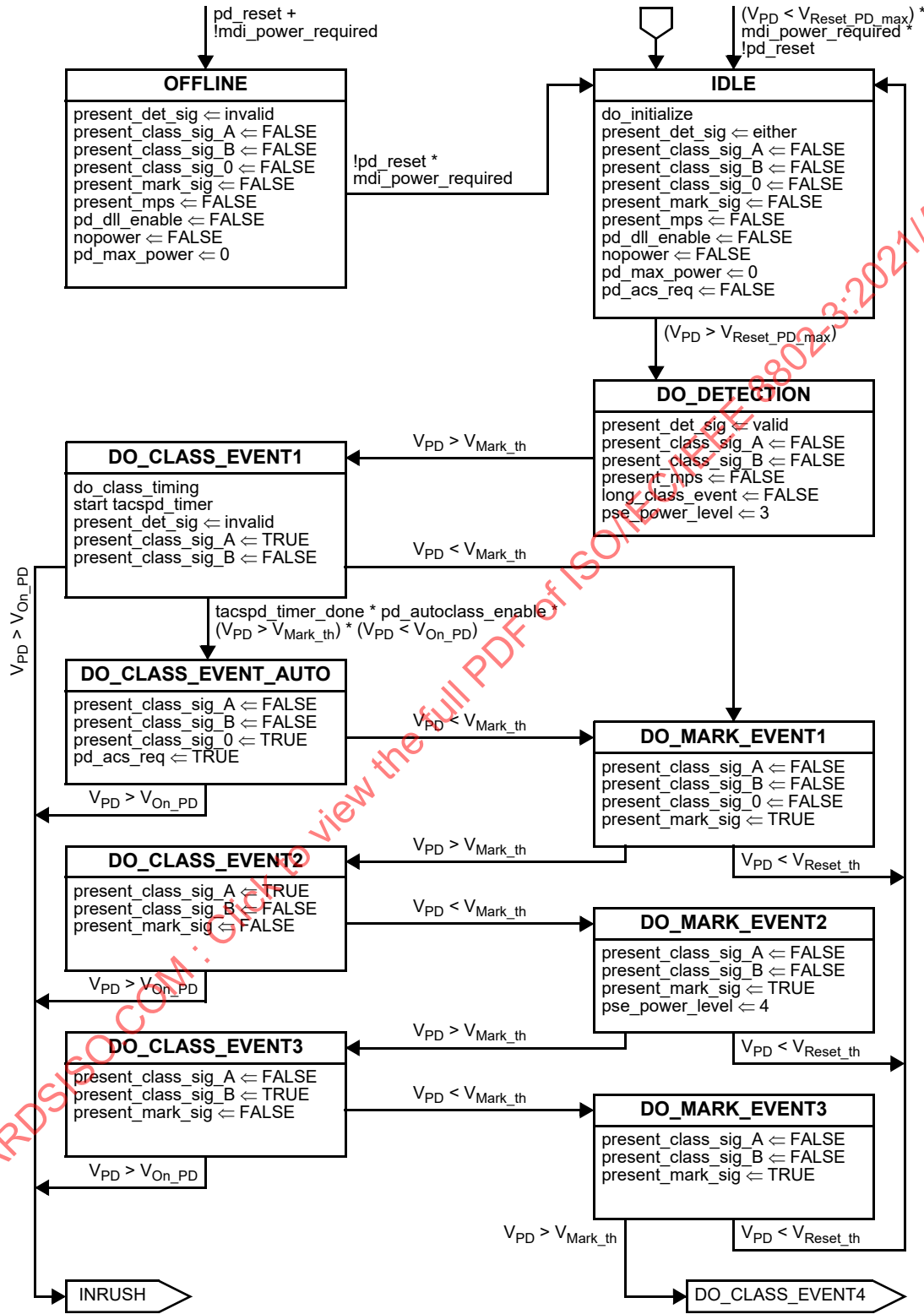


Figure 145–25—Single-signature PD state diagram

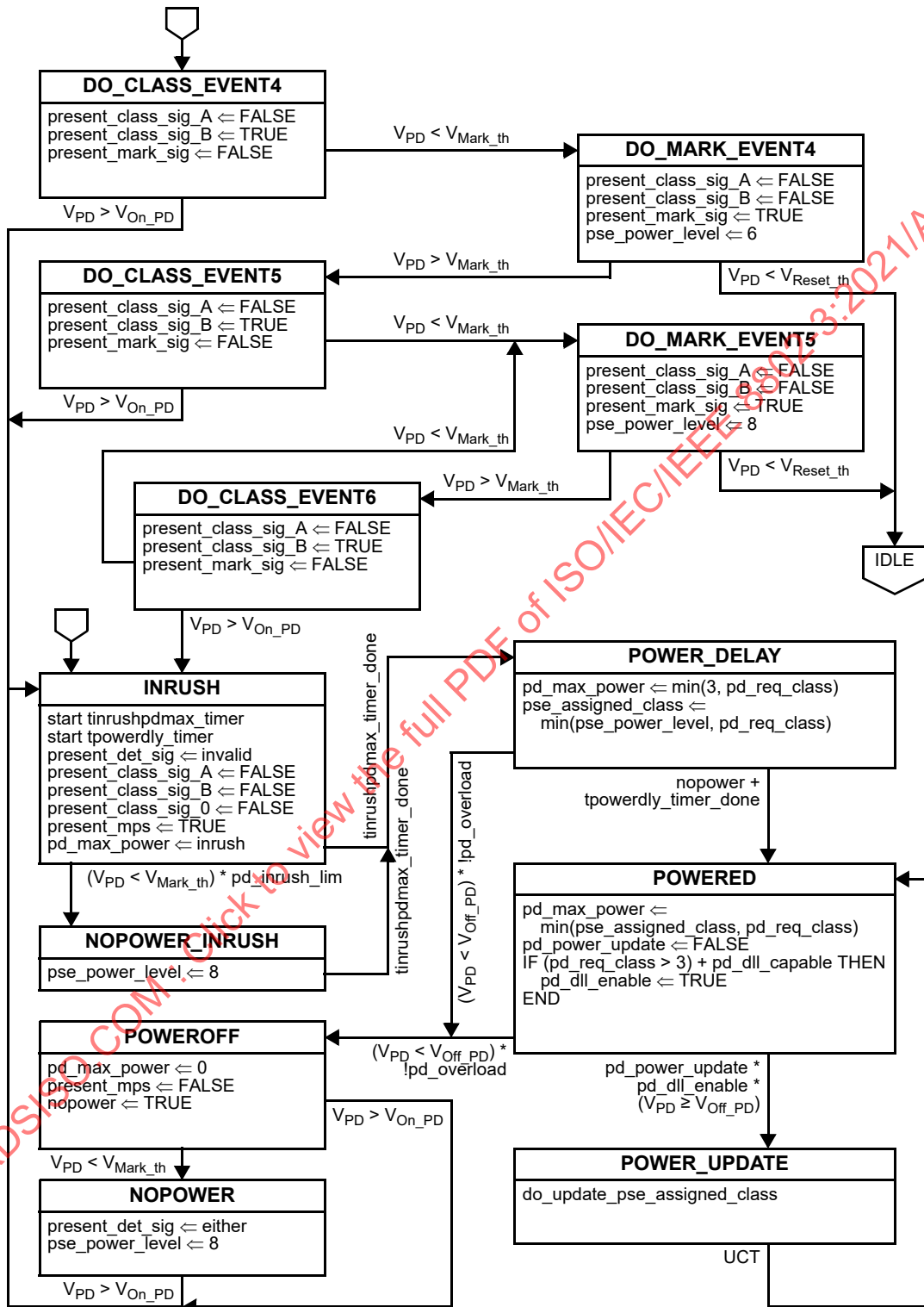


Figure 145–25—Single-signature PD state diagram (continued)

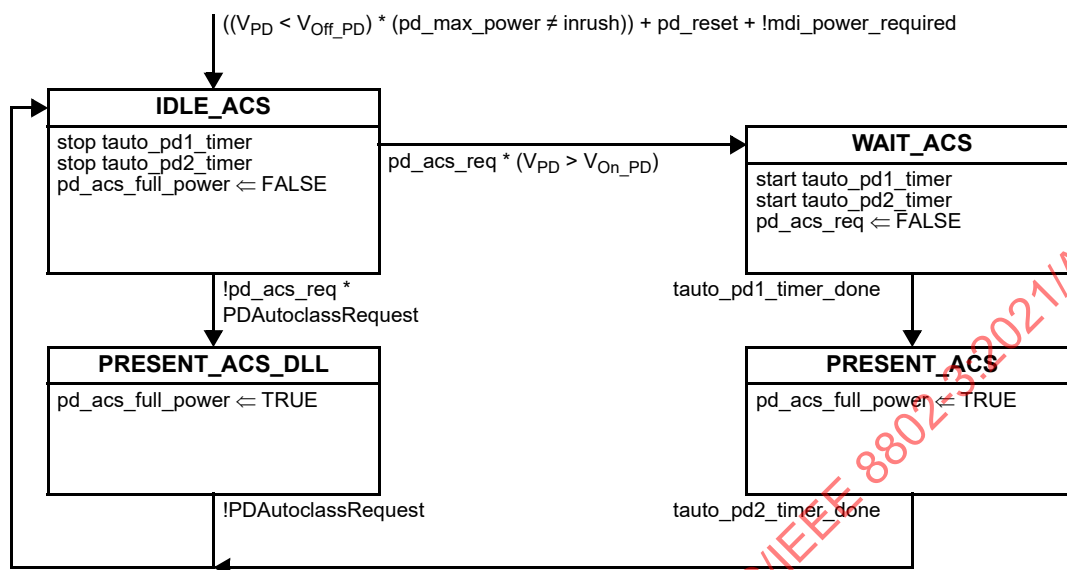


Figure 145–26—Single-signature PD Autoclass state diagram

NOTE 1—DO_CLASS_EVENT6 creates a defined behavior for a Type 3 or Type 4 PD that is brought into the classification range more than 5 times.

NOTE 2—In general, there is no requirement for a PD to respond with a valid class signature for any DO_CLASS_EVENT duration less than T_{Class_PD} as defined in Table 145–25.

145.3.3.4 Dual-signature PD state diagram

Dual-signature PDs shall provide the behavior of the state diagram shown in Figure 145–27 over each pairset independently unless otherwise specified. All the parameters that apply to Mode A and Mode B are denoted with the suffix “_mode(X)” where “X” can be “A” or “B”. A parameter that ends with the suffix “_mode(X)” may have different values for Mode A and Mode B in the independent state diagrams.

145.3.3.4.1 Constants

$I_{Inrush_PD_2P_max}$

The maximum inrush current per pairset $I_{Inrush_PD-2P_max}$ (see Table 145–29)

$V_{Off_PD_min}$

The minimum PD off voltage $V_{Off_PD_min}$ (see Table 145–29)

$V_{Reset_PD_max}$

The maximum PD reset voltage $V_{Reset_PD_max}$ (see Table 145–25)

145.3.3.4.2 Variables

$I_{Port_2P_mode(X)}$

Is the current on the negative pair ($I_{Port-2P}$) of the Mode X pairset; see 145.1.3.

$mdi_power_required$

A variable indicating that the PD is enabled and should request power from the PSE by applying a PD detection signature, and when the PSE sources power to apply the MPS to keep the PSE sourcing power. This variable may be set by the PD at any time.

Values:

- FALSE: PD functionality is disabled.
- TRUE: PD functionality is enabled.

nopower_mode(X)

A variable that indicates the PD has been in POWEROFF on Mode X, which indicates V_{PD} was below V_{Off_PD} while being powered, since the last time V_{PD} was below V_{Reset} for at least T_{Reset} .

Values:

- FALSE: The PD has not been in POWEROFF.
- TRUE: The PD has been in POWEROFF.

pd_dll_capable

This variable indicates whether the PD implements Data Link Layer classification.

Values:

- FALSE: The PD does not implement Data Link Layer classification.
- TRUE: The PD does implement Data Link Layer classification.

pd_dll_enable

A variable indicating whether the Data Link Layer classification mechanism is enabled.

Values:

- FALSE: Data Link Layer classification is not enabled.
- TRUE: Data Link Layer classification is enabled.

pd_inrush_lim_mode(X)

A variable indicating that the PD limits the inrush current on Mode X below I_{Inrush_PD-2P} for the duration of the PD inrush time as defined in 145.3.8.3. This variable is set per this description.

Values:

- FALSE: The PD does not limit the inrush current on Mode X.
- TRUE: The PD does limit the inrush current on Mode X.

pd_max_power_mode(X)

A variable indicating the maximum power that the PD may draw from the PSE on Mode X. See power classifications in Table 145–29.

Values:

- inrush: There is no maximum power limit
- 0: The PD may draw up to 44 mA of current
- 1: The PD may draw Class 1 power
- 2: The PD may draw Class 2 power
- 3: The PD may draw Class 3 power
- 4: The PD may draw Class 4 power
- 5: The PD may draw Class 5 power

pd_overload_mode(X)

A variable that indicates if the PD is drawing peak power in excess of P_{Class_PD} , as defined in 145.3.8.4, or when the PD is exposed to a transient condition as defined in 145.3.8.6, on Mode X.

Values:

- FALSE: The PD is not drawing peak power or is exposed to a transient condition.
- TRUE: The PD is drawing peak power and is not exposed to a transient condition.

pd_power_update_mode(X)

A variable that is set when the $PDMaxPowerValue_mode(X)$ in the DLL state diagram in Figure 145–46 or Figure 145–47 has been updated.

Values:

- FALSE: The value of $PDMaxPowerValue_mode(X)$ has not changed.
- TRUE: The value of $PDMaxPowerValue_mode(X)$ has changed.

pd_req_class_mode(X)

A constant indicating the PD requested Class on Mode X

Values:

- 1: The PD requests Class 1.
- 2: The PD requests Class 2.

- 3: The PD requests Class 3.
- 4: The PD requests Class 4.
- 5: The PD requests Class 5.

pd_reset_mode(X)

An implementation-specific variable that unconditionally resets the PD state diagram on Mode X to OFFLINE. This variable may be set by the PD at any time.

Values:

- FALSE: The device has not been reset.
- TRUE: The device has been reset.

present_class_sig_A_mode(X)

Controls presenting the class signature that is used during first two class events (see 145.3.6) by the PD on Mode X.

Values:

- FALSE: The class signature corresponding with class_sig_A is not to be applied to the pairset.
- TRUE: The class signature corresponding with class_sig_A is to be applied to the pairset.

present_class_sig_B_mode(X)

Controls presenting the class signature that is used during the third class event and all subsequent class events (see 145.3.6) by the PD on Mode X.

Values:

- FALSE: The class signature corresponding with class_sig_B is not to be applied to the pairset.
- TRUE: The class signature corresponding with class_sig_B is to be applied to the pairset.

present_det_sig_mode(X)

Controls presenting the detection signature (see 145.3.4) by the PD on Mode X.

Values:

- invalid: A non-valid PD detection signature is to be applied to the pairset on Mode X.
- valid: A valid PD detection signature is to be applied to the pairset on Mode X.
- either: Either a valid or non-valid PD detection signature may be applied to the pairset.

present_mark_sig_mode(X)

Controls presenting the mark event current and impedance (see 145.3.6.1.1) by the PD on Mode X.

Values:

- FALSE: The PD does not present mark event behavior.
- TRUE: The PD does present mark event behavior.

present_mps_mode(X)

Controls applying MPS (see 145.3.9) to the PD's PI on Mode X.

Values:

- FALSE: The Maintain Power Signature (MPS) is not to be applied to the PD's PI.
- TRUE: The MPS is to be applied to the PD's PI.

pse_assigned_class_mode(X)

A variable (generated by the PD) that indicates the PSE assigned Class on Mode X to the PD. This variable is initially set by Physical Layer classification and may be updated through DLL classification.

Values:

- 1: Class 1.
- 2: Class 2.
- 3: Class 3.
- 4: Class 4.
- 5: Class 5.

pse_power_level_mode(X)

A variable that indicates to the PD the level of power the PSE is supplying on Mode X.

Values:

- 3: The PSE has allocated the PD requested Class or Class 3 power, whichever is less.
- 4: The PSE has allocated Class 4 power.
- 5: The PSE has allocated Class 5 power.

- $V_{\text{Mark_th}}$
Mark event voltage threshold (see Table 145–25)
- $V_{\text{Off_PD}}$
PD power supply turn off voltage (see Table 145–29)
- $V_{\text{On_PD}}$
PD power supply turn on voltage (see Table 145–29)
- $V_{\text{PD_mode}(X)}$
 V_{PD} of the Mode X pairset; see 145.1.3.
- $V_{\text{Reset_th}}$
Reset voltage threshold (see Table 145–25)

145.3.3.4.3 Timers

All timers operate in the manner described in 14.2.3.2 with the following addition. A timer is reset and stops counting upon entering a state where “stop x_timer” is asserted.

- $t_{\text{Inrush_pdmax_timer_mode}(X)}$
A timer used to determine when the PD exits INRUSH on Mode X; see $T_{\text{Inrush_PD max}}$ in Table 145–29.
- $t_{\text{powerdly_timer_mode}(X)}$
A timer used to limit the PD’s current and power draw on Mode X from $T_{\text{Inrush_PD}}$ to T_{delay} ; see T_{delay} in Table 145–29.

145.3.3.4.4 Functions

- $\text{do_class_timing_mode}(X)$
This function is used by a PD to evaluate the Type of PSE connected to the pairset by measuring the length of the class event on Mode X. The class event timing requirements are defined in Table 145–25. This function returns the following variable:

 $\text{long_class_event_mode}(X)$: A variable that indicates to the PD the Type of PSE to which it is connected. This variable is used to indicate which MPS timing requirements (see 145.3.9) the PD should use. See 145.3.7.
Values:
FALSE: The PSE is identified as a Type 1 or Type 2 PSE.
TRUE: The PSE is identified as a Type 3 or Type 4 PSE.
- $\text{do_initialize_mode}(X)$
This function returns the following variables (see 145.3.3.4.2):

 $\text{pd_req_class_mode}(X)$
 pd_dll_capable
 $\text{do_update_pse_assigned_class_mode}(X)$
A function that updates the $\text{pse_assigned_class_mode}(X)$ based on the value of $\text{PDMaxPowerValue_mode}(X)$ as defined in Table 145–23. This function returns the following variable:

 $\text{pse_assigned_class_mode}(X)$: See $\text{pse_assigned_class_mode}(X)$ defined in 145.3.3.4.2.

145.3.3.4.5 State diagram

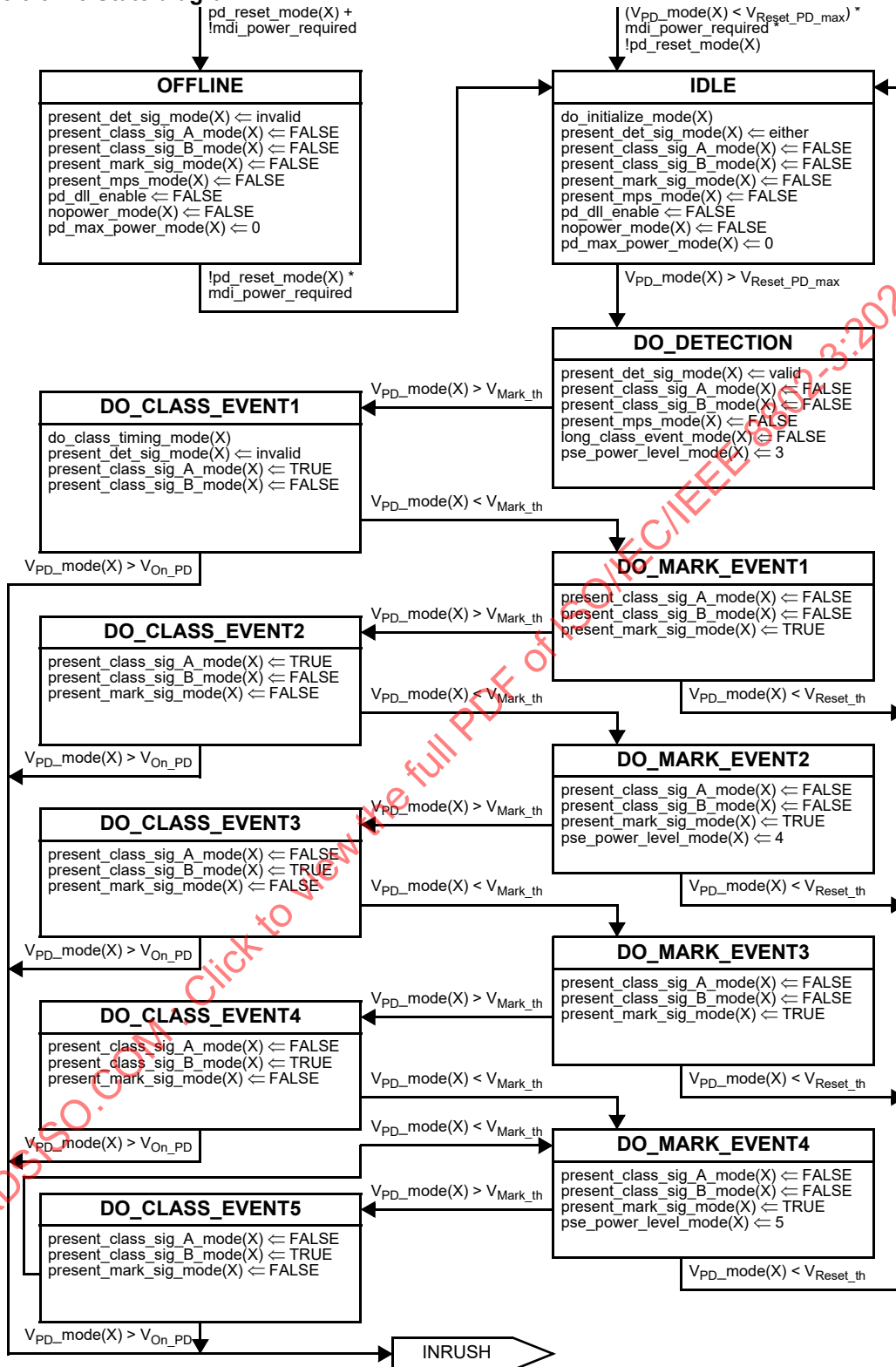


Figure 145-27—Dual-signature PD state diagram

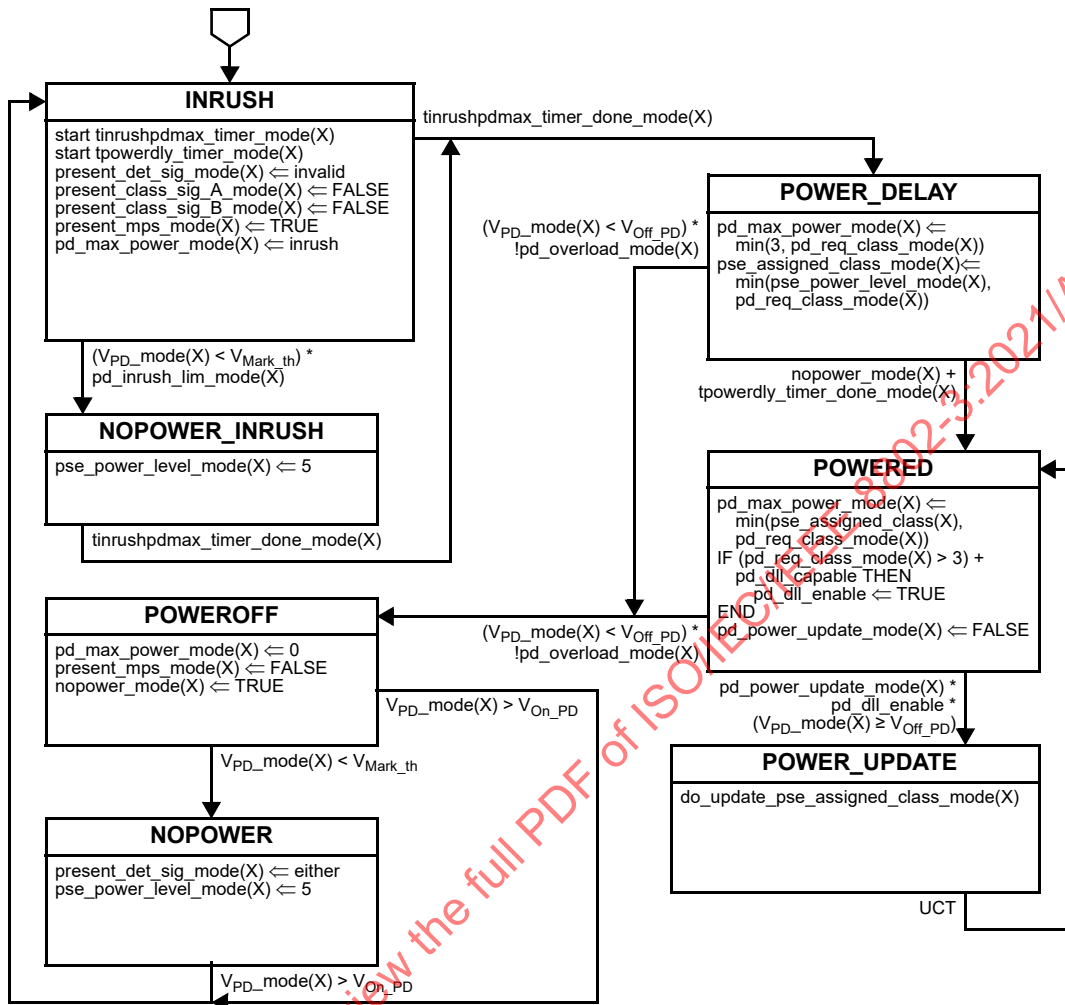


Figure 145–27—Dual-signature PD state diagram (continued)

145.3.4 PD valid and non-valid detection signatures

A PD presents a valid detection signature when it is in DO_DETECTION per Figure 145–25 or Figure 145–27. See 145.3.5.

A PD presents a non-valid detection signature on both pairsets while it is in a state where it does not accept power via the PI per Figure 145–25 or Figure 145–27.

A PD presents a non-valid detection signature when in a mark event state per Figure 145–25 or Figure 145–27.

When a PD presents a valid or non-valid detection signature, it shall present the detection signature at the PI between Positive V_{PD} and Negative V_{PD} of PD Mode A and PD Mode B as defined in 145.3.2.

While a PD presents a valid detection signature on a given Mode, that detection signature shall be valid when presented under each of the following conditions (see Figure 145–28):

- With any resistance greater than 45 kΩ across the other Mode
- With any resistance greater than 45 kΩ across the other Mode and one pair of the other Mode connected to the positive potential of the given Mode

A single-signature PD that is powered over only one pairset shall present a non-valid detection signature on the unpowered pairset. A dual-signature PD that is powered over only one pairset shall present a valid detection signature on the unpowered pairset.

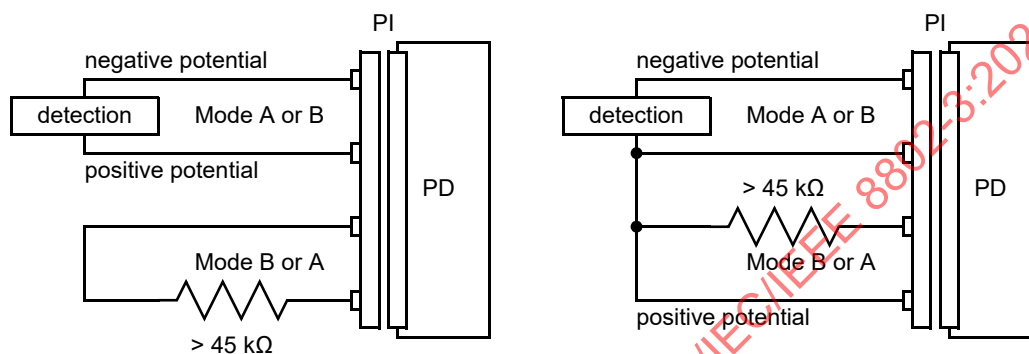


Figure 145–28—Detection signature requirements connection configurations

A PD may or may not present a valid detection signature when in IDLE.

The detection signature is a resistance calculated from two voltage/current measurements made during the detection process as defined in Equation (145–23).

$$R_{\text{detect}} = \left\{ \frac{(V_2 - V_1)}{(I_2 - I_1)} \right\}_{\Omega} \quad (145-23)$$

where

- V_1 and V_2 are the first and second voltage measurements made at the PD PI, respectively
- I_1 and I_2 are the first and second current measurements made at the PD PI, respectively
- R_{detect} is the effective resistance

A valid PD detection signature shall have the characteristics of Table 145–21.

A non-valid detection signature shall have one or both of the characteristics in Table 145–22.

A PD that presents a detection signature outside of Table 145–21 is non-compliant, while a PD that presents the signature of Table 145–22 is assured to fail detection.

Table 145–21—Valid PD detection signature characteristics, measured at the PD PI

Parameter	Conditions	Min	Max	Unit	Additional information
R_{detect} (at any 1 V or greater chord within the voltage range conditions)	2.7 V to 10.1 V	23.7	26.3	k Ω	—
V_{offset}	—	0	1.9	V	See Figure 145–29
Voltage at the PI	$I_{\text{Port-2P}} = 124 \mu\text{A}$	2.7	—	V	—
Input capacitance	2.7 V to 10.1 V	0.05	0.12	μF	—
Series input inductance	2.7 V to 10.1 V	—	100	μH	—

Table 145–22—Non-valid PD detection signature characteristics, measured at PD PI

Parameter	Conditions	Range of values	Unit
R_{detect}	$V_{\text{PD}} < 10.1 \text{ V}$	Either greater than 45 or less than 12	k Ω
Input capacitance	$V_{\text{PD}} < 10.1 \text{ V}$	Greater than 10	μF

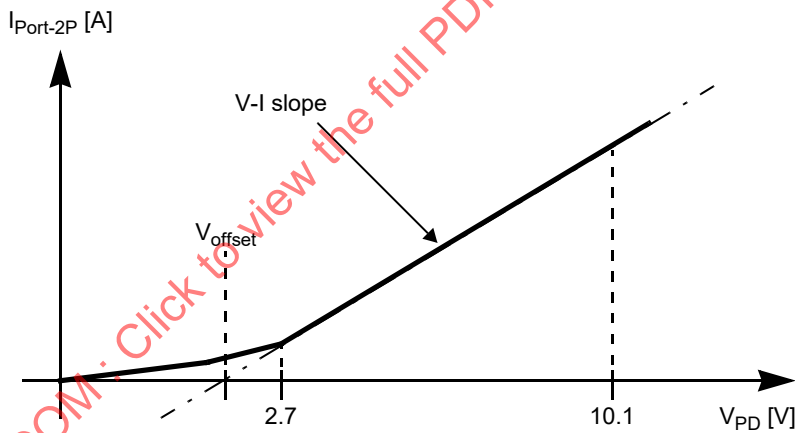


Figure 145–29—Valid PD detection signature offset

145.3.5 PD signature configurations

A single-signature PD shall present a valid detection signature, as defined in Table 145–21, on a given Mode when no voltage or current is applied across the other Mode, and shall not present a valid detection signature on the given Mode when any voltage in the range of 3.7 V to 57 V is applied across the other Mode or any current greater than 124 μA is drawn from the negative pair of the other Mode. These requirements apply to both Mode A and Mode B.

NOTE—A valid detection signature meets every requirement in Table 145–21 across all specified conditions. A failure under any allowed condition is considered “not a valid signature.”

A dual-signature PD shall present a valid detection signature, as defined in Table 145–21, on a given Mode, regardless of any voltage between 0 V and 57 V applied to the other Mode. This requirement applies to both Mode A and Mode B.

These requirements allow the PD to be correctly identified by a PSE performing connection check as defined in 145.2.7.

145.3.6 PD classification

A PD may be classified by the PSE based on Physical Layer classification, Data Link Layer (DLL) classification, or a combination of both provided by the PD. The intent of PD classification is to provide information about the maximum power required by the PD during operation. Additionally, classification is used by the PSE and the PD to mutually identify the Type of the device to which they are connected.

See 145.2.8 for a general description of classification mechanisms. See 145.2.8.2 and 145.3.6.2 for a description of the optional Autoclass mechanism.

The requested Class of the PD is the Class the PD advertises during Physical Layer classification. It represents the amount of power the PD requires for operation. The PD shall draw no more power across any voltage in the range of V_{Port_PD-2P} than defined for the requested Class in Table 145–26 and Table 145–27. Up to 3 class events may be required to discover the requested Class of the PD.

Depending on the number of class events produced by the PSE, the assigned Class is equal to or lower than the PD requested Class. The PD shall conform to the assigned Class, regardless of its requested Class. After a successful DLL classification, the assigned Class changes depending on the value of PDMaxPowerValue for single-signature PDs and PDMaxPowerValue_mode(X) for dual-signature PDs, as defined in Table 145–23.

Table 145–23—Relation of assigned Class and DLL

Single-signature		Dual-signature	
PDMaxPowerValue	Assigned Class	PDMaxPowerValue_mode(X)	Assigned Class on Mode X
1 to 39	1	1 to 39	1
40 to 65	2	40 to 65	2
66 to 130	3	66 to 130	3
131 to 255	4	131 to 255	4
256 to 400	5	256 to 499	5
401 to 510	6		
511 to 620	7		
621 to 999	8		

PDs shall provide Multiple-Event Physical Layer classification as defined in 145.3.6.1.

Single-signature PDs that request Class 1, 2, or 3 may provide Data Link Layer classification (see 145.5). Single-signature PDs that request Class 4 or higher and dual-signature PDs that request Class 4 or higher on at least one of its Modes shall provide DLL classification.

PD classification behavior shall conform to the state diagram in Figure 145–25 or Figure 145–27, and shall conform to the electrical specifications defined in Table 145–24 and Table 145–25.

A PD that is assigned to a Class lower than the Class it requested shall provide the user with an active indication if underpowered. The method of active indication is left to the implementer.

145.3.6.1 PD Multiple-Event class signature

The response of the PD to Multiple-Event Physical Layer classification consists of two class signatures, class_sig_A and class_sig_B as described by Table 145–26 or Table 145–27.

PDs shall present class_sig_A during DO_CLASS_EVENT1 and DO_CLASS_EVENT2 and class_sig_B during DO_CLASS_EVENT3, DO_CLASS_EVENT4, DO_CLASS_EVENT5, and DO_CLASS_EVENT6, as shown in Figure 145–25 and Figure 145–27, with the corresponding classification signatures specified in Table 145–24. PDs implementing Autoclass shall present class signature 0, as defined in Table 145–24, during DO_CLASS_EVENT_AUTO as defined in 145.3.6.2.

After entering a DO_CLASS_EVENT state, the PD Physical Layer class signature shall be valid within $T_{\text{Class_PD}}$ as defined in Table 145–25 and remain valid for the remainder of the class event.

$V_{\text{Reset_PD}}$, as defined in Table 145–25, is the voltage range in which the PD remains in IDLE.

Single-signature PDs shall advertise class signatures according to the PD Type and PD requested Class, as defined in Table 145–26. For single-signature PDs, the PD requested Class on either pairset is the maximum amount of power requested by the PD.

NOTE—Requested Class 0 is not defined for Type 3 PDs. A Type 1 PD that does not implement Physical Layer classification requests Class 0, with a power level equivalent to Class 3. Such PDs are assigned to Class 3 by Type 3 and Type 4 PSEs.

Dual-signature PDs shall advertise class signatures according to the PD Type and PD requested Class on each pairset, as defined in Table 145–27. For dual-signature PDs, the PD requested Class on a pairset is the maximum amount of power requested by the PD on that pairset. Dual-signature PDs may advertise different class signatures on each pairset. A dual-signature PD that is powered over only one pairset shall present a valid class signature on the unpowered pairset.

After a successful Multiple-Event Physical Layer classification has completed, a single-signature PD sets the pse_power_level variable to either 3, 4, 6 or 8. Based on the value of pse_power_level and the PD requested Class, pd_req_class, the assigned Class is derived in the variable pse_assigned_class.

After a successful Multiple-Event Physical Layer classification has completed, a dual-signature PD sets the pse_power_level_mode(X) variable to either 3, 4, or 5. Based on the value of pse_power_level_mode(X) and the PD requested Class, pd_req_class_mode(X), the assigned Class is derived in the variable pse_assigned_class_mode(X).

Table 145–24—Class signatures generated at the PD PI

Parameter	Conditions	Minimum	Maximum	Unit
Current for class signature 0	14.5 V to 20.5 V	1	4	mA
Current for class signature 1		9	12	
Current for class signature 2		17	20	
Current for class signature 3		26	30	
Current for class signature 4		36	44	

Table 145–25—Multiple-Event Physical Layer classification electrical requirements

Item	Parameter	Symbol	Units	Min	Max	Additional information
1	Class event voltage	V_{Class_PD}	V	14.5	20.5	
2	Mark event voltage	V_{Mark_PD}	V	6.9	10.1	—
3	Mark event current	I_{Mark}	mA	0.25	4	See 145.3.6.1.1
4	Mark event threshold	V_{Mark_th}	V	10.1	14.5	See 145.3.6.1.1
5	Classification reset threshold	V_{Reset_th}	V	2.81	6.9	See 145.3.6.1.1
6	Classification reset voltage	V_{Reset_PD}	V	0	2.81	See 145.3.6.1
7	Long first class event timing	T_{LCE_PD}	ms	75.5	87.5	See 145.3.7
8	PD classification stability time	T_{Class_PD}	ms	—	5	See 145.3.6.1

Table 145–26—Physical Layer classifications and Multiple Event Responses for single-signature PDs

PD Type	Requested Class	class_sig_A class signature	class_sig_B class signature	Requested power (W)
3	1	1	1	3.84
	2	2	2	6.49
	3	3	3	13
	4	4	4	25.5
	5	4	0	40
	6	4	1	51
4	7	4	2	62
	8	4	3	71.3

NOTE 1—See Table 145–24 for definition of class signatures 0 to 4.
NOTE 2—PDs may be assigned to a lower Class than the PD requested Class, which results in a lower value of P_{Class_PD} .

Table 145–27—Physical Layer classifications and Multiple Event Responses for dual-signature PDs

PD Type	Requested Class per pairset	class_sig_A class signature	class_sig_B class signature	Requested power (W)
3	1	1	0	3.84
	2	2	0	6.49
	3	3	0	13
	4	4	0	25.5
4	5	4	3	35.6

NOTE 1—See Table 145–24 for definition of class signatures 0 to 4.
 NOTE 2—PDs may be assigned to a lower Class than the PD requested Class, which results in a lower value of P_{Class_PD-2P} .

145.3.6.1.1 Mark Event behavior

When the PD is presenting a mark event signature in a DO_MARK_EVENT state, as shown in the state diagram of Figure 145–25 and Figure 145–27, the PD shall draw I_{Mark} as defined in Table 145–25 and present a non-valid detection signature as defined in Table 145–22.

The PD shall not exceed the I_{Mark} current limits when voltage at the PI enters the V_{Mark_PD} specification as defined in Table 145–25.

V_{Mark_th} is the PI voltage threshold at which the PD transitions into, and one of the voltage thresholds to transition out of, the DO_CLASS_EVENT states as shown in Figure 145–25 and Figure 145–27.

Implementations should employ appropriate methods (such as hysteresis in V_{Mark_th}) to avoid erroneous transitions between class and mark states when the PSE switches from a class voltage to a mark voltage or vice versa.

V_{Reset_th} is the PI voltage threshold at which the PD transitions from a DO_MARK_EVENT state to IDLE as shown in Figure 145–25 and Figure 145–27.

145.3.6.2 Autoclass (optional)

Single-signature PDs may choose to implement an extension of Physical Layer classification known as Autoclass. Autoclass is only defined for single-signature PDs. The purpose of Autoclass is to allow the PSE to determine the actual maximum power draw of the connected PD. See 145.2.8.2.

A PD that implements Autoclass shall change its current during the first class event to class signature 0 no earlier than $T_{ACS\ min}$ and no later than $T_{ACS\ max}$, as defined in Table 145–28.

After power up, a PD that implements Autoclass shall draw its highest required power, $P_{Autoclass_PD}$, subject to the requirements on P_{Class_PD} in 145.3.8.2, throughout the period bounded by T_{AUTO_PD1} and T_{AUTO_PD2} , measured from when V_{PD} rises above V_{On_PD} . The PD is restricted to a maximum power draw of $P_{Autoclass_PD}$ until the PD successfully negotiates a higher power level through Data Link Layer classification as defined in 145.5.

Table 145–28—Autoclass PD timing requirements

Item	Parameter	Symbol	Units	Min	Max	Additional Information
1	Autoclass signature timing	T_{ACS}	ms	75.5	87.5	Measured from transition to DO_CLASS_EVENT1
2	Autoclass power draw start time	T_{AUTO_PD1}	ms	—	1350	Measured from when V_{PD} rises above V_{On_PD}
3	Autoclass power draw end time	T_{AUTO_PD2}	ms	3650	—	

145.3.7 PSE Type identification

PDs may determine the Type of the PSE they are connected to by measuring the duration of the first class event. Such a PD may set long_class_event to TRUE if the first class event is longer than T_{LCE_PD} min and shall set long_class_event to TRUE if the first class event is longer than T_{LCE_PD} max. If long_class_event is FALSE, this indicates the PSE is a Type 1 or Type 2 PSE. If long_class_event is TRUE this indicates the PSE is a Type 3 or Type 4 PSE. This determination allows the PD to make use of short MPS to reduce standby power.

145.3.8 PD power

The PD shall operate within the characteristics in Table 145–29.

The PD may be capable of drawing power from a local power source. When a local power source is provided, the PD may draw some, none, or all of its power from the PI.

Table 145–29—PD power supply limits

Item	Parameter	Symbol	Unit	Min	Max	Additional information
1	Input DC voltage per pairset per the assigned Class					
	Class 1	V_{Port_PD-2P}	V	42.8	57	See 145.3.8.1, Table 145–1
	Class 2			42		
	Class 3			39.9		
	Class 4			42.5		
	Class 5, single-signature PD			44.3		
	Class 5, dual-signature PD			41.1		
	Class 6			42.5		
	Class 7			42.9		
Class 8	41.1					
2	Transient operating input voltage per pairset	V_{Tran_PD-2P}	V	36	—	See 145.3.8.6

Table 145–29—PD power supply limits (continued)

Item	Parameter	Symbol	Unit	Min	Max	Additional information
3	Input voltage range during overload for a single-signature PD per the assigned Class					See 145.3.8.4
	Class 1 to 6	$V_{\text{Overload-2P}}$	V	39.4	—	
	Class 7 to 8			40.4	—	
	Input voltage range during overload for a dual-signature PD per the assigned Class					
	Class 1 to 4	$V_{\text{Overload-2P}}$	V	39.4	—	
	Class 5			40.4	—	
4	Input inrush current for a single-signature PD per the assigned Class					
	Class 1 to 6	$I_{\text{Inrush_PD}}$	A	—	0.4	See 145.3.8.3
	Class 7 to 8			—	0.8	
5	Input inrush current per pairset per the assigned Class					
	Single-signature PD, Class 1 to 6	$I_{\text{Inrush_PD-2P}}$	A	—	0.4	See 145.3.8.3
	Single-signature PD, Class 7 to 8			—	0.6	
	Dual-signature PD, Class 1 to 5			—	0.4	
6	Inrush to PD current control delay	$T_{\text{Inrush_PD}}$	ms	—	50	
7	Inrush to operating state delay	T_{delay}	ms	80	—	See 145.3.8.3
8	Input average power for single-signature PDs per the assigned Class					
	Class 1	$P_{\text{Class_PD}}$	W	—	3.84	See 145.3.8.2, 145.3.6, Table 145–1, Table 145–26
	Class 2			—	6.49	
	Class 3			—	13	
	Class 4			—	25.5	
	Class 5			—	40	
	Class 6			—	51	
	Class 7			—	62	
	Class 8			—	71.3	
9	Input average power for a pairset for dual-signature PDs per the assigned Class					
	Class 1	$P_{\text{Class_PD-2P}}$	W	—	3.84	See 145.3.8.2, 145.3.6, Table 145–1, Table 145–27
	Class 2			—	6.49	
	Class 3			—	13	
	Class 4			—	25.5	
	Class 5			—	35.6	

Table 145–29—PD power supply limits (continued)

Item	Parameter	Symbol	Unit	Min	Max	Additional information
10	Peak operating power for single-signature PDs per the assigned Class					
	Class 1	$P_{\text{Peak_PD}}$	W	—	5	See 145.3.8.4
	Class 2			—	8.36	
	Class 3			—	14.4	
	Class 4			—	28.3	
	Class 5			—	42	
	Class 6			—	53.5	
	Class 7			—	65.1	
Class 8	—			74.9		
11	Peak operating power for a pairset for dual-signature PDs per the assigned Class					
	Class 1	$P_{\text{Peak_PD-2P}}$	W	—	5	See 145.3.8.4
	Class 2			—	8.36	
	Class 3			—	14.4	
	Class 4			—	28.3	
	Class 5			—	37.4	
Class 6	—			46.7		
12	Input current slew rate	I_{Slewrte}	mA/ μs	—	4.7	See 145.3.8.5
13	Single-signature PD capacitance while in INRUSH, POWER_DELAY, or POWERED					
	Class 1 to 4	C_{Port}	μF	5	—	See 145.3.8.3, 145.3.8.6
	Class 5 to 6			10	—	
	Class 7 to 8			20	—	
Class 9 to 10	30			—		
14	Dual-signature PD pairset capacitance while in INRUSH, POWER_DELAY, or POWERED					
	Class 1 to 4	$C_{\text{Port-2P}}$	μF	5	—	See 145.3.8.3, 145.3.8.6
	Class 5 to 6			10	—	
Class 7 to 8	20			—		
15	Ripple and noise					
	< 500 Hz	$V_{\text{Noise_PD}}$	V_{pp}	—	0.5	See 145.3.8.7
	500 Hz to 150 kHz			—	0.2	
	150 kHz to 500 kHz			—	0.15	
	500 kHz to 1 MHz			—	0.1	
> 1 MHz	—			0.05		
16	PD power supply turn on voltage	$V_{\text{On_PD}}$	V	30	42	See 145.3.8.1
17	PD power supply turn off voltage	$V_{\text{Off_PD}}$	V	30	$V_{\text{Port_PD-2P min}}$	See 145.3.8.1
18	Reflected voltage	V_{refl}	V	—	2.8	See 145.3.8.8

145.3.8.1 Input voltage

The specification for $V_{\text{Port_PD-2P}}$ in Table 145–29 is for the input voltage range after startup (see 145.3.8.3), and accounts for loss in the cabling plant.

The PD shall turn on at a voltage in the range of $V_{\text{On_PD}}$. After the PD turns on, the PD shall stay on over the entire $V_{\text{Port_PD-2P}}$ range. After reaching POWER_DELAY, the PD shall turn off at a voltage in the range of $V_{\text{Off_PD}}$. For dual-signature PDs the requirements for $V_{\text{On_PD}}$ and $V_{\text{Off_PD}}$ apply to each pairset individually. A PD shall not turn off due to peak power draw, causing V_{PD} to go as low as $V_{\text{Overload-2P}}$, as specified in 145.3.8.4, or due to a voltage transient as defined in 145.3.8.6. This behavior is encoded in the variable pd_overload and pd_overload_mode(X).

The PD shall turn on or off without startup oscillation and within the first trial at any load value when fed by $V_{\text{Port_PSE-2P min}}$ to $V_{\text{Port_PSE-2P max}}$ (as defined in Table 145–16):

- With a series resistance less than or equal to R_{Ch} for assigned Class 1 through 4 to a single-signature PD.
- With a series resistance less than or equal to $R_{\text{Ch}} / 2$ for assigned Class 5 through 8 to a single-signature PD.
- With a series resistance less than or equal to R_{Ch} connected to a given Mode of a dual-signature PD.

$V_{\text{On_PD min}}$ is set at 30 V to align with $V_{\text{Off_PD min}}$. It is recommended that a PD implements hysteresis between $V_{\text{On_PD}}$ and $V_{\text{Off_PD}}$.

When the PD is in POWEROFF and V_{PD} falls below $V_{\text{Mark_th}}$, the PD transitions to NOPOWER and may show a valid or invalid detection signature, and may or may not draw mark current, draw any class current, and show MPS. Interoperability between PSE and PD is no longer guaranteed when nopower is TRUE or the PD has entered NOPOWER_INRUSH since the last time V_{PD} was below $V_{\text{Reset_PD max}}$.

145.3.8.2 Input average power

$P_{\text{Port_PD}}$ is the average power drawn by a single-signature PD, measured using a sliding window with a width of 1 second. $P_{\text{Port_PD-2P}}$ is the average power drawn by a given Mode of a dual-signature PD, measured using a sliding window with a width of 1 second.

For single-signature PDs, $P_{\text{Port_PD}}$ shall not exceed $P_{\text{Class_PD}}$ for the assigned Class. For dual-signature PDs, $P_{\text{Port_PD-2P}}$ shall not exceed $P_{\text{Class_PD-2P}}$ for the assigned Class.

A PD that has enabled Autoclass during Physical Layer classification or has requested Autoclass through DLL, shall not draw more power than $P_{\text{Autoclass_PD}}$, unless the PD successfully negotiates a different power level, up to the PD requested Class, through Data Link Layer classification as defined in 145.5.

$P_{\text{Class_PD}}$ and $P_{\text{Class_PD-2P}}$ defined in Table 145–29 are determined per the assigned Class. The assigned PSE Class is determined by the number of class events and the PD requested Class, as shown in Table 145–11. $P_{\text{Class_PD}}$ is the maximum average PI power and applies to single-signature PDs. $P_{\text{Class_PD-2P}}$ is the maximum average power on a pairset and applies to dual-signature PDs.

PDs may dynamically adjust their maximum required operating power below $P_{\text{Class_PD}}$ or $P_{\text{Class_PD-2P}}$ as described in 145.5. PDs may also adjust their maximum required operating power below $P_{\text{Class_PD}}$ by using Autoclass (see 145.3.6.2).

Single-signature PDs that have successfully completed DLL classification shall not exceed a power consumption of PDMaxPowerValue as defined in 145.5.3.3.1. Dual-signature PDs that have successfully

completed DLL classification shall not exceed a power consumption of $P_{\text{MaxPowerValue_mode}(X)}$ on Mode X as defined in 145.5.3.4.2.

145.3.8.2.1 Input average power exceptions

For single-signature PDs assigned to Class 8 and $P_{\text{MaxPowerValue}}$ set to 713 or greater, when additional information is available to the PD regarding actual link section DC resistance between the PSE PI and the PD PI, the PD may consume greater than $P_{\text{Class_PD}}$ but shall not consume greater than P_{Class} at the PSE PI and shall not draw a total 4-pair current in excess of $2 \times I_{\text{Cable}}$ as defined in Table 145–1.

For dual-signature PDs assigned to Class 5 and $P_{\text{MaxPowerValue_mode}(X)}$ set to 356 or greater, when additional information is available to the PD regarding actual link section DC resistance between the PSE PI and the PD PI, the PD may consume greater than $P_{\text{Class_PD-2P}}$ but shall not consume greater than $P_{\text{Class-2P}}$ on the pairset at the PSE PI and shall not draw current in excess of I_{Cable} as defined in Table 145–1.

145.3.8.2.2 System stability test conditions during startup and steady state operation

When connected together as a system, the PSE and PD might exhibit instability at the PSE side, the PD side, or both due to the presence of negative impedance at the PD input. See Annex 33A for PD design guidelines for stable operation.

Stable operation may be verified by confirming that the PD meets $V_{\text{Noise_PD}}$, as defined in Table 145–29, when the PD is powered by a voltage source set in the range of $V_{\text{Port_PSE-2P}}$, as defined in Table 145–16, through a series resistance of R_{Ch} , as defined in Table 145–1, and the PD is operating at or below $P_{\text{Class_PD}}$ or $P_{\text{Class_PD-2P}}$.

145.3.8.3 Input inrush current

The PD inrush time duration is defined as beginning with the application of input voltage at the PI when V_{PD} crosses the PD power supply turn on voltage, $V_{\text{On_PD}}$ as defined in Table 145–29, and ends after T_{delay} .

The inrush current is the initial current drawn by the PD, which is used to charge C_{Port} or $C_{\text{Port-2P}}$. A PD may limit the inrush current below $I_{\text{Inrush_PD}}$ and $I_{\text{Inrush_PD-2P}}$ to allow for large values of C_{Port} and $C_{\text{Port-2P}}$.

The PSE limits the inrush current to I_{Inrush} and $I_{\text{Inrush-2P}}$, for at least $T_{\text{Inrush_PD max}}$, as defined in Table 145–16 and Table 145–29.

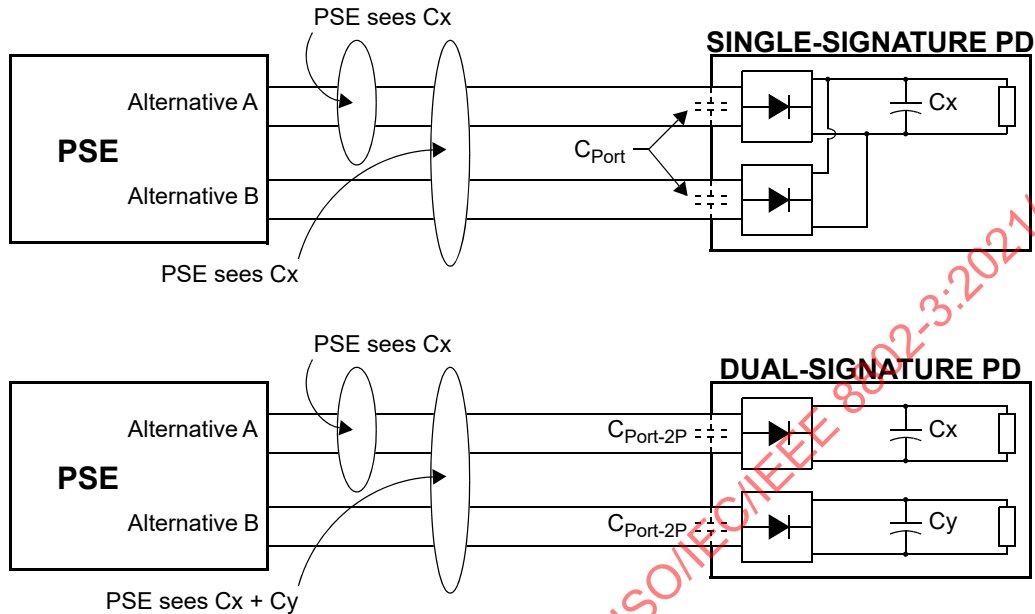
PDs shall draw less than $I_{\text{Inrush_PD}}$ and $I_{\text{Inrush_PD-2P}}$ from $T_{\text{Inrush_PD max}}$ until $T_{\text{delay min}}$, when connected to a source that meets the requirements of 145.2.10.7. This delay is required so that the PD does not enter a high power state before the PSE has had time to change the available current from the POWER_UP to the POWER_ON limits. A PD can meet this requirement by either having C_{Port} or $C_{\text{Port-2P}}$ charged within $T_{\text{Inrush_PD max}}$ or by limiting the input inrush current.

Single-signature PDs assigned to Class 1, 2, or 3 shall conform to $P_{\text{Class_PD}}$ and $P_{\text{Peak_PD}}$ within $T_{\text{Inrush_PD max}}$ as defined in Table 145–29. Dual-signature PDs assigned to Class 1, 2, or 3 shall conform to $P_{\text{Class_PD-2P}}$ and $P_{\text{Peak_PD-2P}}$ within $T_{\text{Inrush_PD max}}$ as defined in Table 145–29 on that pairset.

NOTE—PDs may be subjected to PSE POWER_ON current limits during inrush when the PD input voltage reaches 99% of steady state or after $T_{\text{Inrush_PD max}}$. PD requirements are impacted by PSE current limits. See 145.2.10.7 for details.

C_{Port} in Table 145–29 is the PD input capacitance during POWER_UP and POWER_ON that a PSE sees as load when operating one or both pairsets, when connected to a single-signature PD. $C_{\text{Port-2P}}$ in Table 145–29 is the PD input capacitance during POWER_UP_PRI, POWER_UP_SEC, POWER_ON_PRI, and

POWER_ON_SEC that a PSE sees as load on each pairset independently, when connected to a dual-signature PD. See Figure for a simplified PSE-PD C_{Port} and $C_{Port-2P}$ interpretation model.



NOTE—The “dual-signature PD” in Figure represents a PD with two completely isolated circuits connected to Mode A and Mode B. The PSE will see a capacitance of $C_x + C_y$. A dual-signature PD can also be implemented with a single load, resulting in a lower than $C_x + C_y$ capacitance value as seen by the PSE.

Figure 145-30— C_{Port} interpretation model

145.3.8.4 Peak operating power

$V_{Overload-2P}$ is the PD PI voltage when the PD is drawing the permissible P_{Peak_PD} for single-signature PDs, or P_{Peak_PD-2P} for dual-signature PDs.

At any static voltage at the PI, and any PD operating condition, with the exception described in 145.3.8.4.1, the peak power for single-signature PDs shall not exceed P_{Class_PD} for more than T_{CUT} min, as defined in Table 145-16 and 5% duty cycle. P_{Peak_PD} is the maximum peak operating power and applies to single-signature PDs.

At any static voltage at the PI, and any PD operating condition, with the exception described in 145.3.8.4.1, the peak power for a dual-signature PD shall not exceed P_{Class_PD-2P} for more than T_{CUT} min, as defined in Table 145-16 and 5% duty cycle. P_{Peak_PD-2P} is the maximum peak operating power on a pairset and applies to dual-signature PDs.

NOTE—The duty cycle of the peak current is measured using a sliding window with a width of 1 second.

Peak power is defined in Table 145-29 and depends on the Class assigned by the PSE. Equation (145-24) and Equation (145-25) are used to approximate the ratiometric peak powers of Class 1 through Class 8. These equations may be used to calculate P_{Peak_PD} or P_{Peak_PD-2P} after Data Link Layer classification and for Autoclass by substituting $P_{MaxPowerValue}$ with the corresponding value of $P_{Autoclass_PD}$.

$$P_{\text{Peak_PD}} = \left\{ \begin{array}{l} 0.129 \times \text{PDMaxPowerValue} \text{ for assigned Class 1 and 2} \\ 0.111 \times \text{PDMaxPowerValue} \text{ for assigned Class 3 and 4} \\ 0.105 \times \text{PDMaxPowerValue} \text{ for assigned Class 5 to 8} \end{array} \right\}_w \quad (145-24)$$

$$P_{\text{Peak_PD-2P}} = \left\{ \begin{array}{l} 0.129 \times \text{PDMaxPowerValue_mode(X)} \text{ for assigned Class 1 and 2} \\ 0.111 \times \text{PDMaxPowerValue_mode(X)} \text{ for assigned Class 3 and 4} \\ 0.105 \times \text{PDMaxPowerValue_mode(X)} \text{ for assigned Class 5} \end{array} \right\}_w \quad (145-25)$$

where

PDMaxPowerValue is the actual maximum input average the PD may draw under the current power allocation; see 145.5.3.3.1
PDMaxPowerValue_mode(X) is the actual maximum input average the PD may draw under the current power allocation on Mode X; see 145.5.3.4.2

145.3.8.4.1 Peak operating power exceptions

For single-signature PDs assigned to Class 8 and for dual-signature PDs assigned to Class 5, when additional information is available to the PD regarding actual link section DC resistance between the PSE PI and the PD PI, in any operating condition with any static voltage at the PI, the peak power shall not exceed maximum $P_{\text{Port_PD}}$ for single-signature PDs and maximum $P_{\text{Port_PD-2P}}$ for dual-signature PDs at the PSE PI for more than T_{CUT} min, as defined in Table 145–16 and with 5% duty cycle. Peak operating power shall not exceed $1.05 \times P_{\text{Port_PD}} \text{ max}$ for single-signature PDs and shall not exceed $1.05 \times P_{\text{Port_PD-2P}} \text{ max}$ for dual-signature PDs on each pairset. $P_{\text{Port_PD}} \text{ max}$ refers to the maximum power draw as permitted by 145.3.8.2.1.

145.3.8.5 Input current slew rate

When the input voltage at the PI is static and in the range of $V_{\text{Port_PD-2P}}$ defined by Table 145–29, the input current drawn by a single-signature PD shall not change faster than $I_{\text{Slewrates}}$ defined in Table 145–29, in either polarity. Each pairset current drawn by a dual-signature PD shall not change faster than $I_{\text{Slewrates}}$ defined in Table 145–29, in either polarity. This limitation applies after inrush has completed (see 145.3.8.3) and before the PD has disconnected.

145.3.8.6 PD behavior during transients at the PSE PI

A PD shall continue to operate without interruption in the presence of transients

- Lasting longer than 30 μs and less than 250 μs at the PSE PI as defined in 145.2.10.3, and causing the voltage at the PD PI to fall to no less than $V_{\text{Tran_PD-2P}}$, as defined in Table 145–29.
- Lasting less than 30 μs and causing the voltage at the PD PI to fall to not less than 34 V.

During a transient the input power of the PD may exceed $P_{\text{Peak_PD}}$ or $P_{\text{Peak_PD-2P}}$. Table 145–30 defines three PSE output voltage transients.

When transient TR1 or TR2 is applied, the PD shall meet the operating power limits within $T_{\text{Transient}}$, as defined in Table 145–30, referenced from when the ‘final voltage’ is reached at the source. When transient TR1 or TR2 is applied, the PD shall not cause the source to be in current limit for longer than T_{LIM} min.

When transient TR3 is applied, the PD shall meet the operating power limits within 4 ms, referenced from the beginning of the TR3 transient.

Table 145–30—Transient conditions

Item	Assigned Class	2-pair/ 4-pair	$T_{\text{Transient}}$	Initial voltage	Final voltage	Source dv / dt	Source resistance	Source current ^a
TR1	1 to 4	2-pair	10 ms	50 V	56 V	2.25 V/ms	12.5 Ω	Limit to $I_{\text{LIM-2P}} + 5 \text{ mA}$
	1 to 6	4-pair					6.25 Ω	
TR2	1 to 4	2-pair	6 ms	52 V			12.5 Ω	
	1 to 8	4-pair					6.25 Ω	
TR3	1 to 8	both	4 ms	52 V	54.5 V	3500 V/ms	1.5 Ω	> 5 A capability

^a The source current for TR1 and TR2 is the current limit per powered pairset.

The TR1, TR2, and TR3 tests consists of a voltage source, with a current limit (for TR1 and TR2), driven from the ‘initial voltage’ to the ‘final voltage’ at the ‘source dv/dt’ rate. A source resistance, as defined in Table 145–30 is in series with this voltage source and the PD.

These requirements apply to each pairset individually for a dual-signature PD.

145.3.8.7 Ripple and noise

The PD shall meet $V_{\text{Noise_PD}}$, defined in Table 145–29, the common-mode or differential pair-to-pair noise at the PD PI generated by the PD circuitry. $V_{\text{Noise_PD}}$ applies for all operating voltages in the range of $V_{\text{Port_PD-2P}}$, over the range of input power of the device, and when connected to any source resistance up to R_{Ch} .

The PD shall operate correctly in the presence of ripple and noise generated by the PSE that appears at the PD PI. These levels are specified in Table 145–16.

145.3.8.8 Reflected voltage

For a single-signature PD, when any voltage in the range of 0 V to $V_{\text{Port_PD-2P max}}$ is applied per any of the valid 2-pair configurations, defined in Table 145–20, that have only a single pair connected to the positive potential (see Figure 145–31), the voltage on the Mode not connected to the voltage source, with a 100 k Ω resistor connected across that Mode, shall not exceed V_{refl} as defined in Table 145–29.

For a dual-signature PD, when any voltage in the range of 0 V to $V_{\text{Port_PD-2P max}}$ is applied per any of the valid 2-pair configurations, defined in Table 145–20, including those with two pairs connected to the positive potential (see Figure 145–31), the voltage on the Mode with at least one pair not connected to the voltage source, with a 100 k Ω resistor connected across that Mode, shall not exceed V_{refl} as defined in Table 145–29.

145.3.8.9 PD pair-to-pair current unbalance

When a PSE supplies power to a PD using all 4 pairs, the current may not equally divide between the pairs that are at the same polarity. This is referred to as pair-to-pair current unbalance. The degree to which the current is unbalanced depends on the specific combination of PSE, cabling, and PD.

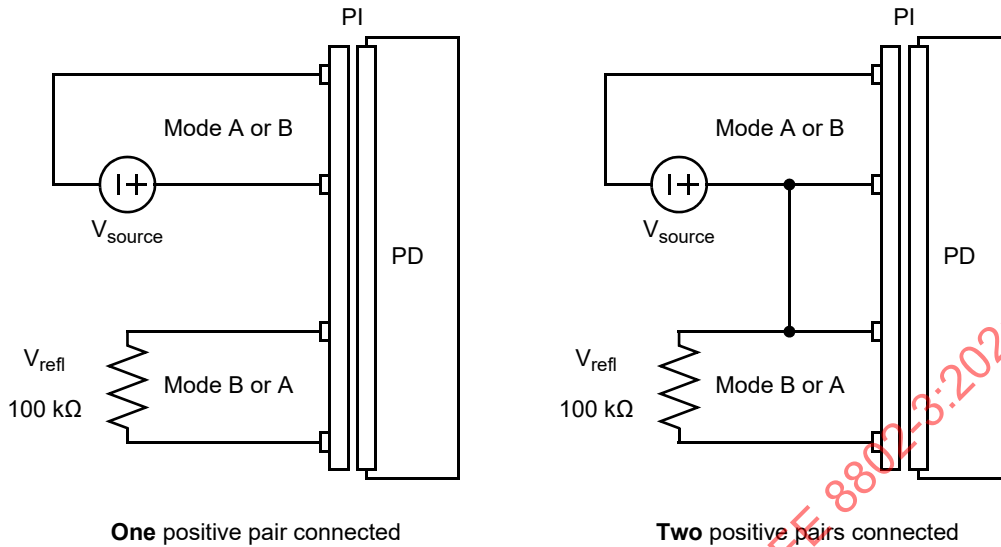


Figure 145-31—Reflected voltage requirements

The maximum pair current in a system depends on the assigned Class (see 145.3.6), and is defined in Table 145-31.

Table 145-31—Maximum pair-to-pair current unbalance

Parameter	Assigned Class	Unit	Value
$I_{\text{Unbalance_PD-2P}}$	1 to 4 ^a	A	$P_{\text{Class_PD}} / V_{\text{PD}}$
	5 to 8		$I_{\text{Con-2P- unb}} - 0.01$
$I_{\text{Unbalance_peak-2P}}$	1 to 4 ^a	A	$P_{\text{Peak_PD}} / V_{\text{PD}}$
	5 to 8		$I_{\text{LIM-2P}} - 0.002$

^a There is no maximum unbalance current requirement for these assigned Classes.

This subclause describes unbalance requirements for PDs that operate over 4 pairs. The contribution of PD PI pair-to-pair effective resistance unbalance to the effective system end-to-end resistance unbalance is determined by PD maximum ($R_{\text{PD_max}}$) and minimum ($R_{\text{PD_min}}$) common mode effective resistance in the powered pairs of same polarity. See Figure 145A-3. Effective resistances of $R_{\text{PD_min}}$ and $R_{\text{PD_max}}$ include the effects of PD pair to pair voltage difference and the PD PI resistive elements. See definition and measurements in Annex 145A.5.

$R_{\text{PD_max}}$, defined in Equation (145-26), for a given $R_{\text{PD_min}}$, is the highest supported common mode effective resistance in the powered pairs of the same polarity. PDs that meet Equation (145-26) intrinsically meet unbalance requirements. Equation (145-26) is only applicable for $R_{\text{PD_min}}$ up to a value of 1 Ω and power draw up to $P_{\text{Class_PD}}$.

$$0 < R_{PD_max} \leq \left\{ \begin{array}{ll} 2.182 \times R_{PD_min} + 0.125 & \text{for assigned Class 5} \\ 1.988 \times R_{PD_min} + 0.105 & \text{for assigned Class 6} \\ 1.784 \times R_{PD_min} + 0.08 & \text{for assigned Class 7} \\ 1.727 \times R_{PD_min} + 0.074 & \text{for assigned Class 8} \end{array} \right\}_{\Omega} \quad (145-26)$$

where

R_{PD_max} is, given R_{PD_min} , the highest supported common mode effective resistance in the powered pairs of the same polarity

R_{PD_min} is the lower PD common mode effective resistance in the powered pairs of the same polarity

Common mode effective resistance is the resistance of the two conductors (including their components on each conductor) in a powered pair of the same polarity connected in parallel.

Figure 145A-1 illustrates the relationship between R_{PD_max} and R_{PD_min} effective resistances at the PD PI as defined by Equation (145-26) and the rest of the end-to-end pair to pair effective resistance components.

Single-signature PDs shall not exceed $I_{Unbalance_PD-2P}$ for longer than $T_{CUT\ min}$ and 5 % duty cycle, and shall not exceed $I_{Unbalance_peak-2P}$, as defined in Table 145-31 on any pair when the PD is connected per any valid 4-pair configuration, as defined in Table 145-20, to any voltage in the range of $V_{Port_PSE-2P\ min} + 0.31\ V$ to $V_{Port_PSE-2P\ max}$ through two common mode resistances, R_{source_min} and R_{source_max} , as defined in Equation (145-27) and shown in Figure 145-32.

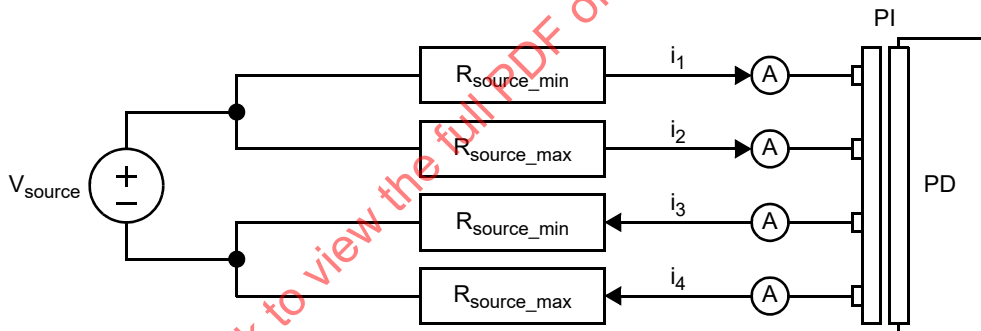


Figure 145-32—PD current unbalance verification circuit

Dual-signature PDs shall not exceed I_{Con_PD-2P} , as defined in Equation (145-28), for longer than $T_{CUT\ min}$ and 5 % duty cycle, as defined in Table 145-16, and shall not exceed I_{Peak_PD-2P} , as defined in Equation (145-29), on any pair when the PD is connected per any valid 4-pair configuration, as defined in Table 145-20, to any voltage in the range of $V_{Port_PSE-2P\ min} + 0.31\ V$ to $V_{Port_PSE-2P\ max}$ through two common mode resistances, R_{source_min} and R_{source_max} , as defined in Equation (145-27) and shown in Figure 145-32.

The unbalance current requirements for PDs apply at the PD PI connector (jack) when mated with a specified balanced cabling connector (plug).

NOTE 1—The duty cycle of the peak current is measured using a sliding window with a width of 1 second.

$$R_{\text{source_max}} = \left\{ \begin{array}{l} (-0.03 \times R_{\text{source_min}} + 1.324) \times R_{\text{source_min}} \text{ for } (0.145\Omega \leq R_{\text{source_min}} \leq 5.47\Omega) \\ \Omega \end{array} \right\} \quad (145-27)$$

$$I_{\text{Con_PD-2P}} = \left\{ \frac{P_{\text{Class_PD-2P}}}{V_{\text{PD}}} \right\}_A \quad (145-28)$$

$$I_{\text{Peak_PD-2P}} = \left\{ \frac{P_{\text{Peak_PD-2P}}}{V_{\text{PD}}} \right\}_A \quad (145-29)$$

where

- $R_{\text{source_min}}$ is the lowest supported common mode effective source resistance in the powered pairs of the same polarity
- $P_{\text{Class_PD-2P}}$ is the maximum power at the PD PI per the PDs assigned Class, as defined in Table 145-29
- $P_{\text{Peak_PD-2P}}$ is the peak power a dual-signature PD may draw per its assigned Class on a pairset; see Table 145-29
- V_{PD} is the voltage at the PD PI as defined in 145.1.3

$R_{\text{source_min}}$ and $R_{\text{source_max}}$ represent the V_{source} source common mode effective resistance that consists of the PSE PI components ($R_{\text{PSE_min}}$ and $R_{\text{PSE_max}}$ as defined in 145.2.10.6.1, $V_{\text{Port_PSE_diff}}$ as defined in Table 145-16, the link section resistance, and influence of $R_{\text{PD_min}}$ and $R_{\text{PD_max}}$ as function of system end-to-end unbalance). Common mode effective resistance is the resistance of two conductors of the same pair and their other components, which form R_{source} , connected in parallel including the effect of the system (PSE and PD) pair to pair voltage difference.

$R_{\text{PD_min}}$, $R_{\text{PD_max}}$, along with any other parts of the system, i.e., link section and the PSE, bounds the maximum current such that the maximum pair current including unbalance does not exceed $I_{\text{Unbalance_PD-2P}}$ as defined in Table 145-16 during normal operating conditions. See Annex 145A.

NOTE 2—The pairset current limit requirement also holds when $R_{\text{source_max}}$ and $R_{\text{source_min}}$ are exchanged.

145.3.9 PD Maintain Power Signature

A PD that requires power from the PI shall provide a valid Maintain Power Signature (MPS) at the PI. A PD that does not maintain the MPS components may have its power removed within the limits of T_{MPDO} as defined in Table 145-16. $I_{\text{Port_MPS}}$, $I_{\text{Port_MPS-2P}}$, $T_{\text{MPS_PD}}$, and $T_{\text{MPDO_PD}}$, are defined in Table 145-32. $T_{\text{LCE_PD}}$ is defined in Table 145-25.

For single-signature PDs the MPS shall consist of current draw equal to or above $I_{\text{Port_MPS}}$ for a minimum duration of $T_{\text{MPS_PD}}$ followed by an optional MPS dropout for no longer than $T_{\text{MPDO_PD}}$. A single-signature PD shall use the $I_{\text{Port_MPS}}$ value associated with assigned Class 1 to 4 when `pse_assigned_class` is 1, 2, 3, or 4, and `MirroredPSEAllocatedPowerValue` and `PDRequestedPowerValue` are less or equal to 255. A single-signature PD shall use the $I_{\text{Port_MPS}}$ value associated with assigned Class 5 to 8 when `pse_assigned_class` is 5, 6, 7, or 8, or when `PDRequestedPowerValue` is in the range of 256 to 999. When `PDRequestedPowerValue` or `PSEAllocatedPowerValue` is equal to 0xACAC, the PD shall use the $I_{\text{Port_MPS}}$ value associated with the assigned Class.

For dual-signature PDs the MPS shall consist of current draw equal to or above $I_{\text{Port_MPS-2P}}$ on each powered pairset independently for a minimum duration of $T_{\text{MPS_PD}}$ followed by an optional MPS dropout for no longer than $T_{\text{MPDO_PD}}$.

Table 145–32—PD DC Maintain Power Signature

Item	Parameter	Symbol	Units	Min	Max	Conditions
1	Total input current per the assigned Class, for single-signature PDs					
	Class 1 to 4	I_{Port_MPS}	A	0.01	—	See 145.3.9
	Class 5 to 8			0.016		
2	Input current on each powered pairset for dual-signature PDs					
	Class 1 to 5	I_{Port_MPS-2P}	A	0.01	—	—
3	PD Maintain Power Signature Time	T_{MPS_PD}	ms	75	—	long_class_event = FALSE
				7	—	long_class_event = TRUE
4	PD Drop Out Period	T_{MPDO_PD}	ms	—	250	long_class_event = FALSE
				—	310	long_class_event = TRUE
NOTE—PDs may not be able to meet the I_{Port_MPS} or I_{Port_MPS-2P} specification in Table 145–32 during the maximum allowed port voltage droop ($V_{Port_PSE-2P_max}$ to $V_{Port_PSE-2P_min}$ with series resistance R_{Ch}). Such a PD should increase its I_{Port} or $I_{Port-2P}$ or make other such provisions to meet the Maintain Power Signature.						

A PD connected to a Type 1 or Type 2 PSE, shall also present input impedance with resistive and capacitive components defined in Table 145–33.

Table 145–33—PD Maintain Power Signature

Item	Parameter	Symbol	Unit	Min	Max	Additional information
1	Input resistance	R_{pd_d}	k Ω	—	26.3	—
2	Input capacitance	C_{pd_d}	μ F	0.05	—	—

PDs that detect a long first class event in the range of T_{LCE_PD} may use the shorter T_{MPS_PD} in order to draw a lower standby MPS power. In the absence of a long first class event, the minimum T_{MPS_PD} is higher and the standby MPS power is also higher.

A PD shall meet the T_{MPS_PD} and T_{MPDO_PD} requirements with any series resistance less than or equal to R_{Chan_max} between the PD PI and the source.

Powered PDs that no longer require power, and identify the PSE as Type 1 or Type 2, shall remove both the current draw and impedance components of the MPS. To cause Type 1 and Type 2 PSE power removal, the impedance of the PI should rise above 1980 k Ω .

Powered PDs that no longer require power, and identify the PSE as Type 3 or Type 4, shall remove the current draw component and may remove the impedance components of the MPS. See 145.2.12, 145.2.10.4, and 145.3.8.8.

145.4 Additional electrical specifications

This clause defines additional electrical specifications for a fully connected PoE system (that is, PSE, cabling, PD, and related PHYs) and therefore to each element of such a system. The specifications apply for all PSE and PD operating conditions at the cabling side of the mated connection of the PI. The requirements apply during data transmission only when specified as an operating condition.

The requirements of 145.4 are consistent with the requirements of the 10BASE-T MAU and the 100BASE-TX, 1000BASE-T, 2.5GBASE-T, 5GBASE-T, and 10GBASE-T PHYs.

145.4.1 Isolation

PDs and PSEs shall provide isolation between all accessible external conductors, including frame ground (if any), and all MDI leads including those not used by the PD or PSE. Any equipment that can be connected to a PSE or PD through a non-MDI connector that is not isolated from the MDI leads needs to provide isolation between all accessible external conductors, including frame ground (if any), and the non-MDI connector. Accessible external conductors are specified in Section 6.2.1 b) of IEC 60950-1:2001 and Section 5.4.10.1 b) of IEC 62368-1:2018.

This electrical isolation shall withstand at least one of the following electrical strength tests:

- a) 1500 V rms at 50 Hz to 60 Hz for 60 s, applied as specified in Section 5.2.2 of IEC 60950-1:2001 or Section 5.4.9 of IEC 62368-1:2018.
- b) 2250 V dc for 60 s, applied as specified in Section 5.2.2 of IEC 60950-1:2001 or Section 5.4.9 of IEC 62368-1:2018.
- c) An impulse test consisting of a 1500 V, 10/700 μ s waveform, applied 10 times, with a 60 s interval between pulses. The shape of the impulses shall be 10/700 μ s (10 μ s virtual front time, 700 μ s virtual time of half value), as defined in Annex N of IEC 60950-1:2001 or Section 5.4.10 of IEC 62368-1:2018.

There shall be no insulation breakdown, as defined in Section 5.2.2 of IEC 60950-1:2001 or Section 5.4.9 of IEC 62368-1:2018, during the test. The resistance after the test shall be at least 2 M Ω , measured at 500 V dc.

Conductive link segments that have differing isolation and grounding requirements shall have those requirements provided by the port-to-port isolation of network interface devices (NID).

In a multiport system, the implementer should maintain DC isolation through the termination circuitry to eliminate cross-port leakage currents. See 145.2.10.4.

Dual-signature PDs shall have less than or equal to 10 μ A of current between any negative conductor of Mode A and any negative conductor of Mode B when V_{PD} , as defined in 145.1.3, is less than V_{OFF_PD} min, as defined in Table 145–29, on either Mode. See Table 79–6f.

145.4.1.1 Electrical isolation environments

There are two electrical power distribution environments to be considered that require different electrical isolation properties. They are as follows:

- **Environment A:** When a LAN or LAN segment, with all its associated interconnected equipment, is entirely contained within a single low-voltage power distribution system and within a single building.
- **Environment B:** When a LAN crosses the boundary between separate power distribution systems or the boundaries of a single building.

145.4.1.1.1 Environment A requirements

Attachment of network segments via NIDs that have multiple instances of a twisted-pair MDI requires electrical isolation between each segment and the protective ground of the NID.

For NIDs, the requirement for isolation is encompassed within the isolation requirements of the MAU or PHY (see 14.3.1.1, 25.4.6, and 40.6.1.1). Equipment with multiple instances of PSE, PD, or both shall meet or exceed the isolation requirement of the MAU/PHY with which they are associated.

An Environment A multiport NID does not require electrical power isolation between link segments.

An Environment A PSE shall switch the more negative conductor. It is allowed to switch both conductors.

145.4.1.1.2 Environment B requirements

The attachment of network segments that cross Environment A boundaries requires electrical isolation between each segment and all other attached segments as well as to the protective ground of the NID.

For NIDs, the requirement for isolation is encompassed within the isolation requirements of the MAU or PHY (see 14.3.1.1, 25.4.6, and 40.6.1.1). Equipment with multiple instances of PSE, PD, or both shall meet or exceed the isolation requirement of the MAU/PHY with which each is associated.

An environment B PSE that supports 4-pair power shall switch the more negative conductor. It is allowed to switch both conductors.

The requirements for interconnected electrically conducting link segments that are partially or fully external to a single building environment may require additional protection against lightning strikes or other hazards. Protection requirements for such hazards are beyond the scope of this standard. Guidance on these requirements may be found in Section 6 of IEC 60950-1:2001 and throughout IEC 62368-1, as well as any local and national codes related to safety.

145.4.2 Fault tolerance

Each conductor pair of the PI, when it is also an MDI (e.g., an Endpoint PSE or PD), shall meet the fault tolerance requirements of the appropriate specifying clause. (See 14.3.1.2.7, 25.4, 40.8.3.4, 55.8.2.3, and 126.8.2.4.) When a PI is not an MDI (e.g., a Midspan PSE), the PSE PI shall meet the fault tolerance requirements of this subclause.

The PSE shall withstand without damage the application of short circuits of any conductors within the cable for an indefinite period of time. The magnitude of the current caused by a short circuit of any one conductor to another conductor in the cable

- Shall not exceed $I_{PSEUT-Type3-2P}$, as defined in Equation (145–17), for Type 3 PSEs.
- Shall not exceed $I_{PSEUT-Type4-2P}$, as defined in Equation (145–18), for Type 4 PSEs.

Each conductor pair shall withstand, without damage, a 1000 V common-mode impulse applied at E_{cm} of either polarity. The shape of the impulse shall be (0.3/50) μ s (300 ns virtual front time, 50 μ s virtual time of half value), as defined in IEC 60060, where E_{cm} is an externally applied AC voltage as shown in Figure 145–33.

NOTE—PDs may receive power from a PSE over fewer conductors than specified when a link section has a fault of one or more conductor open failures.

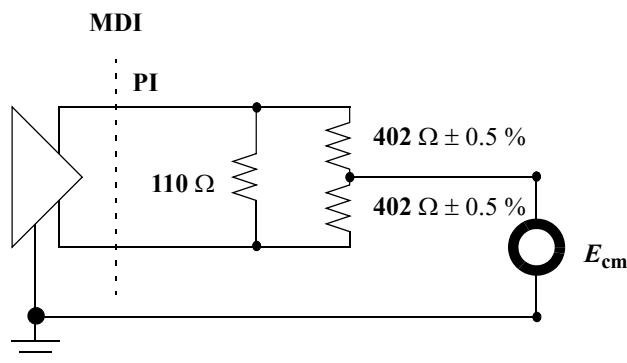


Figure 145-33—PI fault tolerance test circuit

145.4.3 Impedance balance

Impedance balance is a measurement of the common-mode-to-differential-mode offset of the PI. The common-mode-to-differential-mode impedance balance for the transmit and receive pairs shall exceed the limits in Table 145-34 for all supported PHY speeds.

Table 145-34—Impedance balance limits for supported speeds

Supported speed	Impedance balance limit (dB)	Frequency range
10 Mb/s MAU	$29 - 17 \times \log_{10}(f/10)$	$1 \leq f \leq 20$ MHz
100 Mb/s or 1000 Mb/s PHY	$34 - 19.2 \times \log_{10}(f/50)$	$1 \leq f \leq 100$ MHz
2.5 Gb/s PHY	48	$1 \leq f < 10$ MHz
	$48 - 20 \times \log_{10}(f/10)$	$10 \leq f < 20$ MHz
	$42 - 15 \times \log_{10}(f/20)$	$20 \leq f \leq 125$ MHz
5 Gb/s PHY	48	$1 \leq f < 30$ MHz
	$44 - 19.2 \times \log_{10}(f/50)$	$30 \leq f \leq 250$ MHz
10 Gb/s PHY	48	$1 \leq f < 30$ MHz
	$44 - 19.2 \times \log_{10}(f/50)$	$30 \leq f \leq 500$ MHz

The impedance balance is defined as shown in Equation (145–30):

$$\left\{ 20 \times \log_{10} \left(\frac{E_{cm}}{E_{dif}} \right) \right\}_{dB} \tag{145–30}$$

where

E_{cm} is an externally applied sinusoidal voltage as shown in Figure 145–34
 E_{dif} is the voltage of the resulting waveform due only to the applied sine wave measured as shown in Figure 145–34

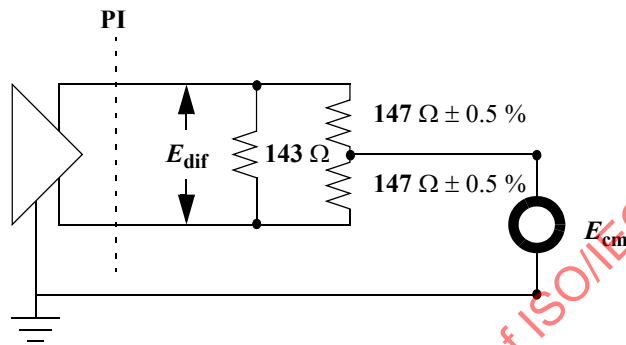
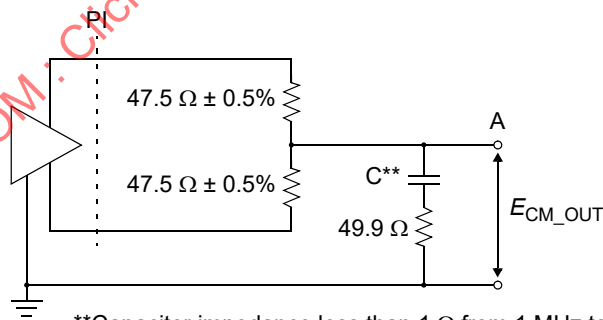


Figure 145–34—PI impedance balance test circuit

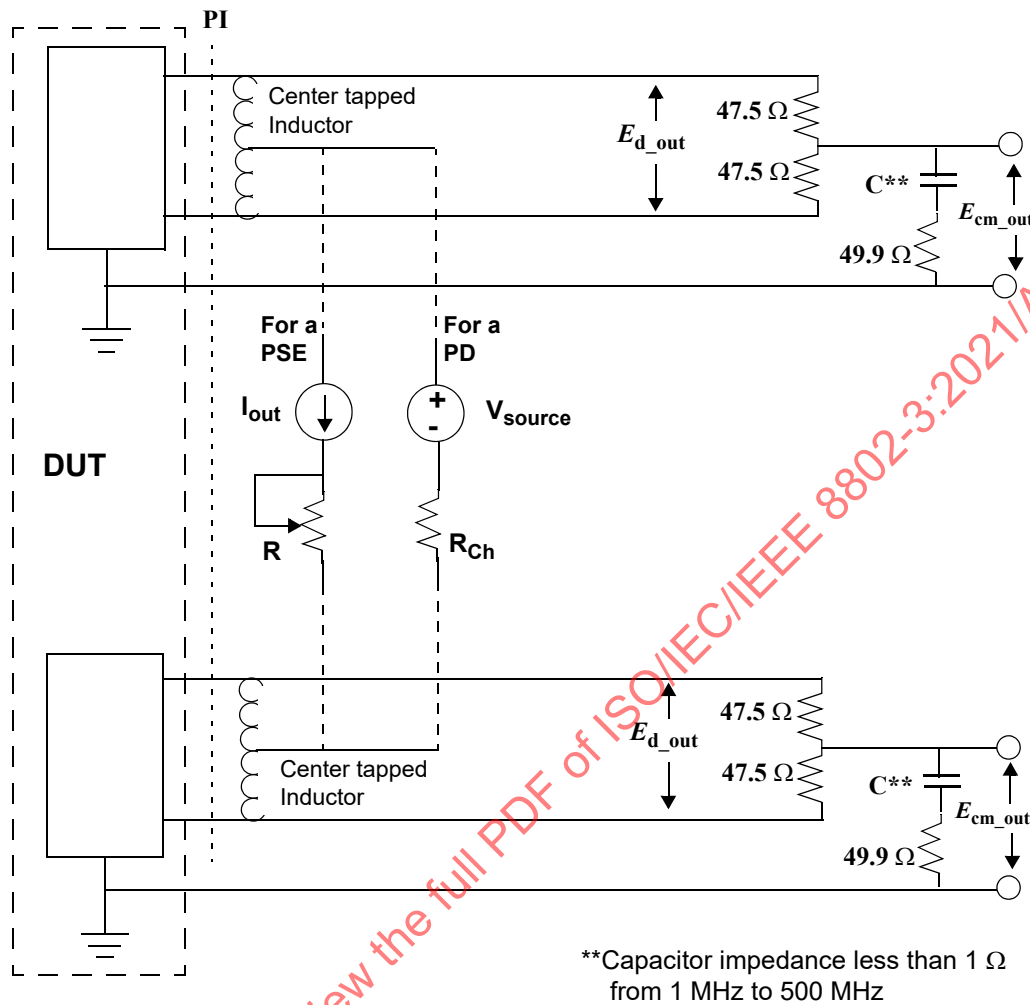
145.4.4 Common-mode output voltage

The magnitude of the common-mode AC output voltage measured according to Figure 145–35 and Figure 145–36 at the transmit PI while transmitting data and with power applied, E_{cm_out} , shall not exceed the values in Table 145–35 while operating at the specified speed, when measured over the specified bandwidth.



**Capacitor impedance less than 1 Ω from 1 MHz to 500 MHz

Figure 145–35—Common-mode output voltage test



DUT = Device under test

Figure 145–36—PSE and PD terminations for common-mode output voltage test

Table 145–35—Common-mode output voltage for given operating speed

Operating speed	Common-mode output voltage (E_{cm_out})	Measurement bandwidth
10 Mb/s MAU	50 mV peak	$1 \leq f \leq 100$ MHz
100 Mb/s or 1000 Mb/s PHY	50 mV _{pp}	$1 \leq f \leq 100$ MHz
2.5 Gb/s PHY	50 mV _{pp}	$1 \leq f \leq 100$ MHz
5 Gb/s PHY	50 mV _{pp}	$1 \leq f \leq 250$ MHz
10 Gb/s PHY	50 mV _{pp}	$1 \leq f \leq 500$ MHz

The common-mode AC output voltage shall be measured while the PHY is transmitting data, the PSE or PD is operating with the following PSE load or PD source:

- 1) For a PSE, the PI that supplies power is terminated as illustrated in Figure 145–36. The PSE load, R , in Figure 145–36 is adjusted so that the PSE output current, I_{out} , is 16 mA and then I_{Cable} for 2-pair operation or $2 \times I_{Cable}$ for 4-pair operation, while measuring E_{cm_out} on the PI.
- 2) For a PD, the PI that requires power shall be terminated as illustrated in Figure 145–36. V_{source} in Figure 145–36 is adjusted to 36 Vdc and 57 Vdc, while measuring E_{cm_out} on the PI.

NOTE—The implementer should consider any applicable local, national, or international regulations that may require more stringent specifications. One such specification can be found in the European Standard EN 55022:1998.

145.4.5 Pair-to-pair output noise voltage

The pair-to-pair output noise voltage (see Figure 145–37) is limited by the resulting electromagnetic interference due to this AC voltage. This AC voltage can be ripple from the power supply, Table 145–16, ‘power feeding ripple and noise’, or from any other source. A system integrating a PSE shall comply with applicable local and national codes for the limitation of electromagnetic interference.

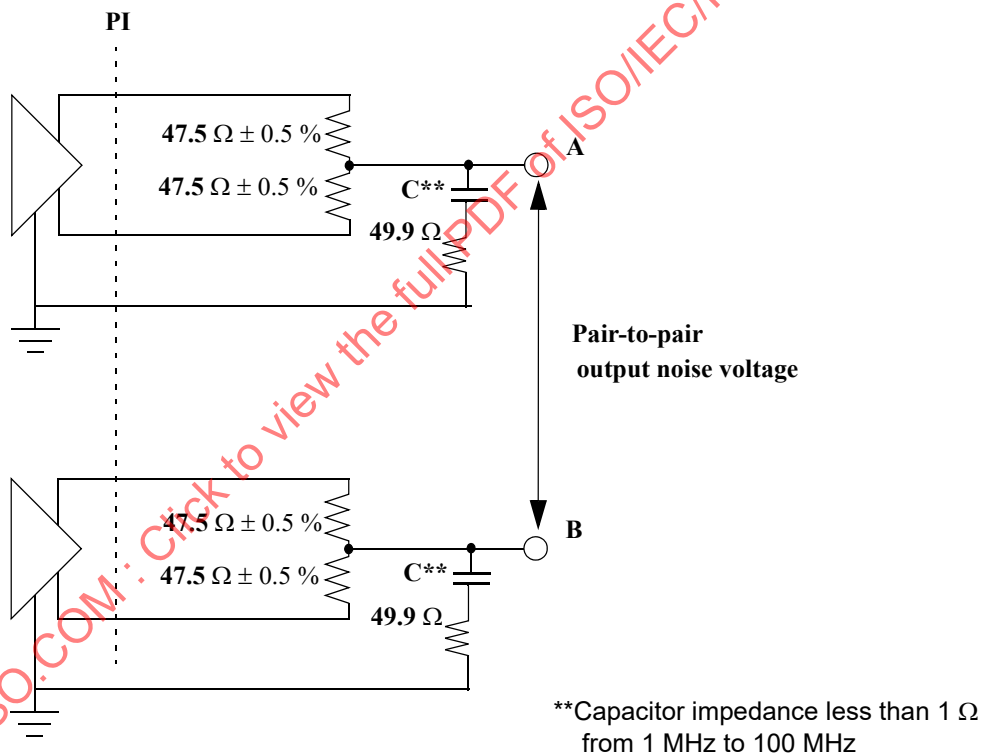


Figure 145–37—Pair-to-pair output noise voltage test

145.4.6 Differential noise voltage

For 10/100/1000 Mb/s, the coupled noise, E_{d_out} in Figure 145–36, from a PSE or PD to the differential transmit and receive pairs shall not exceed 10 mV peak-to-peak when measured from 1 MHz to 100 MHz under the conditions specified in 145.4.4, item 1) and item 2).

For 2.5GBASE-T, 5GBASE-T, or 10GBASE-T, the coupled noise, E_{d_out} in Figure 145–36, from a PSE or PD to the differential transmit and receive pairs shall not exceed 10 mV peak-to-peak when measured in the band from 1 MHz to 10 MHz and shall not exceed 1 mV peak-to-peak when measured in the band from 10 MHz to 100 MHz for 2.5GBASE-T, 10 MHz to 250 MHz for 5GBASE-T, and 10 MHz to 500 MHz for 10GBASE-T under the conditions specified in 145.4.4, item 1) and item 2).

145.4.7 Return loss

The differential impedance of the transmit and receive pairs at the PHY's MDI shall be such that any reflection shall meet the return loss requirements as specified

- In 14.3.1.3.4 for a 10 Mb/s PHY.
- In ANSI INCITS 263-1995 for a 100 Mb/s PHY.
- In 40.8.3.1 for a 1000 Mb/s PHY.
- In 126.8.2.2 for a 2.5 Gb/s or 5 Gb/s PHY.
- In 55.8.2.1 for a 10 Gb/s PHY.

In addition, all pairs terminated at an MDI should maintain a nominal common-mode impedance of 75 Ω . The common-mode termination is affected by the presence of the power supply, and this should be considered to determine proper termination.

145.4.8 100BASE-TX transformer droop

100BASE-TX systems may contain a legacy PHY receiver that expects to be connected to a PHY transmitter with 350 μ H open circuit inductance (OCL). Alternative A Midspan PSEs that support 100BASE-TX shall enforce intra-pair current unbalance (see 145A.1) less than or equal to I_{unb} (see 145.2.10.12) or meet 145.4.9.3.

100BASE-TX Endpoint PSEs and 100BASE-TX PDs shall meet the requirements of Clause 25 in the presence of ($I_{unb}/2$).

145.4.9 Midspan PSE device additional requirements

The cabling specifications for 100 Ω balanced cabling are described in ISO/IEC 11801:2002. Cable conforming to ANSI/TIA-568-C.2 also meets these requirements. Some cable category specifications that only appear in earlier editions are also supported. The terms “channel” and “permanent link” are defined in ISO/IEC 11801-1 subsection 5.3.5. Midspan PSE cabling system requirements are specified in 145.1.4.

ISO/IEC 11801-1 defines in 5.1 two types of Equipment interface to the cabling system: “Interconnect model” and the “cross-connect model.” An equivalent “Interconnect model” and “cross-connect model” may be found in ANSI/TIA-568.0-D, 5.1. See Figure 145–38.

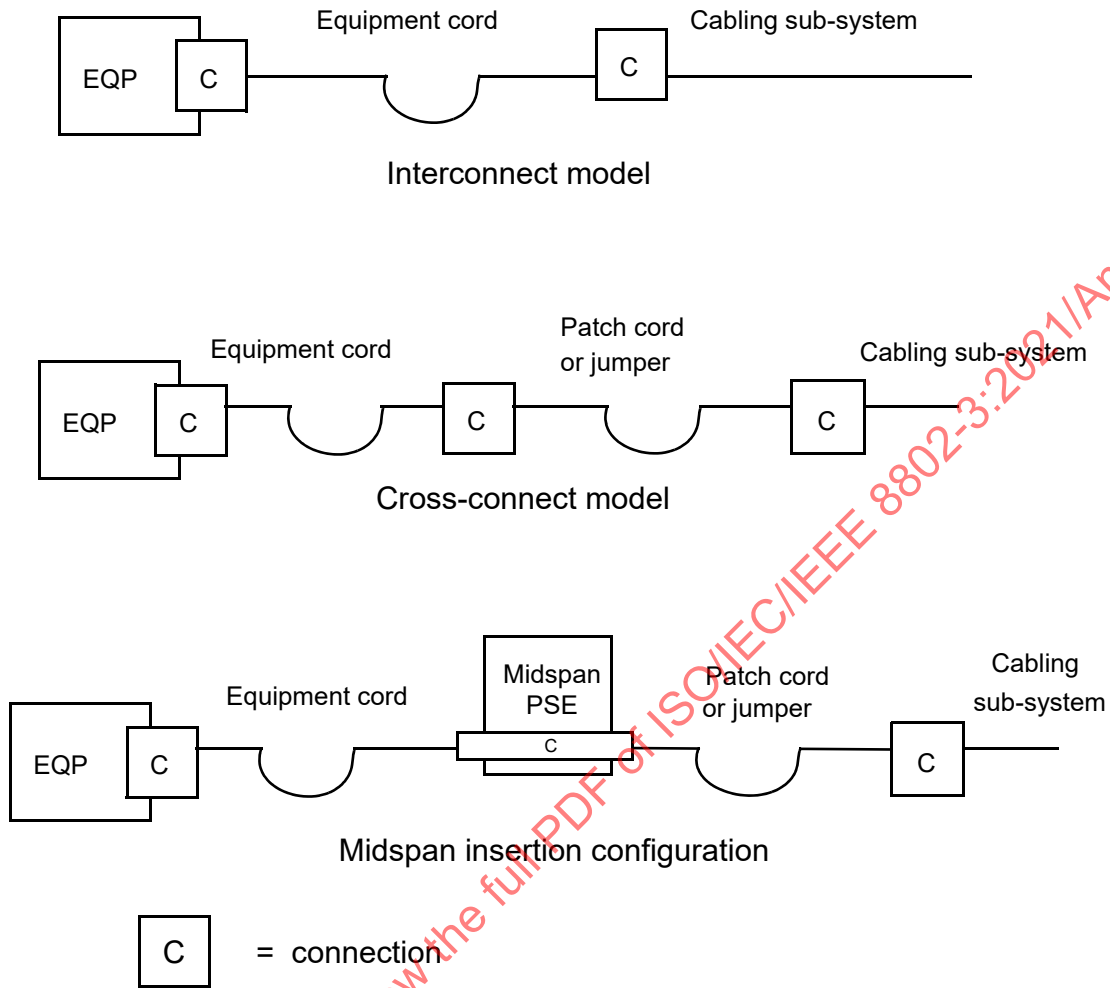


Figure 145–38—Interconnect model, cross-connect model, and midspan insertion configuration

The insertion of a Midspan PSE at the Floor Distributor (FD) shall comply with the following guidelines:

- If the existing FD configuration is of the “Interconnect model” type, the Midspan PSE can be added, provided it does not increase the insertion loss of the resulting “channel” to more than specified for the same Class or category 100 m channel defined in ISO/IEC 11801-1 or ANSI/TIA-568.0-D.
- If the existing FD configuration is of the “Cross-connect model” type, the Midspan PSE can be installed instead of one of the connection pairs in the FD. In addition, the installation of the Midspan PSE shall not increase the insertion loss of the resulting “channel” to more than specified for the same Class or category 100 m channel defined in ISO/IEC 11801-1 or ANSI/TIA-568.0-D.
- For a 10GBASE-T midspan PSE, in meeting either of the above requirements, the Midspan PSE may be substituted for up to two connection pairs in the FD.

Configurations with the Midspan PSE in the cabling “channel” shall not alter the transmission requirements of the “permanent link.” A Midspan PSE shall not provide DC continuity between the two sides of the segment for the pairs that inject power.

The requirements for the two pair Category 5 link segment are found in 25.4.9. Specification of 4-pair cabling is beyond the scope of Clause 25.

NOTE—Appropriate terminations may be applied to the interrupted pairs on both sides of the Midspan device.

145.4.9.1 Connector Midspan PSE device transmission requirements

A connector Midspan PSE replaces one of the connectors in the link segment and shall meet the following transmission parameters. These parameters should be measured using the test procedures of ISO/IEC 11801-1 or ANSI/TIA-568-C.2 for connecting hardware.

There are five variants of Midspan PSEs defined with respect to transmission requirements:

- 1) 10BASE-T/100BASE-TX connector Midspan PSE
- 2) 1000BASE-T connector Midspan PSE
- 3) 2.5GBASE-T connector Midspan PSE
- 4) 5GBASE-T connector Midspan PSE
- 5) 10GBASE-T connector Midspan PSE

145.4.9.1.1 Near End Crosstalk (NEXT)

NEXT loss is a measure of the unwanted signal coupling from a transmitter at the near-end into neighboring pairs measured at the near-end. NEXT loss is expressed in dB relative to the received signal level. For operation with 2.5GBASE-T and lower rates, NEXT loss for Midspan PSE devices shall meet the values determined by Equation (145–31) when measured for the transmit and receive pairs from 1 MHz to 100 MHz. For 5GBASE-T, NEXT loss for Midspan PSE devices shall meet the values determined by Equation (145–31) when measured for the transmit and receive pairs from 1 MHz to 250 MHz. For operation with 5GBASE-T and lower rates, for frequencies that correspond to calculated values greater than 65 dB, the requirement reverts to the minimum requirement of 65 dB.

$$\{NEXT_{conn}\}_{dB} \geq 43 - 20 \times \log_{10}\left(\frac{f}{100}\right) \quad (145-31)$$

where

$NEXT_{conn}$ is the Near End Crosstalk loss in dB
 f is the frequency expressed in MHz

For 10GBASE-T operation, NEXT loss for Midspan PSE devices shall meet the values determined by Equation (145–32) when measured for the transmit and receive pairs from 1 MHz to 500 MHz. However, for frequencies that correspond to calculated values greater than 75 dB, the requirement reverts to the minimum requirement of 75 dB.

$$\{NEXT_{conn}\}_{dB} \leq \left\{ \begin{array}{ll} 54 - 20 \times \log_{10}\left(\frac{f}{100}\right) & \text{for } (1 \leq f \leq 250) \\ 46.04 - 40 \times \log_{10}\left(\frac{f}{250}\right) & \text{for } (250 < f \leq 500) \end{array} \right\}_{dB} \quad (145-32)$$

where

$NEXT_{conn}$ is the Near End Crosstalk loss in dB
 f is the frequency expressed in MHz

145.4.9.1.2 Insertion loss

Insertion loss is a measure of the signal loss between the transmitter and receiver, expressed in dB relative to the received signal level. For other than 5GBASE-T or 10GBASE-T operation, insertion loss for Midspan PSE devices shall meet the values determined by Equation (145–33) when measured for the transmit and receive pairs from 1 MHz to 100 MHz. For 5GBASE-T capable midspans, insertion loss for Midspan PSE devices shall meet the values determined by Equation (145–33) when measured for the transmit and receive pairs from 1 MHz to 250 MHz. For 10GBASE-T operation, insertion loss for Midspan PSE devices shall meet the values determined by Equation (145–33) when measured from the transmit and receive pairs from 1 MHz to 500 MHz. For frequencies that correspond to calculated values less than 0.1 dB, the requirement reverts to the maximum requirement of 0.1 dB.

$$\{IL_{conn}\}_{dB} \leq 0.04 \times \sqrt{f} \tag{145-33}$$

where

IL_{conn} is the insertion loss in dB
f is the frequency expressed in MHz

145.4.9.1.3 Return loss

Return loss is a measure of the reflected energy caused by impedance mismatches in the cabling system and is expressed in dB relative to the reflected signal level. Return loss for Midspan PSE devices shall meet or exceed the values specified in Table 145–36.

Table 145–36—Connector return loss

Midspan PSE Variant	Frequency	Return loss
10/100/1000BASE-T	1 MHz ≤ <i>f</i> < 20 MHz	23 dB
	20 MHz ≤ <i>f</i> ≤ 100 MHz	14 dB
2.5GBASE-T	1 MHz ≤ <i>f</i> < 31.5 MHz	30 dB
	31.5 MHz ≤ <i>f</i> < 100 MHz	20 – 20 log ₁₀ (<i>f</i> /100)
5GBASE-T	1 MHz ≤ <i>f</i> < 31.5 MHz	30 dB
	31.5 MHz ≤ <i>f</i> < 250 MHz	20 – 20 log ₁₀ (<i>f</i> /100)
10GBASE-T	1 MHz ≤ <i>f</i> < 79 MHz	30 dB
	79 MHz ≤ <i>f</i> ≤ 500 MHz	28 – 20 log ₁₀ (<i>f</i> /100)

145.4.9.2 Cord Midspan PSE

A Midspan PSE replaces an element in a link segment and shall meet or exceed the insertion loss, NEXT, and return loss values specified Table 145–37 for all data transmitting pairs.

There are five variants of Midspan PSEs defined with respect to transmission requirements:

- 1) 10BASE-T/100BASE-TX cord Midspan PSE
- 2) 1000BASE-T cord Midspan PSE
- 3) 2.5GBASE-T cord Midspan PSE

- 4) 5GBASE-T cord Midspan PSE
- 5) 10GBASE-T cord Midspan PSE

Table 145–37—Cord specifications for use with Midspan PSEs

Highest PHY rate supported	Cord specification	Frequency range
Up to 1000BASE-T	Category 5 cord in ISO/IEC 11801:2002 or ANSI/TIA-568-A:1995	$1 \text{ MHz} \leq f \leq 100 \text{ MHz}$
Up to 2.5GBASE-T	Category 5e cord in ISO/IEC 11801:2002 or ANSI/TIA-568-C.2	$1 \text{ MHz} \leq f \leq 100 \text{ MHz}$
Up to 5GBASE-T	Category 6 cord in ISO/IEC 11801:2002 or ANSI/TIA-568-C.2	$1 \text{ MHz} \leq f \leq 250 \text{ MHz}$
Up to 10GBASE-T	Category 6A cord in ISO/IEC 11801-1 or ANSI/TIA-568-C.2	$1 \text{ MHz} \leq f \leq 500 \text{ MHz}$

145.4.9.2.1 Maximum link delay

The propagation delay contribution of the Midspan PSE device shall not exceed 2.5 ns from 1 MHz to the highest referenced frequency.

145.4.9.2.2 Maximum link delay skew

The propagation delay skew of the Midspan PSE device shall not exceed 1.25 ns from 1 MHz to the highest referenced frequency.

145.4.9.3 Midspan signal path requirements

An Alternative A Midspan PSE transfer function gain shall be greater than that expressed by Equation (145–34) for the frequency range from 0.1 MHz to 1 MHz, at the pins of the PI used as 100BASE-TX transmit pins.

$$\left\{ -0.1 + 37.5 \times \log_{10} \left(\frac{22.4 \times f}{\sqrt{1 + 521 \times f^2}} \right) \right\}_{\text{dB}} \tag{145–34}$$

where

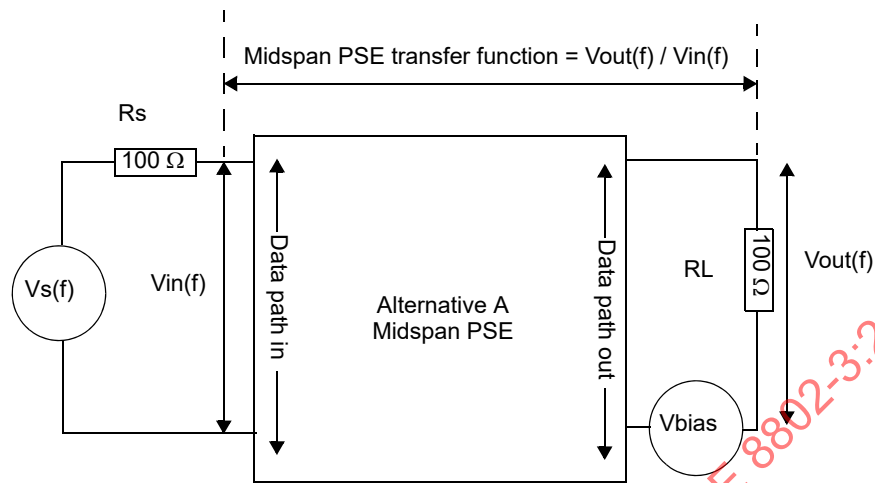
f is the frequency expressed in MHz

The requirements shall be met with a DC bias current, I_{bias} , between 0 mA and $(I_{\text{unb}}/2)$ mA (I_{unb} is defined in Table 145–16).

145.4.9.3.1 Alternative A Midspan PSE signal path transfer function

The transfer function is measured by applying a test signal to the Midspan PSE signal input through a source impedance of $100 \Omega \pm 1 \%$. The Midspan PSE signal input and output may be connected to a 0.5 m maximum length of cable, meeting the requirements of 25.4.9, terminated with $100 \Omega \pm 1 \%$.

The transfer function is defined from the output termination to the Midspan PSE input. See Figure 145–39.



$V_{in}(f)$ is the sine wave signal to be used to measure the Midspan PSE transfer function.
 V_{bias} is the DC offset voltage to be applied in series with R_L in order to generate I_{bias} .
 $V_{out}(f)$ is the Midspan PSE response to $V_{in}(f)$.
 Some test equipment may require isolation between measurement ports.

Figure 145–39—Measurement setup for Alternative A Midspan PSE transfer function

145.4.9.4 Coupling parameters between link segments

Midspan PSEs intended for operation with 2.5G/5G/10GBASE-T (variants 3 through 5 in 145.4.9.1 and 145.4.9.2) are additionally required to meet the following specifications for PSANEXT and PSAFEXT for coupling signals between ports relating to different link segments. Noise coupled between the disturbed duplex channel in a link segment and the disturbing duplex channels in other link segments is referred to as alien crosstalk noise. To bound the total alien NEXT loss and alien FEXT loss coupled between link segments, multiple disturber alien near-end crosstalk (MDANEXT) loss and multiple disturber alien FEXT (MDAFEXT) loss is specified.

145.4.9.4.1 Multiple disturber power sum alien near-end crosstalk (PSANEXT) loss

PSANEXT loss for 2.5G/5G/10GBASE-T capable Midspan PSE devices shall meet or exceed the values determined using Equation (145–35). For other than 5GBASE-T or 10GBASE-T operation, PSANEXT loss for Midspan PSE devices shall meet the values determined by Equation (145–35) from 1 MHz to 100 MHz. For 5GBASE-T capable midspans, PSANEXT loss for Midspan PSE devices shall meet the values determined by Equation (145–35) from 1 MHz to 250 MHz. For 10GBASE-T capable midspans, PSANEXT loss for Midspan PSE devices shall meet the values determined by Equation (145–35) from 1 MHz to 500 MHz. When the computed PSANEXT value at a certain frequency exceeds 67 dB, the PSANEXT result at that frequency is for information only.

$$\text{PSANEXT loss} = 70.5 - 20 \times \log_{10}(f/100) \tag{145-35}$$

145.4.9.4.2 Multiple disturber power sum alien far-end crosstalk (PSAFEXT) loss

PSAFEXT loss for 2.5G/5G/10GBASE-T capable Midspan PSE devices shall meet or exceed the values determined in Equation (145–36). For other than 5GBASE-T or 10GBASE-T operation, PSAFEXT loss for Midspan PSE devices shall meet the values determined by Equation (145–36) from 1 MHz to 100 MHz. For

5GBASE-T capable midspans, PSFAEXT loss for Midspan PSE devices shall meet the values determined by Equation (145–36) from 1 MHz to 250 MHz. For 10GBASE-T capable midspans, PSFAEXT loss for Midspan PSE devices shall meet the values determined by Equation (145–36) from 1 MHz to 500 MHz. When the computed PSFAEXT value at a certain frequency exceeds 67 dB, the PSFAEXT result at that frequency is for information only.

$$\text{PSFAEXT loss} = 67 - 20 \times \log_{10}(f/100) \quad (145-36)$$

145.5 Data Link Layer classification

Additional control and classification functions are supported using Data Link Layer classification using frames based on the IEEE 802.3 Organizationally Specific TLVs defined in Clause 79. Single-signature PDs that request Class 4 or higher and dual-signature PDs that request Class 4 or higher on either Mode support Data Link Layer classification (see 145.3.6). Data Link Layer classification is optional for all other devices.

145.5.1 TLV frame definition

Implementations that support Data Link Layer classification shall comply with all mandatory parts of IEEE Std 802.1AB-2016; shall support the Power via MDI Type, Length, Value (TLV) defined in 79.3.2 and may support the Power via MDI Measurements TLV defined in 79.3.8.

All reserved fields in transmitted Power via MDI TLVs shall contain zero, and all reserved fields in received Power via MDI TLVs shall be ignored.

145.5.2 Data Link Layer classification timing requirements

PSEs shall send an LLDPDU containing a Power via MDI TLV within 10 seconds of Data Link Layer classification being enabled in the PSE as indicated by the variable `pse_dll_enable` (145.2.5.4, 145.5.3.2.2).

PDs shall set the variable `pd_dll_ready` within 5 minutes of Data Link Layer classification being enabled in a PD as indicated by the variable `pd_dll_enable` (145.3.3.3.2, 145.3.3.4.2, and 145.5.3.3.1).

The PSE shall send an LLDPDU containing a Power via MDI TLV with an updated value for the ‘PSE allocated power value’ field, ‘PSE allocated power value Alternative A’ field, and ‘PSE allocated power value Alternative B’ field within 10 seconds of receiving an LLDPDU containing a Power via MDI TLV where the ‘PD requested power value’ field, ‘PD requested power value for Mode A’ field, or ‘PD requested power value for Mode B’ field is different from the previously communicated value.

The PD shall send an LLDPDU containing a Power via MDI TLV with an updated value for the ‘PD requested power value’ field, ‘PD requested power value for Mode A’ field, and ‘PD requested power value for Mode B’ field within 10 seconds of receiving an LLDPDU containing a Power via MDI TLV where the ‘PSE allocated power value’ field, ‘PSE allocated power value Alternative A’ field, or ‘PSE allocated power value Alternative B’ field is different from the previously communicated value.

145.5.3 Power control state diagrams

The power control state diagrams for PSEs and PDs specify the externally observable behavior of a PSE and PD Data Link Layer classification respectively.

Data Link Layer classification of PSEs shall provide the behavior in the state diagrams defined in Figure 145–40, Figure 145–41, Figure 145–42, and Figure 145–43.

Single-signature PD Data Link Layer classification shall provide the behavior of the state diagrams defined in Figure 145–44 and Figure 145–45. Dual-signature PD Data Link Layer classification shall provide the behavior of the state diagram defined in Figure 145–46 and Figure 145–47.

145.5.3.1 Conventions

The body of this subclause is comprised of state diagrams, including the associated definitions of variables, constants, and functions. Should there be a discrepancy between a state diagram and descriptive text, the state diagram prevails.

The notation used in the state diagrams follows the conventions of state diagrams as described in 145.2.5.2.

145.5.3.2 PSE power control state diagrams

145.5.3.2.1 Alternative designation

Dual-signature PSEs provide the behavior of the state diagram shown in Figure 145–46 over each pairset independently unless otherwise specified. All the parameters that apply to Alternative A and Alternative B are denoted with the suffix “_alt(X)” where “X” can be “A” or “B”, or “_alt(P)” where “P” can be “A” or “B”. A parameter that ends with the suffix “_alt(X)” may have different values for Alternative A and Alternative B.

PSEs providing power to a dual-signature PD operate over two semi-independent state diagrams, one for Alternative A, another for Alternative B. Alternative information is obtained by replacing the X in the desired variable or function with the letter of the Alternative of interest. Alternatives are referred to in general as follows:

- X
Generic Alternative designator. When X is used in a state diagram, its value is local to that state diagram and not global to the set of state diagrams.
Values:
A: Alternative A
B: Alternative B
- P
Powered Alternative designator. When P is used in a state diagram, its value is local to that state diagram and not global to the set of state diagrams. “P” refers to the Alternative that is currently powered. Its value is only defined when the PSE operates in 2-pair mode.
Values:
A: Alternative A
B: Alternative B

145.5.3.2.2 Variables

The PSE power control state diagrams in Figure 145–40, Figure 145–41, Figure 145–42, and Figure 145–43 use the following variables:

- MirroredPDAutoclassRequest
The copy of the ‘PD Autoclass request’ field in the Power via MDI TLV that the PSE receives from the remote system. This variable is mapped from aLldpXdot3RemAutoclassRequest (30.12.3.1.18o) and assigned through Table 145–38.
Values:
FALSE: The PD does not request an Autoclass measurement to be performed.
TRUE: The PD requests an Autoclass measurement to be performed.

MirroredPDRequestedPowerValue

The copy of the ‘PD Requested Power Value’ field in the Power Via MDI TLV that the PSE receives from the remote system in units of 0.1 W. This variable is mapped from the aLldpXdot3RemPDRequestedPowerValue attribute (30.12.3.1.17) and set through Table 145–38.

Values: 0 through 999, and 0xACAC

MirroredPDRequestedPowerValue_alt(X)

The copy of the ‘PD Requested Power Value’ field for Alternative(X) in the Power Via MDI TLV that the PSE receives from the remote system in units of 0.1 W. This variable is mapped from the aLldpXdot3RemPDRequestedPowerValueA and aLldpXdot3RemPDRequestedPowerValueB attribute (30.12.3.1.17a and 30.12.3.1.17b) and set through Table 145–38.

Values: 0 through 499

MirroredPSEAllocatedPowerValueEcho

The copy of the ‘PSE Allocated Power Value’ field in the Power Via MDI TLV that the PSE receives from the remote system. This variable is mapped from the aLldpXdot3RemPSEAllocatedPowerValue attribute (30.12.3.1.18) and set through Table 145–38.

Values: 0 through 999, and 0xACAC

MirroredPSEAllocatedPowerValueEcho_alt(X)

The copy of the ‘PSE Allocated Power Value’ field for Alternative(X) in the Power Via MDI TLV that the PSE receives from the remote system. This variable is mapped from the aLldpXdot3RemPSEAllocatedPowerValueA and aLldpXdot3RemPSEAllocatedPowerValueB attribute (30.12.3.1.18a and 30.12.3.1.18b) and set through Table 145–38.

Values: 0 through 499

PDRequestedPowerValueEcho

This variable is updated by the PSE state diagram. This variable maps into the aLldpXdot3LocPDRequestedPowerValue attribute (30.12.2.1.17).

Values: 0 through 999, and 0xACAC

PDRequestedPowerValueEcho_alt(X)

This variable is updated by the PSE state diagram. This variable maps into the aLldpXdot3LocPDRequestedPowerValueA and aLldpXdot3LocPDRequestedPowerValueB attribute (30.12.2.1.17a and 30.12.2.1.17b).

Values: 0 through 499

PSEAllocatedPowerValue

Integer that indicates the PSE allocated power value in the PSE in units of 0.1 W. The value is the maximum input average power (see 145.3.8.2) the PD ever draws. This variable maps to the aLldpXdot3LocPSEAllocatedPowerValue attribute (30.12.2.1.18). A value higher than 713 indicates that the PSE is capable of supporting a power level beyond P_{Class_PD} at the PD PI. This may require an output power level higher than P_{Type} min. See 145.2.8.

Values: 0 through 999, and 0xACAC

PSEAllocatedPowerValue_alt(X)

Integer that indicates the PSE allocated power value in the PSE in units of 0.1 W. The value is the maximum input average power (see 145.3.8.2) the PD ever draws. This variable maps to the aLldpXdot3LocPSEAllocatedPowerValueA and aLldpXdot3LocPSEAllocatedPowerValueB attribute (30.12.2.1.18a and 30.12.2.1.18b). A value higher than 356 indicates that the PSE is capable of supporting a power level beyond P_{Class_PD} at the PD PI. This may require an output power level higher than P_{Type} min. See 145.2.8.

Values: 0 through 499

PSEAutoclassCompleted

A Boolean that indicates the PSE has completed the PD Autoclass request. This variable is mapped into the aLldpXdot3LocPSEAutoclassCompleted (30.12.2.1.18n) attribute.

Values:

- FALSE: The PSE has not completed the Autoclass measurement, or it is not performing a Autoclass measurement.
- TRUE: The PSE has completed the Autoclass measurement.

PSEAutoclassSupport

A Boolean variable that indicates if the PSE supports Autoclass in the PSE. This variable is mapped into the aLldpXdot3LocPSEAutoclassSupport (30.12.2.1.18m) attribute.

Values:

- FALSE: The PSE does not support Autoclass.
- TRUE: The PSE supports Autoclass.

TempVar

A variable used to store Power Value in units of 0.1 W.

Values: 0 through 999, and 0xACAC

TempVar_alt(X)

A variable used to store a Power Value in units of 0.1 W.

Values: 0 through 499.

alt_pri

A variable used to select which Alternative assumes the role of Primary Alternative in the PSE state diagram in Figure 145–13.

Values:

- a: Alternative A assumes the role of Primary Alternative. When operating over 4 pairs, Alternative B assumes the role of Secondary Alternative.
- b: Alternative B assumes the role of Primary Alternative. When operating over 4 pairs, Alternative A assumes the role of Secondary Alternative.

fourpairmode

Alias for the following term: (alt_pwrd_pri * alt_pwrd_sec)

local_system_change

An implementation-specific variable that indicates that the local system wants to change the allocated power value. This indicates the PSE is going to change the power allocated to the PD. This variable may be set by the PSE at any time.

Values:

- FALSE: The PSE does not want to change the power allocation.
- TRUE: The PSE wants to change the power allocation.

local_system_change_alt(X)

An implementation-specific variable that indicates that the local system wants to change the allocated power value. This indicates the PSE is going to change the power allocated to the PD for Alternative(X). This variable may be set by the PSE at any time.

Values:

- FALSE: The PSE does not want to change the power allocation.
- TRUE: The PSE wants to change the power allocation.

pse_alternative

This variable defined in 145.2.5.4 indicates which Pinout Alternative the PSE uses to apply power to the PI (see Table 145–3).

Values:

- a: The PSE uses PSE pinout Alternative A.
- b: The PSE uses PSE pinout Alternative B.
- both: The PSE uses both Alternative A and Alternative B.

pse_dll_enable

A variable output by the PSE state diagram (Figure 145–13) to indicate if the PSE Data Link Layer classification mechanism is enabled.

Values:

- FALSE: PSE Data Link Layer classification is not enabled.
- TRUE: PSE Data Link Layer classification is enabled.

pse_dll_ready

See pse_dll_ready in 145.2.5.4.

pse_initial_value

The value of this variable is valid after classification and is derived from the pse_allocated_pwr and pd_autoclass variables (145.2.5.4), which is used in the PSE state diagrams in 145.2.5.7. The value is quantized to fit the available resolution. Additional information on power levels for Class 8 may be found in 145.3.8.2.1. This variable is set per this description.

Values:

pd_autoclass	pse_allocated_pwr	pse_initial_value
FALSE	1	39
FALSE	2	65
FALSE	3	130
FALSE	4	255
FALSE	5	400
FALSE	6	510
FALSE	7	620
FALSE	8	713
TRUE	—	0xACAC

pse_initial_value_alt(X)

The value of this variable is valid after classification and is derived from pse_allocated_pwr_pri and pse_allocated_pwr_sec variables (145.2.5.4), which is used in the PSE state diagrams in 145.2.5.7. The value is quantized to fit the available resolution. Additional information on power levels for Class 5 may be found in 145.3.8.2.1. This variable is set per this description.

Values:

pse_allocated_pwr_pri/sec	pse_initial_value_alt(X)
1	39
2	65
3	130
4	255
5	356

pse_power_update

A variable that is set when the PSEAllocatedPowerValue in the DLL state diagram in Figure 145–40 has been updated.

Values:

- FALSE: The value of PSEAllocatedPowerValue has not changed.
- TRUE: The value of PSEAllocatedPowerValue has changed.

pse_power_update_pri

A variable that is set when the PSEAllocatedPowerValue_alt(X) in the DLL state diagram in Figure 145–42 or Figure 145–43 has been updated.

Values:

- FALSE: The value of PSEAllocatedPowerValue_alt(X) has not changed.
- TRUE: The value of PSEAllocatedPowerValue_alt(X) has changed.

pse_power_update_sec

A variable that is set when the PSEAllocatedPowerValue_alt(X) in the DLL state diagram in Figure 145–42 or Figure 145–43 has been updated.

Values:

- FALSE: The value of PSEAllocatedPowerValue_alt(X) has not changed.
- TRUE: The value of PSEAllocatedPowerValue_alt(X) has changed.

sig_type

A variable generated from the do_cxn_chk function of the PSE state diagram in Figure 145–13, which indicates if the PSE is connected to a single-signature PD or a dual-signature PD.

Values:

- invalid: Neither a single-signature PD nor a dual-signature PD connection check signature has been found. This includes an open circuit condition.
- single: The PSE has determined there is a single-signature PD configuration connected to the PI.
- dual: The PSE has determined there is a dual-signature PD configuration connected to the PI.

twopairmode

Alias for the following term: (alt_pwrd_pri ^ alt_pwrd_sec)

A summary cross-references between the Power over Ethernet classification local and remote object class attributes and the PSE power control state diagrams, including the direction of the mapping, is provided in Table 145–38.

145.5.3.2.3 Functions

do_autoclass_measure

A function defined in the PSE state diagram, which measures $P_{\text{Autoclass}}$ as defined in 145.2.8.2.

do_pse_power_review

This function evaluates the power allocation or budget of the PSE based on local system changes or changes of the PD requested power value.

The function returns the following variable:

pse_new_value:

The new maximum power value that the PSE expects the PD to draw in units of 0.1 W.

Valid values: 1 through 999, and 0xACAC

do_pse_power_review_alt(X)

This function evaluates the power allocation or budget of the PSE based on local system changes.

The function returns the following variable:

pse_new_value_alt(X):

The new maximum power value that the PSE expects the PD to draw in units of 0.1 W.

145.5.3.2.4 Attribute to state diagram variable mapping

Table 145–38 shows the mapping between state diagram variables and Clause 30 attributes for PSEs.

Table 145–38—Attribute to state diagram variable cross reference for PSEs

Attribute	Mapping	State diagram variable
oLldpXdot3LocSystemsGroup Object Class		
aLldpXdot3LocPDRRequestedPowerValue	⇐	PDRRequestedPowerValueEcho
aLldpXdot3LocPSEAllocatedPowerValue	⇐	PSEAllocatedPowerValue
aLldpXdot3LocReady	⇐	pse_dll_ready
aLldpXdot3LocPSEAutoclassSupport	⇐	PSEAutoclassSupport
aLldpXdot3LocAutoclassCompleted	⇐	PSEAutoclassCompleted
aLldpXdot3LocPDRRequestedPowerValueA	⇐	PDRRequestedPowerValueEcho_alt(A)
aLldpXdot3LocPDRRequestedPowerValueB	⇐	PDRRequestedPowerValueEcho_alt(B)
aLldpXdot3LocPSEAllocatedPowerValueA	⇐	PSEAllocatedPowerValue_alt(A)
aLldpXdot3LocPSEAllocatedPowerValueB	⇐	PSEAllocatedPowerValue_alt(B)
oLldpXdot3RemSystemsGroup Object Class		
aLldpXdot3RemPDRRequestedPowerValue	⇒	MirroredPDRRequestedPowerValue
aLldpXdot3RemPSEAllocatedPowerValue	⇒	MirroredPSEAllocatedPowerValueEcho
aLldpXdot3RemAutoclassRequest	⇒	MirroredPDAutoclassRequest
aLldpXdot3RemPDRRequestedPowerValueA	⇒	MirroredPDRRequestedPowerValue_alt(A)
aLldpXdot3RemPDRRequestedPowerValueB	⇒	MirroredPDRRequestedPowerValue_alt(B)
aLldpXdot3RemPSEAllocatedPowerValueA	⇒	MirroredPSEAllocatedPowerValueEcho_alt(A)
aLldpXdot3RemPSEAllocatedPowerValueB	⇒	MirroredPSEAllocatedPowerValueEcho_alt(B)