
**Telecommunications and exchange
between information technology
systems — Requirements for local and
metropolitan area networks —**

Part 3:
Standard for Ethernet

**AMENDMENT 5: Physical layers
specifications and management
parameters for 10 Mb/s operation and
associated power delivery over a single
balanced pair of conductors**

*Télécommunications et échange entre systèmes informatiques —
Exigences pour les réseaux locaux et métropolitains —*

Partie 3: Norme pour Ethernet

*AMENDEMENT 5: Spécifications des couches physiques et paramètres
de gestion pour fonctionnement à 10 Mb/s et fourniture de puissance
associée sur une paire symétrique unique de conducteurs*





COPYRIGHT PROTECTED DOCUMENT

© IEEE 2020

All rights reserved. Unless otherwise specified, or required in the context of its implementation, no part of this publication may be reproduced or utilized otherwise in any form or by any means, electronic or mechanical, including photocopying, or posting on the internet or an intranet, without prior written permission. Permission can be requested from IEEE at the address below.

Institute of Electrical and Electronics Engineers, Inc
3 Park Avenue, New York
NY 10016-5997, USA

Email: stds.ipr@ieee.org
Website: www.ieee.org

Published in Switzerland

Foreword

ISO (the International Organization for Standardization) and IEC (the International Electrotechnical Commission) form the specialized system for worldwide standardization. National bodies that are members of ISO or IEC participate in the development of International Standards through technical committees established by the respective organization to deal with particular fields of technical activity. ISO and IEC technical committees collaborate in fields of mutual interest. Other international organizations, governmental and non-governmental, in liaison with ISO and IEC, also take part in the work.

The procedures used to develop this document and those intended for its further maintenance are described in the ISO/IEC Directives, Part 1. In particular, the different approval criteria needed for the different types of ISO/IEC documents should be noted. This document was drafted in accordance with the editorial rules of the ISO/IEC Directives, Part 2 (see www.iso.org/directives or www.iec.ch/members_experts/refdocs).

IEEE Standards documents are developed within the IEEE Societies and the Standards Coordinating Committees of the IEEE Standards Association (IEEE-SA) Standards Board. The IEEE develops its standards through a consensus development process, approved by the American National Standards Institute, which brings together volunteers representing varied viewpoints and interests to achieve the final product. Volunteers are not necessarily members of the Institute and serve without compensation. While the IEEE administers the process and establishes rules to promote fairness in the consensus development process, the IEEE does not independently evaluate, test, or verify the accuracy of any of the information contained in its standards.

Attention is drawn to the possibility that some of the elements of this document may be the subject of patent rights. ISO and IEC shall not be held responsible for identifying any or all such patent rights. Details of any patent rights identified during the development of the document will be in the Introduction and/or on the ISO list of patent declarations received (see www.iso.org/patents) or the IEC list of patent declarations received (see patents.iec.ch).

Any trade name used in this document is information given for the convenience of users and does not constitute an endorsement.

For an explanation of the voluntary nature of standards, the meaning of ISO specific terms and expressions related to conformity assessment, as well as information about ISO's adherence to the World Trade Organization (WTO) principles in the Technical Barriers to Trade (TBT), see www.iso.org/iso/foreword.html. In the IEC, see www.iec.ch/understanding-standards.

ISO/IEC/IEEE 8802-3:2021/Amd 5 was prepared by the LAN/MAN of the IEEE Computer Society (as [IEEE Std 802.3 cg™-2019]) and drafted in accordance with its editorial rules. It was adopted, under the “fast-track procedure” defined in the Partner Standards Development Organization cooperation agreement between ISO and IEEE, by Joint Technical Committee ISO/IEC JTC 1, *Information technology*, Subcommittee SC 6, *Telecommunications and information exchange between systems*.

A list of all parts in the ISO/IEC/IEEE 8802 series can be found on the ISO and IEC websites.

Any feedback or questions on this document should be directed to the user's national standards body. A complete listing of these bodies can be found at www.iso.org/members.html and www.iec.ch/national-committees.

STANDARDSISO.COM : Click to view the full PDF of ISO/IEC/IEEE 8802-3:2021/Amd 5:2021

IEEE Std 802.3cg™-2019
(Amendment to IEEE Std 802.3™-2018
as amended by IEEE Std 802.3cb™-2018,
IEEE Std 802.3bt™-2018, IEEE Std 802.3cd™-2018,
and IEEE Std 802.3cn™-2019)

IEEE Standard for Ethernet

Amendment 5: Physical Layer Specifications and Management Parameters for 10 Mb/s Operation and Associated Power Delivery over a Single Balanced Pair of Conductors

Developed by the
LAN/MAN Standards Committee
of the
IEEE Computer Society

Approved 7 November 2019
IEEE SA Standards Board

Abstract: This amendment to IEEE Std 802.3-2018 specifies additions and appropriate modifications to add 10 Mb/s Physical Layer (PHY) specifications and management parameters for operation, and associated optional provision of power, over a single balanced pair of conductors.

Keywords: 10BASE-T1L, 10BASE-T1S, amendment, copper, Ethernet, IEEE 802.3™, IEEE 802.3cg™, MASTER-SLAVE, medium dependent interface, physical coding sublayer, Physical Layer, Physical Layer Collision Avoidance, PLCA, physical medium attachment

The Institute of Electrical and Electronics Engineers, Inc.
3 Park Avenue, New York, NY 10016-5997, USA

Copyright © 2020 by The Institute of Electrical and Electronics Engineers, Inc.
All rights reserved. Published 5 February 2020. Printed in the United States of America.

IEEE and 802 are registered trademarks in the U.S. Patent & Trademark Office, owned by The Institute of Electrical and Electronics Engineers, Incorporated.

PDF: ISBN 978-1-5044-6420-8 STD24038
Print: ISBN 978-1-5044-6421-5 STDPD24038

IEEE prohibits discrimination, harassment and bullying.

For more information, visit <http://www.ieee.org/web/aboutus/whatis/policies/p9-26.html>.

No part of this publication may be reproduced in any form, in an electronic retrieval system or otherwise, without the prior written permission of the publisher.

Important Notices and Disclaimers Concerning IEEE Standards Documents

IEEE documents are made available for use subject to important notices and legal disclaimers. These notices and disclaimers, or a reference to this page, appear in all standards and may be found under the heading “Important Notices and Disclaimers Concerning IEEE Standards Documents.” They can also be obtained on request from IEEE or viewed at <http://standards.ieee.org/ipr/disclaimers.html>.

Notice and Disclaimer of Liability Concerning the Use of IEEE Standards Documents

IEEE Standards documents (standards, recommended practices, and guides), both full-use and trial-use, are developed within IEEE Societies and the Standards Coordinating Committees of the IEEE Standards Association (“IEEE SA”) Standards Board. IEEE (“the Institute”) develops its standards through a consensus development process, approved by the American National Standards Institute (“ANSI”), which brings together volunteers representing varied viewpoints and interests to achieve the final product. IEEE Standards are documents developed through scientific, academic, and industry-based technical working groups. Volunteers in IEEE working groups are not necessarily members of the Institute and participate without compensation from IEEE. While IEEE administers the process and establishes rules to promote fairness in the consensus development process, IEEE does not independently evaluate, test, or verify the accuracy of any of the information or the soundness of any judgments contained in its standards.

IEEE Standards do not guarantee or ensure safety, security, health, or environmental protection, or ensure against interference with or from other devices or networks. Implementers and users of IEEE Standards documents are responsible for determining and complying with all appropriate safety, security, environmental, health, and interference protection practices and all applicable laws and regulations.

IEEE does not warrant or represent the accuracy or content of the material contained in its standards, and expressly disclaims all warranties (express, implied and statutory) not included in this or any other document relating to the standard, including, but not limited to, the warranties of: merchantability; fitness for a particular purpose; non-infringement; and quality, accuracy, effectiveness, currency, or completeness of material. In addition, IEEE disclaims any and all conditions relating to: results; and workmanlike effort. IEEE standards documents are supplied “AS IS” and “WITH ALL FAULTS.”

Use of an IEEE standard is wholly voluntary. The existence of an IEEE standard does not imply that there are no other ways to produce, test, measure, purchase, market, or provide other goods and services related to the scope of the IEEE standard. Furthermore, the viewpoint expressed at the time a standard is approved and issued is subject to change brought about through developments in the state of the art and comments received from users of the standard.

In publishing and making its standards available, IEEE is not suggesting or rendering professional or other services for, or on behalf of, any person or entity nor is IEEE undertaking to perform any duty owed by any other person or entity to another. Any person utilizing any IEEE Standards document, should rely upon his or her own independent judgment in the exercise of reasonable care in any given circumstances or, as appropriate, seek the advice of a competent professional in determining the appropriateness of a given IEEE standard.

IN NO EVENT SHALL IEEE BE LIABLE FOR ANY DIRECT, INDIRECT, INCIDENTAL, SPECIAL, EXEMPLARY, OR CONSEQUENTIAL DAMAGES (INCLUDING, BUT NOT LIMITED TO: PROCUREMENT OF SUBSTITUTE GOODS OR SERVICES; LOSS OF USE, DATA, OR PROFITS; OR BUSINESS INTERRUPTION) HOWEVER CAUSED AND ON ANY THEORY OF LIABILITY, WHETHER IN CONTRACT, STRICT LIABILITY, OR TORT (INCLUDING NEGLIGENCE OR OTHERWISE) ARISING IN ANY WAY OUT OF THE PUBLICATION, USE OF, OR RELIANCE UPON ANY STANDARD, EVEN IF ADVISED OF THE POSSIBILITY OF SUCH DAMAGE AND REGARDLESS OF WHETHER SUCH DAMAGE WAS FORESEEABLE.

Translations

The IEEE consensus development process involves the review of documents in English only. In the event that an IEEE standard is translated, only the English version published by IEEE should be considered the approved IEEE standard.

Official statements

A statement, written or oral, that is not processed in accordance with the IEEE SA Standards Board Operations Manual shall not be considered or inferred to be the official position of IEEE or any of its committees and shall not be considered to be, or be relied upon as, a formal position of IEEE. At lectures, symposia, seminars, or educational courses, an individual presenting information on IEEE standards shall make it clear that his or her views should be considered the personal views of that individual rather than the formal position of IEEE.

Comments on standards

Comments for revision of IEEE Standards documents are welcome from any interested party, regardless of membership affiliation with IEEE. However, IEEE does not provide consulting information or advice pertaining to IEEE Standards documents. Suggestions for changes in documents should be in the form of a proposed change of text, together with appropriate supporting comments. Since IEEE standards represent a consensus of concerned interests, it is important that any responses to comments and questions also receive the concurrence of a balance of interests. For this reason, IEEE and the members of its societies and Standards Coordinating Committees are not able to provide an instant response to comments or questions except in those cases where the matter has previously been addressed. For the same reason, IEEE does not respond to interpretation requests. Any person who would like to participate in revisions to an IEEE standard is welcome to join the relevant IEEE working group.

Comments on standards should be submitted to the following address:

Secretary, IEEE SA Standards Board
445 Hoes Lane
Piscataway, NJ 08854 USA

Laws and regulations

Users of IEEE Standards documents should consult all applicable laws and regulations. Compliance with the provisions of any IEEE Standards document does not imply compliance to any applicable regulatory requirements. Implementers of the standard are responsible for observing or referring to the applicable regulatory requirements. IEEE does not, by the publication of its standards, intend to urge action that is not in compliance with applicable laws, and these documents may not be construed as doing so.

Copyrights

IEEE draft and approved standards are copyrighted by IEEE under US and international copyright laws. They are made available by IEEE and are adopted for a wide variety of both public and private uses. These include both use, by reference, in laws and regulations, and use in private self-regulation, standardization, and the promotion of engineering practices and methods. By making these documents available for use and adoption by public authorities and private users, IEEE does not waive any rights in copyright to the documents.

Photocopies

Subject to payment of the appropriate fee, IEEE will grant users a limited, non-exclusive license to photocopy portions of any individual standard for company or organizational internal use or individual, non-commercial use only. To arrange for payment of licensing fees, please contact Copyright Clearance Center, Customer Service, 222 Rosewood Drive, Danvers, MA 01923 USA; +1 978 750 8400. Permission to photocopy portions of any individual standard for educational classroom use can also be obtained through the Copyright Clearance Center.

Updating of IEEE Standards documents

Users of IEEE Standards documents should be aware that these documents may be superseded at any time by the issuance of new editions or may be amended from time to time through the issuance of amendments, corrigenda, or errata. An official IEEE document at any point in time consists of the current edition of the document together with any amendments, corrigenda, or errata then in effect.

Every IEEE standard is subjected to review at least every 10 years. When a document is more than 10 years old and has not undergone a revision process, it is reasonable to conclude that its contents, although still of some value, do not wholly reflect the present state of the art. Users are cautioned to check to determine that they have the latest edition of any IEEE standard.

In order to determine whether a given document is the current edition and whether it has been amended through the issuance of amendments, corrigenda, or errata, visit IEEE Xplore at <https://ieeexplore.ieee.org> or contact IEEE at the address listed previously. For more information about the IEEE SA or IEEE's standards development process, visit the IEEE SA Website at <http://standards.ieee.org>.

Errata

Errata, if any, for IEEE standards can be accessed via <https://standards.ieee.org/standard/index.html>. Search for standard number and year of approval to access the web page of the published standard. Errata links are located under the Additional Resources Details section. Errata are also available in IEEE Xplore: <https://ieeexplore.ieee.org/browse/standards/collection/ieee/>. Users are encouraged to periodically check for errata.

Patents

Attention is called to the possibility that implementation of this standard may require use of subject matter covered by patent rights. By publication of this standard, no position is taken by the IEEE with respect to the existence or validity of any patent rights in connection therewith. If a patent holder or patent applicant has filed a statement of assurance via an Accepted Letter of Assurance, then the statement is listed on the IEEE SA Website at <https://standards.ieee.org/about/sasb/patcom/patents.html>. Letters of Assurance may indicate whether the Submitter is willing or unwilling to grant licenses under patent rights without compensation or under reasonable rates, with reasonable terms and conditions that are demonstrably free of any unfair discrimination to applicants desiring to obtain such licenses.

Essential Patent Claims may exist for which a Letter of Assurance has not been received. The IEEE is not responsible for identifying Essential Patent Claims for which a license may be required, for conducting inquiries into the legal validity or scope of Patents Claims, or determining whether any licensing terms or conditions provided in connection with submission of a Letter of Assurance, if any, or in any licensing agreements are reasonable or non-discriminatory. Users of this standard are expressly advised that determination of the validity of any patent rights, and the risk of infringement of such rights, is entirely their own responsibility. Further information may be obtained from the IEEE Standards Association.

Participants

The following individuals were officers and members of the IEEE 802.3 Working Group at the beginning of the IEEE P802.3cg Working Group ballot.

David J. Law, *IEEE 802.3 Working Group Chair*
Adam Healey, *IEEE 802.3 Working Group Vice-Chair*
Pete Anslow, *IEEE 802.3 Working Group Secretary*
Steven B. Carlson, *IEEE 802.3 Working Group Executive Secretary*
Valerie Maguire, *IEEE 802.3 Working Group Treasurer*

George Zimmerman, *IEEE P802.3cg 10 Mb/s Single-Pair Ethernet Task Force Chair*
Valerie Maguire, *IEEE P802.3cg 10 Mb/s Single-Pair Ethernet Task Force Editor-in-Chief*

John Abbott	Gerrit den Besten	Gergely Huszak
David Abramson	Claudio DeSanti	Yasuhiro Hyakutake
Andrea Agnes	Eric DiBiao	Jonathan Ingham
Dale Amason	Chris Diminico	Alessandro Ingrassia
Richard Baca	Hormoz Djahanshahi	Kazuhiko Ishibe
Amrik Bains	Curtis Donahue	Hideki Isono
Thananya Baldwin	Liang Du	Tom Issenhuth
Denis Beaudoin	Mike Dudek	Kenneth Jackson
Francois Beaugard	Frank Effenberger	Andrew Jimenez
Piergiorgio Beruto	David Estes	John Johnson
Vipul Bhatt	John Ewen	Chad Jones
Gao Bo	Ramin Farjad	Peter Jones
Brad Booth	Borhan Fathi Moghadam	Lokesh Kabra
Martin Bouda	Shahar Feldman	Manabu Kagami
David Brandt	Vincent Ferretti	Upen Kareti
Ralf-Peter Braun	Alan Flatman	Yasuaki Kawatsu
Theodore Brillhart	Brian Franchuk	Yong Kim
Paul Brooks	Matthias Fritsche	Mark Kimber
Alan Brown	Richard Frosch	Andrew Klaus
Matthew Brown	Mike Gardner	Michael Klempa
Phillip Brownlee	Claude Gauthier	Curtis Knittle
Michal Brychta	Ali Ghiasi	Elizabeth Kochuparambil
Chris Bullock	Joel Goergen	Paul Kolesar
Gary Burrell	Zhigang Gong	Taiji Kondo
Jairo Bustos Heredia	Steven Gorshe	Glen Kramer
Adrian Butter	Jens Gottron	Olaf Krieger
John Calvin	Steffen Graber	Hans Lackner
Clark Carty	Olaf Grau	Jeffrey Lapak
Craig Chabot	Robert Grow	Mark Laubach
Mandeep Chadha	Yong Guo	Greg Le Cheminant
David Chalupsky	Mark Gustlin	Han Hyub Lee
Frank Chang	Marek Hajduczenia	June Hee Lee
Xin Chang	Akinori Hayakawa	David Lewis
Chan Chen	Hayden Haynes	Jon Lewis
Weiyang Cheng	Howard Heck	David Li
Golam Choudhury	Rajmohan Hegde	Mike-Peng Li
Keng Hua Chuang	David Hess	Jane Lim
Keith Conroy	Yasuo Hidaka	Alex Lin
John D'Ambrosia	Brian Holden	Robert Lingle
Yair Darshan	Rita Horner	Dekun Liu
Piers Dawe	Bernd Hormmeyer	Hai-Feng Liu
Fred Dawson	Xi Huang	Karen Liu

Zhenyu Liu	Dino Pozzebon	Stephen Trowbridge
Miklos Lukacs	Rick Rabinovich	Ta Chin Tseng
Kent Lusted	Adee Ran	Ed Ulrichs
Zahy Madgar	Alon Regev	Daisuke Umeda
Jeffery Maki	Duane Remein	Alexander Umnov
David Malicoat	Victor Renteria	Sterling A. Vaden
Arthur Marris	Michael Ressler	Paul Vanderlaan
Takeo Masuda	Salvatore Rotolo	Ricky Vernickel
Kirsten Matheus	Alexander Rysin	Marco Vitali
Erdem Matoglu	Toshiaki Sakai	Robert Voss
Marco Mazzini	Sam Sambasivan	Dylan Walker
Mick McCarthy	Edward Sayre	Edward Walter
Brett McClellan	James Schuessler	Haifei Wang
Larry McMillan	Steve Sekel	Roy Wang
Greg McSorley	Masood Shariff	Tongtong Wang
Marcel Medina	Ramin Shirani	Xinyuan Wang
Richard Mellitz	Mizuki Shirao	Christoph Wechsler
Phil Miguelez	Kapil Shrikhande	Brian Welch
Martin Miller	Jeff Slavick	Matthias Wendt
Toshiyuki Moritake	Daniel Smith	Natalie Wienckowski
Harald Mueller	Scott Sommers	Ludwig Winkel
Thomas Mueller	Bryan Sparrowhawk	James Withey
Edward Nakamoto	Edward Sprague	Peter Wu
Paul Neveux	Peter Stassar	Markus Wucher
Gary Nicholl	Heath Stewart	Dayin Xu
John Nolan	David Stover	Yu Xu
Kevin Noll	Junqing Sun	Shuto Yamamoto
Ronald Nordin	Liyang Sun	Adrian Young
Mark Nowell	Steve Swanson	James Young
David Ofelt	Andre Szczepanek	Lennart Yseboodt
Josef Ohni	Bharat Tailor	Andrew Zambell
Tom Palkert	Tomoo Takahara	Conrad Zerna
Sujan Pandey	Kohichi Tamura	Richard (Yujia) Zhou
Earl Parsons	Mehmet Tazebay	Yan Zhuang
Arkadiy Pekar	Ronald Tellas	Martin Zielinski
Gerald Pepper	Geoffrey Thompson	Pavel Zivny
Phong Pham	Piroot Tooyserkani	Harald Zweck
David Pichler	Nathan Tracy	
Rick Pimpinella	Matthew Traverso	
William Powell	David Tremblay	

The following members of the individual balloting committee voted on this amendment. Individuals may have not voted, voted for approval, disapproval or abstained on this standard.

Robert Aielo	Theodore Brillhart	Scott Griffiths
Thomas Alexander	Michal Brychta	Randall Groves
Richard Alfvén	Demetrio Bucaneg	Robert Grow
Dale Amason	Jairo Bustos Heredia	Marek Hajduczenia
Hongming An	William Byrd	Adam Healey
Pete Anslow	Steven B. Carlson	Marco Hernandez
Butch Anton	Clark Carty	Werner Hoelzl
Tim Baggett	John Deandrea	David Høglund
Michael Bahr	Chris Diminico	Gergely Huszak
Amrik Bains	Brian Franchuk	Yasuhiro Hyakutake
Gordon Bechtel	Avraham Freedman	Atsushi Ito
Piergiorgio Beruto	Matthias Fritsche	Raj Jain
Burrell Best	Claude Gauthier	Sang Kwon Jeong
Rich Boyer	Devon Gayle	Chad Jones
David Brandt	Joel Goergen	Peter Jones
Ralf-Peter Braun	Zhigang Gong	Lokesh Kabra
Nancy Bravin	Steffen Graber	Manabu Kagami

Piotr Karocki
Stuart Kerry
Yongbum Kim
Wojciech Koczwaro
Taiji Kondo
Robert Landman
Mark Laubach
David J. Law
Hyeong Ho Lee
David Lewis
Jon Lewis
Michael Lynch
Valerie Maguire
Jeffery Maki
Nicolai Malykh
Arthur Marris
Michael Maytum
Mick McCarthy
Brett McClellan
Larry McMillan
Richard Mellitz
Martin Miller
Jose Morales
Henry Muyshondt
Paul Neveux

Nick S. A. Nikjoo
Paul Nikolich
Mark Nowell
Satoshi Obara
Tom Palkert
Carlos Pardo
Bansi Patel
David Piehler
Rick Pimpinella
Christopher Pohl
William Quackenbush
R. K. Rannow
Alon Regev
Thomas Rettig
Maximilian Riegel
Gary Robinson
Robert Robinson
Toshiaki Sakai
Nicola Scantamburlo
Dieter Schicketanz
Michael Seaman
Thomas Starai
Heath Stewart
Walter Struppler
Mitsutoshi Sugawara

Junqing Sun
Geoffrey Thompson
Michael Thompson
Nathan Tracy
David Tremblay
Mark-Rene Uchida
Dmitri Varsanofiev
George Vlantis
Robert Voss
Lisa Ward
Keith Waters
Karl Weber
Matthias Wendt
Scott Willy
Ludwig Winkel
James Withey
Peter Wu
Dayin Xu
Lennart Yseboodt
Oren Yuen
Zhen Zhou
Dirk Ziegelmeier
Martin Zielinski
George Zimmerman
Pavel Zivny

When the IEEE SA Standards Board approved this amendment on 7 November 2019, it had the following membership:

Gary Hoffman, *Chair*

Ted Burse, *Vice Chair*

Jean-Philippe Faure, *Past Chair*

Konstantinos Karachalios, *Secretary*

Masayuki Ariyoshi
Stephen D. Dukes
J. Travis Griffith
Guido Hiertz
Christel Hunter
Joseph L. Koepfinger*
Thomas Koshy
John D. Kulick

David J. Law
Joseph Levy
Howard Li
Xiaohui Liu
Kevin Lu
Daleep Mohla
Andrew Myles

Annette Reilly
Dorothy Stanley
Sha Wei
Phil Wennblom
Philip Winston
Howard Wolfman
Feng Wu
Jingyi Zhou

*Member Emeritus

Introduction

This introduction is not part of IEEE Std 802.3cg-2019, IEEE Standard for Ethernet—Amendment 5: Physical Layer Specifications and Management Parameters for 10 Mb/s Operation and Associated Power Delivery over a Single Balanced Pair of Conductors.

IEEE Std 802.3™ was first published in 1985. Since the initial publication, many projects have added functionality or provided maintenance updates to the specifications and text included in the standard. Each IEEE 802.3 project/amendment is identified with a suffix (e.g., IEEE Std 802.3ba™-2010).

The half duplex Media Access Control (MAC) protocol specified in IEEE Std 802.3-1985 is Carrier Sense Multiple Access with Collision Detection (CSMA/CD). This MAC protocol was key to the experimental Ethernet developed at Xerox Palo Alto Research Center, which had a 2.94 Mb/s data rate. Ethernet at 10 Mb/s was jointly released as a public specification by Digital Equipment Corporation (DEC), Intel and Xerox in 1980. Ethernet at 10 Mb/s was approved as an IEEE standard by the IEEE Standards Board in 1983 and subsequently published in 1985 as IEEE Std 802.3-1985. Since 1985, new media options, new speeds of operation, and new capabilities have been added to IEEE Std 802.3. A full duplex MAC protocol was added in 1997.

Some of the major additions to IEEE Std 802.3 are identified in the marketplace with their project number. This is most common for projects adding higher speeds of operation or new protocols. For example, IEEE Std 802.3u™ added 100 Mb/s operation (also called Fast Ethernet), IEEE Std 802.3z added 1000 Mb/s operation (also called Gigabit Ethernet), IEEE Std 802.3ae added 10 Gb/s operation (also called 10 Gigabit Ethernet), IEEE Std 802.3ah™ specified access network Ethernet (also called Ethernet in the First Mile) and IEEE Std 802.3ba added 40 Gb/s operation (also called 40 Gigabit Ethernet) and 100 Gb/s operation (also called 100 Gigabit Ethernet). These major additions are all now included in and are superseded by IEEE Std 802.3-2018 and are not maintained as separate documents.

At the date of publication for IEEE Std 802.3cg-2019, IEEE Std 802.3 was composed of the following documents:

IEEE Std 802.3-2018

Section One—Includes Clause 1 through Clause 20 and Annex A through Annex H and Annex 4A. Section One includes the specifications for 10 Mb/s operation and the MAC, frame formats and service interfaces used for all speeds of operation.

Section Two—Includes Clause 21 through Clause 33 and Annex 22A through Annex 33E. Section Two includes management attributes for multiple protocols and speed of operation as well as specifications for providing power over twisted pair cabling for multiple operational speeds. It also includes general information on 100 Mb/s operation as well as most of the 100 Mb/s Physical Layer specifications.

Section Three—Includes Clause 34 through Clause 43 and Annex 36A through Annex 43C. Section Three includes general information on 1000 Mb/s operation as well as most of the 1000 Mb/s Physical Layer specifications.

Section Four—Includes Clause 44 through Clause 55 and Annex 44A through Annex 55B. Section Four includes general information on 10 Gb/s operation as well as most of the 10 Gb/s Physical Layer specifications.

Section Five—Includes Clause 56 through Clause 77 and Annex 57A through Annex 76A. Clause 56 through Clause 67 and Clause 75 through Clause 77, as well as associated annexes, specify subscriber

access and other Physical Layers and sublayers for operation from 512 kb/s to 10 Gb/s, and defines services and protocol elements that enable the exchange of IEEE Std 802.3 format frames between stations in a subscriber access network. Clause 68 specifies a 10 Gb/s Physical Layer specification. Clause 69 through Clause 74 and associated annexes specify Ethernet operation over electrical backplanes at speeds of 1000 Mb/s and 10 Gb/s.

Section Six—Includes Clause 78 through Clause 95 and Annex 83A through Annex 93C. Clause 78 specifies Energy-Efficient Ethernet. Clause 79 specifies IEEE 802.3 Organizationally Specific Link Layer Discovery Protocol (LLDP) type, length, and value (TLV) information elements. Clause 80 through Clause 95 and associated annexes include general information on 40 Gb/s and 100 Gb/s operation as well the 40 Gb/s and 100 Gb/s Physical Layer specifications. Clause 90 specifies Ethernet support for time synchronization protocols.

Section Seven—Includes Clause 96 through Clause 115 and Annex 97A through Annex 115A. Clause 96 through Clause 98, Clause 104, and associated annexes, specify Physical Layers and optional features for 100 Mb/s and 1000 Mb/s operation over a single twisted pair. Clause 100 through Clause 103, as well as associated annexes, specify Physical Layers for the operation of the EPON protocol over coaxial distribution networks. Clause 105 through Clause 114 and associated annexes include general information on 25 Gb/s operation as well as 25 Gb/s Physical Layer specifications. Clause 99 specifies a MAC merge sublayer for the interspersing of express traffic. Clause 115 and its associated annex specify a Physical Layer for 1000 Mb/s operation over plastic optical fiber.

Section Eight—Includes Clause 116 through Clause 126 and Annex 119A through Annex 120E. Clause 116 through Clause 124 and associated annexes include general information on 200 Gb/s and 400 Gb/s operation as well the 200 Gb/s and 400 Gb/s Physical Layer specifications. Clause 125 and Clause 126 include general information on 2.5 Gb/s and 5 Gb/s operation as well as 2.5 Gb/s and 5 Gb/s Physical Layer specifications.

IEEE Std 802.3cb™-2018

Amendment 1—This amendment includes changes to IEEE Std 802.3-2018 and its amendments and adds Clause 127 through Clause 130, Annex 127A, Annex 128A, Annex 128B, and Annex 130A. This amendment adds new Physical Layers for operation at 2.5 Gb/s and 5 Gb/s over electrical backplanes.

IEEE Std 802.3bt™-2018

Amendment 2—This amendment includes changes to IEEE Std 802.3-2018 and its amendments and adds Clause 145, Annex 145A, Annex 145B, and Annex 145C. This amendment adds power delivery using all four pairs in the structured wiring plant, resulting in greater power being available to end devices. This amendment also allows for lower standby power consumption in end devices and adds a mechanism to better manage the available power budget.

IEEE Std 802.3cd™-2018

Amendment 3—This amendment includes changes to IEEE Std 802.3-2018 and its amendments and adds Clause 131 through Clause 140 and Annex 135A through Annex 136D. This amendment adds MAC parameters, Physical Layers, and management parameters for the transfer of IEEE 802.3 format frames at 50 Gb/s, 100 Gb/s, and 200 Gb/s.

IEEE Std 802.3cn™-2019

Amendment 4—This amendment includes changes to IEEE Std 802.3-2018 and its amendments and adds 50 Gb/s, 200 Gb/s, and 400 Gb/s Physical Layer specifications and management parameters for operation over single-mode fiber with reaches of at least 40 km.

IEEE Std 802.3cg™-2019

Amendment 5—This amendment includes changes to IEEE Std 802.3-2018 and its amendments and adds Clause 146 through Clause 148 and Annex 146A and Annex 146B. This amendment adds 10 Mb/s Physical Layer specifications and management parameters for operation on a single balanced pair of conductors.

Two companion documents exist, IEEE Std 802.3.1 and IEEE Std 802.3.2. IEEE Std 802.3.1 describes Ethernet management information base (MIB) modules for use with the Simple Network Management Protocol (SNMP). IEEE Std 802.3.2 describes YANG data models for Ethernet. IEEE Std 802.3.1 and IEEE Std 802.3.2 are updated to add management capability for enhancements to IEEE Std 802.3 after approval of those enhancements.

IEEE Std 802.3 will continue to evolve. New Ethernet capabilities are anticipated to be added within the next few years as amendments to this standard.

STANDARDSISO.COM : Click to view the full PDF of ISO/IEC/IEEE 8802-3:2021/Amd 5:2021

Contents

1.	Introduction.....	26
1.1	Overview.....	26
1.1.3	Architectural perspectives.....	26
1.3	Normative references.....	26
1.4	Definitions.....	27
1.5	Abbreviations.....	29
9.	Repeater unit for 10 Mb/s baseband networks.....	30
9.1	Overview.....	30
22.	Reconciliation Sublayer (RS) and Media Independent Interface (MII).....	31
22.1	Overview.....	31
22.2	Functional specifications.....	31
22.2.2	MII signal functional specifications.....	31
22.2.2.4	TXD (transmit data).....	31
22.2.2.5	TX_ER (transmit coding error).....	32
22.2.2.8	RXD (receive data).....	32
22.8	Protocol implementation conformance statement (PICS) proforma for Clause 22, Reconciliation Sublayer (RS) and Media Independent Interface (MII).....	33
22.8.2	Identification.....	33
22.8.2.3	Major capabilities/options.....	33
22.8.3	PICS proforma tables for reconciliation sublayer and media independent interface.....	33
22.8.3.2	MII signal functional specifications.....	33
30.	Management.....	34
30.2	Managed objects.....	34
30.2.2	Overview of managed objects.....	34
30.2.2.1	Text description of managed objects.....	34
30.2.3	Containment.....	35
30.2.5	Capabilities.....	36
30.3	Layer management for DTEs.....	36
30.3.2	PHY device managed object class.....	36
30.3.2.1	PHY device attributes.....	36
30.3.2.1.2	aPhyType.....	36
30.3.2.1.3	aPhyTypeList.....	37
30.5	Layer management for medium attachment units (MAUs).....	37
30.5.1	MAU managed object class.....	37
30.5.1.1	MAU attributes.....	37
30.5.1.1.2	aMAUType.....	37
30.5.1.1.4	aMediaAvailable.....	37
30.6	Management for link Auto-Negotiation.....	37
30.6.1	Auto-Negotiation managed object class.....	37
30.6.1.1	Auto-Negotiation attributes.....	37
30.6.1.1.5	aAutoNegLocalTechnologyAbility.....	37
30.15	Layer management for Power over Data Lines (PoDL) of Single Balanced Twisted-Pair Ethernet.....	38
30.15.1	PoDL PSE managed object class.....	38

30.15.1.1	PoDL PSE attributes	38
30.15.1.1.4	aPoDLPSEType	38
30.15.1.1.5	aPoDLPSEDetectedPDType	38
30.15.1.1.6	aPoDLPSEDetectedPDPowerClass	38
30.16	Management for PLCA Reconciliation Sublayer	39
30.16.1	PLCA managed object class	39
30.16.1.1	PLCA attributes	39
30.16.1.1.1	aPLCAAdminState	39
30.16.1.1.2	aPLCAStatus	39
30.16.1.1.3	aPLCANodeCount	39
30.16.1.1.4	aPLCALocalNodeID	40
30.16.1.1.5	aPLCATransmitOpportunityTimer	40
30.16.1.1.6	aPLCAMaxBurstCount	40
30.16.1.1.7	aPLCABurstTimer	40
30.16.1.2	PLCA device actions	40
30.16.1.2.1	acPLCAAdminControl	40
30.16.1.2.2	acPLCAReset	41
45.	Management Data Input/Output (MDIO) Interface	42
45.2	MDIO Interface Registers	42
45.2.1	PMA/PMD registers	42
45.2.1.7	PMA/PMD status 2 register (Register 1.8)	42
45.2.1.7.4	Transmit fault (1.8.11)	42
45.2.1.7.5	Receive fault (1.8.10)	42
45.2.1.16	BASE-T1 PMA/PMD extended ability register (1.18)	43
45.2.1.185	BASE-T1 PMA/PMD control register (Register 1.2100)	43
45.2.1.185.2	Type selection (1.2100.3:0)	43
45.2.1.186a	10BASE-T1L PMA control register (Register 1.2294)	44
45.2.1.186a.1	PMA reset (1.2294.15)	44
45.2.1.186a.2	Transmit disable (1.2294.14)	45
45.2.1.186a.3	Transmit voltage amplitude control (1.2294.12)	45
45.2.1.186a.4	Low-power (1.2294.11)	45
45.2.1.186a.5	EEE enable (1.2294.10)	45
45.2.1.186a.6	Loopback (1.2294.0)	45
45.2.1.186b	10BASE-T1L PMA status register (Register 1.2295)	45
45.2.1.186b.1	Loopback ability (1.2295.13)	46
45.2.1.186b.2	2.4 Vpp operating mode ability (1.2295.12)	46
45.2.1.186b.3	Low-power ability (1.2295.11)	46
45.2.1.186b.4	EEE ability (1.2295.10)	47
45.2.1.186b.5	Receive fault ability (1.2295.9)	47
45.2.1.186b.6	Receive polarity (1.2295.2)	47
45.2.1.186b.7	Receive fault (1.2295.1)	47
45.2.1.186b.8	Receive link status (1.2295.0)	47
45.2.1.186c	10BASE-T1L test mode control register (Register 1.2296)	47
45.2.1.186c.1	Test mode control (1.2296.15:13)	48
45.2.1.186d	10BASE-T1S PMA control register (Register 1.2297)	48
45.2.1.186d.1	PMA reset (1.2297.15)	48
45.2.1.186d.2	Transmit disable (1.2297.14)	49
45.2.1.186d.3	Low-power (1.2297.11)	49
45.2.1.186d.4	Multidrop mode (1.2297.10)	49
45.2.1.186d.5	Loopback (1.2297.0)	49
45.2.1.186e	10BASE-T1S PMA status register (Register 1.2298)	49
45.2.1.186e.1	10BASE-T1S loopback ability (1.2298.13)	50

45.2.1.186e.2	Low-power ability (1.2298.11).....	50
45.2.1.186e.3	Multidrop ability (1.2298.10)	50
45.2.1.186e.4	Receive fault ability (1.2298.9)	50
45.2.1.186e.5	Receive fault (1.2298.1).....	51
45.2.1.186f	10BASE-T1S test mode control register (Register 1.2299)	51
45.2.1.186f.1	Test mode control (1.2299.15:13).....	51
45.2.3	PCS registers.....	51
45.2.3.68a	10BASE-T1L PCS control register (Register 3.2278)	52
45.2.3.68a.1	PCS reset (3.2278.15)	52
45.2.3.68a.2	Loopback (3.2278.14).....	53
45.2.3.68b	10BASE-T1L PCS status register (Register 3.2279).....	53
45.2.3.68b.1	Tx LPI received (3.2279.11).....	54
45.2.3.68b.2	Rx LPI received (3.2279.10).....	54
45.2.3.68b.3	Tx LPI indication (3.2279.9)	54
45.2.3.68b.4	Rx LPI indication (3.2279.8)	54
45.2.3.68b.5	Fault (3.2279.7).....	54
45.2.3.68b.6	PCS receive link status (3.2279.2).....	54
45.2.3.68c	10BASE-T1S PCS control register (Register 3.2291).....	54
45.2.3.68c.1	PCS reset (3.2291.15)	55
45.2.3.68c.2	Loopback (3.2291.14).....	55
45.2.3.68c.3	Duplex mode (3.2291.8)	55
45.2.3.68d	10BASE-T1S PCS status register (Register 3.2292).....	56
45.2.3.68d.1	Fault (3.2292.7).....	56
45.2.3.68e	10BASE-T1S PCS diagnostic 1 (Register 3.2293)	56
45.2.3.68e.1	Remote jabber count (3.2293.15:0)	56
45.2.3.68f	10BASE-T1S PCS diagnostic 2 (Register 3.2294)	57
45.2.3.68f.1	CorruptedTxCnt (3.2294.15:0)	57
45.2.7	Auto-Negotiation registers.....	57
45.2.7.25	10BASE-T1 AN control register (Register 7.526)	57
45.2.7.25.1	10BASE-T1L capability advertisement (7.526.15)	58
45.2.7.25.2	10BASE-T1L EEE ability advertisement (7.526.14)	58
45.2.7.25.3	10BASE-T1L increased transmit/receive level ability advertisement (7.526.13)	58
45.2.7.25.4	10BASE-T1L increased transmit level request (7.526.12)....	59
45.2.7.25.5	10BASE-T1S full duplex ability advertisement (7.526.7)	59
45.2.7.25.6	10BASE-T1S half duplex capability advertisement (7.526.6).....	59
45.2.7.26	10BASE-T1 AN status register (Register 7.527)	59
45.2.9	Power Unit Registers	60
45.2.9.1	PoDL PSE Control register (Register 13.0).....	60
45.2.9.2	PoDL PSE Status 1 register (Register 13.1)	61
45.2.9.2.7	PSE Type (13.1.9:7).....	61
45.2.9.2.8	PD Class (13.1.6:3)	61
45.2.9.3	PoDL PSE Status 2 register (Register 13.2)	62
45.2.9.3.1a	PD Extended Class (13.2.10:9).....	62
45.2.9.3.2	PD Type (13.2.2:0)	62
45.2.9.4	PoDL PSE Status 3 register (Register 13.3)	63
45.2.9.4.1	PD Assigned Power (13.3.11:0)	63
45.2.9.5	PoDL PSE Status 4 register (Register 13.4)	63
45.2.9.5.1	PD Requested Power (13.4.11:0).....	63
45.5	Protocol implementation conformance statement (PICS) proforma for Clause 45, Management Data Input/Output (MDIO) interface	64
45.5.3	PICS proforma tables for the Management Data Input Output (MDIO) interface....	64
45.5.3.3	PMA/PMD management functions	64

45.5.3.7	PCS management functions.....	68
45.5.3.9	Auto-Negotiation management functions.....	70
78.	Energy-Efficient Ethernet (EEE).....	71
78.1	Overview.....	71
78.1.4	PHY types optionally supporting EEE	71
78.2	LPI mode timing parameters description.....	71
78.5	Communication link access latency.....	71
98.	Auto-Negotiation for single differential-pair media.....	72
98.2	Functional specifications	72
98.2.1	Transmit function requirements.....	72
98.2.1.1	DME transmission	72
98.2.1.1.1	DME page encoding	72
98.2.1.1.2	DME page timing.....	72
98.2.1.1.3	DME page Delimiters	73
98.5	Detailed functions and state diagrams	74
98.5.1	State diagram variables.....	74
98.5.2	State diagram timers	74
98.5.5	State diagrams.....	77
98.5.6	High-speed and low-speed Auto-Negotiation modes	81
98.5.6.1	Variables.....	81
98.5.6.2	Functions	82
98.5.6.3	Timers.....	82
98.6	Protocol implementation conformance statement (PICS) proforma for Clause 98, Auto-Negotiation for Single Differential-Pair Media.....	83
98.6.2a	Major capabilities/options.....	83
98.6.3	General.....	83
98.6.4	DME transmission	83
98.6.8	State diagram and variable definitions.....	84
98.6.9	High-speed and low-speed Auto-Negotiation modes	85
104.	Power over Data Lines (PoDL) of Single Balanced Twisted-Pair Ethernet.....	86
104.1	Overview.....	86
104.1.3	PoDL system types	86
104.2	Link segment.....	86
104.3	Class power requirements.....	87
104.4	Power Sourcing Equipment (PSE).....	87
104.4.1	PSE types	87
104.4.1a	PI pin assignments	87
104.4.3	PSE state diagram	88
104.4.3.3	Variables.....	88
104.4.3.5	Functions	89
104.4.4	PSE detection of a PD.....	89
104.4.4.1	Detection probe requirements.....	89
104.4.6	PSE output requirements	90
104.4.6.3	Power feeding ripple and transients.....	91
104.5	Powered Device (PD)	91
104.5.1	PD types.....	91
104.5.1a	PD PI.....	92
104.5.3	PD state diagram.....	92

104.5.3.5	Functions	92
104.5.6	PD power	93
104.5.6.4	PD ripple and transients.....	94
104.6	Additional electrical specifications.....	94
104.6.2	Fault tolerance.....	94
104.7	Serial communication classification protocol (SCCP)	95
104.7.1	SCCP signaling.....	95
104.7.1.1	Initialization procedure—reset and presence pulses	95
104.7.1.2	Write time slots.....	95
104.7.1.3	Read time slots.....	96
104.7.1.4	Calculations for cable resistance	99
104.7.1.5	Calculations for power allocation.....	99
104.7.2	Serial communication classification protocols	100
104.7.2.4	Read_Scratchpad function command [0xAA].....	101
104.7.2.5	CRC8 field.....	101
104.7.2.6	Read_VOLT_INFO command [0xBB]	102
104.7.2.7	Read_POWER_INFO command [0x77]	103
104.7.2.8	Write_POWER_ASSIGN command [0x99]	103
104.7.2.9	Read_POWER_ASSIGN command [0x81].....	103
104.9	Protocol implementation conformance statement (PICS) proforma for Clause 104, Power over Data Lines (PoDL) of Single Balanced Twisted-Pair Ethernet.....	104
104.9.1	Introduction.....	104
104.9.2	Identification	104
104.9.2.2	Protocol summary.....	104
104.9.3	Major capabilities/options.....	105
104.9.4	PICS proforma tables for Clause 104, Power over Data Lines (PoDL) of Single Balanced Twisted-Pair Ethernet	105
104.9.4.1	Link Segment.....	105
104.9.4.2	Power Sourcing Equipment (PSE)	106
104.9.4.3	Powered Device (PD).....	106
104.9.4.7	SCCP	106
146.	Physical Coding Sublayer (PCS), Physical Medium Attachment (PMA) sublayer and baseband medium, type 10BASE-T1L	108
146.1	Overview.....	108
146.1.1	Relationship of 10BASE-T1L to other standards	108
146.1.2	Operation of 10BASE-T1L.....	108
146.1.2.1	Physical Coding Sublayer (PCS).....	109
146.1.2.2	Physical Medium Attachment (PMA) sublayer.....	110
146.1.2.3	EEE capability	110
146.1.2.4	Signaling.....	110
146.1.3	Conventions in this clause	111
146.1.3.1	State diagram notation	111
146.1.3.2	State diagram timer specifications.....	111
146.1.3.3	Service specifications	111
146.2	Service primitives and interfaces.....	111
146.2.1	PMA_LINK.request.....	112
146.2.1.1	Semantics of the primitive.....	112
146.2.1.2	When generated	113
146.2.1.3	Effect of receipt	113
146.2.2	PMA_LINK.indication	113
146.2.2.1	Semantics of the primitive	113
146.2.2.2	When generated	113

146.2.2.3	Effect of receipt	113
146.2.3	PMA_TXMODE.indication.....	113
146.2.3.1	Semantics of the primitive	113
146.2.3.2	When generated	114
146.2.3.3	Effect of receipt	114
146.2.4	PMA_UNITDATA.indication	114
146.2.4.1	Semantics of the primitive	114
146.2.4.2	When generated	114
146.2.4.3	Effect of receipt	114
146.2.5	PMA_UNITDATA.request.....	114
146.2.5.1	Semantics of the primitive	114
146.2.5.2	When generated	114
146.2.5.3	Effect of receipt	114
146.2.6	PMA_RXSTATUS.indication	115
146.2.6.1	Semantics of the primitive	115
146.2.6.2	When generated	115
146.2.6.3	Effect of receipt	115
146.2.7	PMA_REMRXSTATUS.request.....	115
146.2.7.1	Semantics of the primitive	115
146.2.7.2	When generated	115
146.2.7.3	Effect of receipt	115
146.2.8	PMA_SCRSTATUS.request.....	116
146.2.8.1	Semantics of the primitive	116
146.2.8.2	When generated	116
146.2.8.3	Effect of receipt	116
146.2.9	PMA_TXEN.request (tx_enable_mj).....	116
146.2.9.1	Semantics of the primitive	116
146.2.9.2	When generated	116
146.2.9.3	Effect of receipt	116
146.2.10	PMA_RX_LPI_STATUS.request (rx_lpi_active).....	117
146.2.10.1	Semantics of the primitive	117
146.2.10.2	When generated	117
146.2.10.3	Effect of receipt	117
146.2.11	PMA_TX_LPI_STATUS.request (tx_lpi_active)	117
146.2.11.1	Semantics of the primitive	117
146.2.11.2	When generated	117
146.2.11.3	Effect of receipt	117
146.2.12	PMA_TX_LPI_STATUS.indication	118
146.2.12.1	Semantics of the primitive	118
146.2.12.2	When generated	118
146.2.12.3	Effect of receipt	118
146.3	Physical Coding Sublayer (PCS) functions	118
146.3.1	PCS Reset function	118
146.3.2	PCS Data Transmission Enable	120
146.3.2.1	Variables	120
146.3.3	PCS Transmit.....	121
146.3.3.1	PCS Transmit state diagram	121
146.3.3.1.1	Variables	122
146.3.3.1.2	Functions.....	123
146.3.3.1.3	Timers	124
146.3.3.1.4	Abbreviations.....	124
146.3.3.1.5	Constants.....	124
146.3.3.1.6	State diagram	125
146.3.3.2	PCS Transmit multiplexer state diagram.....	126

	146.3.3.2.1	Variables	126
	146.3.3.2.2	Timers	126
	146.3.3.2.3	Abbreviations	126
	146.3.3.2.4	State diagram	127
146.3.3.3		PCS Transmit symbol generation	127
146.3.3.4		Data and idle stream scrambling	128
	146.3.3.4.1	Side-stream scrambler polynomial	128
	146.3.3.4.2	Generation of Syn[3:0]	128
	146.3.3.4.3	Generation of scrambled bits Sdn[3:0]	129
146.3.3.5		Generation of code-groups	129
	146.3.3.5.1	Generation of code-groups in mode SEND_N and SEND_I	129
	146.3.3.5.2	Generation of code-groups in mode SEND_Z	131
146.3.4		PCS Receive	131
	146.3.4.1	PCS Receive overview	131
	146.3.4.1.1	Variables	132
	146.3.4.1.2	Functions	133
	146.3.4.1.3	Timers	134
	146.3.4.1.4	Constants	134
	146.3.4.1.5	State diagrams	134
	146.3.4.2	PCS Receive symbol decoding	137
	146.3.4.3	PCS Receive descrambler polynomial	138
	146.3.4.4	PCS Receive automatic polarity detection	138
146.3.5		PCS loopback	138
146.4		Physical Medium Attachment (PMA) sublayer	138
	146.4.1	PMA Reset function	140
	146.4.2	PMA Transmit function	140
	146.4.3	PMA Receive function	140
	146.4.4	PHY Control function	141
	146.4.4.1	Variables	142
	146.4.4.2	Timers	143
	146.4.4.3	State diagram	145
	146.4.5	Link Monitor function	148
	146.4.5.1	Variables	148
	146.4.5.2	State diagram	148
	146.4.6	PMA clock recovery	148
	146.4.7	LPI quiet-refresh cycling	148
	146.4.7.1	Variables	149
	146.4.7.2	Timers	149
	146.4.7.3	State diagram	150
146.5		PMA electrical specifications	151
	146.5.1	EMC tests	151
	146.5.1.1	Immunity—DPI test	151
	146.5.1.2	Emission—Conducted emission test	151
	146.5.2	Test modes	151
	146.5.3	Test fixture	152
	146.5.4	Transmitter electrical specifications	152
	146.5.4.1	Transmitter output voltage	152
	146.5.4.2	Transmitter output droop	153
	146.5.4.3	Transmitter timing jitter	153
	146.5.4.4	Transmitter Power Spectral Density (PSD) and power level	153
	146.5.4.5	Transmit clock frequency	155
	146.5.5	Receiver electrical specifications	155
	146.5.5.1	Receiver differential input signals	155

146.5.5.2	Receiver frequency tolerance	155
146.5.5.3	Alien crosstalk noise rejection.....	155
146.5.6	PMA local loopback	156
146.6	Management interface.....	156
146.6.1	Support for Auto-Negotiation.....	156
146.6.2	MASTER-SLAVE configuration	156
146.6.3	PHY initialization	157
146.6.4	Increased transmit level configuration.....	157
146.6.5	EEE configuration.....	157
146.6.6	PMA and PCS MDIO function mapping.....	157
146.7	Link segment characteristics.....	158
146.7.1	Link transmission parameters for 10BASE-T1L	158
146.7.1.1	Insertion loss.....	159
146.7.1.1.1	Insertion loss for PHYs in the 2.4 Vpp operation mode.....	159
146.7.1.1.2	Insertion loss supported for PHYs in 1.0 Vpp operation mode.....	160
146.7.1.2	Return loss	160
146.7.1.3	Maximum link delay.....	161
146.7.1.4	Differential to common mode conversion	161
146.7.1.5	Coupling attenuation.....	161
146.7.1.6	Electromagnetic classifications	162
146.7.2	Coupling parameters between 10BASE-T1L link segments.....	162
146.7.2.1	Multiple disturber power sum alien near-end crosstalk (PSANEXT) loss.....	162
146.7.2.2	Multiple disturber power sum alien far-end crosstalk (PSAFEXT) loss.....	163
146.8	MDI specification	163
146.8.1	MDI connectors	163
146.8.2	MDI electrical specification.....	166
146.8.3	MDI return loss.....	166
146.8.4	MDI mode conversion loss.....	166
146.8.5	MDI DC power voltage tolerance.....	166
146.8.6	MDI fault tolerance.....	166
146.9	Environmental specifications.....	167
146.9.1	General safety	167
146.9.2	Network safety.....	167
146.9.2.1	Environmental safety.....	167
146.9.2.2	Electromagnetic compatibility.....	168
146.10	Delay constraints.....	168
146.11	Protocol implementation conformance statement (PICS) proforma for Clause 146, Physical Coding Sublayer (PCS), Physical Medium Attachment (PMA) sublayer and baseband medium, type 10BASE-T1L	169
146.11.1	Introduction.....	169
146.11.2	Identification.....	169
146.11.2.1	Implementation identification.....	169
146.11.2.2	Protocol summary.....	169
146.11.3	Major capabilities/options.....	170
146.11.4	PICS proforma tables for Physical Coding Sublayer (PCS), Physical Medium Attachment (PMA) sublayer and baseband medium, type 10BASE-T1L.....	170
146.11.4.1	Physical Coding Sublayer (PCS).....	170
146.11.4.1.1	PCS Transmit.....	170
146.11.4.1.2	PCS Receive	171
146.11.4.1.3	PCS loopback.....	172
146.11.4.2	Physical Medium Attachment (PMA).....	172
146.11.4.2.1	PMA function	172

146.11.4.2.2	PMA electrical specification.....	173
146.11.4.3	Management interface	175
146.11.4.4	Link Segment characteristics.....	176
146.11.4.5	MDI specifications	176
146.11.4.6	Environmental specifications	177
146.11.4.7	Delay constraints	177
147.	Physical Coding Sublayer (PCS), Physical Medium Attachment (PMA) sublayer and baseband medium, type 10BASE-T1S	178
147.1	Overview.....	178
147.1.1	Relationship of 10BASE-T1S to other standards	178
147.1.2	Operation of 10BASE-T1S.....	178
147.1.3	Conventions in this clause	179
147.1.3.1	State diagram notation	179
147.1.3.2	State diagram timer specifications.....	179
147.1.3.3	Service specifications	180
147.2	Service primitives and interfaces.....	180
147.2.1	PMA_UNITDATA.indication	181
147.2.1.1	Semantics of the primitive	181
147.2.1.2	When generated	181
147.2.1.3	Effect of receipt	181
147.2.2	PMA_UNITDATA.request.....	181
147.2.2.1	Semantics of the primitive	181
147.2.2.2	When generated	181
147.2.2.3	Effect of receipt	181
147.2.3	Mapping of PMA_CARRIER.indication.....	182
147.2.3.1	Function	182
147.2.3.2	Semantic of the service primitive	182
147.2.3.3	When generated	182
147.2.4	PMA_LINK.request.....	182
147.2.4.1	Semantics of the primitive.....	182
147.2.4.2	When generated	182
147.2.5	PMA_LINK.indication	182
147.2.5.1	Semantics of the primitive	182
147.2.5.2	When generated	183
147.2.5.3	Effect of receipt	183
147.2.6	PCS_STATUS.indication	183
147.2.6.1	Semantics of the primitive	183
147.2.6.2	When generated	183
147.2.6.3	Effect of receipt	183
147.3	Physical Coding Sublayer (PCS) functions	183
147.3.1	PCS Reset function	183
147.3.2	PCS Transmit.....	184
147.3.2.1	PCS Transmit overview.....	184
147.3.2.2	Variables	185
147.3.2.3	Constants	186
147.3.2.4	Functions	187
147.3.2.5	Abbreviations.....	188
147.3.2.6	Timers	188
147.3.2.7	State diagram	189
147.3.2.8	Self-synchronizing scrambler	190
147.3.2.9	Jabber functional requirements.....	191

147.3.3	PCS Receive	191
147.3.3.1	PCS Receive overview	191
147.3.3.2	Variables	192
147.3.3.3	Constants	192
147.3.3.4	Functions	193
147.3.3.5	Abbreviations.....	193
147.3.3.6	Timers.....	193
147.3.3.7	State diagrams.....	194
147.3.3.8	Self-synchronizing descrambler	196
147.3.3.9	Jabber diagnostics.....	196
147.3.4	PCS loopback.....	196
147.3.5	Collision detection	196
147.3.6	Carrier sense	197
147.3.7	Support for PCS status generation	197
147.3.7.1	Heartbeat transmit overview.....	197
147.3.7.1.1	Variables	197
147.3.7.1.2	Timers	198
147.3.7.1.3	State diagram	199
147.3.7.2	Heartbeat receive overview	200
147.3.7.2.1	Variables	200
147.3.7.2.2	Constants.....	201
147.3.7.2.3	Timers	201
147.3.7.2.4	State diagram	201
147.4	Physical Medium Attachment (PMA) sublayer.....	202
147.4.1	PMA Reset function.....	202
147.4.2	PMA Transmit function	202
147.4.3	PMA Receive function.....	203
147.4.4	Link Monitor function	204
147.4.4.1	Link Monitor overview.....	204
147.4.4.2	Variables	204
147.5	PMA electrical specifications.....	205
147.5.1	EMC tests.....	205
147.5.1.1	Immunity—DPI test	205
147.5.1.2	Emission—Conducted emission test	205
147.5.2	Test modes	205
147.5.3	Test fixtures	206
147.5.4	Transmitter electrical specification.....	207
147.5.4.1	Transmitter output voltage.....	207
147.5.4.2	Transmitter output droop.....	207
147.5.4.3	Transmitter timing jitter.....	207
147.5.4.4	Transmitter Power Spectral Density (PSD).....	208
147.5.4.4.1	Upper PSD	208
147.5.4.4.2	PSD mask.....	208
147.5.4.5	Transmitter high impedance mode	209
147.5.5	Receiver electrical specifications.....	209
147.5.5.1	Receiver differential input signals.....	209
147.5.5.2	Alien crosstalk noise rejection.....	209
147.5.6	PMA local loopback	209
147.6	Management interface.....	210
147.6.1	Support for Auto-Negotiation	210
147.7	Point-to-point link segment characteristics.....	210
147.7.1	Insertion loss	210
147.7.2	Return loss	210
147.7.3	Mode conversion loss	211

147.7.4	Power sum alien near-end crosstalk (PSANEXT).....	211
147.7.5	Power sum alien attenuation to crosstalk ratio far-end (PSAACRF)	211
147.8	Mixing segment characteristics	211
147.8.1	Insertion loss	212
147.8.2	Return loss	212
147.8.3	Mode conversion loss	212
147.9	MDI specification	212
147.9.1	MDI connectors	212
147.9.2	MDI electrical specification.....	215
147.9.3	MDI line powering voltage tolerance	215
147.9.4	MDI fault tolerance.....	215
147.10	Environmental specifications.....	216
147.10.1	General safety	216
147.10.2	Network safety.....	216
147.10.2.1	Environmental safety.....	216
147.10.2.2	Electromagnetic compatibility.....	217
147.11	Delay constraints.....	217
147.12	Protocol implementation conformance statement (PICS) proforma for Clause 147, Physical Coding Sublayer (PCS), Physical Medium Attachment (PMA) sublayer and baseband medium, type 10BASE-T1S.....	218
147.12.1	Introduction.....	218
147.12.2	Identification	218
147.12.2.1	Implementation identification.....	218
147.12.2.2	Protocol summary.....	218
147.12.3	Major capabilities/options.....	219
147.12.4	PICS proforma tables for Physical Medium Attachment (PMA) sublayer and baseband medium, type 10BASE-T1S	219
147.12.4.1	PCS Transmit.....	219
147.12.4.2	PCS Receive	220
147.12.4.3	PCS loopback	220
147.12.4.4	Collision detection	221
147.12.4.5	Support for PCS status generation.....	221
147.12.4.6	Physical Medium Attachment (PMA)	221
147.12.4.6.1	PMA function	221
147.12.4.6.2	PMA electrical specification.....	222
147.12.4.7	Point-to-point link Segment characteristics.....	224
147.12.4.8	Mixing Segment characteristics.....	224
147.12.4.9	MDI specification	225
147.12.4.10	Delay constraints	225
148.	PLCA Reconciliation Sublayer (RS)	226
148.1	Introduction.....	226
148.1.1	Conventions in this clause	226
148.1.1.1	State diagram notation	226
148.1.1.2	State diagram timer specifications.....	226
148.1.1.3	Service specifications	226
148.2	Overview.....	226
148.3	Relationship with other IEEE standards	227
148.4	PLCA Reconciliation Sublayer operation.....	228
148.4.1	General.....	228
148.4.2	Mapping of MII signals to PLS service primitives and PLCA functions	228
148.4.2.1	Mapping of PLS_DATA.request.....	228
148.4.2.1.1	Function	228

148.4.2.1.2	Semantic of the service primitive	229
148.4.2.1.3	When generated	229
148.4.2.2	Mapping of PLS_DATA.indication	229
148.4.2.3	Mapping of PLS_CARRIER.indication	229
148.4.2.3.1	Function	229
148.4.2.3.2	Semantic of the service primitive	229
148.4.2.3.3	When generated	229
148.4.2.4	Mapping of PLS_SIGNAL.indication	229
148.4.2.4.1	Function	229
148.4.2.4.2	Semantic of the service primitive	230
148.4.2.4.3	When generated	230
148.4.2.5	Mapping of PLS_DATA_VALID.indication	230
148.4.2.6	Generation of TX_ER	230
148.4.2.7	Response to RX_ER indication	230
148.4.3	Requirements for the PHY	230
148.4.3.1	PHY response to PLCA commands and notifications	230
148.4.3.1.1	BEACON request	230
148.4.3.1.2	COMMIT request	230
148.4.3.2	Mapping of MII signals to PLCA variables	231
148.4.3.2.1	BEACON indication	231
148.4.3.2.2	COMMIT indication	231
148.4.4	PLCA Control	231
148.4.4.1	PLCA Control state diagram	231
148.4.4.2	PLCA Control variables	232
148.4.4.3	Functions	234
148.4.4.4	Timers	234
148.4.4.5	Abbreviations	235
148.4.4.6	State diagram	236
148.4.5	PLCA Data	238
148.4.5.1	PLCA Data state diagram	238
148.4.5.2	Variables	239
148.4.5.3	Functions	240
148.4.5.4	Timers	240
148.4.5.5	Abbreviations	240
148.4.5.6	Constants	240
148.4.5.7	State diagram	241
148.4.6	PLCA Status	243
148.4.6.1	PLCA Status state diagram	243
148.4.6.2	PLCA Status variables	243
148.4.6.3	Functions	243
148.4.6.4	Timers	243
148.4.6.5	State diagram	244
148.5	Protocol implementation conformance statement (PICS) proforma for Clause 148, PLCA Reconciliation Sublayer (RS)	245
148.5.1	Introduction	245
148.5.2	Identification	245
148.5.2.1	Implementation identification	245
148.5.2.2	Protocol summary	245
148.5.3	PICS proforma tables for PLCA Reconciliation Sublayer (RS)	246
148.5.3.1	Reconciliation Sublayer	246
148.5.3.2	Mapping of MII signals to PLS service primitives and PLCA functions	246
148.5.3.3	Specific RS and PHY specification	247
148.5.3.4	PLCA Control	247

148.5.3.5	PLCA Data	247
148.5.3.6	PLCA Status	247
Annex A (informative) Bibliography		248
Annex 98B (normative) IEEE 802.3 Selector Base Page definition		249
98B.3	Technology Ability Field bit assignments	249
98B.3.1	10BASE-T1L-specific bit assignments	249
98B.4	Priority Resolution	249
Annex 146A (informative) Guidelines for implementation of the 10BASE-T1L PHY in an intrinsically safe application		250
Annex 146B (informative) Optional power distribution		253
146B.1	Overview	253
146B.2	Point-to-point powering topologies	253
146B.3	Powered trunk cable topologies	254

STANDARDSISO.COM : Click to view the full PDF of ISO/IEC/IEEE 8802-3:2021/Amd 5:2021

IEEE Standard for Ethernet

Amendment 5: Physical Layer Specifications and Management Parameters for 10 Mb/s Operation and Associated Power Delivery over a Single Balanced Pair of Conductors

(This amendment is based on IEEE Std 802.3™-2018 as amended by IEEE Std 802.3cb™-2018, IEEE Std 802.3bt™-2018, IEEE Std 802.3cd™-2018, and IEEE Std 802.3cn™-2019.)

NOTE—The editing instructions contained in this amendment define how to merge the material contained therein into the existing base standard and its amendments to form the comprehensive standard.

The editing instructions are shown in **bold italic**. Four editing instructions are used: change, delete, insert, and replace. **Change** is used to make corrections in existing text or tables. The editing instruction specifies the location of the change and describes what is being changed by using ~~strike through~~ (to remove old material) and underline (to add new material). **Delete** removes existing material. **Insert** adds new material without disturbing the existing material. Deletions and insertions may require renumbering. If so, renumbering instructions are given in the editing instruction. **Replace** is used to make changes in figures or equations by removing the existing figure or equation and replacing it with a new one. Editing instructions, change markings, and this NOTE will not be carried over into future editions because the changes will be incorporated into the base standard.

Cross references that refer to clauses, tables, equations, or figures not covered by this amendment are highlighted in green.¹

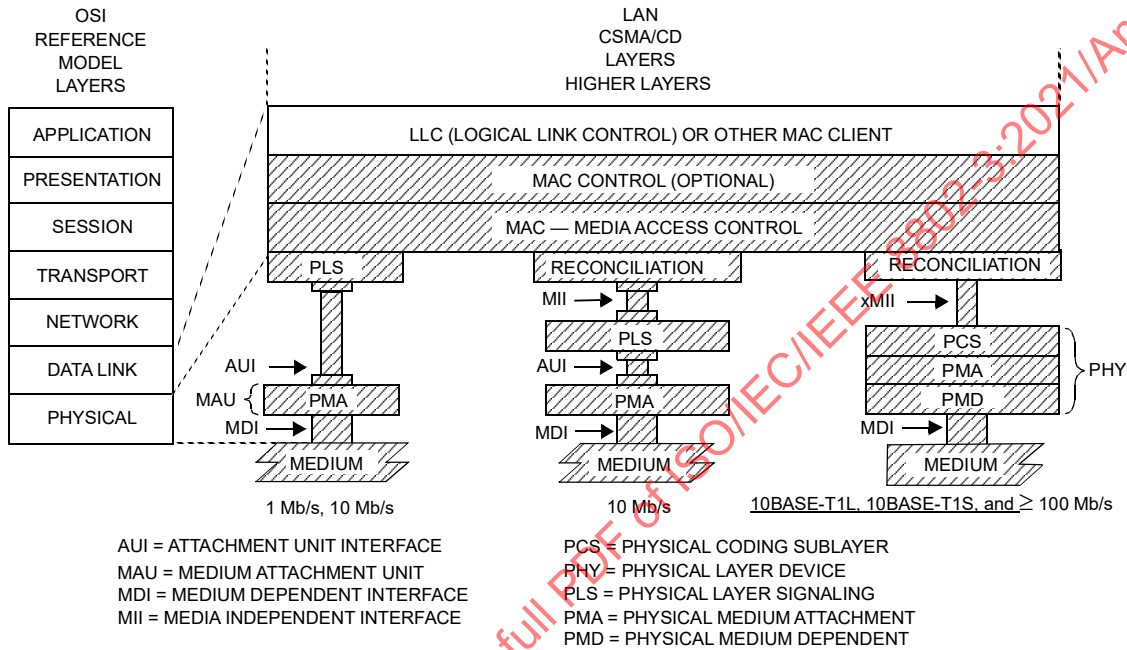
¹ Notes in text, tables, and figures are given for information only and do not contain requirements needed to implement the standard.

1. Introduction

1.1 Overview

1.1.3 Architectural perspectives

Change Figure 1-1 as follows (see changes at the bottom of the right column and in the note):



NOTE—In this figure, the xMII is used as a generic term for the Media Independent Interfaces for implementations of 10BASE-T1L, 10BASE-T1S, and 100 Mb/s and above. For example: for 100 Mb/s implementations this interface is called MII; for 1 Gb/s implementations it is called GMII; for 10 Gb/s implementations it is called XGMII; etc.

Figure 1-1—IEEE 802.3 standard relationship to the ISO/IEC Open Systems Interconnection (OSI) reference model

1.3 Normative references

Insert the following references in alphanumeric order:

IEC 60068-2-2:2007, Environmental testing—Part 2-2: Tests—Test B: Dry heat.²

IEC 60068-2-6:2007, Environmental testing—Part 2-6: Tests—Test Fc: Vibration (sinusoidal).

IEC 60068-2-14:2009, Environmental testing—Part 2-14: Tests—Test N: Change of temperature.

IEC 60068-2-31:2008, Environmental testing—Part 2-31: Tests—Test Ec: Rough handling shocks, primarily for equipment-type specimens.

²IEC publications are available from the International Electrotechnical Commission (<http://www.iec.ch/>). IEC publications are also available in the United States from the American National Standards Institute (<http://www.ansi.org>).

IEC 60079-0:2017, Explosive atmospheres—Part 0: Equipment—General requirements.

IEC 60079-11:2011, Explosive Atmospheres—Part 11: Equipment protection by intrinsic safety.

IEC 60529:2013, Degrees of Protection Provided by Enclosures (IP Code).

IEC 61000-4-4:2012, Electromagnetic compatibility (EMC)—Part 4-4: Testing and measurement techniques—Electrical fast transient/burst immunity test.

IEC 61000-4-5:2017, Electromagnetic compatibility (EMC)—Part 4-5: Testing and measurement techniques—Surge immunity test.

IEC 61000-4-6:2013, Electromagnetic compatibility (EMC)—Part 4-6: Testing and measurement techniques—Immunity to conducted disturbances, induced by radio-frequency fields.

IEC 61000-6-4:2018, Electromagnetic compatibility (EMC)—Part 6-4: Generic standards—Emission standard for industrial environments.

IEC 61010-1:2017, Safety requirements for electrical equipment for measurement, control, and laboratory use—Part 1: General requirements.

IEC 61326-1:2012, Electrical equipment for measurement, control and laboratory use—EMC requirements—Part 1: General requirements.

IEC 62368-1:2014, Audio/video, information and communication technology equipment—Part 1: Safety requirements.

ISO 4892:1982, Plastics—Methods of exposure to laboratory light.³

NAMUR NE 021:2017, Electromagnetic Compatibility of Equipment for Industrial Processes and Laboratory.⁴

1.4 Definitions

Insert the following new definitions after 1.4.50 “10BASE-T”:

1.4.50a 10BASE-T1L: IEEE 802.3 Physical Layer specification for a 10 Mb/s Ethernet local area network over a single balanced pair of conductors up to at least 1000 m reach. (See IEEE Std 802.3, Clause 146.)

1.4.50b 10BASE-T1S: IEEE 802.3 Physical Layer specification for a 10 Mb/s Ethernet local area network over a single balanced pair of conductors up to at least 15 m reach. (See IEEE Std 802.3, Clause 147.)

Change 1.4.151 as follows:

1.4.151 BASE-T1: PHYs that belong to the set of specific Ethernet PCS/PMA/PMDs that operate on a single twisted-pair copper cable, including 10BASE-T1L, 10BASE-T1S, 100BASE-T1, and 1000BASE-T1. (See IEEE Std 802.3, Clause 96, and Clause 97, Clause 146, and Clause 147.)

³ISO publications are available from the International Organization for Standardization (<http://www.iso.ch/>). ISO publications are also available in the United States from the American National Standards Institute (<http://www.ansi.org/>).

⁴NAMUR publications are available from the User Association of Automation Technology in Process Industries (<http://www.namur.net>).

Change 1.4.198 as follows:

1.4.198 code-group: For IEEE 802.3, a set of encoded symbols representing encoded data or control information. For 100BASE-T4, a set of six ternary symbols that, when representing data, conveys an octet. For 100BASE-TX and 100BASE-FX, a set of five code-bits that, when representing data, conveys a nibble. For 100BASE-T2, a pair of PAM5×5 symbols that, when representing data, conveys a nibble. For 1000BASE-X, a set of ten bits that, when representing data, conveys an octet. For 1000BASE-T, a vector of four 8B1Q4 coded quinary symbols that, when representing data, conveys an octet. For 100BASE-T1, a set of ternary symbols that, when representing data, conveys three bits, as defined in 96.3. For 10BASE-T1L, a set of three ternary symbols that, when representing data, conveys a nibble, as defined in 146.3. (See IEEE Std 802.3, [Clause 23](#), [Clause 24](#), [Clause 32](#), [Clause 36](#), [Clause 40](#), ~~and Clause 96~~, and [Clause 146](#).)

Change 1.4.319 as follows:

1.4.319 master Physical Layer (PHY): Within IEEE 802.3, in a 100BASE-T2 ~~or~~, 1000BASE-T, 10BASE-T1L, 100BASE-T1, 1000BASE-T1, or any MultiGBASE-T link containing a pair of PHYs, the PHY that uses an external clock for generating its clock signals to determine the timing of transmitter and receiver operations. It also uses the master transmit scrambler generator polynomial for side-stream scrambling. Master and slave PHY status is determined during the Auto-Negotiation process that takes place prior to establishing the transmission link, or in the case of a PHY where Auto-Negotiation is optional and not used, master and slave PHY status is determined by management or hardware configuration. See also: **slave Physical Layer (PHY).**

Insert the following new definition after 1.4.390 “physical header subframe (PHS)”:

1.4.390a Physical Layer Collision Avoidance (PLCA): A method for generating transmit opportunities for 10BASE-T1S operating on mixing segments. (See IEEE Std 802.3, [Clause 148](#).)

Change 1.4.456 as follows:

1.4.456 slave Physical Layer (PHY): Within IEEE 802.3, in a 100BASE-T2 ~~or~~, 1000BASE-T, 10BASE-T1L, 100BASE-T1, 1000BASE-T1, or any MultiGBASE-T link containing a pair of PHYs, the PHY that recovers its clock from the received signal and uses it to determine the timing of transmitter operations. It also uses the slave transmit scrambler generator polynomial for side-stream scrambling. Master and slave PHY status is determined during the Auto-Negotiation process that takes place prior to establishing the transmission link, or in the case of a PHY where Auto-Negotiation is optional and not used, master and slave PHY status is determined by management or hardware configuration. See also: **master Physical Layer (PHY).**

Change 1.4.471 as follows:

1.4.471 ternary symbol: In 10BASE-T1L, 100BASE-T4, and 100BASE-T1, a ternary data element. A ternary symbol can have one of three values: -1, 0, or +1. (See IEEE Std 802.3, [Clause 23](#) ~~and~~, [Clause 96](#), and [Clause 146](#).)

Insert the following new definition after 1.4.495 “Type D PoDL System”:

1.4.495a Type E PoDL System: A system comprising a PoDL PSE, link section, and PD that are compatible with 10BASE-T1L PHYs.

1.5 Abbreviations

Insert the following new abbreviations into the list, in alphanumeric order:

DCR	direct current resistance
FSM	Finite State Machine
PLCA	Physical Layer Collision Avoidance

STANDARDSISO.COM : Click to view the full PDF of ISO/IEC/IEEE 8802-3:2021/Amd 5:2021

9. Repeater unit for 10 Mb/s baseband networks

9.1 Overview

Change the first paragraph of 9.1 as follows:

This clause specifies a repeater for use with IEEE 802.3 10 Mb/s baseband networks, with the exceptions of 10BASE-T1L (Clause 146) and 10BASE-T1S (Clause 147). A repeater for any other IEEE 802.3 network type is beyond the scope of this clause.

STANDARDSISO.COM : Click to view the full PDF of ISO/IEC/IEEE 8802-3:2021/Amd 5:2021

22. Reconciliation Sublayer (RS) and Media Independent Interface (MII)

22.1 Overview

Change Figure 22-1 as follows (see changes at the bottom of the right column):

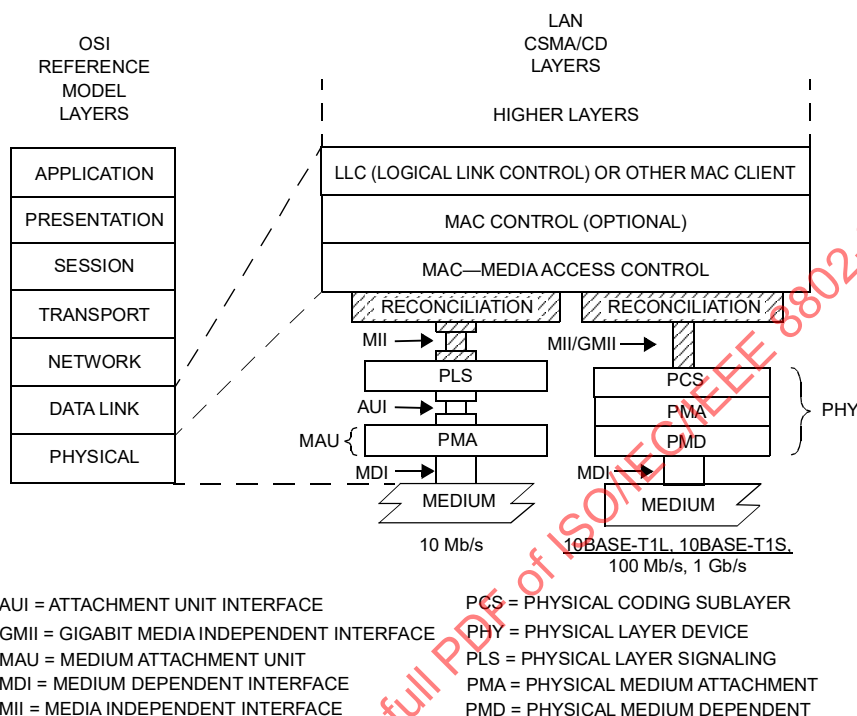


Figure 22-1—MII relationship to the ISO/IEC Open Systems Interconnection (OSI) reference model and the IEEE 802.3 CSMA/CD LAN model

22.2 Functional specifications

22.2.2 MII signal functional specifications

22.2.2.4 TXD (transmit data)

Change the second paragraph in 22.2.2.4 as follows:

For EEE capability, the RS shall use the combination of TX_EN deasserted, TX_ER asserted, and TXD<3:0> equal to 0001 as shown in Table 22-1 as a request to enter, or remain in, a low power state. Other values of TXD<3:0> with this combination of TX_EN and TX_ER shall have no effect upon the PHY.

Insert the following new paragraphs after the second paragraph in 22.2.2.4:

When PLCA capability is supported and enabled (see 30.16.1.1.1), the RS shall use the combination of TX_EN deasserted, TX_ER asserted, and TXD<3:0> equal to 0010 or 0011 as shown in Table 22-1 to send respectively a BEACON request or a COMMIT request as defined in 148.4.4.1.

When TX_EN is deasserted and TX_ER is asserted, values of TXD<3:0> other than 0001, 0010, and 0011 shall have no effect upon the PHY.

Change Table 22-1 as follows (unchanged rows not shown):

Table 22–1—Permissible encodings of TXD<3:0>, TX_EN, and TX_ER

TX_EN	TX_ER	TXD<3:0>	Indication
...			
<u>0</u>	<u>1</u>	<u>0010</u>	<u>PLCA BEACON request</u>
<u>0</u>	<u>1</u>	<u>0011</u>	<u>PLCA COMMIT request</u>
0	1	0010 <u>100</u> through 1111	Reserved
...			

22.2.2.5 TX_ER (transmit coding error)

Change the second paragraph in 22.2.2.5 as follows:

Assertion of the TX_ER signal shall not affect the transmission of data when TX_EN is deasserted. Additionally, the assertion of TX_ER signal shall not affect the transmission of data when a PHY is operating at 10 Mb/s, or when TX_EN is deasserted, with the exception of 10BASE-T1L (see 146.3.3.1) and 10BASE-T1S (see 147.3.2.1, Figure 147–4).

22.2.2.8 RXD (receive data)

Insert the following new paragraph into 22.2.2.8 after the third paragraph (“For EEE capability, the PHY....”):

When PLCA capability is supported and enabled, the PHY indicates that it is receiving a BEACON or COMMIT by asserting the RX_ER signal and driving respectively the values 0010 or 0011 onto RXD<3:0> while RX_DV is deasserted. See 148.4.4.1 for the definition and usage of PLCA BEACON and COMMIT.

Change Table 22-2 as follows (unchanged rows not shown):

Table 22–2—Permissible encoding of RXD<3:0>, RX_ER, and RX_DV

RX_DV	RX_ER	RXD<3:0>	Indication
...			
<u>0</u>	<u>1</u>	<u>0010</u>	<u>PLCA BEACON indication</u>
<u>0</u>	<u>1</u>	<u>0011</u>	<u>PLCA COMMIT indication</u>
0	1	0010 <u>100</u> through 1101	Reserved
...			

22.8 Protocol implementation conformance statement (PICS) proforma for Clause 22, Reconciliation Sublayer (RS) and Media Independent Interface (MII)⁵

22.8.2 Identification

22.8.2.3 Major capabilities/options

Insert the following new row at the end of the table in 22.8.2.3:

Item	Feature	Subclause	Status	Support	Value/Comment
*PLCA	Implementation of PLCA	22.2.2.4	O		

22.8.3 PICS proforma tables for reconciliation sublayer and media independent interface

22.8.3.2 MII signal functional specifications

Change the table in 22.8.3.2 as follows (unchanged rows not shown):

Item	Feature	Subclause	Status	Support	Value/Comment
...					
SF15	TXD<3:0> effect on PHY while TX_EN is de-asserted	22.2.2.4	M		No effect
...					
SF18	TX_ER effect on PHY while operating at 10 Mb/s (with the exception of 10BASE-T1S and 10BASE-T1L), or when TX_EN is deasserted	22.2.2.5	M		No effect on PHY
...					
SF39	<u>Effect on PHY while TXD<3:0> is 0010, and TX_EN is deasserted, and TX_ER is asserted</u>	22.2.2.4	PLCA: M		<u>RS sends BEACON request</u>
SF40	<u>Effect on PHY while TXD<3:0> is 0011, and TX_EN is deasserted, and TX_ER is asserted</u>	22.2.2.4	PLCA: M		<u>RS sends COMMIT request</u>
SF41	<u>Effect on PHY while TXD<3:0> is any value other than 0010 or 0011, and TX_EN is deasserted, and TX_ER is asserted</u>	22.2.2.4	PLCA: M		<u>No effect</u>

⁵Copyright release for PICS proformas: Users of this standard may freely reproduce the PICS proforma in this subclause so that it can be used for its intended purpose and may further publish the completed PICS.

30. Management

30.2 Managed objects

30.2.2 Overview of managed objects

30.2.2.1 Text description of managed objects

Change the description for oPHYEntity in 30.2.2.1 as follows:

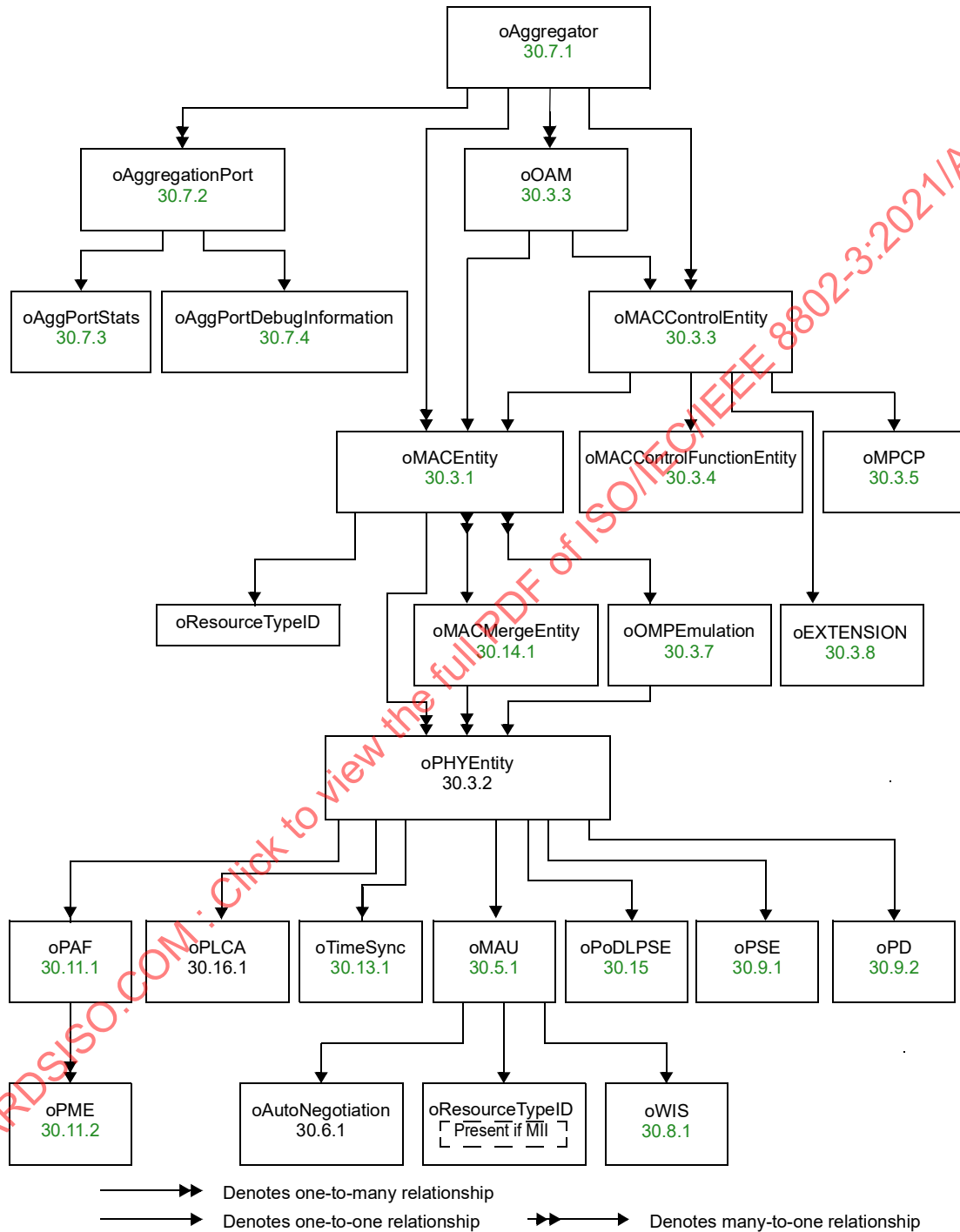
oPHYEntity If oOMPemulation is implemented, oPHYEntity is contained within oOMPemulation. If oMACMergeEntity is implemented, oPHYEntity is contained within oMACMergeEntity. Otherwise oPHYEntity is contained within oMACEntity. Many instances of oPHYEntity may coexist within one instance of oMACEntity or oMACMergeEntity; however, only one PHY may be active for data transfer to and from the MAC at any one time. oPHYEntity is the managed object that contains the MAU, PAF, PLCA, PSE, and PoDLPSE managed objects in a DTE.

Insert the following description for oPLCA into 30.2.2.1 (as amended by IEEE Std 802.3bt-2018) after the description for oPAF:

oPLCA If implemented, oPLCA is contained within oPHYEntity. The oPLCA managed object class provides the management controls necessary to allow an instance of a PLCA RS to be managed.

30.2.3 Containment

Replace Figure 30-3 with the following figure (which includes oPLCA):



NOTE—The objects oAggregator, oAggregationPort, oAggPortStats, and oAggPortDebugInformation are deprecated by IEEE Std 802.1AX™-2008.

Figure 30-3—DTE System entity relationship diagram

30.2.5 Capabilities

Change the last sentence of the first paragraph of 30.2.5 as follows:

The capabilities and packages for IEEE 802.3 Management are specified in [Table 30-1a](#) through [Table 30-10](#) and [Table 30-11](#).

Insert the following new table (Table 30-11) after Table 30-10:

Table 30-11—PLCA capabilities

				PLCA capability (optional)
oPLCA managed object class (30.16.1)				
aPLCAAdminState	ATTRIBUTE	GET		X
aPLCAStatus	ATTRIBUTE	GET		X
aPLCABurstTimer	ATTRIBUTE	GET-SET		X
aPLCALocalNodeID	ATTRIBUTE	GET-SET		X
aPLCAMaxBurstCount	ATTRIBUTE	GET-SET		X
aPLCANodeCount	ATTRIBUTE	GET-SET		X
aPLCATransmitOpportunityTimer	ATTRIBUTE	GET-SET		X
acPLCAAdminControl	ACTION			X
acPLCAReset	ACTION			X

30.3 Layer management for DTEs

30.3.2 PHY device managed object class

30.3.2.1 PHY device attributes

30.3.2.1.2 aPhyType

Insert the following new entries in the APPROPRIATE SYNTAX section of 30.3.2.1.2 after the entry for “10 Mb/s”:

- 10BASE-T1L Clause 146 10 Mb/s PAM3
- 10BASE-T1S Clause 147 10 Mb/s DME

30.3.2.1.3 aPhyTypeList

Insert the following new entries in the APPROPRIATE SYNTAX section of 30.3.2.1.3 after the entry for “10 Mb/s”:

10BASE-T1L Clause 146 10 Mb/s PAM3
 10BASE-T1S Clause 147 10 Mb/s DME

30.5 Layer management for medium attachment units (MAUs)

30.5.1 MAU managed object class

30.5.1.1 MAU attributes

30.5.1.1.2 aMAUType

Insert the following new entries in the APPROPRIATE SYNTAX section of 30.5.1.1.2 after the entry for “10BASE-FLFD”:

10BASE-T1L	Single balanced pair PHY as specified in Clause 146
10BASE-T1SHD	Single balanced pair PHY as specified in Clause 147, half duplex mode
10BASE-T1SMD	Single balanced pair PHY as specified in Clause 147, multidrop mode
10BASE-T1SFD	Single balanced pair PHY as specified in Clause 147, full duplex mode

30.5.1.1.4 aMediaAvailable

Change the fourth sentence of the third paragraph of the BEHAVIOUR DEFINED AS section of 30.5.1.1.4 as follows:

For 10BASE-T1L and 100BASE-T1, a link_status of OK maps to the enumeration “available”.

30.6 Management for link Auto-Negotiation

30.6.1 Auto-Negotiation managed object class

30.6.1.1 Auto-Negotiation attributes

30.6.1.1.5 aAutoNegLocalTechnologyAbility

Insert the following new entries in APPROPRIATE SYNTAX section of 30.6.1.1.5 after the entry for “10BASE-T”:

10BASE-T1L	10BASE-T1L as specified in Clause 146
10BASE-T1S	10BASE-T1S as specified in Clause 147

30.15 Layer management for Power over Data Lines (PoDL) of Single Balanced Twisted-Pair Ethernet

30.15.1 PoDL PSE managed object class

30.15.1.1 PoDL PSE attributes

30.15.1.1.4 aPoDLPSEType

Insert the following new entry in the APPROPRIATE SYNTAX section of 30.15.1.1.4 after the entry for “typeD”:

typeE	Type E PoDL PSE
-------	-----------------

30.15.1.1.5 aPoDLPSEDetectedPDType

Insert the following new entry in the APPROPRIATE SYNTAX section of 30.15.1.1.5 after the entry for “typeD”:

typeE	Type E PoDL PD
-------	----------------

30.15.1.1.6 aPoDLPSEDetectedPDPowerClass

Insert the following new entries in the APPROPRIATE SYNTAX section of 30.15.1.1.6 after the entry for “class 9”:

class10	Class 10 PoDL PD
class11	Class 11 PoDL PD
class12	Class 12 PoDL PD
class13	Class 13 PoDL PD
class14	Class 14 PoDL PD
class15	Class 15 PoDL PD

Change text of BEHAVIOUR DEFINED AS section of 30.15.1.1.6 as shown:

BEHAVIOUR DEFINED AS:

A read-only value that indicates the class of the detected PoDL PD as specified in [Table 104-1](#) and [Table 104-1a](#). This value is only valid while a PD is being powered, that is the attribute aPoDLPSEPowerDetectionStatus is reporting the enumeration “deliveringPower”.

If a Clause 45 MDIO Interface to the PoDL PSE function is present, then this attribute may be derived from the PD Class and PD Extended Class bits specified in [45.2.9.2.8](#) and [45.2.9.3.1a](#);

Insert the following new subclauses (30.16 through 30.16.1.2.2) after 30.15 (and its subclauses):

30.16 Management for PLCA Reconciliation Sublayer

30.16.1 PLCA managed object class

This subclause formally defines the behaviours for the oPLCA managed object class attributes and actions.

30.16.1.1 PLCA attributes

30.16.1.1.1 aPLCAAdminState

ATTRIBUTE

APPROPRIATE SYNTAX:

An ENUMERATED VALUE that has the following entries:

disabled

enabled

BEHAVIOUR DEFINED AS:

A read-only value that indicates the mode of operation of the Reconciliation Sublayer for PLCA operation. When PLCA is enabled, the Reconciliation Sublayer functions in PLCA mode, whose operation is defined by Clause 148. When PLCA functions are not supported or are disabled by the management interface (plca_en = FALSE), RS operation shall conform to the RS definition in Clause 22. By default, PLCA is disabled.;

30.16.1.1.2 aPLCAStatus

ATTRIBUTE

APPROPRIATE SYNTAX:

An ENUMERATED VALUE that has the following entries:

TRUE

FALSE

BEHAVIOUR DEFINED AS:

A read-only value that indicates whether PLCA Control state diagram is receiving BEACON indication or transmitting BEACON request. This parameter maps to the plca_status variable in 148.4.6.2.;

30.16.1.1.3 aPLCANodeCount

ATTRIBUTE

APPROPRIATE SYNTAX:

INTEGER

BEHAVIOUR DEFINED AS:

This value is assigned to define the number of nodes getting a transmit opportunity before a new BEACON is generated. Valid range is 0 to 255, inclusive. The default value is 8.;

30.16.1.1.4 aPLCALocalNodeID

ATTRIBUTE

APPROPRIATE SYNTAX:

INTEGER

BEHAVIOUR DEFINED AS:

This value is assigned to define the ID of the local node on the PLCA network. The default value is 255. Value range is 0 to 255, inclusive.;

30.16.1.1.5 aPLCATransmitOpportunityTimer

ATTRIBUTE

APPROPRIATE SYNTAX:

INTEGER

BEHAVIOUR DEFINED AS:

This value is assigned to define the time between PLCA transmit opportunities for the node. aPLCATransmitOpportunityTimer maps to the duration of the timer to timer. The value of aPLCATransmitOpportunityTimer represents the duration of to timer in bit times. Valid range is 1 to 255, inclusive. The default value is 32. See 148.4.4.4.;

30.16.1.1.6 aPLCAMaxBurstCount

ATTRIBUTE

APPROPRIATE SYNTAX:

INTEGER

BEHAVIOUR DEFINED AS:

Maximum number of additional packets the node is allowed to transmit in a single transmit opportunity as specified in 148.4.4.1 and 148.4.4.2. Valid range is 0 to 255, inclusive. The default value is 0.;

30.16.1.1.7 aPLCABurstTimer

ATTRIBUTE

APPROPRIATE SYNTAX:

INTEGER

BEHAVIOUR DEFINED AS:

This value sets the maximum number of bit-times PLCA waits for the MAC to send a new packet before yielding the transmit opportunity. See definition in 148.4.4.1 and 148.4.4.2. Valid range is 0 to 255, inclusive. The default value is 128.;

30.16.1.2 PLCA device actions

30.16.1.2.1 acPLCAAdminControl

ACTION

APPROPRIATE SYNTAX:

An ENUMERATED VALUE that has the following entries:

- disabled
- enabled

BEHAVIOUR DEFINED AS:

This action provides a means to alter aPLCAAdminState. Setting acPLCAAdminControl to the disabled state sets the variable plca_en to FALSE and disables the PLCA functionality specified in Clause 148. Setting acPLCAAdminControl to the enabled state sets the variable plca_en to TRUE in Figure 148–3, Figure 148–4, Figure 148–5, Figure 148–6, and Figure 148–7.;

30.16.1.2.2 acPLCAReset

ACTION

APPROPRIATE SYNTAX:

An ENUMERATED VALUE that has the following entries:

reset
normal

BEHAVIOUR DEFINED AS:

This action provides a means to reset the PLCA Reconciliation Sublayer functions. See 148.4.4.2.;

STANDARDSISO.COM : Click to view the full PDF of ISO/IEC/IEEE 8802-3:2021/Amd 5:2021

45. Management Data Input/Output (MDIO) Interface

45.2 MDIO Interface Registers

45.2.1 PMA/PMD registers

Change Table 45–3 as follows (unchanged rows not shown):

Table 45–3—PMA/PMD registers

Register address	Register name	Subclause
...		
1.2103 through 1.2293 303	Reserved	
1.2294	10BASE-T1L PMA control	45.2.1.186a
1.2295	10BASE-T1L PMA status	45.2.1.186b
1.2296	10BASE-T1L test mode control	45.2.1.186c
1.2297	10BASE-T1S PMA control	45.2.1.186d
1.2298	10BASE-T1S PMA status	45.2.1.186e
1.2299	10BASE-T1S test mode control	45.2.1.186f
1.2300 through 1.2303	Reserved	
...		

45.2.1.7 PMA/PMD status 2 register (Register 1.8)

45.2.1.7.4 Transmit fault (1.8.11)

Insert the following new row at the beginning of Table 45–9:

Table 45–9—Transmit fault description location

PMA/PMD	Description location
10BASE-T1L	146.4.2

45.2.1.7.5 Receive fault (1.8.10)

Insert the following new row at the beginning of Table 45–10:

Table 45–10—Receive fault description location

PMA/PMD	Description location
10BASE-T1L	146.4.3

45.2.1.16 BASE-T1 PMA/PMD extended ability register (1.18)

Change Table 45-19 as follows (unchanged rows not shown):

Table 45-19—BASE-T1 PMA/PMD extended ability register bit definitions

Bit(s)	Name	Description	R/W ^a
1.18.15:24	Reserved	Value always 0	RO
1.18.3	10BASE-T1S ability	1 = PMA/PMD is able to perform 10BASE-T1S 0 = PMA/PMD is not able to perform 10BASE-T1S	RO
1.18.2	10BASE-T1L ability	1 = PMA/PMD is able to perform 10BASE-T1L 0 = PMA/PMD is not able to perform 10BASE-T1L	RO
...			

^aRO = Read only

45.2.1.185 BASE-T1 PMA/PMD control register (Register 1.2100)

Change Table 45-149 as follows (unchanged rows not shown):

Table 45-149—BASE-T1 PMA/PMD control register bit definitions

Bit(s)	Name	Description	R/W ^a
...			
1.2100.3:0	Type Selection	3 2 1 0 1 x x x = Reserved 0 1 x x = Reserved <u>0 0 1 1 = 10BASE-T1S</u> <u>0 0 1 x0 = Reserved</u> 0 0 0 1 = 1000BASE-T1 0 0 0 0 = 100BASE-T1	R/W

^aRO = Read only, R/W = Read/Write

45.2.1.185.2 Type selection (1.2100.3:0)

Change 45.1.185.2 as follows:

Bits 1.2100.3:0 are used to set the mode of operation when Auto-Negotiation enable bit 7.512.12 is set to zero, or if Auto-Negotiation is not implemented. When these bits are set to 0000, the mode of operation is 100BASE-T1. When these bits are set to 0001, the mode of operation is 1000BASE-T1. When these bits are set to 0010, the mode of operation is 10BASE-T1L. When these bits are set to 0011, the mode of operation is 10BASE-T1S. These bits shall be ignored when the Auto-Negotiation enable bit 7.512.12 is set to one.

Insert the following new subclauses (45.2.1.186a through 45.2.1.186f.1, including Table 45-150a through Table 45-150f) after 45.2.1.186.1:

45.2.1.186a 10BASE-T1L PMA control register (Register 1.2294)

The assignment of bits in the 10BASE-T1L PMA control register is shown in Table 45–150a.

Table 45–150a—10BASE-T1L PMA control register bit definitions

Bit(s)	Name	Description	R/W ^a
1.2294.15	PMA reset	1 = PMA reset 0 = Normal operation	R/W, SC
1.2294.14	Transmit disable	1 = Transmit disable 0 = Normal operation	R/W
1.2294.13	Reserved	Value always zero	RO
1.2294.12	Transmit voltage amplitude control	1 = Enable 2.4 Vpp operating mode 0 = Enable 1.0 Vpp operating mode	R/W
1.2294.11	Low-power	1 = Low-power mode 0 = Normal operation	R/W
1.2294.10	EEE enable	1 = Enable EEE mode 0 = Disable EEE mode	R/W
1.2294.9:1	Reserved	Value always 0	RO
1.2294.0	Loopback	1 = Enable loopback mode 0 = Disable loopback mode	R/W

^aRO = Read only, R/W = Read/Write, SC = Self-clearing

45.2.1.186a.1 PMA reset (1.2294.15)

Resetting the 10BASE-T1L PMA is accomplished by setting bit 1.2294.15 to one. This action shall set all 10BASE-T1L PMA registers to their default states. As a consequence, this action may change the internal state of the 10BASE-T1L PMA and the state of the physical link. This action may also initiate a reset in any other MMDs that are instantiated in the same package. This bit is self-clearing, and the 10BASE-T1L PMA shall return a value of one in bit 1.2294.15 when a reset is in progress; otherwise, it shall return a value of zero. The 10BASE-T1L PMA is not required to accept a write transaction to any of its registers until the reset process is completed. The control and management interface shall be restored to operation within 0.5 s from the setting of bit 1.2294.15.

During a reset, the 10BASE-T1L PMA shall respond to reads from bits 1.2294.15, 1.8.15:14, and 1.0.15. Reads for all other bits are indeterminate, and the values are invalid.

NOTE—This operation may interrupt data communication.

Bit 1.2294.15 is a copy of bit 1.0.15, and setting or clearing either bit shall set or clear the other bit. Setting either bit shall reset the 10BASE-T1L PMA.

45.2.1.186a.2 Transmit disable (1.2294.14)

When bit 1.2294.14 is set to one, the PMA shall disable output on the transmit path. When bit 1.2294.14 is set to zero, the PMA shall enable output on the transmit path.

Bit 1.2294.14 is a copy of bit 1.9.0, and setting or clearing either bit shall set or clear the other bit. Setting either bit shall disable the transmitter.

45.2.1.186a.3 Transmit voltage amplitude control (1.2294.12)

Bit 1.2294.12 is used to set the 2.4 Vpp operating mode when Auto-Negotiation enable bit 7.512.12 is set to zero or if Auto-Negotiation is not implemented. If bit 1.2294.12 is set to one, the PHY shall operate in 2.4 Vpp operating mode according to 146.5.4.1. If bit 1.2294.12 is set to zero, the PHY shall operate in 1.0 Vpp operating mode according to 146.5.4.1. The default value of bit 1.2294.12 is zero. This bit shall be ignored when the Auto-Negotiation enable bit 7.512.12 is set to one.

45.2.1.186a.4 Low-power (1.2294.11)

When the low-power ability is supported, the 10BASE-T1L PMA may be placed into a low-power mode by setting bit 1.2294.11 to one. This action may also initiate a low-power mode in any other MMDs that are instantiated in the same package. The low-power mode is exited by resetting the 10BASE-T1L PMA. The behavior of the 10BASE-T1L PMA in transition to and from the low-power mode is implementation specific, and any interface signals should not be relied upon. While in the low-power mode, the device shall, as a minimum, respond to management transactions necessary to exit the low-power mode. The default value of bit 1.2294.11 is zero.

NOTE—This operation may interrupt data communication. The data path of the 10BASE-T1L PMA, depending on implementation, may take many seconds to run at optimum error ratio after exiting from reset or low-power mode.

Bit 1.2294.11 is a copy of bit 1.0.11, and setting or clearing either bit shall set or clear the other bit. Setting either bit shall put the 10BASE-T1L PMA in low-power mode.

45.2.1.186a.5 EEE enable (1.2294.10)

Bit 1.2294.10 is used to enable EEE functionality when Auto-Negotiation enable bit 7.512.12 is set to zero or if Auto-Negotiation is not implemented. If bit 1.2294.10 is set to one, the PHY shall operate with EEE enabled. If bit 1.2294.10 is set to zero, the PHY shall operate with EEE disabled. This bit shall be ignored when the Auto-Negotiation enable bit 7.512.12 is set to one. The default value of bit 1.2294.10 is zero.

45.2.1.186a.6 Loopback (1.2294.0)

The 10BASE-T1L PMA shall be placed in near-end loopback mode of operation when bit 1.2294.0 is set to one. When in loopback mode, the 10BASE-T1L PMA shall accept data on the transmit path and return it on the receive path. The default value of bit 1.2294.0 is zero. Bit 1.2294.0 is a copy of 1.0.0, and setting or clearing either bit shall set or clear the other bit. Setting either bit shall enable loopback.

45.2.1.186b 10BASE-T1L PMA status register (Register 1.2295)

The assignment of bits in the 10BASE-T1L PMA status register is shown in Table 45–150b.

Table 45–150b—10BASE-T1L PMA status register bit definitions

Bit(s)	Name	Description	R/W ^a
1.2295.15:14	Reserved	Value always 0	RO
1.2295.13	Loopback ability	1 = PHY has loopback ability 0 = PHY has no loopback ability	RO
1.2295.12	2.4 Vpp operating mode ability	1 = PHY has 2.4 Vpp operating mode ability 0 = PHY does not have 2.4 Vpp operating mode ability	RO
1.2295.11	Low-power ability	1 = PMA has low-power ability 0 = PMA does not have low-power ability	RO
1.2295.10	EEE ability	1 = PHY has EEE ability 0 = PHY does not have EEE ability	RO
1.2295.9	Receive fault ability	1 = PMA has the ability to detect a fault condition on the receive path 0 = PMA does not have the ability to detect a fault condition on the receive path	RO
1.2295.8:3	Reserved	Value always 0	RO
1.2295.2	Receive polarity	1 = Receive polarity is reversed 0 = Receive polarity is not reversed	RO
1.2295.1	Receive fault	1 = Fault condition detected 0 = Fault condition not detected	RO/LH
1.2295.0	Receive link status	1 = PMA receive link up 0 = PMA receive link down	RO/LL

^aRO = Read only, LL = Latching low, LH = Latching high

45.2.1.186b.1 Loopback ability (1.2295.13)

When read as a one, this bit indicates that the 10BASE-T1L PHY supports PMA loopback. When read as a zero, this bit indicates that the 10BASE-T1L PHY does not support PMA loopback.

45.2.1.186b.2 2.4 Vpp operating mode ability (1.2295.12)

When read as a one, this bit indicates that the 10BASE-T1L PHY supports a transmit level of 2.4 Vpp. When read as a zero, this bit indicates that the 10BASE-T1L PHY does not support a transmit level of 2.4 Vpp.

45.2.1.186b.3 Low-power ability (1.2295.11)

When read as a one, bit 1.2295.11 indicates that the 10BASE-T1L PMA supports the low-power ability. When read as a zero, bit 1.2295.11 indicates that the 10BASE-T1L PMA does not support the low-power ability. If the 10BASE-T1L PMA supports the low-power ability, then it is controlled using either bit 1.2294.11 or bit 1.0.11.

45.2.1.186b.4 EEE ability (1.2295.10)

When read as a one, this bit indicates that the 10BASE-T1L PHY supports EEE. When read as a zero, this bit indicates that the 10BASE-T1L PHY does not support EEE.

45.2.1.186b.5 Receive fault ability (1.2295.9)

When read as a one, bit 1.2295.9 indicates that the 10BASE-T1L PMA has the ability to detect a fault condition on the receive path. When read as a zero, bit 1.2295.9 indicates that the 10BASE-T1L PMA does not have the ability to detect a fault condition on the receive path.

45.2.1.186b.6 Receive polarity (1.2295.2)

When read as a zero, bit 1.2295.2 indicates that the polarity of the receiver is not reversed. When read as a one, bit 1.2295.2 indicates that the polarity of the receiver is reversed.

45.2.1.186b.7 Receive fault (1.2295.1)

When read as a one, bit 1.2295.1 indicates that the 10BASE-T1L PMA has detected a fault condition on the receive path. When read as a zero, bit 1.2295.1 indicates that the 10BASE-T1L PMA has not detected a fault condition on the receive path. Detection of a fault condition on the receive path is optional, and the ability to detect such a condition is advertised by bit 1.2295.9. The 10BASE-T1L PMA that is unable to detect a fault condition on the receive path shall return a value of zero for this bit. The receive fault bit shall be implemented with latching high behavior.

45.2.1.186b.8 Receive link status (1.2295.0)

When read as a one, bit 1.2295.0 indicates that the 10BASE-T1L PMA receive link is up. When read as a zero, bit 1.2295.0 indicates that the 10BASE-T1L PMA receive link has been down one or more times since the register was last read. The receive link status bit shall be implemented with latching low behavior.

45.2.1.186c 10BASE-T1L test mode control register (Register 1.2296)

The assignment of bits in the 10BASE-T1L test mode control register is shown in Table 45–150c. The default values for each bit should be chosen so that the initial state of the device upon power up or reset is a normal operational state without management intervention.

Table 45–150c—10BASE-T1L test mode control register bit definitions

Bit(s)	Name	Description	R/W ^a
1.2296.15:13	Test mode control	15 14 13 1 x x = Reserved 0 1 1 = Test mode 3 0 1 0 = Test mode 2 0 0 1 = Test mode 1 0 0 0 = Normal (non-test) operation	R/W
1.2296.12:0	Reserved	Value always 0	RO

^aRO = Read only, R/W = Read/Write

45.2.1.186c.1 Test mode control (1.2296.15:13)

Transmitter test mode operations defined by bits 1.2296.15:13 are described in 146.5.2. The default value for bits 1.2296.15:13 is zero.

45.2.1.186d 10BASE-T1S PMA control register (Register 1.2297)

The assignment of bits in the 10BASE-T1S PMA control register is shown in Table 45–150d.

Table 45–150d—10BASE-T1S PMA control register bit definitions

Bit(s)	Name	Description	R/W ^a
1.2297.15	PMA reset	1 = PMA reset 0 = Normal operation	R/W, SC
1.2297.14	Transmit disable	1 = Transmit disable 0 = Normal operation	R/W
1.2297.13:12	Reserved	Value always 0	RO
1.2297.11	Low-power	1 = Low-power mode 0 = Normal operation	R/W
1.2297.10	Multidrop mode	1 = Enable operation over mixing segment network 0 = Disable operation over mixing segment network	R/W
1.2297.9:1	Reserved	Value always 0	RO
1.2297.0	Loopback	1 = Enable loopback mode 0 = Disable loopback mode	R/W

^aRO = Read only, R/W = Read/Write, SC = Self-clearing

45.2.1.186d.1 PMA reset (1.2297.15)

Resetting the 10BASE-T1S PMA is accomplished by setting bit 1.2297.15 to one. This action shall set all 10BASE-T1S PMA registers to their default states. As a consequence, this action may change the internal state of the 10BASE-T1S PMA and the state of the physical link. This action may also initiate a reset in any other MMDs that are instantiated in the same package. This bit is self-clearing, and the 10BASE-T1S PMA shall return a value of one in bit 1.2297.15 when a reset is in progress; otherwise, it shall return a value of zero. The 10BASE-T1S PMA is not required to accept a write transaction to any of its registers until the reset process is completed. The control and management interface shall be restored to operation within 0.5 s from the setting of bit 1.2297.15.

During a reset, the 10BASE-T1S PMA shall respond to reads from bits 1.2297.15, 1.8.15:14, and 1.0.15. All other register bits should be ignored.

NOTE—This operation may interrupt communication.

Bit 1.2297.15 is a copy of 1.0.15, and setting or clearing either bit shall set or clear the other bit. Setting either bit shall reset the 10BASE-T1S PMA.

45.2.1.186d.2 Transmit disable (1.2297.14)

When bit 1.2297.14 is set to one, the PMA shall disable output on the transmit path. When bit 1.2297.14 is set to zero, the PMA shall enable output on the transmit path.

Bit 1.2297.14 is a copy of bit 1.9.0, and setting or clearing either bit shall set or clear the other bit. Setting either bit shall disable the transmitter.

45.2.1.186d.3 Low-power (1.2297.11)

When the low-power ability is supported, the 10BASE-T1S PMA may be placed into a low-power mode by setting bit 1.2297.11 to one. This action may also initiate a low-power mode in any other MMDs that are instantiated in the same package. The low-power mode is exited by resetting the 10BASE-T1S PMA. The behavior of the 10BASE-T1S PMA in transition to and from the low-power mode is implementation specific, and any interface signals should not be relied upon. While in the low-power mode, the device shall respond to management transactions necessary to exit the low-power mode. The default value of bit 1.2297.11 is zero.

NOTE—The time from low-power mode to full operation is implementation specific.

Bit 1.2297.11 is a copy of bit 1.0.11, and setting or clearing either bit shall set or clear the other bit. Setting either bit shall put the 10BASE-T1S PMA in low-power mode.

45.2.1.186d.4 Multidrop mode (1.2297.10)

When Auto-Negotiation is implemented and enabled, writing to this bit shall have no effect on the PHY, and the PCS multidrop variable shall be set to FALSE. If multidrop mode is not supported according to bit 1.2298.10, then writing to bit 1.2297.10 shall have no effect, and the multidrop variable shall be set to FALSE. Otherwise, if bit 1.2297.10 is set to one, the 10BASE-T1S PMA shall operate in multidrop mode, and the multidrop variable is set to TRUE; and if bit 1.2297.10 is set to zero, the multidrop variable is set to FALSE. If multidrop mode is supported according to bit 1.2298.10, then the default value of bit 1.2297.10 should be one.

45.2.1.186d.5 Loopback (1.2297.0)

The 10BASE-T1S PMA shall be placed in loopback mode of operation when loopback bit 1.2297.0 is set to one. When in loopback mode, the 10BASE-T1S PMA shall accept data on the transmit path and return it on the receive path. The default value of bit 1.2297.0 is zero. Bit 1.2297.0 is a copy of 1.0.0, and setting or clearing either bit shall set or clear the other bit. Setting either bit shall enable loopback.

45.2.1.186e 10BASE-T1S PMA status register (Register 1.2298)

The assignment of bits in the 10BASE-T1S PMA status register is shown in Table 45–150e.

Table 45–150e—10BASE-T1S PMA status register bit definitions

Bit(s)	Name	Description	R/W ^a
1.2298.15:14	Reserved	Value always 0	RO
1.2298.13	Loopback ability	1 = PHY has loopback ability 0 = PHY has no loopback ability	RO

Table 45–150e—10BASE-T1S PMA status register bit definitions (continued)

Bit(s)	Name	Description	R/W ^a
1.2298.12	Reserved	Value always 0	RO
1.2298.11	Low-power ability	1 = PMA has low-power ability 0 = PMA does not have low-power ability	RO
1.2298.10	Multidrop mode ability	1 = PMA has the ability to operate over a mixing segment network 0 = PMA does not have the ability to operate over a mixing segment network	RO
1.2298.9	Receive fault ability	1 = PMA has the ability to detect a fault condition on the receive path 0 = PMA does not have the ability to detect a fault condition on the receive path	RO
1.2298.8:2	Reserved	Value always 0	RO
1.2298.1	Receive fault	1 = Fault condition detected 0 = Fault condition not detected	RO/LH
1.2298.0	Reserved	Value always 0	RO

^aRO = Read only, LH = Latching high

45.2.1.186e.1 10BASE-T1S loopback ability (1.2298.13)

When read as a one, this bit indicates that the 10BASE-T1S PHY supports PMA loopback. When read as a zero, this bit indicates that the 10BASE-T1S PHY does not support PMA loopback.

45.2.1.186e.2 Low-power ability (1.2298.11)

When read as a one, bit 1.2298.11 indicates that the 10BASE-T1S PMA supports the low-power ability. When read as a zero, bit 1.2298.11 indicates that the 10BASE-T1S PMA does not support the low-power feature. If the 10BASE-T1S PMA supports the low-power feature, then it is controlled using either bit 1.2297.11 or bit 1.0.11.

45.2.1.186e.3 Multidrop ability (1.2298.10)

When read as a one, bit 1.2298.10 indicates that the 10BASE-T1S PMA supports multidrop mode (see Clause 147). When read as a zero, bit 1.2298.10 indicates that the 10BASE-T1S PMA does not support multidrop mode. If the 10BASE-T1S PMA supports multidrop mode, then it is controlled using bit 1.2297.10; otherwise, bit 1.2297.10 has no effect.

45.2.1.186e.4 Receive fault ability (1.2298.9)

When read as a one, bit 1.2298.9 indicates that the 10BASE-T1S PMA has the ability to detect a fault condition on the receive path. When read as a zero, bit 1.2298.9 indicates that the 10BASE-T1S PMA does not have the ability to detect a fault condition on the receive path.

45.2.1.186e.5 Receive fault (1.2298.1)

When read as a one, bit 1.2298.1 indicates that the 10BASE-T1S PMA has detected a fault condition on the receive path. When read as a zero, bit 1.2298.1 indicates that the 10BASE-T1S PMA has not detected a fault condition on the receive path. Detection of a fault condition on the receive path is optional, and the ability to detect such a condition is advertised by bit 1.2298.9. The 10BASE-T1S PMA that is unable to detect a fault condition on the receive path shall return a value of zero for this bit. This bit shall be implemented with latching high behavior.

45.2.1.186f 10BASE-T1S test mode control register (Register 1.2299)

The assignment of bits in the 10BASE-T1S test mode control register is shown in Table 45–150f. The default values for each bit should be chosen so that the initial state of the device upon power up or reset is a normal operational state without management intervention.

Table 45–150f—10BASE-T1S test mode control register bit definitions

Bit(s)	Name	Description	R/W ^a
1.2299.15:13	Test mode control	15 14 13 1 1 x = Reserved 1 0 1 = Reserved 1 0 0 = Test mode 4 0 1 1 = Test mode 3 0 1 0 = Test mode 2 0 0 1 = Test mode 1 0 0 0 = Normal (non-test) operation	R/W
1.2299.12:0	Reserved	Value always 0	RO

^aRO = Read only, R/W = Read/Write

45.2.1.186f.1 Test mode control (1.2299.15:13)

Transmitter test mode operations defined by bits 1.2299.15:13 are described in 147.5.2. The default value for bits 1.2299.15:13 is zero.

45.2.3 PCS registers

Change Table 45–176 as follows (unchanged rows not shown):

Table 45–176—PCS registers

Register address	Register name	Subclause
...		
3.1809 through 3.2277	Reserved	
<u>3.2278</u>	<u>10BASE-T1L PCS control</u>	<u>45.2.3.68a</u>
<u>3.2279</u>	<u>10BASE-T1L PCS status</u>	<u>45.2.3.68b</u>
3.2280 through 3.2290	Reserved	

Table 45–176—PCS registers (continued)

Register address	Register name	Subclause
3.2291	10BASE-T1S PCS control	45.2.3.68c
3.2292	10BASE-T1S PCS status	45.2.3.68d
3.2293	10BASE-T1S PCS diagnostic 1	45.2.3.68e
3.2294	10BASE-T1S PCS diagnostic 2	45.2.3.68f
3.2295 through 3.2303	Reserved	
...		

Insert the following new subclauses (45.2.3.68a through 45.2.3.68f.1, including Table 45–237a through Table 45–237f) after 45.2.3.68:

45.2.3.68a 10BASE-T1L PCS control register (Register 3.2278)

The assignment of bits in the 10BASE-T1L PCS control register is shown in Table 45–237a. The default value for each bit of the 10BASE-T1L PCS control register should be chosen so that the initial state of the device upon power up or reset is a normal operational state without management intervention.

Table 45–237a—10BASE-T1L PCS control register bit definitions

Bit(s)	Name	Description	R/W ^a
3.2278.15	PCS reset	1 = PCS reset 0 = Normal operation	R/W, SC
3.2278.14	Loopback	1 = Enable loopback mode 0 = Disable loopback mode	R/W
3.2278.13:0	Reserved	Value always 0	RO

^aRO = Read only, R/W = Read/Write, SC = Self-clearing

45.2.3.68a.1 PCS reset (3.2278.15)

Resetting the 10BASE-T1L PCS is accomplished by setting bit 3.2278.15 to one. This action shall set all 10BASE-T1L PCS registers to their default states. As a consequence, this action may change the internal state of the 10BASE-T1L PCS and the state of the physical link. This action may also initiate a reset in any other MMDs that are instantiated in the same package. This bit is self-clearing, and the 10BASE-T1L PCS shall return a value of one in bit 3.2278.15 when a reset is in progress; otherwise, it shall return a value of zero. The 10BASE-T1L PCS is not required to accept a write transaction to any of its registers until the reset process is completed. The control and management interface shall be restored to operation within 0.5 s from the setting of bit 3.2278.15. During a reset, a PCS shall respond to reads from bits 3.0.15, 3.8.15:14, and 3.2278.15. Reads for all other bits shall be ignored.

NOTE—This operation may interrupt data communication.

Bit 3.2278.15 is a copy of 3.0.15, and setting or clearing either bit shall set or clear the other bit. Setting either bit shall reset the 10BASE-T1L PCS.

45.2.3.68a.2 Loopback (3.2278.14)

The 10BASE-T1L PCS shall be placed in a loopback mode of operation when bit 3.2278.14 is set to one. When in loopback mode, the 10BASE-T1L PCS shall accept data on the transmit path and return it on the receive path.

The default value of bit 3.2278.14 is zero.

Bit 3.2278.14 is a copy of 3.0.14, and setting or clearing either bit shall set or clear the other bit. Setting either bit shall enable loopback.

45.2.3.68b 10BASE-T1L PCS status register (Register 3.2279)

The assignment of bits in the 10BASE-T1L PCS status register is shown in Table 45-237b. All the bits in the 10BASE-T1L PCS status register are read only; a write to the 10BASE-T1L PCS status register shall have no effect.

Table 45-237b—10BASE-T1L PCS status register bit definitions

Bit(s)	Name	Description	R/W ^a
3.2279.15:12	Reserved	Value always 0	RO
3.2279.11	Tx LPI received	1 = Tx PCS has received LPI 0 = LPI not received	RO/LH
3.2279.10	Rx LPI received	1 = Rx PCS has received LPI 0 = LPI not received	RO/LH
3.2279.9	Tx LPI indication	1 = Tx PCS is currently receiving LPI 0 = PCS is not currently receiving LPI	RO
3.2279.8	Rx LPI indication	1 = Rx PCS is currently receiving LPI 0 = PCS is not currently receiving LPI	RO
3.2279.7	Fault	1 = Fault condition detected 0 = No fault condition detected	RO/LH
3.2279.6:3	Reserved	Value always 0	RO
3.2279.2	PCS receive link status	1 = PCS receive link up 0 = PCS receive link down	RO/LL
3.2279.1:0	Reserved	Value always 0	RO

^aRO = Read only, LH = Latching high, LL = Latching low

45.2.3.68b.1 Tx LPI received (3.2279.11)

When read as a one, bit 3.2279.11 indicates that the transmit 10BASE-T1L PCS has received LPI signaling one or more times since the register was last read. When read as a zero, bit 3.2279.11 indicates that the 10BASE-T1L PCS has not received LPI signaling. This bit shall be implemented with latching high behavior.

45.2.3.68b.2 Rx LPI received (3.2279.10)

When read as a one, bit 3.2279.10 indicates that the receive 10BASE-T1L PCS has received LPI signaling one or more times since the register was last read. When read as a zero, bit 3.2279.10 indicates that the 10BASE-T1L PCS has not received LPI signaling. This bit shall be implemented with latching high behavior.

45.2.3.68b.3 Tx LPI indication (3.2279.9)

When read as a one, bit 3.2279.9 indicates that the transmit 10BASE-T1L PCS is currently receiving LPI signals. When read as a zero, bit 3.2279.9 indicates that the 10BASE-T1L PCS is not currently receiving LPI signals. The behavior if read during a state transition is undefined.

45.2.3.68b.4 Rx LPI indication (3.2279.8)

When read as a one, bit 3.2279.8 indicates that the receive 10BASE-T1L PCS is currently receiving LPI signals. When read as a zero, bit 3.2279.8 indicates that the 10BASE-T1L PCS is not currently receiving LPI signals. The behavior if read during a state transition is undefined.

45.2.3.68b.5 Fault (3.2279.7)

When read as a one, bit 3.2279.7 indicates that the 10BASE-T1L PCS has detected a fault condition on either the transmit or receive path. When read as a zero, bit 3.2279.7 indicates that the 10BASE-T1L PCS has not detected a fault condition. This bit shall be implemented with latching high behavior.

45.2.3.68b.6 PCS receive link status (3.2279.2)

When read as a one, bit 3.2279.2 indicates that the 10BASE-T1L PCS receive link is up. When read as a zero, bit 3.2279.2 indicates that the 10BASE-T1L PCS receive link was down since the last read from this bit. This bit shall be implemented with latching low behavior and is a reflection of the variable `scr_status`. If the bit is read while `scr_status = OK`, then this bit is set. If `scr_status = NOT_OK`, then this bit is reset.

45.2.3.68c 10BASE-T1S PCS control register (Register 3.2291)

The assignment of bits in the 10BASE-T1S PCS control register is shown in Table 45–237c. The default value for each bit of the 10BASE-T1S PCS control register should be chosen so that the initial state of the device upon power up or reset is a normal operational state without management intervention.

Table 45–237c—10BASE-T1S PCS control register bit definitions

Bit(s)	Name	Description	R/W ^a
3.2291.15	PCS reset	1 = PCS reset 0 = Normal operation	R/W, SC
3.2291.14	Loopback	1 = Enable loopback mode 0 = Disable loopback mode	R/W
3.2291.13:9	Reserved	Value always 0	RO
3.2291.8	Duplex mode	1 = Set to half duplex 0 = Set to full duplex	R/W
3.2291.7:0	Reserved	Value always 0	RO

^aRO = Read only, R/W = Read/Write, SC = Self-clearing

45.2.3.68c.1 PCS reset (3.2291.15)

Resetting the 10BASE-T1S PCS is accomplished by setting bit 3.2291.15 to one. This action shall set all 10BASE-T1S PCS registers to their default states. As a consequence, this action may change the internal state of the 10BASE-T1S PCS and the state of the physical link. This action may also initiate a reset in any other MMDs that are instantiated in the same package. This bit is self-clearing, and the 10BASE-T1S PCS shall return a value of one in bit 3.2291.15 when a reset is in progress; otherwise, it shall return a value of zero. The 10BASE-T1S PCS is not required to accept a write transaction to any of its registers until the reset process is completed. The control and management interface shall be restored to operation within 0.5 s from the setting of bit 3.2291.15. During a reset, a PCS shall respond to reads from bits 3.0.15, 3.8.15:14, and 3.2291.15. Reads for all other bits shall be ignored.

NOTE—This operation may interrupt data communication.

Bit 3.2291.15 is a copy of 3.0.15, and setting or clearing either bit shall set or clear the other bit. Setting either bit shall reset the 10BASE-T1S PCS.

45.2.3.68c.2 Loopback (3.2291.14)

The 10BASE-T1S PCS shall be placed in a loopback mode of operation when bit 3.2291.14 is set to one. When in loopback mode, the 10BASE-T1S PCS shall accept data on the transmit path and return it on the receive path.

The default value of bit 3.2291.14 is zero.

Bit 3.2291.14 is a copy of 3.0.14, and setting or clearing either bit shall set or clear the other bit. Setting either bit shall enable loopback.

45.2.3.68c.3 Duplex mode (3.2291.8)

Bit 3.2291.8 is used to configure the PCS duplex_mode variable when not operating in Multidrop mode and when Auto-Negotiation enable bit 7.512.12 is set to zero, or if Auto-Negotiation is not implemented. If bit 3.2291.8 is set to one, then duplex_mode is set to DUPLEX_HALF. If bit 3.2291.8 is set to zero, then duplex_mode is set to DUPLEX_FULL. This bit shall be ignored when the Auto-Negotiation enable bit 7.512.12 is set to one.

Bit 3.2291.8 is a copy of bit 0.8 (see Table 22-7), and setting or clearing either bit shall set or clear the other bit.

45.2.3.68d 10BASE-T1S PCS status register (Register 3.2292)

The assignment of bits in the 10BASE-T1S PCS status register is shown in Table 45-237d. All the bits in the 10BASE-T1S PCS status register are read only; a write to the 10BASE-T1S PCS status register shall have no effect.

Table 45-237d—10BASE-T1S PCS status register bit definitions

Bit(s)	Name	Description	R/W ^a
3.2292.15:8	Reserved	Value always 0	RO
3.2292.7	Fault	1 = Fault condition detected 0 = No fault condition detected	RO/LH
3.2292.6:0	Reserved	Value always 0	RO

^aRO = Read only, LH = Latching high

45.2.3.68d.1 Fault (3.2292.7)

When read as a one, bit 3.2292.7 indicates that the 10BASE-T1S PCS has detected a fault condition on either the transmit or receive path. When read as a zero, bit 3.2292.7 indicates that the 10BASE-T1S PCS has not detected a fault condition. This bit shall be implemented with latching high behavior.

45.2.3.68e 10BASE-T1S PCS diagnostic 1 (Register 3.2293)

The assignment of bits in the 10BASE-T1S PCS diagnostic 1 register is shown in Table 45-237e. All the bits in the 10BASE-T1S PCS diagnostic 1 register are read only and self-clear on read; a write to the 10BASE-T1S PCS diagnostic 1 register shall have no effect.

Table 45-237e—10BASE-T1S PCS diagnostic 1 register bit definitions

Bit(s)	Name	Description	R/W ^a
3.2293.15:0	Remote jabber count	16-bit field counting the number of remote jabber errors received since last read of this register	RO, SC

^aRO = Read only, SC = Self-clearing

45.2.3.68e.1 Remote jabber count (3.2293.15:0)

Bits 3.2293.15:0 report the number of received jabber events since the last time register 3.2293 was read. The remote jabber count shall not wrap. When the maximum allowed value (65 535) is reached, the count stops until this register is cleared by a read operation.

45.2.3.68f 10BASE-T1S PCS diagnostic 2 (Register 3.2294)

The assignment of bits in the 10BASE-T1S PCS diagnostic 2 register is shown in Table 45–237f. All the bits in the 10BASE-T1S PCS diagnostic 2 register are read only and self-clear on read; a write to the 10BASE-T1S PCS diagnostic 2 register shall have no effect.

Table 45–237f—10BASE-T1S PCS diagnostic 2 register bit definitions

Bit(s)	Name	Description	R/W ^a
3.2294.15:0	CorruptedTxCnt	16-bit field counting each time a transmission initiated locally results in a corrupted signal at the MDI since last read of this register	RO, SC

^aRO = Read only, SC = Self-clearing

45.2.3.68f.1 CorruptedTxCnt (3.2294.15:0)

Bits 3.2294.15:0 count up at each positive edge of the MII signal COL. When the maximum allowed value (65 535) is reached, the count stops until this register is cleared by a read operation.

45.2.7 Auto-Negotiation registers

Change Table 45–309 as follows (unchanged rows not shown):

Table 45–309—Auto-Negotiation MMD registers

Register address	Register name	Subclause
...		
<u>7.526</u>	<u>10BASE-T1 AN control</u>	<u>45.2.7.25</u>
<u>7.527</u>	<u>10BASE-T1 AN status</u>	<u>45.2.7.26</u>
7.526 8 through 7.327 67	Reserved	
...		

Insert the following new subclauses (45.2.7.25 and 45.2.7.26, including Table 45–330a and Table 45–330b) after 45.27.24:

45.2.7.25 10BASE-T1 AN control register (Register 7.526)

The assignment of bits in the 10BASE-T1 AN control register is shown in Table 45–330a. The default value for each bit of the 10BASE-T1 AN control register has been chosen so that the initial state of the device upon power up or completion of reset is a normal operational state without management intervention.

Table 45–330a—10BASE-T1 AN control register bit definitions

Bit(s)	Name	Description	R/W ^a
7.526.15	10BASE-T1L capability advertisement	1 = Advertise PHY as 10BASE-T1L capable 0 = Do not advertise PHY as 10BASE-T1L capable	R/W
7.526.14	10BASE-T1L EEE ability advertisement	1 = Advertise that the 10BASE-T1L PHY has EEE ability 0 = Do not advertise that the 10BASE-T1L PHY has EEE ability (default)	R/W
7.526.13	10BASE-T1L increased transmit/receive level ability advertisement	1 = Advertise that the 10BASE-T1L PHY has increased transmit/receive level ability 0 = Do not advertise that the 10BASE-T1L PHY has increased transmit/receive level ability (default)	R/W
7.526.12	10BASE-T1L increased transmit level request	1 = Request 10BASE-T1L increased transmit level 0 = Do not request 10BASE-T1L increased transmit level (default)	R/W
7.526.11:8	Reserved	Value always 0	RO
7.526.7	10BASE-T1S full duplex ability advertisement	1 = Advertise that the 10BASE-T1S PHY has full duplex ability 0 = Do not advertise that the 10BASE-T1S PHY has full duplex ability	R/W
7.526.6	10BASE-T1S half duplex capability advertisement	1 = Advertise PHY as 10BASE-T1S half duplex capable 0 = Do not advertise PHY as 10BASE-T1S half duplex capable	R/W
7.526.5:0	Reserved	Value always 0	RO

^aRO = Read only, R/W = Read/Write

45.2.7.25.1 10BASE-T1L capability advertisement (7.526.15)

Bit 7.526.15 is used to select whether Auto-Negotiation advertises the capability to operate as a 10BASE-T1L PHY. If bit 7.526.15 is set to one, the PHY shall advertise 10BASE-T1L capability. If bit 7.526.15 is set to zero, the PHY shall not advertise the capability to operate as a 10BASE-T1L PHY.

45.2.7.25.2 10BASE-T1L EEE ability advertisement (7.526.14)

If the device supports EEE ability for 10BASE-T1L, as defined in 146.1.2.3, and EEE operation is desired, bit 7.526.14 shall be set to one.

45.2.7.25.3 10BASE-T1L increased transmit/receive level ability advertisement (7.526.13)

If the device supports the 2.4 V_{pp} operating mode for 10BASE-T1L, as defined in 146.5.4.1, bit 7.526.13 shall be set to one.

45.2.7.25.4 10BASE-T1L increased transmit level request (7.526.12)

If the device supports the 2.4 V_{pp} operating mode for 10BASE-T1L, as defined in 146.5.4.1, and the 2.4 V_{pp} transmit voltage operation is desired, bit 7.526.12 is set to one. Bit 7.526.12 is used to select whether Auto-Negotiation advertises a request to operate the 10BASE-T1L PHY in increased transmit level mode. If bit 7.526.12 is set to one, the PHY shall advertise a request to operate the 10BASE-T1L PHY in increased transmit level mode. If bit 7.526.12 is set to zero, the PHY shall not advertise a request to operate the 10BASE-T1L PHY in increased transmit level mode.

45.2.7.25.5 10BASE-T1S full duplex ability advertisement (7.526.7)

Bit 7.526.7 is used to select whether Auto-Negotiation advertises the ability to operate the 10BASE-T1S PHY in full duplex mode. If bit 7.526.7 is set to one, the PHY shall advertise 10BASE-T1S full duplex capability. If bit 7.526.7 is set to zero, the PHY shall not advertise the ability to operate in 10BASE-T1S full duplex mode.

45.2.7.25.6 10BASE-T1S half duplex capability advertisement (7.526.6)

Bit 7.526.6 is used to select whether Auto-Negotiation advertises the capability to operate the 10BASE-T1S PHY in half duplex mode. If bit 7.526.6 is set to one, the PHY shall advertise 10BASE-T1S half duplex capability. If bit 7.526.6 is set to zero, the PHY shall not advertise the capability to operate in 10BASE-T1S half duplex mode.

45.2.7.26 10BASE-T1 AN status register (Register 7.527)

The assignment of bits in the 10BASE-T1 AN status register is shown in Table 45–330b. All the bits in the 10BASE-T1 AN status register are read only; therefore, a write to the 10BASE-T1 AN status register shall have no effect.

When the AN process has been completed, this register shall reflect the contents of the link partner’s 10BASE-T1 AN control register. The definitions for the contents of the 10BASE-T1 AN status register are given by the definitions for the contents on the link partner’s 10BASE-T1 control register, 7.526 (see 45.2.7.25).

Table 45–330b—10BASE-T1 AN status register bit definitions

Bit(s)	Name	Description	R/W ^a
7.527.15	10BASE-T1L link partner capability advertisement	1 = Link partner is advertising PHY as 10BASE-T1L capable 0 = Link partner is not advertising PHY as 10BASE-T1L capable	RO
7.527.14	10BASE-T1L link partner EEE ability advertisement	1 = Link partner is advertising that the 10BASE-T1L PHY has EEE ability 0 = Link partner is not advertising that the 10BASE-T1L PHY has EEE ability	RO
7.527.13	10BASE-T1L link partner increased transmit/receive level ability advertisement	1 = Link partner is advertising that the 10BASE-T1L PHY has increased transmit/receive level ability 0 = Link partner is not advertising that the 10BASE-T1L PHY has increased transmit/receive level ability	RO

Table 45–330b—10BASE-T1 AN status register bit definitions (continued)

Bit(s)	Name	Description	R/W ^a
7.527.12	10BASE-T1L link partner increased transmit level request	1 = Link partner is requesting 10BASE-T1L link partner increased transmit level 0 = Link partner is not requesting 10BASE-T1L link partner increased transmit level	RO
7.527.11:8	Reserved	Value always 0	RO
7.527.7	10BASE-T1S link partner full duplex ability advertisement	1 = Link partner is advertising that the 10BASE-T1S PHY has full duplex ability 0 = Link partner is not advertising that the 10BASE-T1S PHY has full duplex ability	RO
7.527.6	10BASE-T1S link partner half duplex capability advertisement	1 = Link partner is advertising PHY as 10BASE-T1S half duplex capable 0 = Link partner is not advertising PHY as 10BASE-T1S half duplex capable	RO
7.527.5:0	Reserved	Value always 0	RO

^aRO = Read only

45.2.9 Power Unit Registers

Insert the following new rows at the end of Table 45-338:

Table 45–338—Power Unit MMD Registers

Register address	Register name	Subclause
13.3	PoDL PSE Status 3	45.2.9.4
13.4	PoDL PSE Status 4	45.2.9.5

45.2.9.1 PoDL PSE Control register (Register 13.0)

Change Table 45-339 as follows (unchanged rows not shown):

Table 45–339—PoDL PSE Control register bit definitions

Bit(s)	Name	Description	R/W ^a
13.0.15:23	Reserved	Value always 0	RO
13.0.2	<u>Enable cable resistance measurement</u>	<u>1 = Cable resistance measurement enabled</u> <u>0 = Cable resistance measurement disabled</u>	<u>R/W</u>
...			

^aR/W = Read/Write, RO = Read only

45.2.9.2 PoDL PSE Status 1 register (Register 13.1)

Change Table 45–340 as follows (unchanged rows not shown):

Table 45–340—PoDL PSE Status 1 register bit definitions

Bit(s)	Name	Description	R/W ^a																																																																																					
...																																																																																								
13.1.9:7	PSE Type	<table border="0"> <tr> <td>9</td> <td>8</td> <td>7</td> <td></td> </tr> <tr> <td>1</td> <td>x1</td> <td>x</td> <td>= Reserved</td> </tr> <tr> <td>1</td> <td>0</td> <td>1</td> <td>= Reserved</td> </tr> <tr> <td>1</td> <td>0</td> <td>0</td> <td>= Type E PSE</td> </tr> <tr> <td>0</td> <td>1</td> <td>1</td> <td>= Type D PSE</td> </tr> <tr> <td>0</td> <td>1</td> <td>0</td> <td>= Type C PSE</td> </tr> <tr> <td>0</td> <td>0</td> <td>1</td> <td>= Type B PSE</td> </tr> <tr> <td>0</td> <td>0</td> <td>0</td> <td>= Type A PSE</td> </tr> </table>	9	8	7		1	x1	x	= Reserved	1	0	1	= Reserved	1	0	0	= Type E PSE	0	1	1	= Type D PSE	0	1	0	= Type C PSE	0	0	1	= Type B PSE	0	0	0	= Type A PSE	RO																																																					
9	8	7																																																																																						
1	x1	x	= Reserved																																																																																					
1	0	1	= Reserved																																																																																					
1	0	0	= Type E PSE																																																																																					
0	1	1	= Type D PSE																																																																																					
0	1	0	= Type C PSE																																																																																					
0	0	1	= Type B PSE																																																																																					
0	0	0	= Type A PSE																																																																																					
13.1.6:3	PD Class	<table border="0"> <tr> <td>6</td> <td>5</td> <td>4</td> <td>3</td> <td></td> </tr> <tr> <td>1</td> <td>1</td> <td>x1</td> <td>x1</td> <td>= ReservedExtend to PoDL PSE status 2 register</td> </tr> <tr> <td>1</td> <td>1</td> <td>1</td> <td>0</td> <td>= Class code 14</td> </tr> <tr> <td>1</td> <td>1</td> <td>0</td> <td>1</td> <td>= Class code 13</td> </tr> <tr> <td>1</td> <td>1</td> <td>0</td> <td>0</td> <td>= Class code 12</td> </tr> <tr> <td>1</td> <td>0</td> <td>1</td> <td>x1</td> <td>= ReservedClass code 11</td> </tr> <tr> <td>1</td> <td>0</td> <td>1</td> <td>0</td> <td>= Class code 10</td> </tr> <tr> <td>1</td> <td>0</td> <td>0</td> <td>1</td> <td>= Class code 9</td> </tr> <tr> <td>1</td> <td>0</td> <td>0</td> <td>0</td> <td>= Class code 8</td> </tr> <tr> <td>0</td> <td>1</td> <td>1</td> <td>1</td> <td>= Class code 7</td> </tr> <tr> <td>0</td> <td>1</td> <td>1</td> <td>0</td> <td>= Class code 6</td> </tr> <tr> <td>0</td> <td>1</td> <td>0</td> <td>1</td> <td>= Class code 5</td> </tr> <tr> <td>0</td> <td>1</td> <td>0</td> <td>0</td> <td>= Class code 4</td> </tr> <tr> <td>0</td> <td>0</td> <td>1</td> <td>1</td> <td>= Class code 3</td> </tr> <tr> <td>0</td> <td>0</td> <td>1</td> <td>0</td> <td>= Class code 2</td> </tr> <tr> <td>0</td> <td>0</td> <td>0</td> <td>1</td> <td>= Class code 1</td> </tr> <tr> <td>0</td> <td>0</td> <td>0</td> <td>0</td> <td>= Class code 0</td> </tr> </table>	6	5	4	3		1	1	x1	x1	= ReservedExtend to PoDL PSE status 2 register	1	1	1	0	= Class code 14	1	1	0	1	= Class code 13	1	1	0	0	= Class code 12	1	0	1	x1	= ReservedClass code 11	1	0	1	0	= Class code 10	1	0	0	1	= Class code 9	1	0	0	0	= Class code 8	0	1	1	1	= Class code 7	0	1	1	0	= Class code 6	0	1	0	1	= Class code 5	0	1	0	0	= Class code 4	0	0	1	1	= Class code 3	0	0	1	0	= Class code 2	0	0	0	1	= Class code 1	0	0	0	0	= Class code 0	RO
6	5	4	3																																																																																					
1	1	x1	x1	= ReservedExtend to PoDL PSE status 2 register																																																																																				
1	1	1	0	= Class code 14																																																																																				
1	1	0	1	= Class code 13																																																																																				
1	1	0	0	= Class code 12																																																																																				
1	0	1	x1	= ReservedClass code 11																																																																																				
1	0	1	0	= Class code 10																																																																																				
1	0	0	1	= Class code 9																																																																																				
1	0	0	0	= Class code 8																																																																																				
0	1	1	1	= Class code 7																																																																																				
0	1	1	0	= Class code 6																																																																																				
0	1	0	1	= Class code 5																																																																																				
0	1	0	0	= Class code 4																																																																																				
0	0	1	1	= Class code 3																																																																																				
0	0	1	0	= Class code 2																																																																																				
0	0	0	1	= Class code 1																																																																																				
0	0	0	0	= Class code 0																																																																																				
...																																																																																								

^aRO = Read only, LH = Latching high

45.2.9.2.7 PSE Type (13.1.9:7)

Change 45.2.9.2.7 as follows:

Bits 13.1.9:7 report the PSE Type of the PSE as specified in 104.4.1. When read as 000, bits 13.1.9:7 indicate a Type A PSE; when read as 001, a Type B PSE is indicated; and when read as 010, a Type C PSE is indicated; and when read as 011, a Type D PSE is indicated; and when read as 100, a Type E PSE is indicated. Values of 101 and 11x are reserved.

45.2.9.2.8 PD Class (13.1.6:3)

Change the last sentence of 45.2.9.2.8 as follows:

When read as 0000, a Class 0 PD is indicated; when read as 0001, a Class 1 PD is indicated; when read as 0010, a Class 2 PD is indicated; when read as 0011, a Class 3 PD is indicated; when read as 0100, a Class 4 PD is indicated; when read as 0101, a Class 5 PD is indicated; when read as 0110, a Class 6 PD is

indicated; when read as 0111, a Class 7 PD is indicated; when read as 1000, a Class 8 PD is indicated; and when read as 1001, a Class 9 PD is indicated; when read as 1010, a Class 10 PD is indicated; when read as 1011, a Class 11 PD is indicated; when read as 1100, a Class 12 PD is indicated; when read as 1101, a Class 13 PD is indicated; when read as 1110, a Class 14 PD is indicated; and when read as 1111, the Class is indicated by the PD Extended Class (13.2.10:9) bits.

45.2.9.3 PoDL PSE Status 2 register (Register 13.2)

Change Table 45–341 as follows (unchanged rows not shown):

Table 45–341—PoDL PSE Status 2 register bit definitions

Bit(s)	Name	Description	R/W ^a																																				
...																																							
13.2.14:31	Reserved	Value always 0	RO																																				
13:2.10:9	PD Extended Class	<table border="0"> <tr> <td>10</td> <td>9</td> <td></td> </tr> <tr> <td>1</td> <td>1</td> <td>= Reserved</td> </tr> <tr> <td>1</td> <td>0</td> <td>= Reserved</td> </tr> <tr> <td>0</td> <td>1</td> <td>= Reserved</td> </tr> <tr> <td>0</td> <td>0</td> <td>= Class code 15</td> </tr> </table>	10	9		1	1	= Reserved	1	0	= Reserved	0	1	= Reserved	0	0	= Class code 15	RO																					
10	9																																						
1	1	= Reserved																																					
1	0	= Reserved																																					
0	1	= Reserved																																					
0	0	= Class code 15																																					
13.2.8:3	Reserved	Value always 0	RO																																				
13.2.2:0	PD Type	<table border="0"> <tr> <td>2</td> <td>1</td> <td>0</td> <td></td> </tr> <tr> <td>1</td> <td>1</td> <td>1</td> <td>= Unknown</td> </tr> <tr> <td>1</td> <td>1</td> <td>0</td> <td>= Reserved</td> </tr> <tr> <td>1</td> <td>0</td> <td>1</td> <td>= Reserved</td> </tr> <tr> <td>1</td> <td>0</td> <td>0</td> <td>= Type E PD</td> </tr> <tr> <td>0</td> <td>1</td> <td>1</td> <td>= Type D PD</td> </tr> <tr> <td>0</td> <td>1</td> <td>0</td> <td>= Type C PD</td> </tr> <tr> <td>0</td> <td>0</td> <td>1</td> <td>= Type B PD</td> </tr> <tr> <td>0</td> <td>0</td> <td>0</td> <td>= Type A PD</td> </tr> </table>	2	1	0		1	1	1	= Unknown	1	1	0	= Reserved	1	0	1	= Reserved	1	0	0	= Type E PD	0	1	1	= Type D PD	0	1	0	= Type C PD	0	0	1	= Type B PD	0	0	0	= Type A PD	RO
2	1	0																																					
1	1	1	= Unknown																																				
1	1	0	= Reserved																																				
1	0	1	= Reserved																																				
1	0	0	= Type E PD																																				
0	1	1	= Type D PD																																				
0	1	0	= Type C PD																																				
0	0	1	= Type B PD																																				
0	0	0	= Type A PD																																				

^aRO = Read only, LH = Latching high

Insert the following new subclause (45.2.9.3.1a) after 45.2.9.3.1:

45.2.9.3.1a PD Extended Class (13.2.10:9)

When bits 13.2.10:9 are read as 00, a Class 15 PD is indicated. Values of 01 and 1x are reserved.

45.2.9.3.2 PD Type (13.2.2:0)

Change the last two sentences of 45.2.9.3.2 as follows:

When read as 000, bits 13.2.2:0 indicate a Type A PD; when read as 001, a Type B PD is indicated; when read as 010, a Type C PD is indicated; and when read as 011, a Type D PD is indicated; and when read as 100, a Type E PD is indicated. Values of 101 and 110 are reserved.

Insert the following new subclauses (45.2.9.4 through 45.2.9.5.1, including Table 45-341a and Table 45-341b) after 45.2.9.3.2:

45.2.9.4 PoDL PSE Status 3 register (Register 13.3)

The PoDL PSE Status 3 Register is defined if cable resistance measurement is supported.

Table 45–341a—PoDL PSE Status 3 register bit definitions

Bit(s)	Name	Description	R/W ^a
13.3.15:12	Reserved	Value always zero	RO
13.3.11:0	PD Assigned Power	PD Assigned Power, 0.025 W per LSB	RO

^aRO = Read only

45.2.9.4.1 PD Assigned Power (13.3.11:0)

The PD Assigned Power is the maximum average available power at the PD PI.

45.2.9.5 PoDL PSE Status 4 register (Register 13.4)

The PoDL PSE Status 4 Register is defined if cable resistance measurement is supported.

Table 45–341b—PoDL PSE Status 4 register bit definitions

Bit(s)	Name	Description	R/W ^a
13.4.15:12	Reserved	Value always zero	RO
13.4.11:0	PD Requested Power	PD Requested Power, 0.025 W per LSB	RO

^aRO = Read only

45.2.9.5.1 PD Requested Power (13.4.11:0)

The PD Requested Power is the requested average available power at the PD PI.

**45.5 Protocol implementation conformance statement (PICS) proforma for
 Clause 45, Management Data Input/Output (MDIO) interface⁶**

45.5.3 PICS proforma tables for the Management Data Input Output (MDIO) interface

45.5.3.3 PMA/PMD management functions

Insert the following new rows after the MM151 row in the table in 45.5.3.3:

Item	Feature	Subclause	Value/Comment	Status	Support
MM152	Bits 1.2100.3:0 are ignored when Auto-Negotiation enable bit 7.512.12 is set to one	45.2.1.185.2		PMA:M	Yes [] N/A []
MM153	A reset sets all 10BASE-T1L PMA registers to their default states	45.2.1.186a.1		PMA:M	Yes [] N/A []
MM154	10BASE-T1L PMA returns a one in bit 1.2294.15 when a reset is in progress; otherwise, it returns a value of zero	45.2.1.186a.1		PMA:M	Yes [] N/A []
MM155	The control and management interface is restored to operation within 0.5 s from the setting of bit 1.2294.15	45.2.1.186a.1		PMA:M	Yes [] N/A []
MM156	During a reset, the 10BASE-T1L PMA responds to reads from register bits 1.2294.15, 1.8.15:14, and 1.0.15	45.2.1.186a.1		PMA:M	Yes [] N/A []
MM157	Setting either 1.2294.15 or 1.0.15 sets the other	45.2.1.186a.1		PMA:M	Yes [] N/A []
MM158	Clearing either 1.2294.15 or 1.0.15 clears the other	45.2.1.186a.1		PMA:M	Yes [] N/A []
MM159	Setting either 1.2294.15 or 1.0.15 resets the 10BASE-T1L PMA	45.2.1.186a.1		PMA:M	Yes [] N/A []
MM160	When bit 1.2294.14 is set to one, the 10BASE-T1L PMA disables output on the transmit path	45.2.1.186a.2		PMA:M	Yes [] N/A []
MM161	When bit 1.2294.14 is set to zero, the 10BASE-T1L PMA enables output on the transmit path	45.2.1.186a.2		PMA:M	Yes [] N/A []
MM162	Setting either 1.2294.14 or 1.9.0 sets the other	45.2.1.186a.2		PMA:M	Yes [] N/A []
MM163	Clearing either 1.2294.14 or 1.9.0 clears the other	45.2.1.186a.2		PMA:M	Yes [] N/A []
MM164	Setting either 1.2294.14 or 1.9.0 disables the transmitter	45.2.1.186a.2		PMA:M	Yes [] N/A []

⁶Copyright release for PICS proformas: Users of this standard may freely reproduce the PICS proforma in this subclause so that it can be used for its intended purpose and may further publish the completed PICS.

Item	Feature	Subclause	Value/Comment	Status	Support
MM165	10BASE-T1L Transmit voltage amplitude control when Auto-Negotiation is not implemented or is not enabled	45.2.1.186a.3	1 = 10BASE-T1L PMA transmits using 2.4 V _{pp} operating mode 0 = 10BASE-T1L PMA transmits using 1.0 V _{pp} operating mode	PMA:M	Yes [] N/A []
MM166	When Auto-Negotiation is implemented and enabled, setting bit 1.2294.12 has no effect	45.2.1.186a.3		PMA:M	Yes [] N/A []
MM167	While in low-power mode, the device responds to management transactions necessary to exit the low-power mode	45.2.1.186a.4		PMA:M	Yes [] N/A []
MM168	Setting either 1.2294.11 or 1.0.11 sets the other	45.2.1.186a.4		PMA:M	Yes [] N/A []
MM169	Clearing either 1.2294.11 or 1.0.11 clears the other	45.2.1.186a.4		PMA:M	Yes [] N/A []
MM170	Setting either 1.2294.11 or 1.0.11 puts the 10BASE-T1L PMA in low-power mode	45.2.1.186a.4		PMA:M	Yes [] N/A []
MM171	10BASE-T1L EEE functionality when Auto-Negotiation is not implemented or is not enabled	45.2.1.186a.5	1 = PHY operates with EEE enabled 0 = PHY operates with EEE disabled	PMA:M	Yes [] N/A []
MM172	When Auto-Negotiation is implemented and enabled, setting bit 1.2294.10 has no effect	45.2.1.186a.5		PMA:M	Yes [] N/A []
MM173	When bit 1.2294.0 is set to one, the 10BASE-T1L PMA is placed into near-end loopback mode, and it accepts data on the transmit path and returns it on the receive path	45.2.1.186a.6		PMA:M	Yes [] N/A []
MM174	Setting either 1.2294.0 or 1.0.0 sets the other	45.2.1.186a.6		PMA:M	Yes [] N/A []
MM175	Clearing either 1.2294.0 or 1.0.0 clears the other	45.2.1.186a.6		PMA:M	Yes [] N/A []
MM176	Setting either 1.2294.0 or 1.0.0 enables loopback	45.2.1.186a.6		PMA:M	Yes [] N/A []
MM177	The 10BASE-T1L PMA that is unable to detect a fault condition on the receive path returns a value of zero for bit 1.2295.1	45.2.1.186b.7		PMA:M	Yes [] N/A []
MM178	The 10BASE-T1L PMA receive fault bit is implemented with latching high behavior	45.2.1.186b.7		PMA:M	Yes [] N/A []

ISO/IEC/IEEE 8802-3:2021/Amd.5:2021(E)

IEEE Std 802.3cg-2019
 IEEE Standard for Ethernet—Amendment 5: Physical Layer Specifications and Management Parameters for
 10 Mb/s Operation and Associated Power Delivery over a Single Balanced Pair of Conductors

Item	Feature	Subclause	Value/Comment	Status	Support
MM179	The 10BASE-T1L PMA receive link status bit is implemented with latching low behavior	45.2.1.186b.8		PMA:M	Yes [] N/A []
MM180	A reset sets all 10BASE-T1S PMA registers to their default states	45.2.1.186d.1		PMA:M	Yes [] N/A []
MM181	10BASE-T1S PMA returns a one in bit 1.2297.15 when a reset is in progress; otherwise, it returns a value of zero	45.2.1.186d.1		PMA:M	Yes [] N/A []
MM182	The control and management interface is restored to operation within 0.5 s from the setting of bit 1.2297.15	45.2.1.186d.1		PMA:M	Yes [] N/A []
MM183	During a reset, the 10BASE-T1S PMA responds to reads from register bits 1.2297.15, 1.8.15:14, and 1.0.15	45.2.1.186d.1		PMA:M	Yes [] N/A []
MM184	Setting either 1.2297.15 or 1.0.15 sets the other	45.2.1.186d.1		PMA:M	Yes [] N/A []
MM185	Clearing either 1.2297.15 or 1.0.15 clears the other	45.2.1.186d.1		PMA:M	Yes [] N/A []
MM186	Setting either 1.2297.15 or 1.0.15 resets the 10BASE-T1S PMA	45.2.1.186d.1		PMA:M	Yes [] N/A []
MM187	When bit 1.2297.14 is set to one, the 10BASE-T1S PMA disables output on the transmit path	45.2.1.186d.2		PMA:M	Yes [] N/A []
MM188	When bit 1.2297.14 is set to zero, the 10BASE-T1S PMA enables output on the transmit path	45.2.1.186d.2		PMA:M	Yes [] N/A []
MM189	Setting either 1.2297.14 or 1.0.14 sets the other	45.2.1.186d.2		PMA:M	Yes [] N/A []
MM190	Clearing either 1.2297.14 or 1.0.14 clears the other	45.2.1.186d.2		PMA:M	Yes [] N/A []
MM191	Setting either 1.2297.14 or 1.0.14 disables the transmitter	45.2.1.186d.2		PMA:M	Yes [] N/A []
MM192	While in low-power mode, the device responds to management transactions necessary to exit the low-power mode	45.2.1.186d.3		PMA:M	Yes [] N/A []
MM193	Setting either 1.2297.11 or 1.0.11 sets the other	45.2.1.186d.3		PMA:M	Yes [] N/A []
MM194	Clearing either 1.2297.11 or 1.0.11 clears the other	45.2.1.186d.3		PMA:M	Yes [] N/A []
MM195	Setting either 1.2297.11 or 1.0.11 puts the 10BASE-T1S PMA in low-power mode	45.2.1.186d.3		PMA:M	Yes [] N/A []

Item	Feature	Subclause	Value/Comment	Status	Support
MM196	When bit 1.2297.10 is set to one, the 10BASE-T1S PMA is configured to operate in multidrop mode	45.2.1.186d.4		PMA:M	Yes [] N/A []
MM197	If multidrop mode is not supported according to bit 1.2298.10, writing to bit 1.2297.10 has no effect, and the PCS operates in half duplex mode with bits 3.2291.8 and 0.8 set to one	45.2.1.186d.4		PMA:M	Yes [] N/A []
MM198	When bit 1.2297.0 is set to one, the 10BASE-T1S PMA is placed into loopback mode, and it accepts data on the transmit path and returns it on the receive path	45.2.1.186d.5		PMA:M	Yes [] N/A []
MM199	Setting either 1.2297.0 or 1.0.0 sets the other	45.2.1.186d.5		PMA:M	Yes [] N/A []
MM200	Clearing either 1.2297.0 or 1.0.0 clears the other	45.2.1.186d.5		PMA:M	Yes [] N/A []
MM201	Setting either 1.2297.0 or 1.0.0 enables loopback	45.2.1.186d.5		PMA:M	Yes [] N/A []
MM202	The 10BASE-T1S PMA that is unable to detect a fault condition on the receive path returns a value of zero for bit 1.2298.1	45.2.1.186e.5		PMA:M	Yes [] N/A []
MM203	The 10BASE-T1S PMA receive fault bit is implemented with latching high behavior	45.2.1.186e.5		PMA:M	Yes [] N/A []

45.5.3.7 PCS management functions

Insert the following new rows after the RM157 row in the table in 45.5.3.7:

Item	Feature	Subclause	Value/Comment	Status	Support
RM158	This action sets all 10BASE-T1L PCS registers to their default states	45.2.3.68a.1		PCS:M	Yes [] N/A []
RM159	The 10BASE-T1L PCS returns a value of one in bit 3.2278.15 when a reset is in progress; otherwise, returns a value of zero	45.2.3.68a.1		PCS:M	Yes [] N/A []
RM160	The control and management interface is restored to operation within 0.5 s from the setting of bit 3.2278.15	45.2.3.68a.1		PCS:M	Yes [] N/A []
RM161	During a reset, the 10BASE-T1L PCS responds to reads from register bits 3.0.15, 3.8.15:14, and 3.2278.15; reads for all other bits are ignored	45.2.3.68a.1		PCS:M	Yes [] N/A []
RM162	Setting either 3.2278.15 or 3.0.15 sets the other	45.2.3.68a.1		PCS:M	Yes [] N/A []
RM163	Clearing either 3.2278.15 or 3.0.15 clears the other	45.2.3.68a.1		PCS:M	Yes [] N/A []
RM164	Setting either 3.2278.15 or 3.0.15 resets the 10BASE-T1L PCS	45.2.3.68a.1		PCS:M	Yes [] N/A []
RM165	When bit 3.2278.14 is set to one, the 10BASE-T1L PCS is set to loopback mode, and it accepts data on the transmit path and returns it on the receive path	45.2.3.68a.2		PCS:M	Yes [] N/A []
RM166	Setting either 3.2278.14 or 3.0.14 sets the other	45.2.3.68a.2		PCS:M	Yes [] N/A []
RM167	Clearing either 3.2278.14 or 3.0.14 clears the other	45.2.3.68a.2		PCS:M	Yes [] N/A []
RM168	Setting either 3.2278.14 or 3.0.14 enables loopback	45.2.3.68a.2		PCS:M	Yes [] N/A []
RM169	A write to the 10BASE-T1L PCS status 1 register has no effect	45.2.3.68b		PCS:M	Yes [] N/A []
RM170	Bit 3.2279.11 is implemented with latching high behavior	45.2.3.68b.1		PCS:M	Yes [] N/A []
RM171	Bit 3.2279.10 is implemented with latching high behavior	45.2.3.68b.2		PCS:M	Yes [] N/A []
RM172	Bit 3.2279.7 is implemented with latching high behavior	45.2.3.68b.5		PCS:M	Yes [] N/A []
RM173	Bit 3.2279.2 is implemented with latching low behavior	45.2.3.68b.6		PCS:M	Yes [] N/A []
RM174	This action sets all 10BASE-T1S PCS registers to their default states	45.2.3.68c.1		PCS:M	Yes [] N/A []

Item	Feature	Subclause	Value/Comment	Status	Support
RM175	The 10BASE-T1S PCS returns a value of one in bit 3.2291.15 when a reset is in progress; otherwise, returns a value of zero	45.2.3.68c.1		PCS:M	Yes [] N/A []
RM176	The control and management interface is restored to operation within 0.5 s from the setting of bit 3.2291.15	45.2.3.68c.1		PCS:M	Yes [] N/A []
RM177	During a reset, the 10BASE-T1S PCS responds to reads from register bits 3.0.15, 3.8.15:14, and 3.2291.15; reads for all other bits are ignored	45.2.3.68c.1		PCS:M	Yes [] N/A []
RM178	Setting either 3.2291.15 or 3.0.15 sets the other	45.2.3.68c.1		PCS:M	Yes [] N/A []
RM179	Clearing either 3.2291.15 or 3.0.15 clears the other	45.2.3.68c.1		PCS:M	Yes [] N/A []
RM180	Setting either 3.2291.15 or 3.0.15 resets the 10BASE-T1S PCS	45.2.3.68c.1		PCS:M	Yes [] N/A []
RM181	When bit 3.2291.14 is set to one, the 10BASE-T1S PCS is set to loopback mode, and it accepts data on the transmit path and returns it on the receive path	45.2.3.68c.2		PCS:M	Yes [] N/A []
RM182	Setting either 3.2291.14 or 3.0.14 sets the other	45.2.3.68c.2		PCS:M	Yes [] N/A []
RM183	Clearing either 3.2291.14 or 3.0.14 clears the other	45.2.3.68c.2		PCS:M	Yes [] N/A []
RM184	Setting either 3.2291.14 or 3.0.14 enables loopback	45.2.3.68c.2		PCS:M	Yes [] N/A []
RM185	Bit 3.2291.8 or 0.8 is ignored when the Auto-Negotiation enable bit 7.512.12 is set to one	45.2.3.68c.3		PCS:M	Yes [] N/A []
RM186	Setting either 3.2291.8 or 0.8 sets the other	45.2.3.68c.3		PCS:M	Yes [] N/A []
RM187	Clearing either 3.2291.8 or 0.8 clears the other	45.2.3.68c.3		PCS:M	Yes [] N/A []
RM188	The 10BASE-T1S PCS fault bit is implemented with latching high behavior	45.2.3.68d.1		PCS:M	Yes [] N/A []
RM189	A write to the 10BASE-T1S PCS status register has no effect	45.2.3.68d		PCS:M	Yes [] N/A []
RM190	A write to the 10BASE-T1S PCS diagnostic register has no effect	45.2.3.68e		PCS:M	Yes [] N/A []
RM191	Remote jabber count does not wrap	45.2.3.68e.1		PCS:M	Yes [] N/A []
RM192	Writes to PCS diagnostic 2 register have no effect	45.2.3.68f		PCS:M	Yes [] N/A []

45.5.3.9 Auto-Negotiation management functions

Insert the following new rows after the AM93 row in the table in 45.5.3.9:

Item	Feature	Subclause	Value/Comment	Status	Support
AM94	When bit 7.526.15 is set to one, the PHY advertises 10BASE-T1L capability	45.2.7.25.1		AN:M	Yes [] N/A []
AM95	When bit 7.526.15 is set to zero, the PHY does not advertise 10BASE-T1L capability	45.2.7.25.1		AN:M	Yes [] N/A []
AM96	If a 10BASE-T1L PHY supports EEE ability and desires to operate in EEE mode, bit 7.526.14 is set to one	45.2.7.25.2		AN:M	Yes [] N/A []
AM97	If a 10BASE-T1L PHY supports the 2.4 Vpp operating mode, bit 7.526.13 is set to one	45.2.7.25.3		AN:M	Yes [] N/A []
AM98	When bit 7.526.12 is set to one, a request to operate the 10BASE-T1L PHY in increased transmit level mode is advertised	45.2.7.25.4		AN:M	Yes [] N/A []
AM99	When bit 7.526.12 is set to zero, a request to operate the 10BASE-T1L PHY in increased transmit level mode is not advertised	45.2.7.25.4		AN:M	Yes [] N/A []
AM100	When bit 7.526.7 is set to one, the PHY advertises 10BASE-T1S full duplex ability	45.2.7.25.5		AN:M	Yes [] N/A []
AM101	When bit 7.526.7 is set to zero, the PHY does not advertise 10BASE-T1S full duplex ability	45.2.7.25.5		AN:M	Yes [] N/A []
AM102	When bit 7.526.6 is set to one, the PHY advertises 10BASE-T1S halfduplex capability	45.2.7.25.6		AN:M	Yes [] N/A []
AM103	When bit 7.526.6 is set to zero, the PHY does not advertise 10BASE-T1S half duplex capability	45.2.7.25.6		AN:M	Yes [] N/A []
AM104	Writing to the 10BASE-T1 AN status register has no effect	45.2.7.26		AN:M	Yes [] N/A []
AM105	When the AN process is complete, the 10BASE-T1 AN status register reflects the contents of the link partner's 10BASE-T1 AN control register	45.2.7.26		AN:M	Yes [] N/A []

78. Energy-Efficient Ethernet (EEE)

78.1 Overview

78.1.4 PHY types optionally supporting EEE

Insert the following new row after the 10BASE-T_e row in Table 78–1:

Table 78–1—Clauses associated with each PHY or interface type

PHY or interface type	Clause
10BASE-T1L	146

78.2 LPI mode timing parameters description

Insert the following new row at the beginning of Table 78–2:

Table 78–2—Summary of the key EEE parameters for supported PHYs or interfaces

PHY or interface type	T_s (μs)		T_q (μs)		T_r (μs)	
	Min	Max	Min	Max	Min	Max
10BASE-T1L	20	20	6 000	6 000	250	250

78.5 Communication link access latency

Insert the following new row at the beginning of Table 78–4:

Table 78–4—Summary of the LPI timing parameters for supported PHYs or interfaces

PHY or interface type	Case	$T_{w_sys_tx}$ (min) (μs)	T_{w_phy} (min) (μs)	$T_{phy_shrink_tx}$ (max) (μs)	$T_{phy_shrink_rx}$ (max) (μs)	$T_{w_sys_rx}$ (min) (μs)
10BASE-T1L		270	250.5	10	240	20

98. Auto-Negotiation for single differential-pair media

98.2 Functional specifications

98.2.1 Transmit function requirements

Insert the following new paragraph at the end of the introductory text of 98.2.1:

Two different Auto-Negotiation speeds are defined in this subclause. A PHY shall support at least one of these Auto-Negotiation speeds. The two speeds are referred to as *high-speed mode*, or HSM, and *low-speed mode*, or LSM. If Auto-Negotiation is implemented, 1000BASE-T1, 100BASE-T1, and 10BASE-T1S PHYs shall support HSM and may optionally support LSM. For link segments with high insertion loss and those requiring 10BASE-T1L, LSM is provided to enable the full reach capability. If Auto-Negotiation is implemented, 10BASE-T1L PHYs shall support LSM and may optionally support HSM. When performing Auto-Negotiation in high-speed mode, DME pages are transmitted at a nominal rate of 16.667 Mb/s. In low-speed mode, DME pages are transmitted at a nominal rate of 625 kb/s. Subclause 98.5.6 describes the behavior to automatically choose between the different Auto-Negotiation speeds when a PHY supports both.

98.2.1.1 DME transmission

98.2.1.1.1 DME page encoding

Change the second paragraph in 98.2.1.1.1 as follows:

The first 26 transition positions contain the Start Delimiter, which marks the beginning of the page. The Start Delimiter contains a transition from quiet to active at position 1. For HSM Auto-Negotiation, this transition is followed by transitions at positions 2, 3, 5, 7, 8, 12, 13, 14, 15, 19, 21, 24, 25, 26 and no transitions at the remaining positions. For LSM Auto-Negotiation, this transition is followed by transitions at positions 2, 3, 4, 5, 6, 7, 8, 9, 11, 13, 15, 16, 18, 19, 20, 22, 23, 24, 26 and no transitions at the remaining positions.

98.2.1.1.2 DME page timing

Change the first paragraph in 98.2.1.1.2 as follows:

The timing parameters for DME pages shall be followed as in Table 98–1. The transition positions within a DME page are spaced with a period of T1. T2 is the separation between clock transitions. T3 is the time from a clock transition to a data transition representing a one. The period, T1, shall be 30.0 ns ± 0.01%. Transitions shall occur within ± 0.8 ns of their ideal positions. When operating in high-speed mode, transitions shall occur within ± 0.8 ns of their ideal positions. When operating in low-speed mode, transitions shall occur within ± 10 ns of their ideal positions.

Change Table 98-1 as follows:

Table 98–1—DME page timing summary

	Parameters	Mode	Min	Typ	Max	Units
T1	Transmit position spacing (period)	high-speed	29.997	30	30.003	ns
		low-speed	799.96	800	800.04	
T2	Clock transition to clock transition	high-speed	59.8	60	60.2	ns
		low-speed	1590	1600	1610	
T3	Clock transition to data transition (data = 1)	high-speed	29.9	30	30.1	ns
		low-speed	795	800	805	
T4a	+1 to -1 or -1 to +1 transitions in a DME page	high-speed	79	—	143	—
		low-speed	84	—	148	
T4b	0 to ±1 or ±1 to 0 transitions in a DME page	high-speed	2	2	2	—
		low-speed	2	2	2	
T5	DME page width	high-speed	4679	4680	4681	ns
		low-speed	124 793	124 800	124 807	

98.2.1.1.3 DME page Delimiters

Change the first paragraph in 98.2.1.1.3 as follows:

The page is preceded by a unique Start Delimiter consisting of a 26 × T1 sequence that includes multiple DME transition violations. For a Start Delimiter starting with a 0 to +1 transition, the bit sequence for high-speed Auto-Negotiation mode is

+1 -1 +1 +1 -1 -1 +1 -1 -1 -1 -1 +1 -1 +1 -1 -1 -1 -1 +1 +1 -1 -1 -1 +1 -1 +1.

Insert the following new paragraph after the first paragraph in 98.2.1.1.3:

For a Start Delimiter starting with a 0 to +1 transition, the bit sequence for low-speed Auto-Negotiation mode is

+1 -1 +1 -1 +1 -1 +1 -1 +1 +1 -1 -1 +1 +1 -1 +1 +1 -1 +1 -1 -1 +1 -1 +1 +1 -1.

98.5 Detailed functions and state diagrams

98.5.1 State diagram variables

Insert the following new variable after the variable `an_receive_idle`:

ANSP

This variable contains the type of the selected Auto-Negotiation speed.

Values:

HSM: high-speed mode

LSM: low-speed mode

Insert the following new variable after the variable `mr_restart_negotiation`:

`multispeed_autoneg_reset`

See 98.5.6.1.

Change the variable `power_on` as follows:

`power_on`

Condition that is true until such time as the power supply for the device that contains the Auto-Negotiation state diagrams has reached the operating region or the device has low-power mode set via 1000BASE-T1 PMA control register bit 1.2304.11 or via 10BASE-T1L PMA control register bit 1.2294.11.

Values:

false: the device is completely powered (default)

true: the device has not been completely powered

98.5.2 State diagram timers

Change 98.5.2 as follows:

All timers operate in the manner described in 40.4.5.2.

When operating in high-speed mode, the following timer value definitions shall apply:

`backoff_timer_[HSM]`

Timer for the random amount of time to wait for a page to arrive from the link partner before transmitting a page. The timer shall expire according to the formula below after being started.

If T[4] bit is 1, then the timer duration is set as (6805 ns to 6925 ns) + (random integer from 0 to 15) × (2120 ns to 2240 ns).

If T[4] bit is 0, then the timer duration is set as (7895 ns to 8015 ns) + (random integer from 0 to 15) × (2120 ns to 2240 ns).

A new random integer from 0 to 15 inclusive is generated every time the `backoff_timer_[HSM]` is started. The random value should be uniformly distributed.

`blind_timer_[HSM]`

Timer for the amount of time to blind the receiver after end of transmission to prevent the device from seeing its own echo. The timer shall expire 2000 ns to 2120 ns after being started.

`break_link_timer_[HSM]`

Timer for the amount of time to wait in order `TRANSMIT DISABLE` to assure that the link partner will exit from either `ACKNOWLEDGE DETECT` or `NEXT PAGE WAIT`; effect on the link partner in other states is not defined. The timer shall expire 300 μs to 305 μs after being started.

clock_detect_max_timer [HSM]

Timer for the maximum time between detection of differential Manchester clock transitions. The clock_detect_max_timer [HSM] shall expire 63 ns to 75 ns after being started or restarted.

clock_detect_min_timer [HSM]

Timer for the minimum time between detection of differential Manchester clock transitions. The clock_detect_min_timer [HSM] shall expire 45 ns to 57 ns after being started or restarted.

data_detect_max_timer [HSM]

Timer for the maximum time between a clock transition and the following data transition. This timer is used in conjunction with the data_detect_min_timer [HSM] to detect whether the data bit between two clock transitions is a logical zero or a logical one. The data_detect_max_timer [HSM] shall expire 33 ns to 45 ns from the last clock transition.

data_detect_min_timer [HSM]

Timer for the minimum time between a clock transition and the following data transition. This timer is used in conjunction with the data_detect_max_timer [HSM] to detect whether the data bit between two clock transitions is a logical zero or a logical one. The data_detect_min_timer [HSM] shall expire 15 ns to 27 ns from the last clock transition.

interval_timer [HSM]

Timer for the separation of a transmitted clock pulse from a data bit. The interval_timer [HSM] shall expire 30 ns \pm 0.01% from each clock pulse and data bit.

link_fail_inhibit_timer

Timer for qualifying a link_status=FAIL indication or a link_status=OK indication when a specific technology link is first being established. A link will only be considered “failed” if the link_fail_inhibit_timer has expired and the link has still not gone into the link_status=OK state. The link_fail_inhibit_timer shall expire 97 ms to 98 ms after entering the AN GOOD CHECK state.

~~NOTE The link_fail_inhibit_timer expiration value is greater than the time required for the link partner to complete Auto Negotiation after the local device has completed Auto Negotiation plus the time required for the specific technology to enter the link_status=OK state.~~

page_test_max_timer [HSM]

Timer for the maximum time between detection of start and end delimiters. The page_test_max_timer [HSM] shall expire 4800 ns to 4920 ns after being started or restarted.

receive_DME_timer [HSM]

Timer for the maximum amount of time to receive a complete page before timeout. The timer shall expire 6805 ns to 6925 ns after being started.

rx_wait_timer [HSM]

Timer for the maximum time between detection of DME pages. This timer is used to detect whether the link partner is transmitting DME pages. The rx_wait_timer [HSM] shall expire 15 μ s to 17 μ s after being started or restarted.

silent_timer [HSM]

Timer for the amount of time to wait after receiving a page before transmitting a page. The timer shall expire 2120 ns to 2240 ns after being started.

When operating in low-speed mode, the following timer value definitions shall apply:

backoff_timer [LSM]

Timer for the random amount of time to wait for a page to arrive from the link partner before transmitting a page. The timer shall expire according to the formula below after being started. If T[4] bit is 1, the timer duration is (156 300 ns to 159 500 ns) + (random integer from 0 to 15) \times (31 400 ns to 34 600 ns).

If T[4] bit is 0, the timer duration is (172 800 ns to 176 000 ns) + (random integer from 0 to 15) × (31 400 ns to 34 600 ns).

A new random integer from 0 to 15 inclusive is generated every time the backoff timer [LSM] is started. The random value should be uniformly distributed.

blind_timer [LSM]

Timer for the amount of time to blind the receiver after end of transmission to prevent the device from seeing its own echo. The timer shall expire 28 200 ns to 31 400 ns after being started.

break_link_timer [LSM]

Timer for the amount of time to wait in TRANSMIT DISABLE to assure that the link partner will exit from either ACKNOWLEDGE DETECT or NEXT PAGE WAIT; effect on the link partner in other states is not defined. The timer shall expire 8000 μs to 8133 μs after being started.

clock_detect_max_timer [LSM]

Timer for the maximum time between detection of differential Manchester clock transitions. The clock_detect_max_timer [LSM] shall expire 1680 ns to 2000 ns after being started or restarted.

clock_detect_min_timer [LSM]

Timer for the minimum time between detection of differential Manchester clock transitions. The clock_detect_min_timer [LSM] shall expire 1200 ns to 1520 ns after being started or restarted.

data_detect_max_timer [LSM]

Timer for the maximum time between a clock transition and the following data transition. This timer is used in conjunction with the data_detect_min_timer [LSM] to detect whether the data bit between two clock transitions is a logical zero or a logical one. The data_detect_max_timer [LSM] shall expire 880 ns to 1200 ns from the last clock transition.

data_detect_min_timer [LSM]

Timer for the minimum time between a clock transition and the following data transition. This timer is used in conjunction with the data_detect_max_timer [LSM] to detect whether the data bit between two clock transitions is a logical zero or a logical one. The data_detect_min_timer [LSM] shall expire 400 ns to 720 ns from the last clock transition.

interval_timer [LSM]

Timer for the separation of a transmitted clock pulse from a data bit. The interval_timer [LSM] shall expire 800 ns ± 0.005% from each clock pulse and data bit.

page_test_max_timer [LSM]

Timer for the maximum time between detection of start and end delimiters. The page_test_max_timer [LSM] shall expire 128 000 ns to 131 200 ns after being started or restarted.

receive_DME_timer [LSM]

Timer for the maximum amount of time to receive a complete page before timeout. The timer shall expire 156 300 ns to 159 500 ns after being started.

rx_wait_timer [LSM]

Timer for the maximum time between detection of DME pages. This timer is used to detect whether the link partner is transmitting DME pages. The rx_wait_timer [LSM] shall expire 330 μs to 370 μs after being started or restarted.

silent_timer [LSM]

Timer for the amount of time to wait after receiving a page before transmitting a page. The timer shall expire 31 400 ns to 34 600 ns after being started.

Depending on the selected PHY type, done by Auto-Negotiation, the following timer values shall be used:

link fail inhibit timer [HCD]

Timer for qualifying a link_status=FAIL indication or a link_status=OK indication when a specific technology link is first being established. A link will be considered "failed" only if the link_fail_inhibit_timer [HCD] has expired and the link has still not gone into the link_status=OK state. The expiration time of the link_fail_inhibit_timer [HCD] shall be dependent on the selected PHY type. For all PHY types, except 10BASE-T1L and 10BASE-T1S, this timer shall expire 97 ms to 98 ms after entering the AN GOOD CHECK state. For a 10BASE-T1L PHY, this timer shall expire 3030 ms to 3090 ms after entering the AN GOOD CHECK state. For a 10BASE-T1S PHY, this timer shall expire 400 ms to 405 ms after entering the AN GOOD CHECK state.

NOTE—The link fail inhibit timer [HCD] expiration value is greater than the time required for the link partner to complete Auto-Negotiation after the local device has completed Auto-Negotiation plus the time required for the specific technology to enter the link_status=OK state.

98.5.5 State diagrams

Replace Figure 98-7 with the following figure:

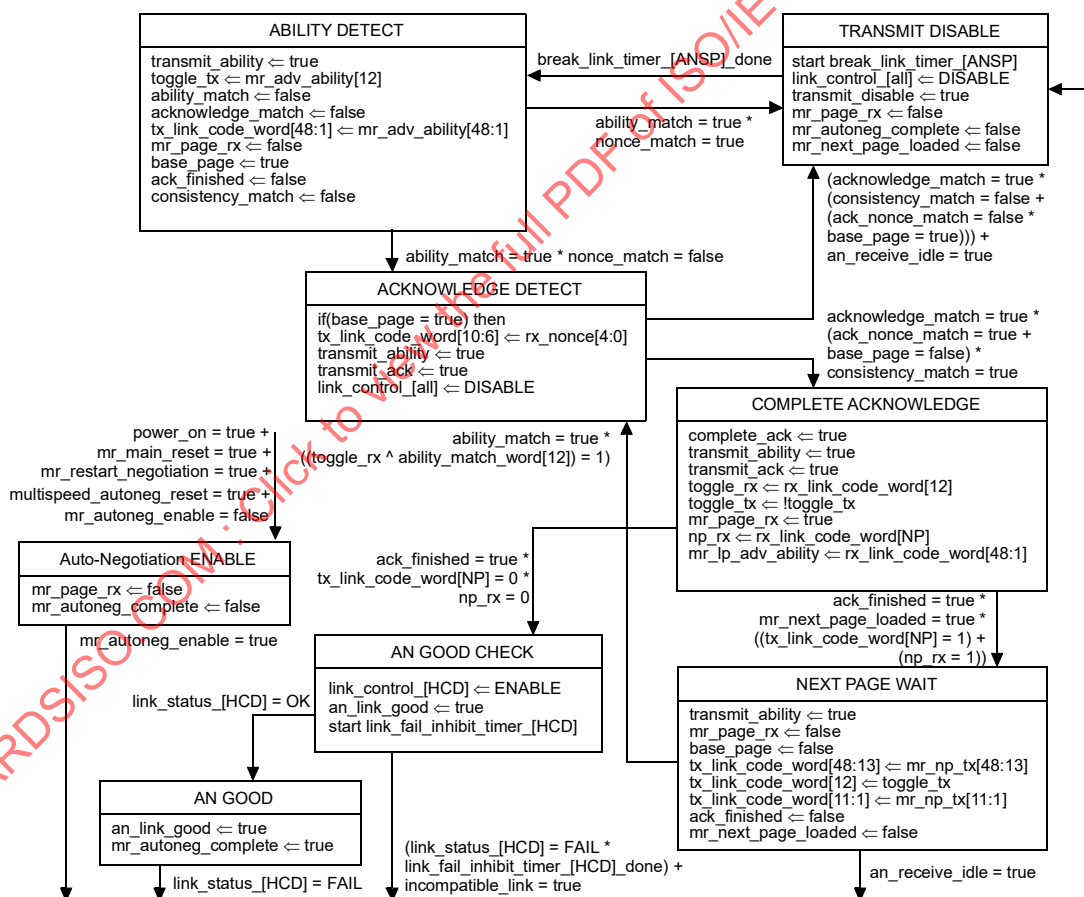


Figure 98-7—Arbitration state diagram

Replace Figure 98-8 with the following figure:

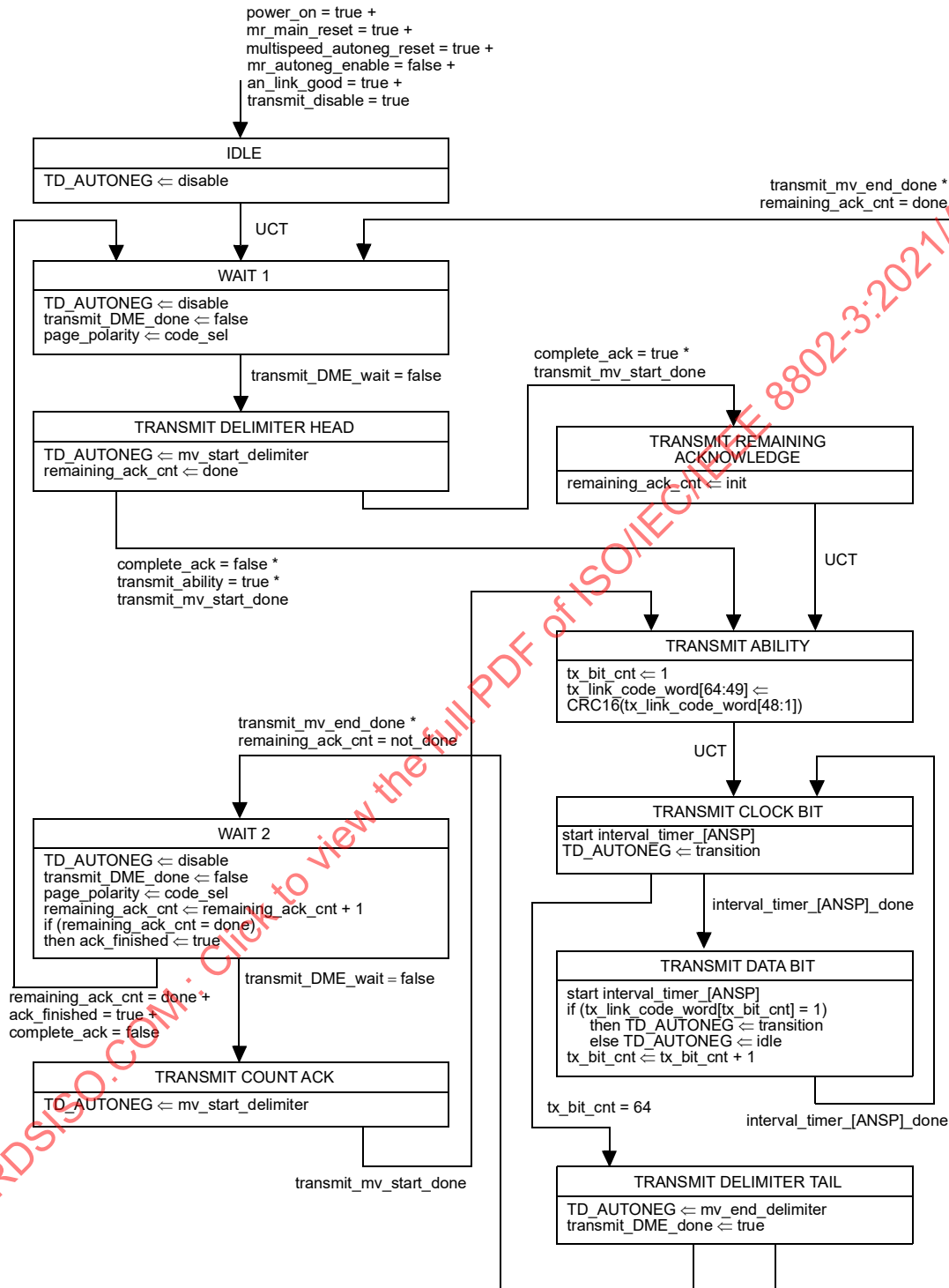


Figure 98-8—Transmit state diagram

Replace Figure 98-9 with the following figure:

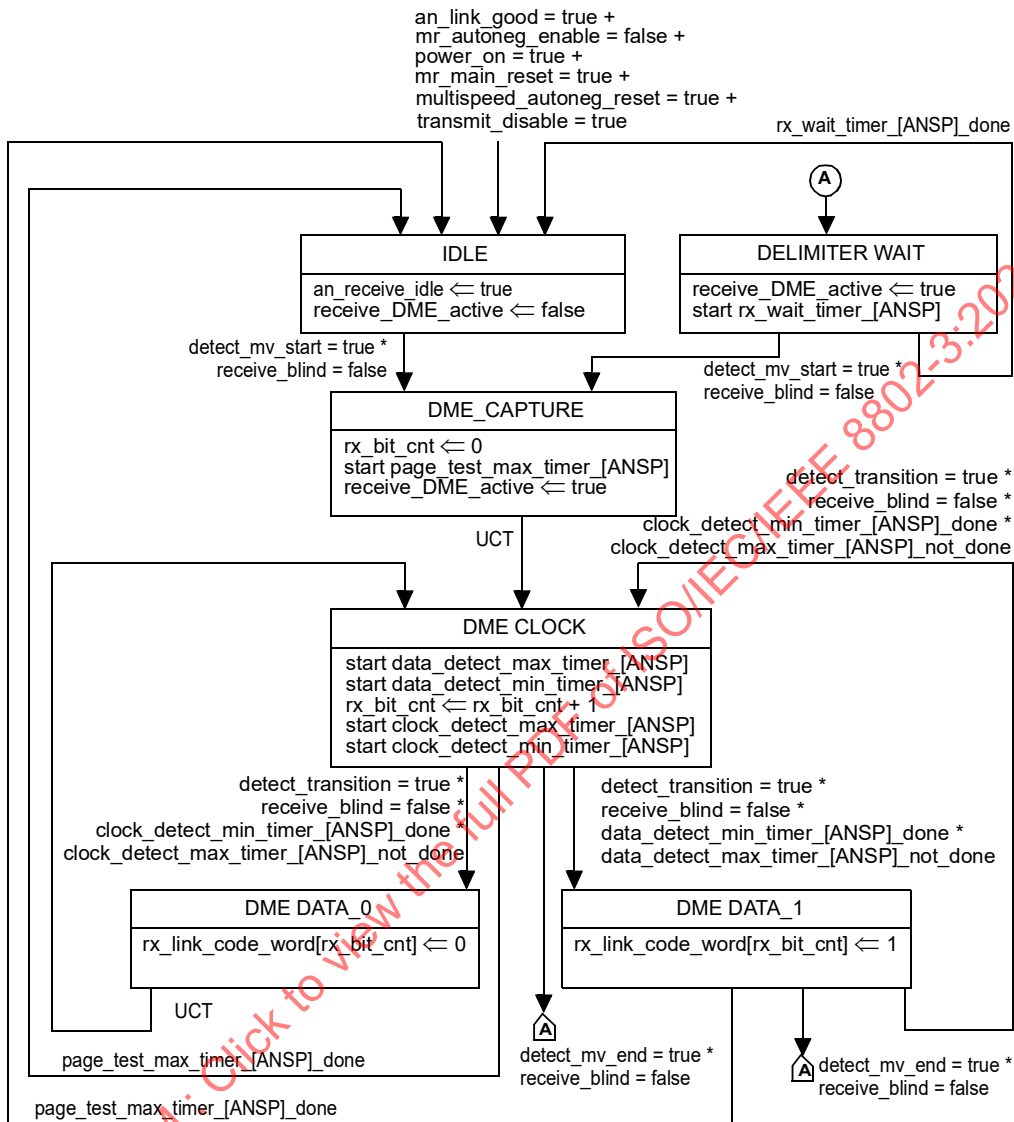


Figure 98-9—Receive state diagram

Replace Figure 98-10 with the following figure:

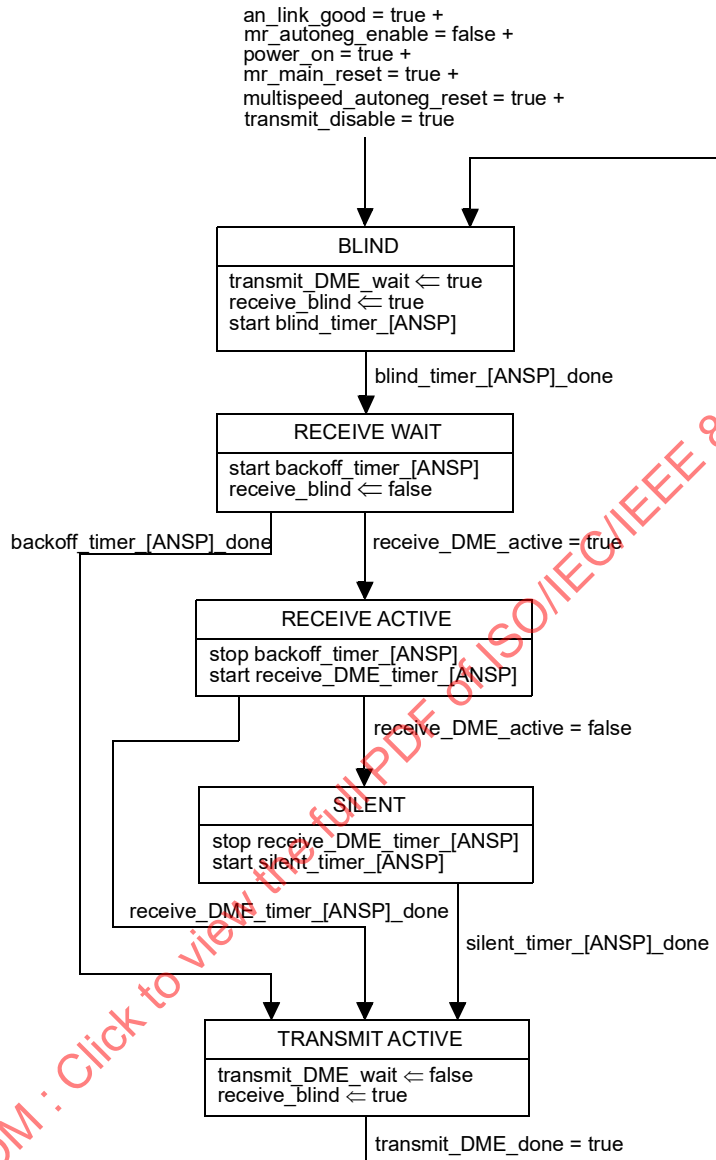


Figure 98–10—Half-duplex state diagram

Insert the following new subclauses (98.5.6 through 98.5.6.3, including Figure 98-11) after 98.5.5:

98.5.6 High-speed and low-speed Auto-Negotiation modes

A PHY supporting two different Auto-Negotiation speeds, as described in 98.2.1.1.2, shall implement the behavior shown in Figure 98–11. Figure 98–11 determines the mode used for the timers in Figure 98–7, Figure 98–8, Figure 98–9, Figure 98–10, and Figure 98–11 through the variable ANSP and synchronizes them through the variable multispeed_autoneg_reset.

A PHY supporting only one Auto-Negotiation speed shall implement the behavior as shown in Figure 98–7, Figure 98–8, Figure 98–9, and Figure 98–10, using the associated timer values for high-speed mode (HSM) or low-speed mode (LSM) Auto-Negotiation as described in 98.5.2.

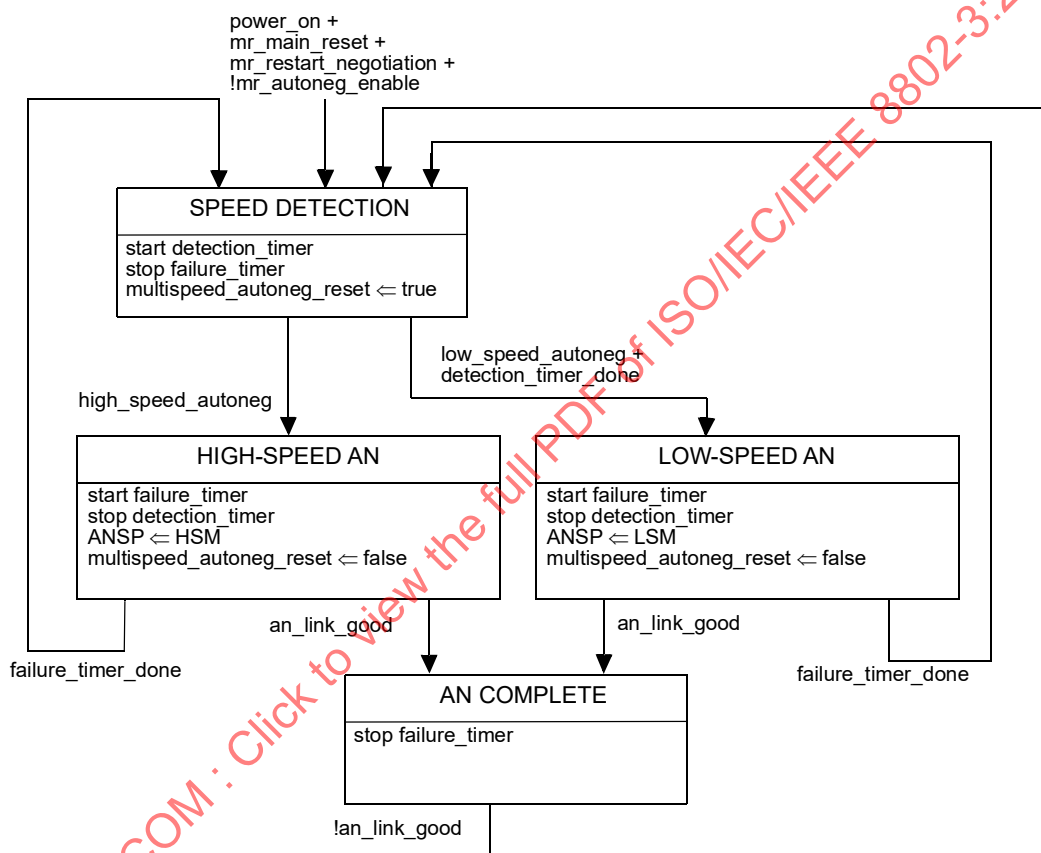


Figure 98–11—Auto-Negotiation—high-speed mode and low-speed mode selection

98.5.6.1 Variables

- an_link_good
See 98.5.1.
- ANSP
See 98.5.1.
- mr_autoneg_enable
See 98.5.1.

mr_main_reset

See 98.5.1.

mr_restart_negotiation

See 98.5.1.

multispeed_autoneg_reset

If two different Auto-Negotiation speeds are implemented and this variable is set to true by the state diagram in Figure 98–11, then the state diagrams in Figure 98–7, Figure 98–8, Figure 98–9, and Figure 98–10 are restarted. If only single speed Auto-Negotiation is implemented, then this variable remains set to false.

Values: true: Auto-Negotiation state diagrams are restarted
 false: Auto-Negotiation state diagrams are in normal operation

power_on

See 98.5.1.

98.5.6.2 Functions

high_speed_autoneg

This function returns true if at least the last 12 received DME pulses are within the allowed range for the high-speed Auto-Negotiation communication (15 ns to 135 ns pulse width) including the violations of the DME encoding within the start delimiter; otherwise, this function returns false.

Values: true or false

low_speed_autoneg

This function returns false if at least the last 12 received DME pulses are within the allowed range for the low-speed Auto-Negotiation communication (400 ns to 2000 ns pulse width) including the violations of the DME encoding within the start delimiter; otherwise, this function returns false.

Values: true or false

98.5.6.3 Timers

All timers operate in the manner described in 40.4.5.2.

detection_timer

This timer limits the maximum time for detection of Auto-Negotiation frames sent by the far end PHY, before starting to send its own Auto-Negotiation frames at low-speed. This timer is not automatically restarted after expiration. A new random integer from 0 to 15 inclusive is generated every time the detection_timer is started. The random value should be uniformly distributed.

Timer value: $(10 \text{ ms} \pm 0.1 \text{ ms}) + (\text{random integer from 0 to 15}) \times (0.5 \text{ ms} \pm 0.05 \text{ ms})$

failure_timer

This timer limits the maximum time for the underlying Auto-Negotiation state diagrams to complete the Auto-Negotiation process before restarting the Auto-Negotiation process. This timer is not automatically restarted after expiration.

Timer value: $250 \text{ ms} \pm 1 \text{ ms}$

**98.6 Protocol implementation conformance statement (PICS) proforma for
Clause 98, Auto-Negotiation for Single Differential-Pair Media⁷**

Insert the following new subclause (98.6.2a) after 98.6.2.2:

98.6.2a Major capabilities/options

Item	Feature	Subclause	Value/Comment	Status	Support
*ANSM	Auto-Negotiation Speed Mode	98.5.6		O	Yes [] No []
*HSM	High-Speed Mode	98.5.2, 98.5.6		O	Yes [] No []
*LSM	Low-Speed Mode	98.5.2, 98.5.6		O	Yes [] No []
*10T1L	10BASE-T1L PHY type	98.5.2		O	Yes [] No []
*10T1S	10BASE-T1S PHY type	98.5.2		O	Yes [] No []

98.6.3 General

Insert the following new rows at the end of the table in 98.6.3:

Item	Feature	Subclause	Value/Comment	Status	Support
G3	PHY support for High-Speed Mode	98.2.1, 98.5.6		ANSM: O.1	Yes [] No [] N/A []
G4	PHY support for Low-Speed Mode	98.2.1, 98.5.2, 98.5.6		ANSM: O.1	Yes [] No [] N/A []

98.6.4 DME transmission

Change the table in 98.6.4 as follows (unchanged rows not shown):

Item	Feature	Subclause	Value/Comment	Status	Support
...					
DME8	<u>The timing parameters for DME pages: DME page period, T₁</u>	98.2.1.1.2	30.0 ns ± 0.01% <u>See Table 98-1</u>	M	Yes []
DME9	<u>DME page transitions in high-speed mode</u>	98.2.1.1.2	Occur within ± 0.8 ns of their ideal position	HSM: M	Yes [] N/A []
DME9a	<u>DME page transitions in low-speed mode</u>	<u>98.2.1.1.2</u>	<u>Occur within ± 10 ns of their ideal position</u>	LSM: M	Yes [] N/A []
...					

⁷Copyright release for PICS proformas: Users of this standard may freely reproduce the PICS proforma in this subclause so that it can be used for its intended purpose and may further publish the completed PICS.

98.6.8 State diagram and variable definitions

Change the table in 98.6.8 as follows (unchanged rows not shown):

Item	Feature	Subclause	Value/Comment	Status	Support
...					
SD3	backoff_timer_[HSM]	98.5.2	Expire according to the formula described in 98.5.2	HSM:M	Yes [] N/A []
SD3a	backoff_timer_[LSM]	98.5.2	Expire according to the formula described in 98.5.2	LSM:M	Yes [] N/A []
SD4	blind_timer_[HSM]	98.5.2	Expires 2000 ns to 2120 ns after being started	HSM:M	Yes [] N/A []
SD4a	blind_timer_[LSM]	98.5.2	Expires 28 200 ns to 31 400 ns after being started	LSM:M	Yes [] N/A []
SD5	break_link_timer_[HSM]	98.5.2	Expires 300 μs to 305 μs after being started	HSM:M	Yes [] N/A []
SD5a	break_link_timer_[LSM]	98.5.2	Expires 8000 μs to 8133 μs after being started	LSM:M	Yes [] N/A []
SD6	clock_detect_max_timer_[HSM]	98.5.2	Expires 63 ns to 75 ns after being started or restarted	HSM:M	Yes [] N/A []
SD6a	clock_detect_max_timer_[LSM]	98.5.2	Expires 1680 ns to 2000 ns after being started or restarted	LSM:M	Yes [] N/A []
SD7	clock_detect_min_timer_[HSM]	98.5.2	Expires 45 ns to 57 ns after being started or restarted	HSM:M	Yes [] N/A []
SD7a	clock_detect_min_timer_[LSM]	98.5.2	Expires 1200 ns to 1520 ns after being started or restarted	LSM:M	Yes [] N/A []
SD8	data_detect_max_timer_[HSM]	98.5.2	Expires 33 ns to 45 ns from the last clock transition	HSM:M	Yes [] N/A []
SD8a	data_detect_max_timer_[LSM]	98.5.2	Expires 880 ns to 1200 ns from the last clock transition	LSM:M	Yes [] N/A []
SD9	data_detect_min_timer_[HSM]	98.5.2	Expires 15 ns to 27 ns from the last clock transition	HSM:M	Yes [] N/A []
SD9a	data_detect_min_timer_[LSM]	98.5.2	Expires 400 ns to 720 ns from the last clock transition	LSM:M	Yes [] N/A []
SD10	interval_timer_[HSM]	98.5.2	Expires 30 ns ± 0.01% from each clock pulse and data bit	HSM:M	Yes [] N/A []
SD10a	interval_timer_[LSM]	98.5.2	Expires 800 ns ± 0.005% from each clock pulse and data bit	LSM:M	Yes [] N/A []
SD11	link_fail_inhibit_timer_[HCD]	98.5.2	Expires 97 ms to 98 ms after entering the AN LINK GOOD CHECK state	10T1L: M	Yes [] N/A []
SD11a	link_fail_inhibit_timer_[HCD] for 10BASE-T1L PHY	98.5.2	Expires 3030 ms to 3090 ms after entering the AN LINK GOOD CHECK state	10T1L: M	Yes [] N/A []

Item	Feature	Subclause	Value/Comment	Status	Support
SD11b	<u>link_fail_inhibit_timer [HCD] for 10BASE-T1S PHY</u>	98.5.2	<u>Expires 400 ms to 405 ms after entering the AN LINK GOOD CHECK state</u>	10T1S:M	Yes [] N/A []
SD12	<u>page_test_max_timer [HSM]</u>	98.5.2	Expires 4800 ns to 4920 ns after being started or restarted	HSM:M	Yes [] N/A []
SD12a	<u>page_test_max_timer [LSM]</u>	98.5.2	<u>Expires 128 000 ns to 131 200 ns after being started or restarted</u>	LSM:M	Yes [] N/A []
SD13	<u>receive_DME_timer [HSM]</u>	98.5.2	Expires 6805 ns to 6925 ns after being started	HSM:M	Yes [] N/A []
SD13a	<u>receive_DME_timer [LSM]</u>	98.5.2	<u>Expires 156 300 ns to 159 500 ns after being started</u>	LSM:M	Yes [] N/A []
SD14	<u>rx_wait_timer [HSM]</u>	98.5.2	Expires 15 μ s to 17 μ s after being started or restarted	HSM:M	Yes [] N/A []
SD14a	<u>rx_wait_timer [LSM]</u>	98.5.2	<u>Expires 330 μs to 370 μs after being started or restarted</u>	LSM:M	Yes [] N/A []
SD15	<u>silent_timer [HSM]</u>	98.5.2	Expires 2120 ns to 2240 ns after being started	HSM:M	Yes [] N/A []
SD15a	<u>silent_timer [LSM]</u>	98.5.2	<u>Expires 31 400 ns to 34 600 ns after being started</u>	LSM:M	Yes [] N/A []

Insert the following new subclause (98.6.9) after 98.6.8:

98.6.9 High-speed and low-speed Auto-Negotiation modes

Item	Feature	Subclause	Value/Comment	Status	Support
SM1	Supports two Auto-Negotiation speeds	98.5.6	Implements the state diagram in Figure 98–11	ANSM:M	Yes [] N/A []
SM2	Supports only high-speed mode	98.5.6	Implements Figure 98–7, Figure 98–8, Figure 98–9, and Figure 98–10 using the timer values for high-speed mode	!LSM:M	Yes [] N/A []
SM3	Supports only low-speed mode	98.5.6	Implements Figure 98–7, Figure 98–8, Figure 98–9, and Figure 98–10 using the timer values for low-speed mode	!HSM:M	Yes [] N/A []

Change the title of Clause 104 as follows:

104. Power over Data Lines (PoDL) of Single-Balanced Twisted-Pair Ethernet

104.1 Overview

104.1.3 PoDL system types

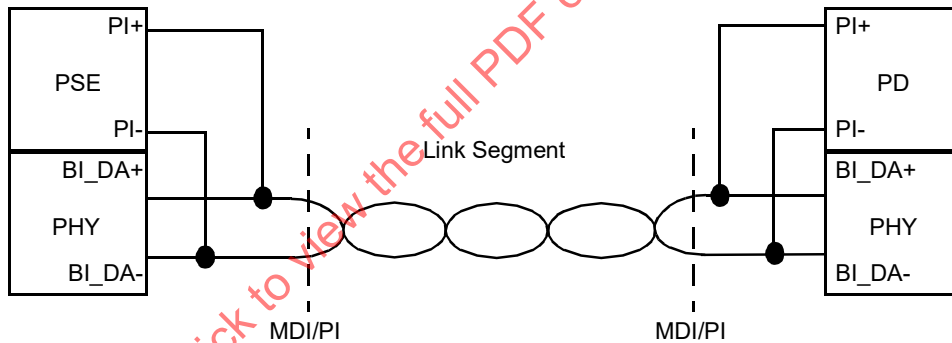
Change the text of 104.1.3 as follows:

A PoDL system consists of a PSE, a link segment, and a PD. PoDL systems are not specified for mixing segments.

A Type A or Type C PSE and Type A or Type C PD are compatible with 10BASE-T1S and 100BASE-T1 PHYs. A Type B or Type C PSE and Type B or Type C PD are compatible with 1000BASE-T1 PHYs. A Type C PSE and Type C PD are compatible with both 10BASE-T1S, 100BASE-T1, and 1000BASE-T1 PHYs. Type D PSEs and Type D PDs may be incompatible with IEEE 802.3 PHYs and may lack a data entity. A Type E PSE and Type E PD are compatible with 10BASE-T1L PHYs.

Figure 104–3 illustrates the block diagram for a PoDL system.

Replace Figure 104-3 with the following figure (in which MDI+ has been replaced with BI_DA+ and MDI- with BI_DA-):



NOTE—PI elements that prevent loading of the data signal by the PSE and PD are not shown. PHY elements that block dc are not shown.

Figure 104–3—PoDL system block diagram

104.2 Link segment

Change 104.2 as follows:

The dc loop resistance of the link segment shall be less than 6 Ω for 12 V unregulated classes classes 0 and 1. The dc loop resistance shall be less than 6.5 Ω for 12 V regulated, 24 V regulated and unregulated, and 48 V regulated classes classes 2 through 9. The link segment dc loop resistance shall be less than 65 Ω for classes 10 and 13. The link segment dc loop resistance shall be less than 25 Ω for classes 11 and 14. The link segment dc loop resistance shall be less than 9.5 Ω for classes 12 and 15.

104.3 Class power requirements

Change the text of 104.3 as follows:

PSEs and PDs are further categorized by their class. These classes and the relevant electrical specifications are shown in Table 104–1 and Table 104–1a.

Change title of Table 104-1 as shown:

**Table 104–1—Class power requirements matrix for PSE, PI, and PD
for classes 0 through 9**

Insert the following new table (Table 104-1a) after Table 104-1:

**Table 104–1a—Class power requirements matrix for PSE, PI, and PD
for classes 10 through 15**

Class	10	11	12	13	14	15
$V_{PSE(max)}$ (V)	30	30	30	58	58	58
$V_{PSE_OC(min)}$ (V)	20	20	20	50	50	50
$V_{PSE(min)}$ (V)	20	20	20	50	50	50
$I_{PI(max)}$ (mA)	92	240	632	231	600	1579
$P_{class(min)}$ (W)	1.85	4.8	12.63	11.54	30	79
$V_{PD(min)}$ (V)	14	14	14	35	35	35
$P_{PD(max)}$ (W)	1.23	3.2	8.4	7.7	20	52

104.4 Power Sourcing Equipment (PSE)

104.4.1 PSE types

Change 104.4.1 as follows:

For PoDL systems, there are multiple types of PSEs—Type A, Type B, Type C, ~~and~~ Type D, and Type E consistent with 104.1.3.

Insert the following new subclause (104.4.1a, including Table 104-1b) after 104.4.1:

104.4.1a PI pin assignments

A PSE provides power via a single two-wire connection. Table 104–1b in conjunction with Figure 104–3 illustrates the PSE pinout.

A PSE shall implement the PSE pinout in Table 104–1b.

Table 104–1b—PSE pinout

Contact	PI
1	PI+
2	PI–

104.4.3 PSE state diagram

104.4.3.3 Variables

Change the variable power_available as follows:

power_available

TRUE: a compatible PSE class to PD class pairing exists as defined in Table 104–2 and Table 104–2a, and the PSE is able to source the required voltage and power.

FALSE: a valid PSE class to PD class pairing does not exist as defined in Table 104–2 and Table 104–2a, or the PSE is not able to source the required voltage and power.

Change the title of Table 104-2 as follows:

Table 104–2—PSE power_available matrix for PSE and PD for classes 0 through 9

Insert the following new table (Table 104-2a) after Table 104-2:

Table 104–2a—PSE power_available matrix for PSE and PD for classes 10 through 15

		PSE Class ^a							
		Classes 0 to 9	30V reg			58V reg			
			10	11	12	13	14	15	
PD Class ^a	Classes 0 to 9	See Table 104–2	—	—	—	—	—	—	
	30V reg.	10	—	x	x	x	—	—	—
		11	—	—	x	x	—	—	—
		12	—	—	—	x	—	—	—
	58V reg.	13	—	—	—	—	x	x	x
		14	—	—	—	—	—	x	x
15		—	—	—	—	—	—	x	

^aAn ‘x’ denotes a valid PSE to PD Class pairing.

104.4.3.5 Functions

Change 104.4.3.5 as follows:

do_classification

This function returns the following variables:

CLASS_TYPE_INFO register:

The register contains 16 bits of information regarding the type and class of the PD. Refer to Table 104–9 for a description of the contents.

VOLT_INFO register:

PSEs that support cable resistance measurement also return the VOLT_INFO register. Refer to Table 104–10 for a description of the contents.

POWER_INFO register:

PSEs that support cable resistance measurement also return the POWER_INFO register. Refer to Table 104–11 for a description of the contents.

POWER_ASSIGN register:

PSEs that support cable resistance measurement also return the POWER_ASSIGN register. Refer to Table 104–12 for a description of the contents.

104.4.4 PSE detection of a PD

104.4.4.1 Detection probe requirements

Change Table 104-3 as follows:

Table 104–3—PSE PI detection state electrical output requirements

Item	Parameter	Symbol	Unit	Min	Max	Type	Additional information
1	Open circuit voltage	V_{OC}	V	4.75	5.5	All	
2	Short-circuit current	I_{SC}	mA	—	24	All	
3	Valid test probe current	$I_{invalid}$	mA	9	16	All	
4	Slew rate	I_{slew}	A/ms	—	1	All	
5	Output capacitance during detection	C_{out}	μF	—	2.64	A, B, C, D	
					0.4	E	
6	Maximum detection time	T_{det}	ms	—	3.11	All	See 104.4.4
7	Valid PD detection signature range measured at PSE PI	V_{good_PSE}	V	4.05	4.7	All	See 104.4.4.2

Table 104–3—PSE PI detection state electrical output requirements (continued)

Item	Parameter	Symbol	Unit	Min	Max	Type	Additional information
8	Invalid PD detection signature high range measured at PSE PI	$V_{\text{bad_hi_PSE}}$	V	$V_{\text{oc}}-0.05$	—	All	See 104.4.4.3
9	Invalid PD detection signature low range measured at PSE PI	$V_{\text{bad_lo_PSE}}$	V	—	3.7	All	
10	Signature hold timer for validity	$T_{\text{sig_hold}}$	ms	1	—	All	See 104.4.4.2

104.4.6 PSE output requirements

Change Table 104-4 as follows (unchanged rows not shown):

Table 104–4—PSE output requirements

Item	Parameter	Symbol	Unit	Min	Max	Class	Type	Additional information
...								
3	Output slew rate dV/dt		V/ms	—	22	All	A, C	See 104.4.6.3
				—	2	All	E	See 104.4.6.3
				—	40	All	A, C _s	During inrush only
				—	200	All	B	See 104.4.6.3
...								
6	Short-circuit time limit	T_{LIM}	ms	10	75	All Classes 0 to 9	All	
				50	75	Classes 10 to 15		
7	Inrush time	T_{Inrush}	ms	3.17	3.87	All Classes 0 to 9	All	See 104.4.6.4
				50	75	Classes 10 to 15		
8	Classification time	T_{Class}	ms	—	366	All Classes 0 to 9	All	See 104.4.5
					1300	Classes 10 to 15		
...								

104.4.6.3 Power feeding ripple and transients

Change the text of 104.4.6.3 as follows (Figure 104-7 remains unchanged):

The ripple and transient limits specified in Table 104-4, items (4) and (3) respectively, are meant to preserve data integrity.

A digital oscilloscope or data acquisition module with a differential probe is used to observe the voltage at the MDI/PI of the PSE device under test (DUT) as shown in Figure 104-7. The input impedance, $Z_{in}(f)$, and transfer function, $H_1(f)$, of the differential probe are specified by Equation (104-1) and Equation (104-2), respectively. When measuring the ripple voltage for a Type A or Type C PSE as specified by Table 104-4 item (4a), $f_1 = 31.8 \text{ kHz} \pm 1\%$. When measuring the ripple voltage for a Type B PSE as specified in Table 104-4 item (4a), $f_1 = 318 \text{ kHz} \pm 1\%$. When measuring the ripple voltage for a Type E PSE as specified in Table 104-4 item (4a), $f_1 = 3.18 \text{ kHz} \pm 1\%$.

$$Z_{in}(f) = \left(100 \pm 0.1\% \times \frac{\sqrt{f^2 + f_1^2}}{f} \right) \Omega \quad (104-1)$$

$$H_1(f) = \frac{f}{\sqrt{f^2 + f_1^2}} \quad (104-2)$$

When measuring the ripple voltages for a Type A or Type C PSE as specified by Table 104-4 item (4b), the voltage observed at the MDI/PI with the differential probe where $f_1 = 31.8 \text{ kHz} \pm 1\%$ is post-processed with transfer function $H_2(f)$ specified in Equation (104-3) where $f_2 = 1 \text{ MHz} \pm 1\%$.

When measuring the ripple voltages for a Type B PSE as specified by Table 104-4 item (4b), the voltage observed at the MDI/PI with the differential probe where $f_1 = 318 \text{ kHz} \pm 1\%$ is post-processed with transfer function $H_2(f)$ specified in Equation (104-3) where $f_2 = 10 \text{ MHz} \pm 1\%$.

When measuring the ripple voltages for a Type E PSE as specified by Table 104-4 item (4b), the voltage observed at the MDI/PI with the differential probe where $f_1 = 3.18 \text{ kHz} \pm 1\%$ is post-processed with transfer function $H_2(f)$ specified in Equation (104-3) where $f_2 = 0.1 \text{ MHz} \pm 1\%$.

$$H_2(f) = \frac{f}{\sqrt{f^2 + f_2^2}} \quad (104-3)$$

104.5 Powered Device (PD)

104.5.1 PD types

Change 104.5.1 as follows:

For PoDL systems, there are ~~four~~five types of PDs—Type A, Type B, Type C, ~~and~~ Type D, and Type E consistent with 104.1.3.

Insert the following new subclause (104.5.1a, including Table 104-4a) after 104.5.1:

104.5.1a PD PI

A PD may receive power in two modes, Mode A and Mode B. Table 104-4a in conjunction with Figure 104-3 illustrates the PD pinout.

Table 104-4a—PD pinout

Contact	Mode A	Mode B
1	PI+	PI-
2	PI-	PI+

Class 0 to class 9 PDs shall be able to operate per the Mode A column in Table 104-4a. Class 10 to class 15 PDs shall be implemented to be insensitive to the polarity of the power supply and shall be able to operate per the Mode A column and the Mode B column in Table 104-4a.

104.5.3 PD state diagram

104.5.3.5 Functions

Change 104.5.3.5 as follows:

do_sscp

This function returns the following variables to the PSE:

CLASS_TYPE_INFO register:

Refer to Table 104-9 for a description of the contents.

VOLT_INFO register:

PDs that support cable resistance measurement also return the VOLT_INFO register. Refer to Table 104-10 for a description of the contents.

POWER_INFO register:

PDs that support cable resistance measurement also return the POWER_INFO register. Refer to Table 104-11 for a description of the contents.

POWER_ASSIGN register:

PDs that support cable resistance measurement also return the POWER_ASSIGN register. Refer to Table 104-12 for a description of the contents.

104.5.6 PD power

Change Table 104-7 as follows (unchanged rows not shown):

Table 104-7—PD power supply limits

Item	Parameter	Symbol	Unit	Min	Max	PD Type	Additional information
1	Input current dI/dt		A/ms	—	1	A, C	See 104.5.6.4
				—	10	B	
				—	<u>0.1</u>	<u>E</u>	
2	Input voltage dV/dt		V/ms	—	20	A, C	
				—	200	B	
				—	<u>2</u>	<u>E</u>	
...							
4f	Power supply turn on voltage (Classes 10, 11, and 12)	V _{On}	V	—	<u>19.2</u>	All	See 104.5.6.2
4g	Power supply turn on voltage (Classes 13, 14, and 15)			—	<u>49</u>		
...							
5f	Power supply turn off voltage (Classes 10, 11, and 12)	V _{Off}	V	<u>11.2</u>	—		
5g	Power supply turn off voltage (Classes 13, 14, and 15)			<u>28</u>	—		
...							
6b	Input capacitance during DO_CLASSIFICATION state	C _{IN_Class}	μF	—	0.2	A, A. B, C. D	All classes
				—	<u>0.4</u>	<u>E</u>	
...							
7	Inrush enable delay time (Classes 0 to 9)	T _{power_dly}	ms	1.46	—	All	See 104.5.6.2
	Inrush enable delay time (Classes 10 to 15)			<u>80</u>			
...							
15	SCCP watchdog timeout	T _{SCCP_watchdog}	ms	150	200	A, A. B, C. D	See 104.5.5
				<u>1000</u>	<u>1300</u>	<u>E</u>	

104.5.6.4 PD ripple and transients

Change the text of 104.5.6.4 as follows (Figure 104-9 remains unchanged):

The specifications for ripple and transients in Table 104-7 apply to the voltage or current at the PD PI generated by the PD circuitry. Ripple and transient limits are provided to preserve data integrity.

The PD DUT is connected to a power supply through a dc bias coupling network as shown in Figure 104-9. The ripple and transient specifications for a Type A or Type C PD shall be met for all operating voltages in the range of V_{PD} sourced through a dc bias coupling network with MDI return loss as specified by Equation (96-12), and over the range of P_{PD} . The ripple and transient specifications for a Type B PD shall be met for all operating voltages in the range of V_{PD} sourced through a dc bias coupling network with MDI return loss as specified by Clause 97, and over the range of P_{PD} . The ripple and transient specifications for a Type E PD shall be met for all operating voltages in the range of V_{PD} sourced through a dc bias coupling network with MDI return loss as specified by Clause 146 and over the range of P_{PD} .

A digital oscilloscope or data acquisition module with a differential probe is used to observe the voltage at the MDI/PI. The input impedance, $Z_{in}(f)$, and transfer function, $H_1(f)$, of the differential probe are specified by Equation (104-1) and Equation (104-2), respectively. When measuring the ripple voltage for a Type A or Type C PD as specified by Table 104-7 item (3a), $f_1 = 31.8 \text{ kHz} \pm 1\%$. When measuring the ripple voltage for a Type B PD as specified by Table 104-7 item (3a), $f_1 = 318 \text{ kHz} \pm 1\%$. When measuring the ripple voltage for a Type E PD as specified by Table 104-7 item (3a), $f_1 = 3.18 \text{ kHz} \pm 1\%$.

When measuring the ripple voltages for a Type A or Type C PD as specified by Table 104-7 item (3b), the voltage observed at the MDI/PI with the differential probe where $f_1 = 31.8 \text{ kHz} \pm 1\%$ shall be post-processed with transfer function $H_2(f)$ specified in Equation (104-3) where $f_2 = 1 \text{ MHz} \pm 1\%$. When measuring the ripple voltages for a Type B PD as specified by Table 104-7 item (3b), the voltage observed at the MDI/PI with the differential probe where $f_1 = 318 \text{ kHz} \pm 1\%$ shall be post-processed with transfer function $H_2(f)$ specified in Equation (104-3) where $f_2 = 10 \text{ MHz} \pm 1\%$. When measuring the ripple voltages for a Type E PD as specified by Table 104-7 item (3b), the voltage observed at the MDI/PI with the differential probe where $f_1 = 3.18 \text{ kHz} \pm 1\%$ shall be post-processed with transfer function $H_2(f)$ specified in Equation (104-3) where $f_2 = 0.1 \text{ MHz} \pm 1\%$.

104.6 Additional electrical specifications

104.6.2 Fault tolerance

Change the first paragraph in 104.6.2 as follows:

The PI for Type A, Type B, and Type C PSEs and PDs shall meet the fault tolerance requirements as specified in 96.8.3. The PI for Type E PSEs and PDs shall meet the fault tolerance requirements as specified in 146.8.5.

Replace Figure 104-11 with the following figure:

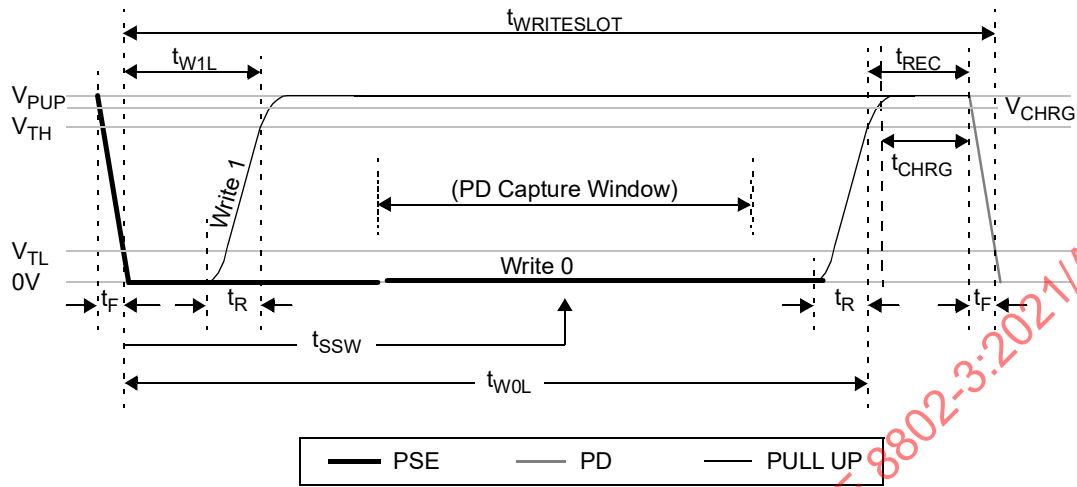


Figure 104-11—Write 0/1 slot timing diagram

104.7.1.3 Read time slots

Replace Figure 104-12 with the following figure:

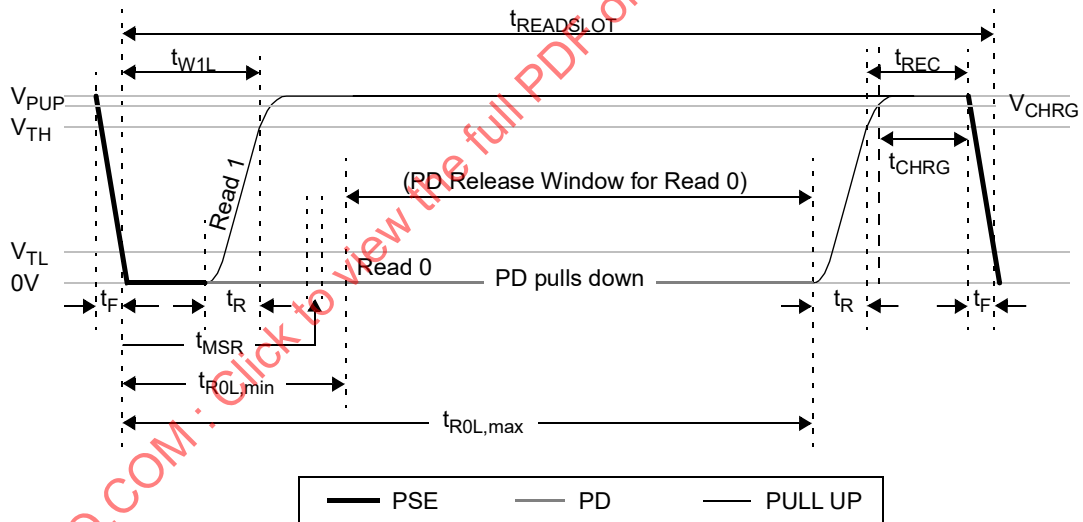


Figure 104-12—Read 0/1 slot timing diagram

Change the second paragraph in 104.7.1.3 as follows:

All read time slots shall be $t_{READSLOT}$ in duration. The PSE shall initiate a read time slot by pulling V_{PSE} low and then pulling-up V_{PSE} within t_{W1L} . After the PSE initiates the read time slot, the PD shall begin transmitting a 1 or 0 at its PI. The PD shall transmit a 1 by leaving V_{PD} high and transmit a 0 by pulling V_{PD} low. When transmitting a 0, the PD shall hold V_{PD} low and then release V_{PD} within t_{R0L} . V_{PSE} and V_{PD} will be pulled back to the high idle state by the PSE's pull-up current. Output data from the PD is valid for t_{MSR} after the falling edge that initiated the read time slot. Therefore, the PSE shall release V_{PSE} and then sample the subsequent voltage within t_{MSR} from the start of the read time slot SCCP electrical requirements.

Change Table 104-8 as follows:

Table 104-8—SCCP electrical requirements

Item	Parameter	Symbol	Unit	Min	Max	PSE/PD Type	Additional information
1	PSE Pull-up Voltage (Classes 0 to 9)	V _{PUP}	V	V _{good_PSE max}	5	<u>All</u>	See Table 104-3
	PSE Pull-up Voltage (Classes 10 to 15)				5.5		
2	PSE Pull-up Current	I _{PUP}	mA	9	16	<u>All</u>	
3	Input Logic High Voltage	V _{TH}	V	3	—	<u>All</u>	
4	Input Logic Low Voltage	V _{TL}	V	—	1	<u>A, B, C, D, PSE/PD, E PD</u>	
					2	<u>E PSE</u>	
5	Sink Current	I _L	mA	30	—	<u>All</u>	V _{Port} > 0.8 V
6a	<u>Write Time Slot</u>	t _{WRITESLOT}	ms	2.7	3.3	<u>A, B, C, D</u>	
					—	2.78	<u>E</u>
6b	<u>Read Time Slot</u>	t _{READSLOT}	ms	2.7	3.3	<u>A, B, C, D</u>	
					—	3.83	<u>E</u>
7	Recovery Time	t _{REC}	ms	0.27	0.33	<u>All</u>	
8	Write 0 Low Time	t _{W0L}	ms	1.8	2.2	<u>All</u>	
9	Write 1 Low Time	t _{W1L}	ms	0.08	0.25	<u>A, B, C, D</u>	
					0.09	0.61	<u>E</u>
10	PD Sample Write Time	t _{SSW}	ms	0.5	1.5	<u>A, B, C, D</u>	
					0.77	1.43	<u>E</u>
11	PSE Sample Read Time	t _{MSR}	ms	0.27	0.33	<u>A, B, C, D</u>	
					0.9	1.1	<u>E</u>
12	Read 0 Low Time	t _{R0L}	ms	0.5	1.5	<u>A, B, C, D</u>	
					1.75	3.25	<u>E</u>
13	Reset Time Low Time	t _{RSTL}	ms	9	11	<u>A, B, C, D</u>	
					8	10.5	<u>E</u>

Table 104–8—SCCP electrical requirements (continued)

Item	Parameter	Symbol	Unit	Min	Max	PSE/PD Type	Additional information
14	Presence-Detect High Time	t_{PDH}	ms	0.5	1.5	A, B, C, D	
				<u>0.7</u>	<u>1.3</u>	E	
15	Presence-Detect Low Time	t_{PDLOW}	ms	2.5	7.5	A, B, C, D	
				<u>2.8</u>	<u>5.2</u>	E	
				<u>21</u>	<u>31</u>	E	PDs that support link segment resistance measurement
16	PSE Sample Presence Time	t_{MSP}	ms	1.8	2.2	All	
17	Rise-Time	t_R	ms	0.025	0.105	A, B, C, D	
				<u>0.025</u>	<u>0.5</u>	E	
18	Fall-Time	t_F	ms	0.025	0.1	A, B, C, D	
				<u>0.025</u>	<u>0.25</u>	E	
19	Bus Capacitance	C_{BUS}	nF	—	6	A, B, C, D	
				—	<u>80</u>	E	
<u>20</u>	<u>PD reservoir capacitor recharge voltage</u>	<u>V_{CHRG}</u>	<u>V</u>	<u>$0.9 \times V_{PUPmin}$</u>	—	E	
<u>21</u>	<u>PD reservoir capacitor recharge time</u>	<u>t_{CHRG}</u>	<u>ms</u>	<u>0.2</u>	—	E	
<u>22</u>	<u>Resistance margin factor</u>	<u>K_{RMF}</u>	<u>—</u>	<u>1.06</u>	—	E	PSEs that support cable resistance measurement

Insert the following new subclauses [104.7.1.4 and 104.7.1.5, including Equation (104-4a), Equation (104-4b), and Equation (104-4c)] after 104.7.1.3:

104.7.1.4 Calculations for cable resistance

A PSE that implements cable resistance measurement may calculate cable resistance (dc loop resistance of the link segment) using the voltage and current at the PSE PI during the presence pulse and the voltage at the PD PI as shown in Equation (104-4a). The measurement tolerances in the voltage and current values should be included in the cable resistance measurement calculation. The initial calculated link segment cable resistance, $R_{Cable_initial}$, is defined in Equation (104-4a).

$$R_{Cable_initial} = \left(\frac{V_{PSE} - V_{Report_PD}}{I_{PSE}} \right) \Omega \quad (104-4a)$$

where

V_{Report_PD} is the voltage at PD's PI during the presence pulse as reported in b[7:0] of VOLT_INFO in Table 104-10

V_{PSE} is the voltage at PSE's PI during the presence pulse

I_{PSE} is the current at PSE's PI during the presence pulse

The initial cable resistance value calculated in Equation (104-4a) is then margined by the Resistance Margin Factor, K_{RMF} , as shown in Equation (104-4b). The margined link segment cable resistance, R_{Cable} , should not exceed the maximum allowable link segment dc loop resistance for the class as shown in Equation (104-4b).

$$R_{Cable} = \min(R_{Cable_initial} \times K_{RMF}, R_{Loop(max)}) \Omega \quad (104-4b)$$

where

$R_{Cable_initial}$ is the initial calculated link segment cable resistance

K_{RMF} is the Resistance Margin Factor per Table 104-8

$R_{Loop(max)}$ is the maximum allowable link segment dc loop resistance for the class per 104.2

104.7.1.5 Calculations for power allocation

A PD that supports cable resistance measurement may request a power allocation between 0.1 W and $P_{Class(max)}$ via the PD Requested Power, P_{PD_req} , field of the POWER_INFO register b[11:0]. The PD Requested Power may exceed $P_{PD(max)}$. A PSE that supports cable resistance measurement shall set PD Assigned Power (P_{PD_assign}) based on PD Requested Power, P_{PD_req} , and measured cable resistance as shown in Equation (104-4c):

$$P_{PD_assign} = \left\{ \begin{array}{ll} \min(P_{PD_req}, P_{Class(min)} - I_{PI(max)}^2 \times R_{Cable}) & \text{for } P_{PD_req} > P_{PD(max)} \\ P_{PD_req} & \text{for } P_{PD_req} \leq P_{PD(max)} \end{array} \right\} \text{ W} \quad (104-4c)$$

where

P_{PD_req} is the PD Requested Power as reported in b[11:0] of POWER_INFO in Table 104-11

P_{PD_assign} is the PD Assigned Power by PSE as assigned in b[11:0] of POWER_ASSIGN in Table 104-12

$P_{Class(min)}$ see Table 104-1 for description

$I_{PI(max)}$ see Table 104-1 for description
 $P_{PD(max)}$ see Table 104-1 for description

For systems that implement cable resistance measurement, the PSE determines P_{PD_assign} , as assigned in b[11:0] of POWER_ASSIGN in Table 104-12. Maximum average available power at the PD PI is $P_{PD_assign} \cdot P_{PD_assign}$ may be greater or less than $P_{PD(max)}$.

104.7.2 Serial communication classification protocols

Replace Figure 104-13 with the following figure (which includes VOLT_INFO, POWER_INFO read, POWER_ASSIGN write, and POWER_ASSIGN read commands):

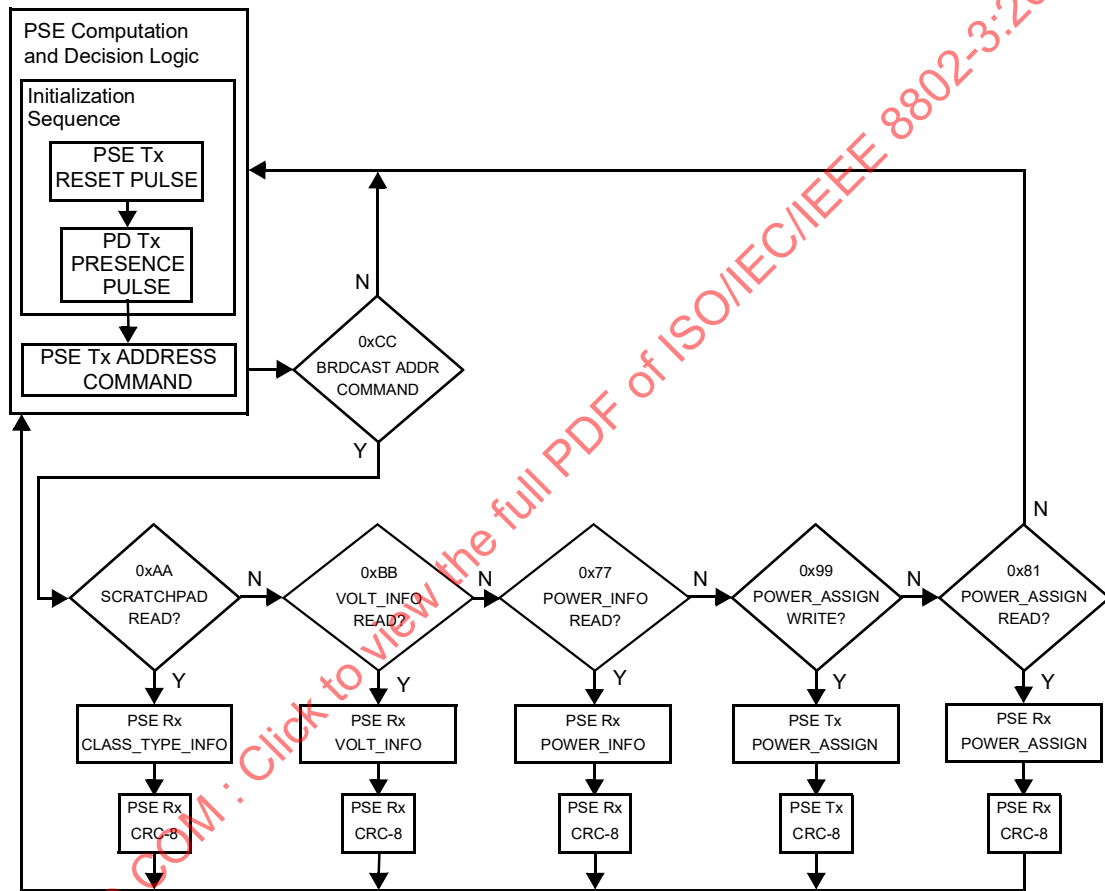


Figure 104-13—Address and Read_Scratchpad function command flowchart

104.7.2.4 Read_Scratchpad function command [0xAA]

Change Table 104-9 as follows:

Table 104-9—CLASS_TYPE_INFO register table

Bit(s)	Name	Description	R/W																																																																																																																																																																																											
b[15:12]	Type	<table border="0"> <tr> <td>15</td> <td>14</td> <td>13</td> <td>12</td> <td></td> </tr> <tr> <td>1</td> <td>1</td> <td>1</td> <td>0</td> <td>= Type A</td> </tr> <tr> <td>1</td> <td>1</td> <td>0</td> <td>1</td> <td>= Type B</td> </tr> <tr> <td>1</td> <td>0</td> <td>1</td> <td>1</td> <td>= Type C</td> </tr> <tr> <td>0</td> <td>1</td> <td>1</td> <td>1</td> <td>= Type D</td> </tr> <tr> <td>1</td> <td>1</td> <td>0</td> <td>0</td> <td>= Type E</td> </tr> </table>	15	14	13	12		1	1	1	0	= Type A	1	1	0	1	= Type B	1	0	1	1	= Type C	0	1	1	1	= Type D	1	1	0	0	= Type E	RO																																																																																																																																																													
15	14	13	12																																																																																																																																																																																											
1	1	1	0	= Type A																																																																																																																																																																																										
1	1	0	1	= Type B																																																																																																																																																																																										
1	0	1	1	= Type C																																																																																																																																																																																										
0	1	1	1	= Type D																																																																																																																																																																																										
1	1	0	0	= Type E																																																																																																																																																																																										
b[11]	pd_faulted	1—error condition has occurred that prevented the PD from receiving power at the PI. Set to 1 when the pd_fault variable transitions from FALSE to TRUE 0—no error condition detected	RO/ LH																																																																																																																																																																																											
b[10]	Reserved Cable resistance measurement	value always 0 1—Cable resistance measurement enabled 0—Cable resistance measurement disabled	RO																																																																																																																																																																																											
b[9:0]	Class	<table border="0"> <tr> <td>9</td> <td>8</td> <td>7</td> <td>6</td> <td>5</td> <td>4</td> <td>3</td> <td>2</td> <td>1</td> <td>0</td> <td></td> </tr> <tr> <td>1</td> <td>1</td> <td>1</td> <td>1</td> <td>1</td> <td>1</td> <td>1</td> <td>1</td> <td>1</td> <td>0</td> <td>=Class 0</td> </tr> <tr> <td>1</td> <td>1</td> <td>1</td> <td>1</td> <td>1</td> <td>1</td> <td>1</td> <td>1</td> <td>0</td> <td>1</td> <td>=Class 1</td> </tr> <tr> <td>1</td> <td>1</td> <td>1</td> <td>1</td> <td>1</td> <td>1</td> <td>1</td> <td>0</td> <td>1</td> <td>1</td> <td>=Class 2</td> </tr> <tr> <td>1</td> <td>1</td> <td>1</td> <td>1</td> <td>1</td> <td>1</td> <td>0</td> <td>1</td> <td>1</td> <td>1</td> <td>=Class 3</td> </tr> <tr> <td>1</td> <td>1</td> <td>1</td> <td>1</td> <td>1</td> <td>0</td> <td>1</td> <td>1</td> <td>1</td> <td>1</td> <td>=Class 4</td> </tr> <tr> <td>1</td> <td>1</td> <td>1</td> <td>1</td> <td>0</td> <td>1</td> <td>1</td> <td>1</td> <td>1</td> <td>1</td> <td>=Class 5</td> </tr> <tr> <td>1</td> <td>1</td> <td>1</td> <td>0</td> <td>1</td> <td>1</td> <td>1</td> <td>1</td> <td>1</td> <td>1</td> <td>=Class 6</td> </tr> <tr> <td>1</td> <td>1</td> <td>0</td> <td>1</td> <td>1</td> <td>1</td> <td>1</td> <td>1</td> <td>1</td> <td>1</td> <td>=Class 7</td> </tr> <tr> <td>1</td> <td>0</td> <td>1</td> <td>1</td> <td>1</td> <td>1</td> <td>1</td> <td>1</td> <td>1</td> <td>1</td> <td>=Class 8</td> </tr> <tr> <td>0</td> <td>1</td> <td>1</td> <td>1</td> <td>1</td> <td>1</td> <td>1</td> <td>1</td> <td>1</td> <td>1</td> <td>=Class 9</td> </tr> <tr> <td>0</td> <td>0</td> <td>0</td> <td>0</td> <td>0</td> <td>0</td> <td>0</td> <td>0</td> <td>0</td> <td>1</td> <td>=Class 10</td> </tr> <tr> <td>0</td> <td>0</td> <td>0</td> <td>0</td> <td>0</td> <td>0</td> <td>0</td> <td>0</td> <td>1</td> <td>0</td> <td>=Class 11</td> </tr> <tr> <td>0</td> <td>0</td> <td>0</td> <td>0</td> <td>0</td> <td>0</td> <td>0</td> <td>0</td> <td>1</td> <td>1</td> <td>=Class 12</td> </tr> <tr> <td>0</td> <td>0</td> <td>0</td> <td>0</td> <td>0</td> <td>0</td> <td>0</td> <td>1</td> <td>0</td> <td>0</td> <td>=Class 13</td> </tr> <tr> <td>0</td> <td>0</td> <td>0</td> <td>0</td> <td>0</td> <td>0</td> <td>0</td> <td>1</td> <td>0</td> <td>1</td> <td>=Class 14</td> </tr> <tr> <td>0</td> <td>0</td> <td>0</td> <td>0</td> <td>0</td> <td>0</td> <td>0</td> <td>1</td> <td>1</td> <td>0</td> <td>=Class 15</td> </tr> </table>	9	8	7	6	5	4	3	2	1	0		1	1	1	1	1	1	1	1	1	0	=Class 0	1	1	1	1	1	1	1	1	0	1	=Class 1	1	1	1	1	1	1	1	0	1	1	=Class 2	1	1	1	1	1	1	0	1	1	1	=Class 3	1	1	1	1	1	0	1	1	1	1	=Class 4	1	1	1	1	0	1	1	1	1	1	=Class 5	1	1	1	0	1	1	1	1	1	1	=Class 6	1	1	0	1	1	1	1	1	1	1	=Class 7	1	0	1	1	1	1	1	1	1	1	=Class 8	0	1	1	1	1	1	1	1	1	1	=Class 9	0	0	0	0	0	0	0	0	0	1	=Class 10	0	0	0	0	0	0	0	0	1	0	=Class 11	0	0	0	0	0	0	0	0	1	1	=Class 12	0	0	0	0	0	0	0	1	0	0	=Class 13	0	0	0	0	0	0	0	1	0	1	=Class 14	0	0	0	0	0	0	0	1	1	0	=Class 15	RO
9	8	7	6	5	4	3	2	1	0																																																																																																																																																																																					
1	1	1	1	1	1	1	1	1	0	=Class 0																																																																																																																																																																																				
1	1	1	1	1	1	1	1	0	1	=Class 1																																																																																																																																																																																				
1	1	1	1	1	1	1	0	1	1	=Class 2																																																																																																																																																																																				
1	1	1	1	1	1	0	1	1	1	=Class 3																																																																																																																																																																																				
1	1	1	1	1	0	1	1	1	1	=Class 4																																																																																																																																																																																				
1	1	1	1	0	1	1	1	1	1	=Class 5																																																																																																																																																																																				
1	1	1	0	1	1	1	1	1	1	=Class 6																																																																																																																																																																																				
1	1	0	1	1	1	1	1	1	1	=Class 7																																																																																																																																																																																				
1	0	1	1	1	1	1	1	1	1	=Class 8																																																																																																																																																																																				
0	1	1	1	1	1	1	1	1	1	=Class 9																																																																																																																																																																																				
0	0	0	0	0	0	0	0	0	1	=Class 10																																																																																																																																																																																				
0	0	0	0	0	0	0	0	1	0	=Class 11																																																																																																																																																																																				
0	0	0	0	0	0	0	0	1	1	=Class 12																																																																																																																																																																																				
0	0	0	0	0	0	0	1	0	0	=Class 13																																																																																																																																																																																				
0	0	0	0	0	0	0	1	0	1	=Class 14																																																																																																																																																																																				
0	0	0	0	0	0	0	1	1	0	=Class 15																																																																																																																																																																																				

104.7.2.5 CRC8 field

Change the first paragraph 104.7.2.5 as follows:

The CRC8 field is an 8-bit cyclic redundancy check value. This value is computed as a function of the contents of the preceding 16-bit Scratchpad Read/Write payload.

104.7.2.7 Read_POWER_INFO command [0x77]

All PSEs and PDs that support cable resistance measurement shall support the 8-bit Read_POWER_INFO command. After receiving a Read_POWER_INFO command, the PD shall respond with a 16-bit POWER_INFO read payload followed by an 8-bit CRC8 field as specified in 104.7.2.5. A flowchart for operation of the address and the Read_POWER_INFO command is shown in Figure 104–13. Table 104–11 illustrates the contents of the POWER_INFO register.

Table 104–11—POWER_INFO register table

Bit(s)	Name	Description	R/W ^a
b[15:12]	Reserved	Value always 0	RO
b[11:0]	P _{PD_req} PD Requested Power	Power requested by PD, 0.025 W per LSB	RO

^aRO = Read only

104.7.2.8 Write_POWER_ASSIGN command [0x99]

All PSEs and PDs that support cable resistance measurement shall support the 8-bit Write_POWER_ASSIGN command. After transmitting a Write_POWER_ASSIGN command, the PSE shall transmit a 16-bit POWER_ASSIGN write payload followed by an 8-bit CRC8 field as specified in 104.7.2.5. A flowchart for operation of the address and the Write_POWER_ASSIGN command is shown in Figure 104–13. Table 104–12 illustrates the contents of the POWER_ASSIGN register.

Table 104–12—POWER_ASSIGN register table

Bit(s)	Name	Description	R/W ^a
b[15:12]	Reserved	Value always 0	RO
b[11:0]	P _{PD_assign} PD Assigned Power	PD assigned power, 0.025 W per LSB	R/W

^aRO = Read only, R/W = Read/Write

104.7.2.9 Read_POWER_ASSIGN command [0x81]

All PSEs and PDs that support cable resistance measurement shall support the 8-bit Read_POWER_ASSIGN command. After receiving a Read_POWER_ASSIGN command, the PD shall respond with a 16-bit POWER_ASSIGN read payload followed by an 8-bit CRC8 field as specified in 104.7.2.5. A flowchart for operation of the address and the Read_POWER_ASSIGN command is shown in Figure 104–13. Table 104–12 illustrates the contents of the POWER_ASSIGN register.

Change the title of 104.9 as follows:

104.9 Protocol implementation conformance statement (PICS) proforma for Clause 104, Power over Data Lines (PoDL) of Single-Balanced Twisted-Pair Ethernet⁸

104.9.1 Introduction

Change the first paragraph of 104.9.1 as follows:

The supplier of a protocol implementation that is claimed to conform to Clause 104, Power over Data Lines (PoDL) of Single-Balanced Twisted-Pair Ethernet, shall complete the following protocol implementation conformance statement (PICS) proforma.

104.9.2 Identification

104.9.2.2 Protocol summary

Change the protocol summary table as follows:

Identification of protocol standard	IEEE Std 802.3cg-2019, Clause 104 Power over Data Lines (PoDL) of Single-Balanced Twisted-Pair Ethernet
Identification of amendments and corrigenda to this PICS proforma that have been completed as part of this PICS	
Have any Exception items been required? No [] Yes [] (See Clause 21; the answer Yes means that the implementation does not conform to IEEE Std 802.3cg-2019)	
Date of Statement	

⁸Copyright release for PICS proformas: Users of this standard may freely reproduce the PICS proforma in this subclause so that it can be used for its intended purpose and may further publish the completed PICS.

104.9.3 Major capabilities/options

Insert the following new row at the beginning of the table in 104.9.3:

Item	Feature	Subclause	Value/Comment	Status	Support
*CRM	Implements cable resistance measurement functionality	104.7		SCCP:O	Yes [] No [] N/A []

*Insert the following new row after the *PSETC row in the table in 104.9.3:*

Item	Feature	Subclause	Value/Comment	Status	Support
*PSETE	Implements PSE Type E functionality	104.1.3	Provides support for requirements of Type E Powered Sourcing Equipment	O	Yes [] No []

*Insert the following new row after the *PDTC row in the table in 104.9.3:*

Item	Feature	Subclause	Value/Comment	Status	Support
*PDTE	Implements PD Type E functionality	104.1.3	Provides support for requirements of Type E Powered Device Equipment	O	Yes [] No []

Change the title of 104.9.4 as follows:

104.9.4 PICS proforma tables for Clause 104, Power over Data Lines (PoDL) of Single-Balanced Twisted-Pair Ethernet

104.9.4.1 Link Segment

Change the table in 104.9.4.1 as follows:

Item	Feature	Subclause	Value/Comment	Status	Support
LNK1	DC loop resistance	104.2	Less than 6 Ω for 12-V unregulated classes Classes 0 and 1, and less than 6.5 Ω for Classes 2 through 9, less than 65 Ω for Classes 10 and 13, less than 25 Ω for Classes 11 and 14, less than 9.5 Ω for Classes 12 and 15 12-V regulated, 24 V regulated and unregulated, and 48 V regulated classes	M	Yes []

104.9.4.2 Power Sourcing Equipment (PSE)

Insert the following new row at the beginning of the table in 104.9.4.2:

Item	Feature	Subclause	Value/Comment	Status	Support
PSEa	PSE pinout	104.4.1a	See Table 104–1b	M	Yes []

Insert the following new row at the end of the table in 104.9.4.2:

Item	Feature	Subclause	Value/Comment	Status	Support
PSE37	do_classification function for PSEs that support cable resistance measurement	104.4.3.5	Return VOLT_INFO, POWER_INFO, and POWER_ASSIGN registers	SCCP:O CRM:M	Yes [] No [] N/A []

104.9.4.3 Powered Device (PD)

Insert the following new row at the beginning of the table in 104.9.4.3:

Item	Feature	Subclause	Value/Comment	Status	Support
PDa	PD PI	104.5.1a	Class 0 to 9 PDs operate per the Mode A column in Table 104–4a. Class 10 to 15 PDs are polarity-insensitive and are able to operate per Mode A and Mode B of Table 104–4a.	M	Yes []

104.9.4.7 SCCP

Insert the following new rows at the end of the table in 104.9.4.7:

Item	Feature	Subclause	Value/Comment	Status	Support
SCCP29	8-bit Read_VOLT_INFO command	104.7.2.6	Supported by all PSEs and PDs that implement CRM	SCCP:O CRM:M	Yes [] N/A []
SCCP30	Reception of Read_VOLT_INFO function command	104.7.2.6	PD shall respond with a 16-bit VOLT_INFO read payload followed by an 8-bit CRC8 field	SCCP:O CRM:M	Yes [] N/A []
SCCP31	8-bit Read_POWER_INFO command	104.7.2.7	Supported by all PSEs and PDs that implement CRM	SCCP:O CRM:M	Yes [] N/A []
SCCP32	Reception of Read_POWER_INFO function command	104.7.2.7	PD shall respond with a 16-bit POWER_INFO read payload followed by an 8-bit CRC8 field	SCCP:O CRM:M	Yes [] N/A []

ISO/IEC/IEEE 8802-3:2021/Amd.5:2021(E)

IEEE Std 802.3cg-2019

IEEE Standard for Ethernet—Amendment 5: Physical Layer Specifications and Management Parameters for
10 Mb/s Operation and Associated Power Delivery over a Single Balanced Pair of Conductors

Item	Feature	Subclause	Value/Comment	Status	Support
SCCP33	8-bit Write_POWER_ASSIGN command	104.7.2.8	Supported by all PSEs and PDs that implement CRM	SCCP:O CRM:M	Yes [] N/A []
SCCP34	Reception of Write_POWER_ASSIGN function command	104.7.2.8	PSE shall transmit a 16-bit POWER_ASSIGN write payload followed by an 8-bit CRC8 field	SCCP:O CRM:M	Yes [] N/A []
SCCP35	8-bit Read_POWER_ASSIGN command	104.7.2.9	Supported by all PSEs and PDs that implement CRM	SCCP:O CRM:M	Yes [] N/A []
SCCP36	Reception of Read_POWER_ASSIGN function command	104.7.2.9	PD shall respond with a 16-bit POWER_ASSIGN read payload followed by an 8-bit CRC8 field	SCCP:O CRM:M	Yes [] N/A []

STANDARDSISO.COM : Click to view the full PDF of ISO/IEC/IEEE 8802-3:2021/Amd 5:2021

Insert Clause 146 to Clause 148 in numeric order (see later in this amendment for the addition of corresponding annexes):

146. Physical Coding Sublayer (PCS), Physical Medium Attachment (PMA) sublayer and baseband medium, type 10BASE-T1L

146.1 Overview

This clause defines the type 10BASE-T1L Physical Coding Sublayer (PCS) and type 10BASE-T1L Physical Medium Attachment (PMA) sublayer. Together, the PCS and PMA sublayers comprise a 10BASE-T1L Physical Layer (PHY). Provided in this clause are functional and electrical specifications for the type 10BASE-T1L PCS, PMA, and MDI. 10BASE-T1L does not define an AUI.

The 10BASE-T1L PHY is a full-duplex PHY specification, capable of operating at 10 Mb/s. The 10BASE-T1L PHY is intended to be operated over a single balanced pair of conductors, defined in 146.7. The cabling supporting the operation of the 10BASE-T1L PHY is defined in terms of performance requirements between the DTE attachment points [Medium Dependent Interface (MDI)], allowing implementers to provide their own cabling to operate the 10BASE-T1L PHY as long as the normative requirements included in this clause are met.

This clause also specifies an optional Energy-Efficient Ethernet (EEE) capability. A 10BASE-T1L PHY that supports this capability may enter a Low Power Idle (LPI) mode of operation during periods of low link utilization as described in Clause 78.

146.1.1 Relationship of 10BASE-T1L to other standards

The relationship between the 10BASE-T1L PHY, the ISO Open Systems Interconnection (OSI) Reference Model, and the IEEE 802.3 Ethernet model are shown in Figure 146–1. The PHY sublayers (shown shaded) in Figure 146–1 connect one Clause 4 Media Access Control (MAC) layer to the medium. Auto-Negotiation for 10BASE-T1L is defined in Clause 98. MII is defined in Clause 22.

146.1.2 Operation of 10BASE-T1L

The 10BASE-T1L PHY operates using full-duplex communications over a single balanced pair of conductors with an effective data rate of 10 Mb/s in each direction simultaneously. The PHY supports operation on a link segment supporting up to ten in-line connectors using a single balanced pair of conductors for up to at least 1000 meters.

The 10BASE-T1L PHY utilizes 3-level Pulse Amplitude Modulation (PAM3) transmitted at 7.5 MBd on the link segment. A 33-bit scrambler is used to improve the EMC performance. MII TXD<3:0>, TX_EN, and TX_ER are encoded together using 4B3T encoding, where 4B3T encoding is used to keep the running average (DC baseline) of the transmitted PAM3 symbols within bounds. The PAM3 mapping, scrambler, and 4B3T encoder/decoder are all contained in the PCS (see 146.3).

The 10BASE-T1L PHY may optionally support an increased transmit and receive capability, supporting 2.4 V_{pp} differential. See 146.5.4.1.

Auto-Negotiation may be used by 10BASE-T1L devices to detect the abilities (modes of operation) supported by the device at the other end of a link segment, determine common abilities, and configure for normal operation. Auto-Negotiation is performed upon link startup through the use of half-duplex differential Manchester encoding. If Auto-Negotiation is implemented, it shall meet the requirements of Clause 98.

IEEE Std 802.3cg-2019
 IEEE Standard for Ethernet—Amendment 5: Physical Layer Specifications and Management Parameters for
 10 Mb/s Operation and Associated Power Delivery over a Single Balanced Pair of Conductors

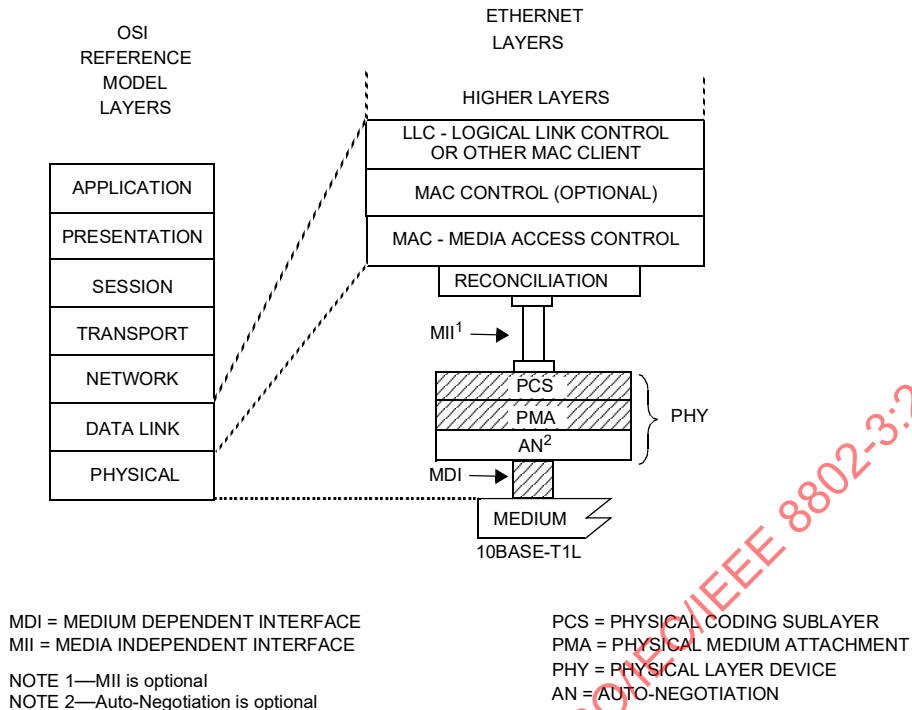


Figure 146–1—Relationship of 10BASE-T1L PHY to the ISO/IEC OSI reference model and the IEEE 802.3 Ethernet model

A 10BASE-T1L PHY optionally supports Energy-Efficient Ethernet (see Clause 78) and advertises the EEE capability during Auto-Negotiation as described in Annex 98B.3. The EEE capability is a mechanism by which 10BASE-T1L PHYs are able to reduce power consumption during periods of low link utilization.

A 10BASE-T1L PHY is capable of operating both as MASTER or SLAVE, with one mode active as determined according to 146.6.2. A MASTER PHY uses a local clock to determine the timing of transmitter operations. A SLAVE PHY recovers the clock from the received signal and uses it to determine the timing of transmitter operations. When Auto-Negotiation is used, the MASTER-SLAVE relationship between two devices sharing a link segment is established during Auto-Negotiation (see Clause 98). If Auto-Negotiation is not used, a MASTER-SLAVE relationship shall be established by management or hardware configuration of the PHYs. The MASTER and SLAVE are synchronized by a PMA Clock Recovery function (see 146.4.6).

The 10BASE-T1L PMA couples messages from the PCS to the MDI and provides clock recovery, link management, and PHY Control functions. The PMA provides full duplex communications at 7.5 MBd over a single balanced pair of conductors. PMA functionality is described in 146.4. The MDI is specified in 146.8.

146.1.2.1 Physical Coding Sublayer (PCS)

The 10BASE-T1L PCS couples a Media Independent Interface (MII), as described in Clause 22, to the 10BASE-T1L Physical Medium Attachment (PMA) sublayer.

146.1.2.2 Physical Medium Attachment (PMA) sublayer

The 10BASE-T1L PMA couples messages from the PCS service interface onto a single balanced pair of conductors and supports the link management and the 10BASE-T1L PHY Control function. The PMA provides full duplex communications over a single balanced pair of conductors up to 1000 m in length.

146.1.2.3 EEE capability

A 10BASE-T1L PHY optionally supports the EEE capability, as described in 78.3. The EEE capability is a mechanism by which 10BASE-T1L PHYs are able to reduce power consumption during periods of low link utilization. PHYs can enter the LPI mode of operation after completing training. Each direction of the full duplex link is able to enter and exit the LPI mode independently, supporting symmetric and asymmetric LPI operation. This allows power savings when only one side of the full duplex link is in a period of low utilization. The transition to or from LPI mode does not cause any MAC frames to be lost or corrupted.

In the transmit direction, the transition to the LPI transmit mode begins when the PCS transmit function detects an “Assert Low Power Idle” condition on the MII. If this condition is detected, `tx_lpi_active` is set true and shortly after this the PHY asserts the `loc_lpi` signal, which is transmitted within the IDLE symbol stream to the remote PHY. This sleep signal indicates to the link partner that the transmit function of the PHY is entering the LPI transmit mode. After the transmission of the sleep indications, the transmit function of the local PHY enters the LPI transmit mode. While the transmit function is in the LPI mode, the PHY may cease transmission to save power and the link partner may disable receiver functions to save additional power. Periodically, the transmit function of the local PHY enters a refresh mode during which idle transmission resumes, and this may be used by the link partner to update adaptive filters and timing recovery circuits. Alternation between LPI quiet and refresh transmit modes proceeds according to a synchronized process between the PHYs, independent of data traffic patterns at the MII. The quiet-refresh cycling continues until the PCS function detects a condition that is not Assert Low Power Idle on the MII. This condition signals to the PHY that the LPI transmit mode should end. The PHY transmits an IDLE symbol stream with `loc_lpi` de-asserted, indicating to the remote PHY that the local PHY is back to normal transmit mode.

Support for EEE capability is advertised during Auto-Negotiation. See Annex 98B.3 for details. Transitions to and from the LPI transmit mode are controlled via MII signaling. Transitions to and from the LPI receive mode are controlled by the link partner using sleep and wake signaling.

146.1.2.4 Signaling

10BASE-T1L signaling is performed by the PCS generating continuous code-group sequences that the PMA transmits over a single balanced pair of conductors. The signaling scheme achieves a number of objectives including the following:

- a) Algorithm mapping and inverse mapping from nibble data to ternary symbols and back.
- b) Uncorrelated symbols in the transmitted symbol stream.
- c) No correlation between symbol streams traveling both directions.
- d) Ability to rapidly or immediately determine if a symbol stream represents data or idle.
- e) Robust delimiters for Start-of-Stream delimiter (SSD), End-of-Stream delimiter (ESD), and other control signals.
- f) Ability to signal the status of the local receiver to the remote PHY to indicate that the local receiver is not operating reliably and requires retraining.
- g) Optionally, ability to signal to the remote PHY that the transmitting PHY is entering the LPI mode or exiting the LPI mode and returning to normal power operation.

146.1.3 Conventions in this clause

The body of this clause contains state diagrams, including definitions of variables, constants, and functions. Should there be a discrepancy between a state diagram and descriptive text, the state diagram prevails.

146.1.3.1 State diagram notation

The conventions of 21.5 are adopted with the extension that some states in the state diagrams use an IF-THEN-ELSE-END construct to condition which actions are taken within the state. If the logical expression associated with the IF evaluates TRUE, all the actions listed between THEN and ELSE will be executed. In the case where ELSE is omitted, the actions listed between THEN and END will be executed. If the logical expression associated with the IF evaluates FALSE, the actions listed between ELSE and END will be executed. After executing the actions listed between THEN and ELSE, between THEN and END, or between ELSE and END, the actions following the END, if any, will be executed.

146.1.3.2 State diagram timer specifications

All timers operate in the manner described in 40.4.5.2.

146.1.3.3 Service specifications

The method and notation used in the service specification follows the conventions of 1.2.2.

146.2 Service primitives and interfaces

The 10BASE-T1L PHY uses the service primitives and interfaces in 40.2, with exception of the following clarifications and differences noted in this subclause, in support of 10 Mb/s operations over a single balanced pair of conductors. Figure 146–2 shows the relationship of the service primitives and interfaces used by the 10BASE-T1L PHY.

The 10BASE-T1L PHY uses the Media Independent Interface (MII) as specified in Clause 22. The optional Technology Dependent Interface is used for Auto-Negotiation and is described in 98.4.

As shown in Figure 146–2, 10BASE-T1L uses the following service primitives to exchange symbol vectors, status indications, and control signals across the PMA service interface:

PMA_LINK.request (link_control)
PMA_LINK.indication (link_status)
PMA_TXMODE.indication (tx_mode)
PMA_UNITDATA.indication (rx_symb_vector)
PMA_UNITDATA.request (tx_symb_vector)
PMA_RXSTATUS.indication (loc_rcvr_status)
PMA_REMRXSTATUS.request (rem_rcvr_status)
PMA_SCRSTATUS.request (scr_status)
PMA_TXEN.request (tx_enable_mii)
PMA_RX_LPI_STATUS.request (rx_lpi_active)
PMA_TX_LPI_STATUS.request (tx_lpi_active)
PMA_LPI_STATUS.indication (loc_lpi)

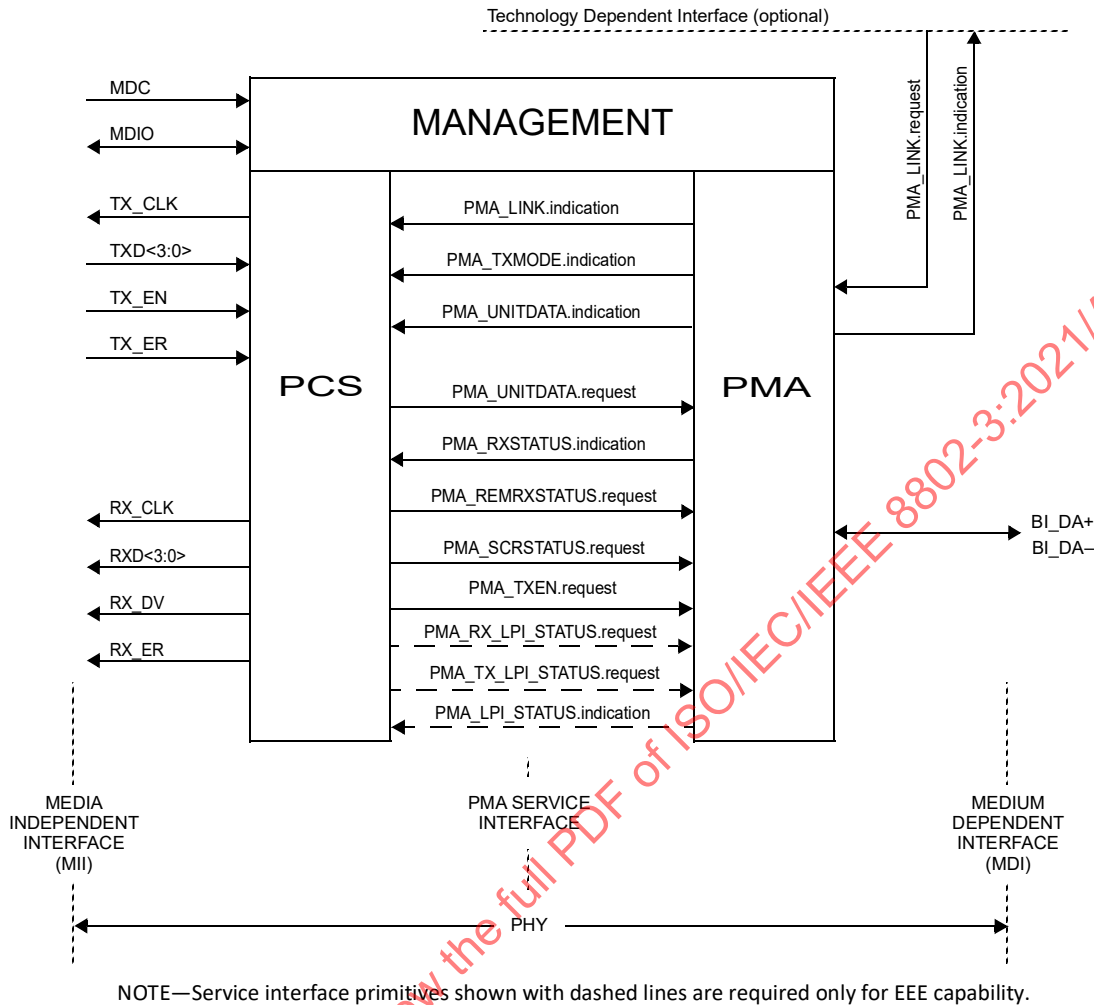


Figure 146–2—10BASE-T1L PHY interfaces

146.2.1 PMA_LINK.request

This primitive allows the Auto-Negotiation or the PHY Link Synchronization algorithm to enable and disable operation of the PMA, as specified in 98.4.2.

146.2.1.1 Semantics of the primitive

PMA_LINK.request (link_control)

The link_control parameter can take on one of the following two values:

- DISABLE: Used by the Auto-Negotiation function to disable the PHY.
- ENABLE: Used by the Auto-Negotiation function to enable the PHY.

146.2.1.2 When generated

Auto-Negotiation generates this primitive to indicate a change in link_control as described in 98.4.

146.2.1.3 Effect of receipt

This primitive affects operation of the PMA Link Monitor function as described in 146.4.4 and the PMA Link Monitor function as described in 146.4.5.

146.2.2 PMA_LINK.indication

This primitive is generated by the PMA to indicate the status of the underlying medium as specified in 98.4.1. This primitive informs the Auto-Negotiation functions about the status of the underlying link.

146.2.2.1 Semantics of the primitive

PMA_LINK.indication (link_status)

The link_status parameter can take on the following two values:

FAIL	No valid link established.
OK	The Link Monitor function indicates that a valid 10BASE-T1L link is established. Reliable reception of signals transmitted from the remote PHY is possible.

146.2.2.2 When generated

The PMA generates this primitive to indicate a change in link_status in compliance with the state diagram given in Figure 146–18.

146.2.2.3 Effect of receipt

The effect of receipt of this primitive is specified in 98.4.1.

146.2.3 PMA_TXMODE.indication

The transmitter in a 10BASE-T1L link normally sends symbols over the MDI that represent an MII data stream with framing, scrambling and encoding of data, control information, or idles.

146.2.3.1 Semantics of the primitive

PMA_TXMODE.indication (tx_mode)

The PMA_TXMODE.indication specifies to PCS Transmit, via the parameter tx_mode, what sequence of symbols the PCS should be transmitting. The parameter tx_mode can take on one of the following three values of the form:

SEND_N	This value is continuously asserted during transmission of sequences of symbols representing an MII data stream in the data mode.
SEND_I	This value is continuously asserted when transmission of sequences of idle symbols is to take place.
SEND_Z	This value is continuously asserted when transmission of sequences of zeros is required.

146.2.3.2 When generated

The PMA PHY Control function generates PMA_TXMODE.indication messages to indicate a change in tx_mode.

146.2.3.3 Effect of receipt

Upon receipt of this primitive, the PCS performs its transmit function as described in 146.3.3.

146.2.4 PMA_UNITDATA.indication

This primitive defines the transfer of symbols in the form of the rx_symb_vector parameter from the PMA to the PCS.

146.2.4.1 Semantics of the primitive

PMA_UNITDATA.indication (rx_symb_vector)

During reception, the PMA_UNITDATA.indication conveys to the PCS, via the parameter rx_symb_vector, the value of symbols detected on the MDI during each cycle of the recovered clock.

146.2.4.2 When generated

The PMA generates PMA_UNITDATA.indication (rx_symb_vector) messages synchronously for every symbol received at the MDI. The nominal rate of the PMA_UNITDATA.indication primitive is 7.5 MHz, as governed by the recovered clock.

146.2.4.3 Effect of receipt

The effect of receipt of this primitive is unspecified.

146.2.5 PMA_UNITDATA.request

This primitive defines the transfer of symbols in the form of the tx_symb_vector parameter from the PCS to the PMA. The symbols are obtained in the PCS Transmit function using the encoding rules defined in 146.3.3 to represent MII data, idle data, or zero data.

146.2.5.1 Semantics of the primitive

PMA_UNITDATA.request (tx_symb_vector)

During transmission, the PMA_UNITDATA.request simultaneously conveys to the PMA, via the parameter tx_symb_vector, the value of the symbols to be sent over the MDI. The tx_symb_vector may take on one of the values in the set $\{-1, 0, +1\}$.

146.2.5.2 When generated

The PCS generates PMA_UNITDATA.request (tx_symb_vector) synchronously with every transmit clock cycle.

146.2.5.3 Effect of receipt

Upon receipt of this primitive the PMA transmits on the MDI the signals corresponding to the indicated symbols after processing with optional transmit filtering and other specified PMA Transmit processing.

146.2.6 PMA_RXSTATUS.indication

This primitive is generated by PMA Receive to indicate the status of the receive link at the local PHY. The parameter `loc_rcvr_status` conveys to the PCS Receive and PMA PHY Control function the information on whether the status of the overall receive link is satisfactory or not. The criterion for setting the parameter `loc_rcvr_status` is left to the implementer. It can be based, for example, on observing the mean-square error at the decision point of the receiver and detecting disparity errors during reception of the symbol stream.

146.2.6.1 Semantics of the primitive

PMA_RXSTATUS.indication (`loc_rcvr_status`)

The `loc_rcvr_status` parameter can take on one of two values of the following form:

OK	This value is asserted and remains true during reliable operation of the receive link for the local PHY.
NOT_OK	This value is asserted whenever operation of the link for the local PHY is unreliable.

146.2.6.2 When generated

PMA Receive generates PMA_RXSTATUS.indication messages to indicate a change in `loc_rcvr_status` on the basis of signals received at the MDI.

146.2.6.3 Effect of receipt

The effect of receipt of this primitive is specified in 146.3.3.4.3 and 146.3.4.

146.2.7 PMA_REMRXSTATUS.request

This primitive is generated by PMA Receive to indicate the status of the receive link at the remote PHY as communicated by the remote PHY via its encoding of its `loc_rcvr_status` parameter. The parameter `rem_rcvr_status` conveys to the PMA PHY Control function the information on whether reliable operation of the remote PHY is detected or not. The parameter `rem_rcvr_status` is set to the value received within the idle data stream of the remote PHY.

146.2.7.1 Semantics of the primitive

PMA_REMRXSTATUS.request (`rem_rcvr_status`)

The `rem_rcvr_status` parameter can take on one of two values of the following form:

OK	The receive link of the remote PHY is operating reliably.
NOT_OK	Reliable operation of the receive link for the remote PHY is not detected.

146.2.7.2 When generated

The PCS generates PMA_REMRXSTATUS.request messages to indicate a change in `rem_rcvr_status` based on the PCS decoding the `loc_rcvr_status` bit in the idle data received from the remote PHY.

146.2.7.3 Effect of receipt

The effect of receipt of this primitive is specified in 146.4.4.

146.2.8 PMA_SCRSTATUS.request

This primitive is generated by PCS Receive to communicate the status of the descrambler for the local PHY. The parameter `scr_status` conveys to the PMA Receive function the information that the descrambler has achieved synchronization.

146.2.8.1 Semantics of the primitive

PMA_SCRSTATUS.request (`scr_status`)

The `scr_status` parameter can take on one of two values of the following form:

OK	The descrambler has achieved synchronization.
NOT_OK	The descrambler is not synchronized.

146.2.8.2 When generated

PCS Receive generates PMA_SCRSTATUS.request messages to indicate a change in `scr_status`.

146.2.8.3 Effect of receipt

The effect of receipt of this primitive is specified in Figure 146–15.

146.2.9 PMA_TXEN.request (tx_enable_mii)

This primitive is generated by PCS Data Transmission Enable function to communicate the status of the `tx_enable_mii` signal to the PMA. The parameter `tx_enable_mii` conveys to the PMA PHY Control function the information about the actual data transmission status.

146.2.9.1 Semantics of the primitive

PMA_TXEN.request (`tx_enable_mii`)

The `tx_enable_mii` parameter can take on one of two values of the following form:

TRUE	Transmission is enabled.
FALSE	Transmission is disabled.

146.2.9.2 When generated

PCS Data Transmission Enable function generates PMA_TXEN.request messages to indicate a change in `tx_enable_mii` variable.

146.2.9.3 Effect of receipt

The effect of receipt of this primitive is specified in Figure 146–15.

146.2.10 PMA_RX_LPI_STATUS.request (rx_lpi_active)

When the PHY supports the EEE capability, this primitive is generated by the PCS receive function to indicate the status of the receive link of the local PHY. The parameter PMA_RX_LPI_STATUS.request conveys to the PMA receive function and the PMA PHY control function information regarding whether the PCS receive function is in the LPI receive mode.

146.2.10.1 Semantics of the primitive

PMA_RX_LPI_STATUS.request (rx_lpi_active)

The rx_lpi_active parameter can take on one of two values of the following form:

TRUE	The PCS receive function is in the LPI receive mode.
FALSE	The PCS receive function is not in the LPI receive mode.

146.2.10.2 When generated

The PCS generates PMA_RX_LPI_STATUS.request messages to indicate a change in the rx_lpi_active variable as described in Figure 146–9 and Figure 146–10.

146.2.10.3 Effect of receipt

The receiver may adjust the clock recovery while being in low power idle mode. Additionally, checking of the descrambler status in the PHY control state diagram is suppressed, as the receiver is disabled.

146.2.11 PMA_TX_LPI_STATUS.request (tx_lpi_active)

When the PHY supports the EEE capability, this primitive is generated by the PCS transmit function to indicate the status of “Assert Low Power Idle” on the MII. The parameter PMA_TX_LPI_STATUS.request conveys to the PMA control function information regarding whether the PCS transmit function is receiving “Assert Low Power Idle” on the MII.

146.2.11.1 Semantics of the primitive

PMA_TX_LPI_STATUS.request (tx_lpi_active)

The tx_lpi_active parameter can take on one of two values of the following form:

TRUE	The PCS transmit function is receiving “Assert Low Power Idle” on the MII.
FALSE	The PCS transmit function is not receiving “Assert Low Power Idle” on the MII.

146.2.11.2 When generated

The PCS generates PMA_TX_LPI_STATUS.request messages to indicate a change in the tx_lpi_active variable to the PMA PHY control function. Tx_lpi_active is set to true if “Assert Low Power Idle” is received from the MII; otherwise, it is set to false.

146.2.11.3 Effect of receipt

The effect of receipt of this primitive is specified in Figure 146–15 and Figure 146–17.

146.2.12 PMA_TX_LPI_STATUS.indication

When the PHY supports the EEE capability, this primitive is generated by the PMA PHY control function to indicate a sleep or wake event. The parameter PMA_TX_LPI_STATUS.indication conveys to the PCS transmit function information regarding whether the PHY should indicate a sleep or a wake event to the remote PHY.

146.2.12.1 Semantics of the primitive

PMA_TX_LPI_STATUS.indication (loc_lpi)

The loc_lpi parameter can take on one of two values of the following form:

- TRUE Communicate to the remote PHY that LPI mode will be entered by the local PHY.
- FALSE Communicate to the remote PHY that normal IDLE mode will be entered by the local PHY.

146.2.12.2 When generated

The PMA generates PMA_TX_LPI_STATUS.indication messages to indicate a change in the loc_lpi variable.

146.2.12.3 Effect of receipt

The effect of receipt of this primitive is specified in 146.3.3.4.3.

146.3 Physical Coding Sublayer (PCS) functions

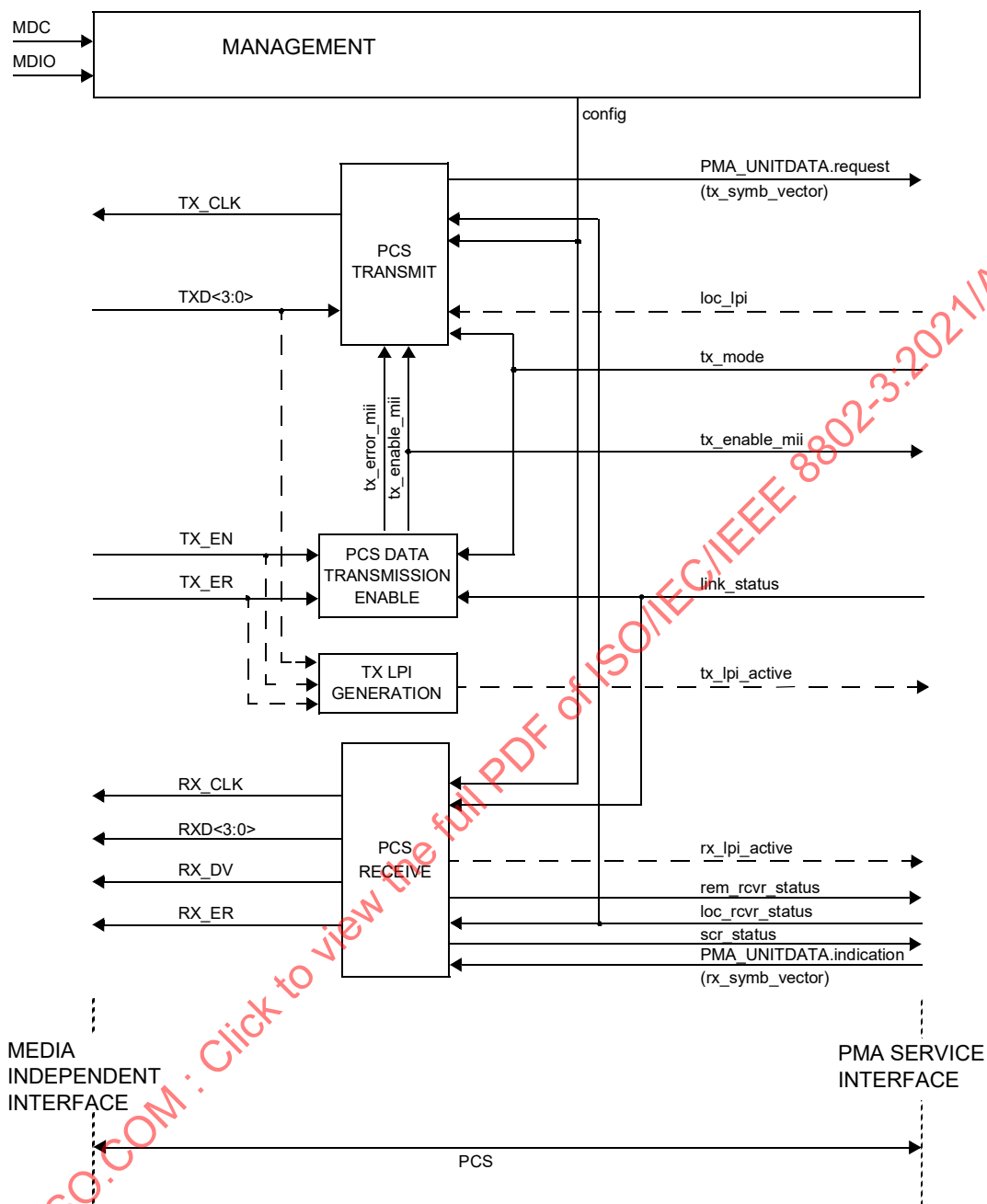
The Physical Coding Sublayer (PCS) consists of PCS Reset, the PCS Data Transmission Enable, PCS Transmit, and PCS Receive functions as shown in Figure 146–3. The PCS Reset function is explained in 146.3.1, the PCS Data Transmission Enable function is explained in 146.3.2, the PCS Transmit function is explained in 146.3.3, the PCS Receive function is explained in 146.3.4, and the PCS Loopback function is explained in 146.3.5.

146.3.1 PCS Reset function

PCS reset initializes all PCS functions. The PCS Reset function shall be executed whenever one of the following conditions occur:

- a) Power on (see 36.2.5.1.3).
- b) The receipt of a request for reset from the management entity.

PCS Reset shall set pcs_reset = TRUE while any of the above reset conditions holds true. All state diagrams take the open-ended pcs_reset branch upon execution of PCS Reset. The reference diagrams do not explicitly show the PCS Reset function.



NOTE—Signals shown with dashed lines are required only for EEE capability.

Figure 146-3—PCS reference diagram

146.3.2 PCS Data Transmission Enable

The PCS Data Transmission Enable function shall conform to the PCS data transmission enabling state diagram in Figure 146–4. When tx_mode is equal to SEND_N, the signals tx_enable_mii and tx_error_mii are equal to the values of the MII signals TX_EN and TX_ER respectively; otherwise, tx_enable_mii and tx_error_mii are set to the value FALSE.

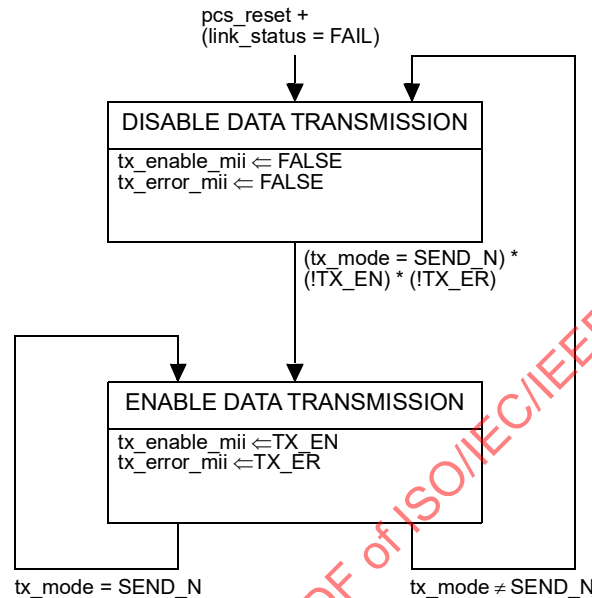


Figure 146–4—PCS data transmission enabling state diagram

146.3.2.1 Variables

- link_status
 The link_status parameter set by PMA Link Monitor and passed to the PCS via the PMA_LINK.indication primitive.
 Values: OK or FAIL
- pcs_reset
 The pcs_reset parameter set by the PCS Reset function.
 Values: TRUE or FALSE
- tx_enable_mii
 The tx_enable_mii variable is generated in the PCS data transmission enabling state diagram as specified in Figure 146–4. When this variable is set to FALSE transmission is disabled, when set to TRUE transmission is enabled.
 Values: TRUE or FALSE
- tx_error_mii
 The tx_error_mii variable is generated in the PCS data transmission enabling state diagram as specified in Figure 146–4. When this variable is set to FALSE it indicates a non-errored transmission, when set to TRUE it indicates an errored transmission.
 Values: TRUE or FALSE

TX_EN	The TX_EN signal of the MII as specified in 22.2.2.3.
TX_ER	The TX_ER signal of the MII as specified in 22.2.2.5.
tx_mode	The tx_mode parameter set by the PMA PHY Control function and passed to the PCS via the PMA_TXMODE.indication primitive. Values: SEND_Z, SEND_N, or SEND_I

146.3.3 PCS Transmit

The PCS Transmit function shall conform to the PCS Transmit state diagram in Figure 146–5 (see 146.3.3.1.6) and the PCS Transmit multiplexer state diagram in Figure 146–6 (see 146.3.3.2.4) and to the associated state variables, functions, timers, and messages.

146.3.3.1 PCS Transmit state diagram

Upon the assertion of TX_EN, the PCS Transmit state diagram passes an SSD of 4 code-groups to the PMA, which replaces the first 2 bytes of the preamble. Following SSD, TXD[3:0] is encoded into ternary symbols using encoding rules, specified in 146.3.3.5.1, until TX_EN is de-asserted.

Following the de-assertion of TX_EN, a special code ESD (or ERR_ESD when a transmit error is encountered, which means that TX_ER was high at any point during the transmission) of 4 code-groups is generated, after which the transmission of idle mode according to 146.3.3.5.1 is resumed.

10BASE-T1L has one special code-group {0, 0, 0} that is not used by Idle or Data symbols. This code-group is used for the COMMA symbols within the delimiters. See Figure 146–5 for more details.

The 10BASE-T1L PHY supports normal operation and link training operation. In training operation, the PCS ignores signals from the MII and sends only the idle signals to the PMA until the training process is complete.

If tx_mode has the value SEND_Z, PCS Transmit passes a vector of zeros at each symbol period to the PMA.

If tx_mode has the value SEND_I, PCS Transmit generates sequences of symbols according to the encoding rule in idle mode as described in 146.3.3.5.1.

If tx_mode has the value SEND_N, PCS Transmit generates symbols A_n at each symbol period representing data, special control symbols like SSD/ESD, or IDLE symbols as defined in 146.3.3.5.1. The transition from idle to data is signaled by an SSD and the end of transmission of data is signaled by an ESD.

During training operation (when tx_mode is SEND_I), knowledge of the transmitted symbols may be used at the receiver side to perform any signal conditioning necessary for meeting the required performance during normal operation. When the link is up, the PHY enters SEND_N mode and the transmitted PAM3 symbols are used at the receiver PHY for continued clock frequency/phase tracking.

146.3.3.1.1 Variables

- error**
PCS local variable that records if an errored transmission has occurred during data transmission.
Values: TRUE or FALSE
- pcs_reset**
The pcs_reset parameter set by the PCS Reset function.
Values: TRUE or FALSE
- tx_enable_mii**
The tx_enable_mii variable is generated in the PCS data transmission enabling state diagram as specified in Figure 146-4. When this variable is set to FALSE transmission is disabled, when set to TRUE transmission is enabled.
Values: TRUE or FALSE
- tx_error_mii**
The tx_error_mii variable is generated in the PCS data transmission enabling state diagram as specified in Figure 146-4. When this variable is set to FALSE it indicates a non-errored transmission, when set to TRUE it indicates an errored transmission.
Values: TRUE or FALSE
- tx_mode**
The tx_mode parameter set by the PMA PHY Control function and passed to the PCS via the PMA_TXMODE.indication primitive.
Values: SEND_Z, SEND_N, or SEND_I
- loc_rcvr_status**
The loc_rcvr_status parameter set by the PMA Receive function and passed to the PCS via the PMA_RXSTATUS.indication primitive.
Values: OK or NOT_OK
- loc_lpi**
The variable loc_lpi is set by the PHY Control function in the PMA to indicate that it has entered low power idle mode.
Values: TRUE or FALSE
- Sy_n[4:0]**
The Sy_n[4:0] bits from the scrambler as defined in 146.3.3.4.2.
- Sd_n[3:0]**
The Sd_n[3:0] signal of the scrambler output as defined in 146.3.3.4.3.
- Tx_n**
Alias for tx_symb_vector at time n.
- tx_code_group {TA_n, TB_n, TC_n}**
A triplet of ternary symbols generated by the PCS Transmit state diagram. These include 4B3T encoded data and assigned values (see 146.3.3.5). The element TA_n is the first ternary symbol transmitted; TC_n is the last ternary symbol transmitted.
Value: A triplet of ternary transmit symbols. Each of the ternary symbols may take on one of the values {−1, 0, +1}.
- tx_disparity**
PCS local variable containing the running disparity. After PCS Reset, the initial value shall be set to 2.
Values: 1 to 4, depending on running disparity.

146.3.3.1.2 Functions

ENCODE

In the PCS Transmit process, this function takes as its arguments $Sd_n[3:0]$ and the $tx_disparity$ and returns the corresponding tx_code_group as well as the updated $tx_disparity$. ENCODE follows the 4B3T rules defined in 146.3.3.5.1.

$$\{tx_code_group, tx_disparity\} = ENCODE(Sd_n[3:0], tx_disparity)$$

The $tx_disparity$ can be between 1 and 4 and the respective tx_code_group is taken from the 4B3T encoding rules defined in Table 146–1 based on the $Sd_n[3:0]$ value and the $tx_disparity$:

$$tx_code_group = table_{4B3T}(Sd_n[3:0], tx_disparity)$$

The second output value of this function is an updated $tx_disparity$ value, which is calculated in the following way:

$$tx_disparity = tx_disparity + disparity\ of\ currently\ encoded\ tx_code_group$$

DISPRES

The function DISPRES returns one of the eight possible DISPRESET3 values for tx_code_group (see Table 146–2), depending on the values of $Sy_n[4]$ and $tx_disparity$:

$$tx_code_group = table_{DISPRESET3}(Sy_n[4], tx_disparity)$$

RND_SSD4

The function RND_SSD4 takes $Sy_{n-1}[4]$ as its argument and returns the corresponding tx_code_group as well as the updated $tx_disparity$.

$$\{tx_code_group, tx_disparity\} = RND_SSD4(Sy_{n-1}[4])$$

The returned tx_code_group corresponds to one of the two possible SSD4 code-groups (see Table 146–3), depending on the value of $Sy_{n-1}[4]$:

$$tx_code_group = table_{SSD4}(Sy_{n-1}[4])$$

The returned $tx_disparity$ also depends on the value of $Sy_{n-1}[4]$ as follows:

$$tx_disparity = \begin{cases} 2, & \text{if } Sy_{n-1}[4] = 0 \\ 3, & \text{otherwise} \end{cases}$$

RND_ESD4

The function RND_ESD4 takes $Sy_{n-1}[4]$ as its argument and returns the corresponding tx_code_group as well as the updated $tx_disparity$.

$$\{tx_code_group, tx_disparity\} = RND_ESD4(Sy_{n-1}[4])$$

The returned tx_code_group corresponds to one of the two possible ESD4 code-groups (see Table 146–3), depending on the value of $Sy_{n-1}[4]$:

$$tx_code_group = table_{ESD4}(Sy_{n-1}[4])$$

The returned $tx_disparity$ also depends on the value of $Sy_{n-1}[4]$ as follows:

$$tx_disparity = \begin{cases} 2, & \text{if } Sy_{n-1}[4] = 0 \\ 3, & \text{otherwise} \end{cases}$$

RND_ESD_ERR4

The function RND_ESD_ERR4 takes $Sy_{n-1}[4]$ as its argument and returns the corresponding tx_code_group as well as the updated tx_disparity.

$$\{tx_code_group, tx_disparity\} = RND_ESD_ERR4(Sy_{n-1}[4])$$

The returned tx_code_group corresponds to one of the two possible ESD_ERR4 code-groups (see Table 146-3), depending on the value of $Sy_{n-1}[4]$:

$$tx_code_group = table_{ESD_ERR4}(Sy_{n-1}[4])$$

The returned tx_disparity also depends on the value of $Sy_{n-1}[4]$ as follows:

$$tx_disparity = \begin{cases} 2, & \text{if } Sy_{n-1}[4] = 0 \\ 3, & \text{otherwise} \end{cases}$$

146.3.3.1.3 Timers

symb_triplet_timer

A continuous free-running timer that shall expire synchronously with every third expiration of symb_timer. TX_CLK (see 22.2.2.1) shall be generated from symb_triplet_timer with the rising edge of TX_CLK generated synchronously with symb_triplet_timer_done.

Restart time: Immediately after expiration; restarting the timer resets the condition symb_triplet_timer_done.

Duration: Three symbol times (see 146.5.4.5)

146.3.3.1.4 Abbreviations

STD

Alias for symb_triplet_timer_done.

146.3.3.1.5 Constants

COMMA

A vector of three ternary symbols in the first or second code-group of any delimiter as specified in 146.3.3.5.1.

ZERO

A vector of three zero symbols sent when tx_mode = SEND_Z as specified in 146.3.3.5.2.

146.3.3.1.6 State diagram

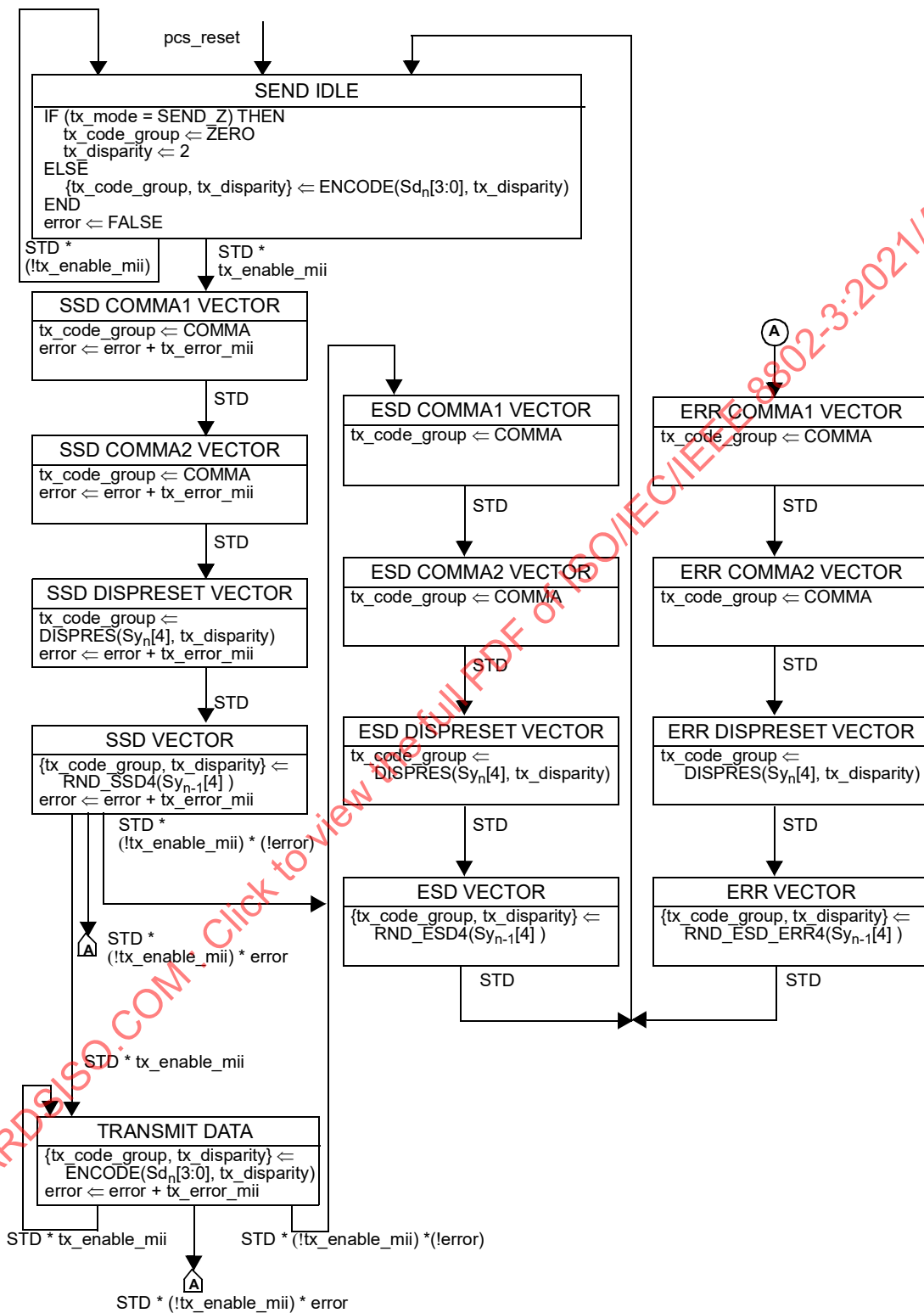


Figure 146–5—PCS Transmit state diagram

146.3.3.2 PCS Transmit multiplexer state diagram

In each symbol period, the PCS Transmit multiplexer generates a ternary symbol that can take the values of $\{-1, 0, +1\}$ and passes it to the PMA sublayer via the PMA_UNITDATA.request primitive. The nominal symbol clock frequency is specified in 146.5.4.5.

146.3.3.2.1 Variables

pcs_reset

The pcs_reset parameter set by the PCS reset function.
Values: TRUE or FALSE

tx_symb_vector

A ternary symbol generated through serialization of tx_code_group. This symbol is conveyed to the PMA as the parameter of a PMA_UNITDATA.request(tx_symb_vector) service primitive.

Values: A ternary transmit symbol. The ternary symbol may take on one of the values $\{-1, 0, +1\}$.

tx_code_group $\{TA_n, TB_n, TC_n\}$

A triplet of ternary symbols generated by the PCS Transmit state diagram. The element TA_n is the first ternary symbol transmitted; TC_n is the last ternary symbol transmitted.

Value: A triplet of ternary transmit symbols. Each of the ternary symbols may take on one of the values $\{-1, 0, +1\}$.

146.3.3.2.2 Timers

symb_timer

A continuous free-running timer. The symb_timer expires when the PMA_UNITDATA.request is serviced, synchronously with TX_TCLK.

Continuous timer: The condition symb_timer_done becomes true upon timer expiration.

Restart time: Immediately after expiration; restarting the timer resets the condition symb_timer_done.

Duration: One symbol time (see 146.5.4.5)

146.3.3.2.3 Abbreviations

PUDR

Alias for PMA_UNITDATA.request(tx_symb_vector).

146.3.3.2.4 State diagram

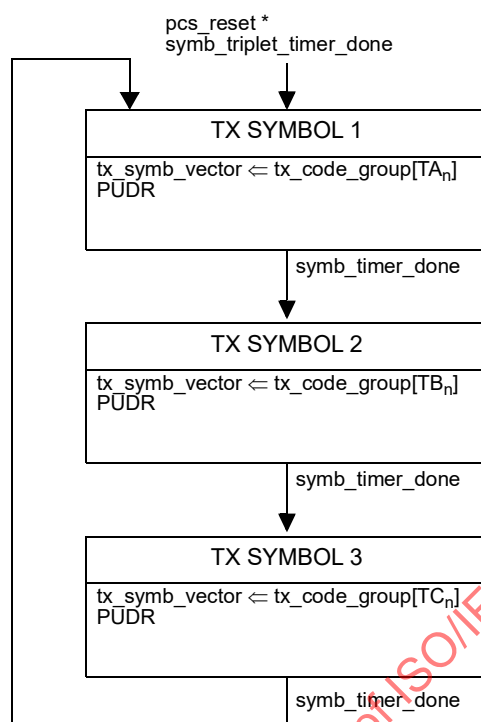


Figure 146-6—TX multiplexer state diagram

146.3.3.3 PCS Transmit symbol generation

The reference diagram of transmit symbol generation is indicated in Figure 146-7. The tx_code_group is the code-group {TA_n, TB_n, TC_n}.

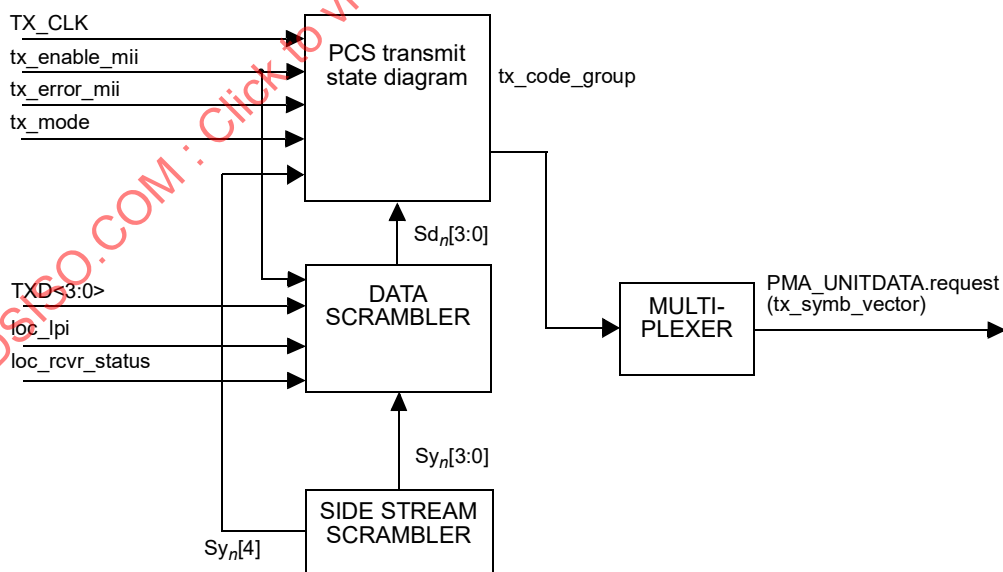


Figure 146-7—PCS transmit symbol generation

146.3.3.4 Data and idle stream scrambling

The scrambled bits $Sd_n[3:0]$ used by the ENCODE function defined in 146.3.3.1.2 are generated as follows.

146.3.3.4.1 Side-stream scrambler polynomial

The PCS Transmit function shall employ side-stream scrambling. For the master PHY, PCS Transmit shall employ

$$g_m(x) = 1 + x^{13} + x^{33} \tag{146-1}$$

as transmitter side-stream scrambler generator polynomial. For the slave PHY, PCS Transmit shall employ

$$g_s(x) = 1 + x^{20} + x^{33} \tag{146-2}$$

as transmitter side-stream scrambler generator polynomial. An implementation of master and slave PHY side-stream generator polynomials by linear-feedback shift registers is shown in Figure 146–8. The bits stored in the shift register delay line at time n are denoted by $Scr_n[32:0]$. At each tx_code_group period, the shift register is advanced by one bit, and one new bit represented by $Scr_n[0]$ is generated. The transmitter side-stream scrambler is reset upon execution of the PCS Reset function. If PCS Reset is executed, all bits of the 33-bit vector representing the side-stream scrambler state are arbitrarily set. The initialization of the scrambler state is left to the implementer. The scrambler state shall not be initialized to all zeros.

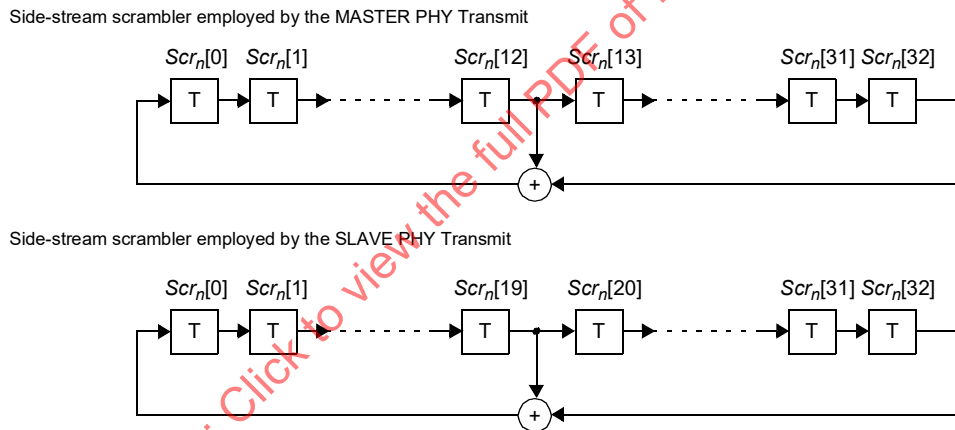


Figure 146–8—A realization of side-stream scramblers by linear feedback shift registers

146.3.3.4.2 Generation of $Sy_n[3:0]$

PCS Transmit encoding rules are based on the generation, at time n , of the five bits $Sy_n[4:0]$. The four bits $Sy_n[3:0]$ are used for de-correlating the MII data word $TXD<3:0>$ during data transmission and for generating the idle symbols. The bit $Sy_n[4]$ is used to randomize the frame delimiters. These five bits are generated as described below, using the auxiliary generating polynomial, $g(x)$ defined in Equation (146–3):

$$g(x) = x^3 \wedge x^8 \tag{146-3}$$

The five bits $Sy_n[4:0]$ shall be generated using the bit $Scr_n[0]$ and $g(x)$ as in the following equations:

$$\begin{aligned} Sy_n[0] &= Scr_n[0] \\ Sy_n[1] &= g(Scr_n[0]) = Scr_n[3] \wedge Scr_n[8] \\ Sy_n[2] &= g^2(Scr_n[0]) = Scr_n[6] \wedge Scr_n[16] \\ Sy_n[3] &= g^3(Scr_n[0]) = Scr_n[9] \wedge Scr_n[14] \wedge Scr_n[19] \wedge Scr_n[24]. \\ Sy_n[4] &= g^4(Scr_n[0]) = Scr_n[12] \wedge Scr_n[32] \end{aligned}$$

By construction, the five bits $Sy_n[4:0]$ are derived from elements of the same maximum-length shift register sequence of length $2^{33}-1$ as $Scr_n[0]$, but shifted in time by varying delays. The associated delays are all large and different so that there is no apparent correlation among the bits.

146.3.3.4.3 Generation of scrambled bits $Sd_n[3:0]$

From scrambler bits $Sy_n[3:0]$ and $TXD_n[3:0]$, bits $Sd_n[3:0]$ shall be generated as follows:

$$Sd_n[3] = \begin{cases} Sy_n[3] \wedge TXD_n[3] & \text{if (tx_enable_mii = TRUE)} \\ Sy_n[3] \wedge 1 & \text{else if (loc_rcvr_status = OK)} \\ Sy_n[3] & \text{else} \end{cases}$$

$$Sd_n[2] = \begin{cases} Sy_n[2] \wedge TXD_n[2] & \text{if (tx_enable_mii = TRUE)} \\ Sy_n[1] \wedge 1 & \text{else if (loc_lpi = TRUE)} \\ Sy_n[1] & \text{else} \end{cases}$$

$$Sd_n[1:0] = \begin{cases} Sy_n[1:0] \wedge TXD_n[1:0] & \text{if (tx_enable_mii = TRUE)} \\ (Sy_n[2], Sy_n[0]) & \text{else} \end{cases}$$

Note that during transmission of idles, bits $Sy_n[1]$ and $Sy_n[2]$ shall be swapped, compared to data transmission, to reliably distinguish idle data transmission from data transmission at the receiver side.

146.3.3.5 Generation of code-groups

The PCS transmit state diagram generates code-groups as follows. A code-group $\{TA_n, TB_n, TC_n\}$ is sent in the following order: $TA_n, TB_n, TC_n, TA_{n+1}, TB_{n+1}, TC_{n+1}, \dots$

146.3.3.5.1 Generation of code-groups in mode SEND_N and SEND_I

Both SEND_I and SEND_N use the following ternary symbol encoding. The scrambled bits $Sd_n[3:0]$ are converted to a code-group $\{TA_n, TB_n, TC_n\}$ using the 4B3T algorithm in conjunction with a running disparity value, shown in Table 146–1. The 4B3T coding is DC-free. To achieve this, the difference between the number of transmitted “+1” and “–1” symbols is limited. The running disparity reflects this difference and is used to choose the coding of the next symbol.

The code-group $\{0, 0, 0\}$ is used as the COMMA value and never occurs during normal 4B3T mapping. This can also be used to synchronize the receiver’s demultiplexer code-group boundary during training.

Table 146-1—4B3T encoding

Sd _n [3:0]	Disparity = 1 {TA _n , TB _n , TC _n }		Disparity = 2 {TA _n , TB _n , TC _n }		Disparity = 3 {TA _n , TB _n , TC _n }		Disparity = 4 {TA _n , TB _n , TC _n }	
	Code-Group ¹	Disparity Change	Code-Group	Disparity Change	Code-Group	Disparity Change	Code-Group	Disparity Change
0000	+0+	2	0-0	-1	0-0	-1	0-0	-1
0001	0-+	0	0-+	0	0-+	0	0-+	0
0010	+ -0	0	+ -0	0	+ -0	0	+ -0	0
0011	00+	1	00+	1	00+	1	--0	2
0100	-+0	0	-+0	0	-+0	0	-+0	0
0101	0++	2	-00	-1	-00	-1	-00	-1
0110	-++	1	-++	1	--+	-1	--+	-1
0111	-0+	0	-0+	0	-0+	0	-0+	0
1000	+00	1	+00	1	+00	1	0--	-2
1001	+--+	1	+--+	1	+--+	1	---	-3
1010	++-	1	++-	1	+0-	-1	++-	-1
1011	+0-	0	+0-	0	+0-	0	+0-	0
1100	+++	3	-+-	-1	-+-	-1	-+-	-1
1101	0+0	1	0+0	1	0+0	1	-0-	-2
1110	0+-	0	0+-	0	0+-	0	0+-	0
1111	++0	2	00-	-1	00-	-1	00-	-1

NOTE—The Code-Group is {TA_n, TB_n, TC_n}.

¹In Table 146-1 ‘-’ is an abbreviation for the ternary symbol value ‘-1’ and ‘+’ is an abbreviation for the ternary symbol value ‘+1’.

The DISPRESET3 code-group, together with the following fourth code-group, is used to bring back the running disparity to a defined value of either 2 or 3, depending on the value of bit Sy_n[4] from the scrambler. The coding shown in Table 146-2 is used for the DISPRESET3 code-group.

Table 146-2—Disparity reset

DISPRESET3	Disparity = 1	Disparity = 2	Disparity = 3	Disparity = 4
Sy _n [4] = 0	{-1, 0, +1}	{-1, 0, 0}	{-1, 0, -1}	{-1, -1, -1}
Sy _n [4] = 1	{+1, +1, +1}	{+1, 0, +1}	{+1, 0, 0}	{+1, 0, -1}

The fourth code-group (SSD4/ESD4/ESD_ERR4) is encoded as shown in Table 146–3:

Table 146–3—Delimiters

	Delimiter	{TA _n , TB _n , TC _n }
Sy _n [4] = 0	SSD4	{+1, +1, -1}
	ESD4	{+1, -1, +1}
	ESD_ERR4	{-1, +1, +1}
Sy _n [4] = 1	SSD4	{-1, -1, +1}
	ESD4	{-1, +1, -1}
	ESD_ERR4	{+1, -1, -1}

146.3.3.5.2 Generation of code-groups in mode SEND_Z

The code-group {TA_n, TB_n, TC_n} is a zero vector {0, 0, 0} when tx_mode = SEND_Z.

146.3.4 PCS Receive

146.3.4.1 PCS Receive overview

The PCS Receive function shall conform to the PCS Receive state diagram in Figure 146–9 and associated state variables.

The received code-group Rx_n, generated by PCS Receive at time n, is decoded using the inverse of the mapping shown in Table 146–1. The result of the decoding is Sr_n[3:0].

The PCS Receive function shall conform to the Receive watchdog state diagram in Figure 146–11. This prevents the possible lock-up of the PCS Receive state diagram in the DATA state due to mis-detection of an ESD. The maximum dwelling time in DATA state shall be less than the period specified for rcv_max_timer. When rcv_max_timer expires, the PCS Receive state diagram is reset and transitions to IDLE.

In Figure 146–9, there are a total of five states after SSD4 detection before the DATA state; meanwhile, there are also five states before the IDLE state (including the DATA state) that perform data decoding. As a result, the depth of the data flush-in delay line is the same as the flush-out delay line ensuring correct packet reception at the MII. These delay lines are necessary to decode the stream delimiters prior to forwarding the received data to the MII interface.

The variables, functions, and timers used in Figure 146–9, Figure 146–10, and Figure 146–11 (in 146.3.4.1.5) are defined next. For the definition of IDLE, COMMA, DISPRESET3, SSD4, ESD4, and ESD_ERR4, see 146.3.3.5.1.

146.3.4.1.1 Variables

- pcs_reset**
The pcs_reset parameter set by the PCS Reset function.
Values: TRUE or FALSE
- link_status**
The link_status parameter set by PMA Link Monitor and passed to the PCS via the PMA_LINK.indication primitive.
Values: OK or FAIL
- receiving**
Generated by the PCS Receive function; if set as TRUE, it indicates that the PCS is in Data mode.
Values: TRUE or FALSE
- loc_rcvr_status**
The loc_rcvr_status parameter set by the PMA Receive function and passed to the PCS via the PMA_RXSTATUS.indication primitive.
Values: OK or NOT_OK
- lpi_enabled**
This variable indicates whether Energy Efficient Ethernet is enabled for the PHY or not. If Auto-Negotiation is enabled, lpi_enabled reflects whether both PHYs have EEE capability advertised. If Auto-Negotiation is not enabled, and MDIO is implemented, lpi_enabled reflects bit 1.2294.10 as described in 45.2.1.186a.5.
Values: TRUE or FALSE
- RX_ER**
The RX_ER signal of the MII as specified in 22.2.2.10.
- RX_DV**
The RX_DV signal of the MII as specified in 22.2.2.7.
- RXD[3:0]**
The RXD signal of the MII as specified in 22.2.2.8.
- Rx_n**
Received code-group generated by PCS Receive at time n.
- rx_lpi_active**
This variable indicates to the PMA receive function if the receive state diagram is in low power idle state.
Values: TRUE or FALSE
- rx_symb_vector**
A vector of ternary symbols received by the PMA and passed to the PCS via the PMA_UNITDATA.indication primitive.
Value: single ternary symbol
- rx_disparity**
PCS local variable containing the calculated running disparity at the receiver side. After PCS Reset, the initial value shall be set to 2.
Values: 1 to 4, depending on running disparity.
- scr_status**
The scr_status parameter as communicated by the PMA_SCRSTATUS.request primitive.
Values: OK: The descrambler has achieved synchronization.
NOT_OK: The descrambler is not synchronized.

disparity_error

The `disparity_error` is set by the 4B3T decoder in the receiver, when a `rx_code_group` is received that is not allowed according to the running disparity calculated in the decoder.

Values: TRUE or FALSE

rcv_overnrun_detected

Variable set as TRUE when in RECEIVE OVERRUN state as shown in Receive watchdog state diagram in Figure 146–11 and set FALSE otherwise.

Values: TRUE or FALSE

146.3.4.1.2 Functions**valid_idle**

This function checks whether the decoded data bits $Sr_n[1:0]$ are equal to the expected $Sd_n[1:0]$ values from the local descrambler.

Values: TRUE or FALSE

check_idle

The `check_idle` function indicates a reliable detection of the idle data stream.

Values: TRUE or FALSE

rem_lpi

The `rem_lpi` function provides reliable detection of the received `loc_lpi` information from the remote PHY within the IDLE data stream.

Values: TRUE or FALSE

valid_dispreset

Determines if the received code-group is one of the DISPRESET3 code-groups as specified in 146.3.3.5.1. It returns a Boolean value indicating whether or not one of the eight possible DISPRESET3 code-groups has been received.

Values: TRUE or FALSE

valid_ssd4

Determines if the received code-group is one of the SSD4 code-groups as specified in 146.3.3.5.1. It returns a Boolean value indicating whether or not one of the two possible SSD4 code-groups has been received.

Values: TRUE or FALSE

valid_esd4

Determines if the received code-group is one of the ESD4 code-groups as specified in 146.3.3.5.1. It returns a Boolean value indicating whether or not one of the two possible ESD4 code-groups has been received.

Values: TRUE or FALSE

valid_esd_err4

Determines if the received code-group is one of the ESD_ERR4 code-groups as specified in 146.3.3.5.1. It returns a Boolean value indicating whether or not one of the two possible ESD_ERR4 code-groups has been received.

Values: TRUE or FALSE

DESCRAMBLE

This function takes as its arguments the value of Rx_n and returns the descrambler output according to 146.3.4.3.

DECODE

In the PCS Receive process, this function takes as its arguments the value of the received code-group and `rx_disparity` and returns the corresponding `RXD[3:0]` as well as the updated `rx_disparity`. DECODE follows the rules outlined in 146.3.4.2 and the inverse encoding rules stated in Table 146–1.

$$RXD[3:0] = DESCRAMBLE(inverse_table_{4B3T}(Rx_n))$$

$$rx_disparity = rx_disparity + disparity\ of\ currently\ received\ Rx_n$$

CHECK_DISP

The CHECK_DISP function checks if the currently received code-group is allowed for the current rx_disparity, and returns TRUE or FALSE according to the relation:

$$Rx_n \neq table_{4B3T}(inverse_table_{4B3T}(Rx_n), rx_disparity).$$

The encoding rules for the 4B3T encoding are stated in Table 146–1.

RESET_DISP

This function takes as its argument the value of Rx_n, corresponding to a valid SSD4 code-group, and returns the updated rx_disparity as follows:

$$rx_disparity = \begin{cases} 2, & \text{if } Rx_n = \{+1, +1, -1\} \\ 3, & \text{otherwise} \end{cases}$$

146.3.4.1.3 Timers

RSTCD

Abbreviation for Receive Symbol Triplet Conversion Done, which is equivalent to the timer condition rcv_symb_triplet_timer_done.

rcv_max_timer

A timer used to determine the maximum amount of time the Receive watchdog state diagram stays in the RECEIVE state. The timer shall expire 4 ms ± 100 µs after being started. The condition rcv_max_timer_done becomes true upon timer expiration.

rcv_symb_triplet_timer

The rcv_symb_triplet_timer is a continuous free-running timer that shall expire with three times the period of the receive symbol clock synchronously to PMA_UNITDATA.indication. RX_CLK (see 22.2.2.1) shall be generated from rcv_symb_triplet_timer with the falling edge of RX_CLK generated synchronously with rcv_symb_triplet_timer_done. During initial link training, the phase of the rcv_symb_triplet_timer is aligned to the receive symbol clock as described in 146.3.4.2.

Continuous timer: The condition rcv_symb_triplet_timer_done becomes true upon timer expiration.

Restart time: Immediately after expiration.

Duration: Three symbol times (see 146.5.4.5)

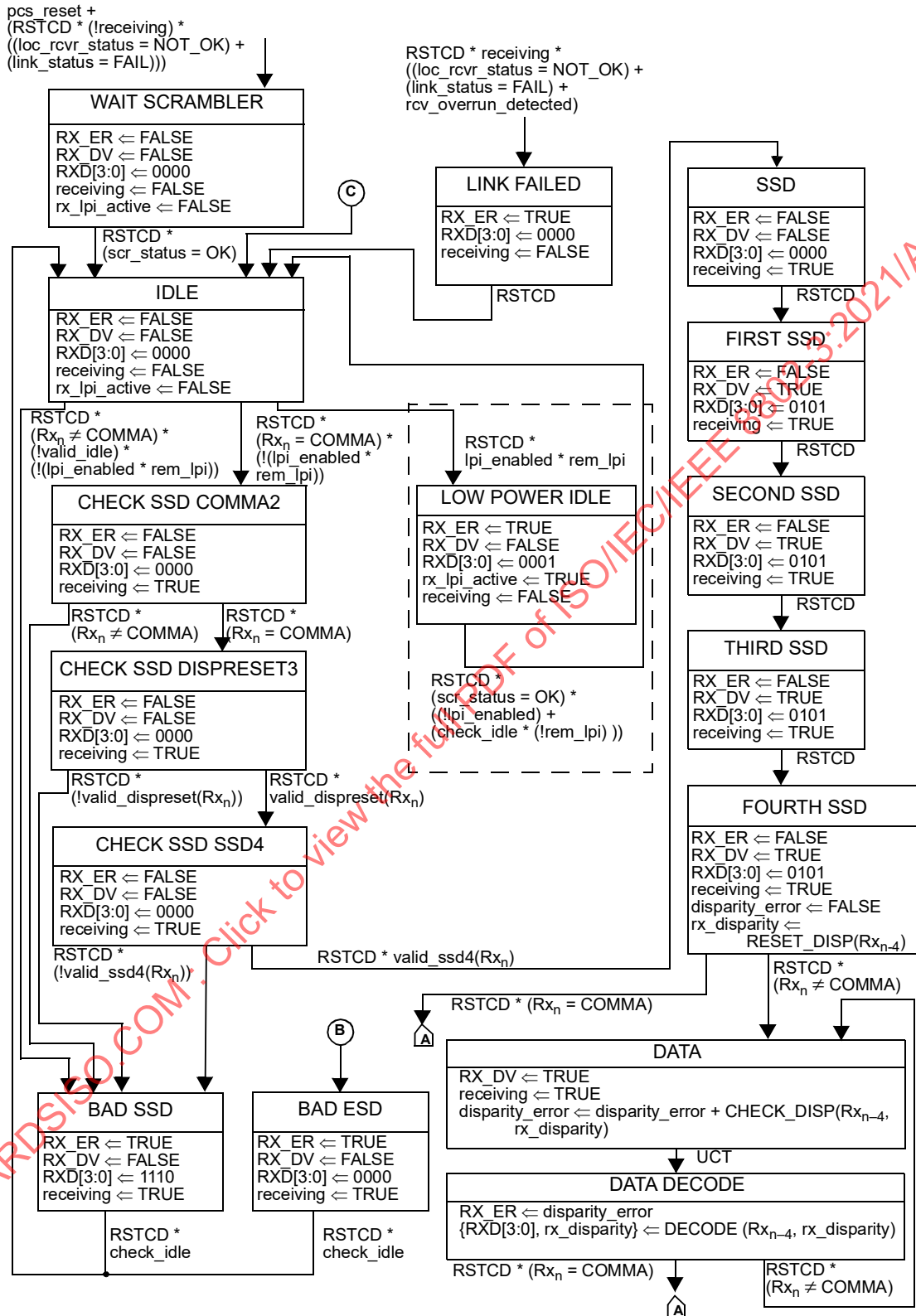
146.3.4.1.4 Constants

COMMA

A vector of three ternary symbols in the first or second code-group of any delimiter as specified in 146.3.3.5.1.

146.3.4.1.5 State diagrams

The PCS Receive state diagram is shown in Figure 146–9 and Figure 146–10 while the Receive watchdog state diagram is shown in Figure 146–11.



NOTE—Transitions inside dashed boxes are required only for the EEE capability.

Figure 146-9—PCS Receive state diagram, part a

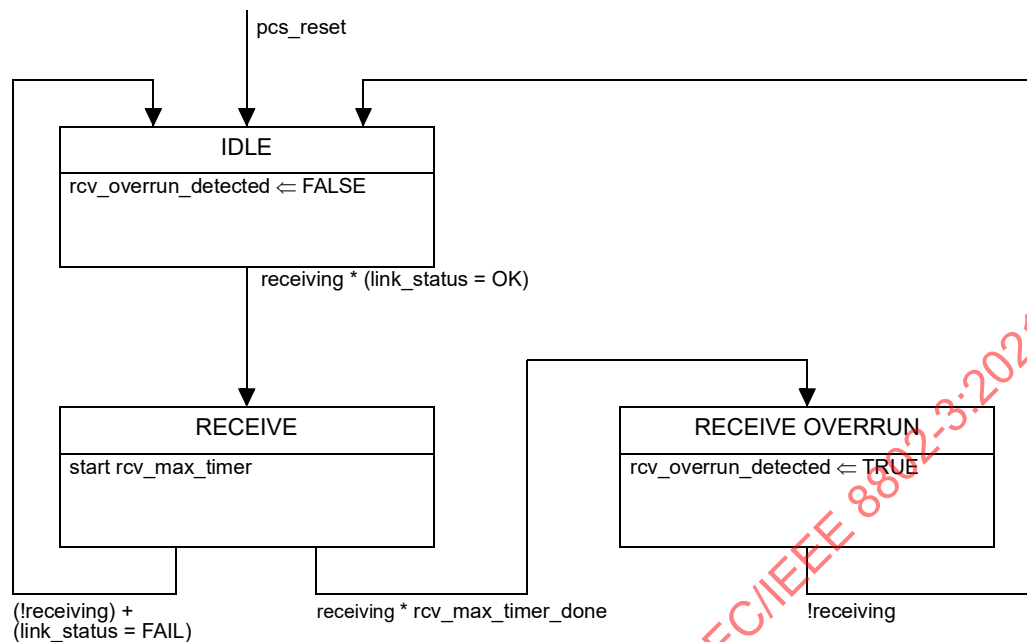


Figure 146–11—Receive watchdog state diagram

146.3.4.2 PCS Receive symbol decoding

When PMA Receive indicates normal operation and sets loc_rcvr_status = OK, the PCS Receive function checks the symbol sequences and searches for an SSD or a receive error indicator.

The received symbols, rx_symb_vector, are de-interleaved to generate received code-groups {RA_n, RB_n, RC_n}. To achieve correct operation, PCS Receive uses the knowledge of the encoding rules that are employed in the idle mode. The code-group {0, 0, 0} should never occur. The symbol synchronization in the de-interleaving block needs to be adjusted if the code-group {0, 0, 0} is being received. PCS Receive generates the sequence of symbols and indicates the reliable acquisition of the descrambler state by setting the parameter scr_status to OK. The descrambler can acquire synchronization during the PHY training.

The received code-groups {RA_n, RB_n, RC_n} are decoded to generate signals RXD[3:0], RX_DV, and RX_ER at the MII. The decoder shall also generate the disparity_error signal for the PCS Receive state diagram when a code-group is received that is not allowed according to the current running disparity value. Each time a code-group is received, the running disparity is updated. This is done using the current running disparity and adding the disparity change value as specified in Table 146–1 for the currently received code-group.

PCS Receive shall set RX_DV = TRUE when it receives an SSD, and shall set RX_DV = FALSE when it receives an ESD or ESD with error.

PCS Receive shall set RX_ER = TRUE when it receives bad ESDs, ERR_ESD, or bad SSDs. When the state diagram reaches the IDLE state, RX_ER shall be reset to FALSE.

146.3.4.3 PCS Receive descrambler polynomial

The PHY decodes the code-groups and returns the proper bit stream to the descrambling process for generation of RXD<3:0> to the MII. For side-stream descrambling, the MASTER PHY shall employ the following receiver descrambler generator polynomial:

$$g'_M(x) = 1 + x^{20} + x^{33} \quad (146-4)$$

and the SLAVE PHY shall employ the following receiver descrambler generator polynomial:

$$g'_S(x) = 1 + x^{13} + x^{33} \quad (146-5)$$

146.3.4.4 PCS Receive automatic polarity detection

An automatic polarity detection and correction shall be implemented on the receive side of both master and slave PHY.

Polarity can be automatically detected in a recursive process: one assumption of polarity is made first and the descrambler synchronization is monitored within a certain period to determine whether such an assumption is correct; if not, the same procedure is repeated with a different polarity assumption and vice versa.

Receive polarity detection and correction can be done simultaneously at the earliest link up stages. Link up starts with the MASTER PHY sending symbols to the SLAVE PHY. If a polarity flip is detected, the SLAVE changes the sign of its received signals $\{RA_n, RB_n, RC_n\}$ to correct the polarity. There is no change in the polarity of the transmit signal. After the SLAVE PHY has started transmission, the MASTER PHY can use the same method for determining its receive polarity.

146.3.5 PCS loopback

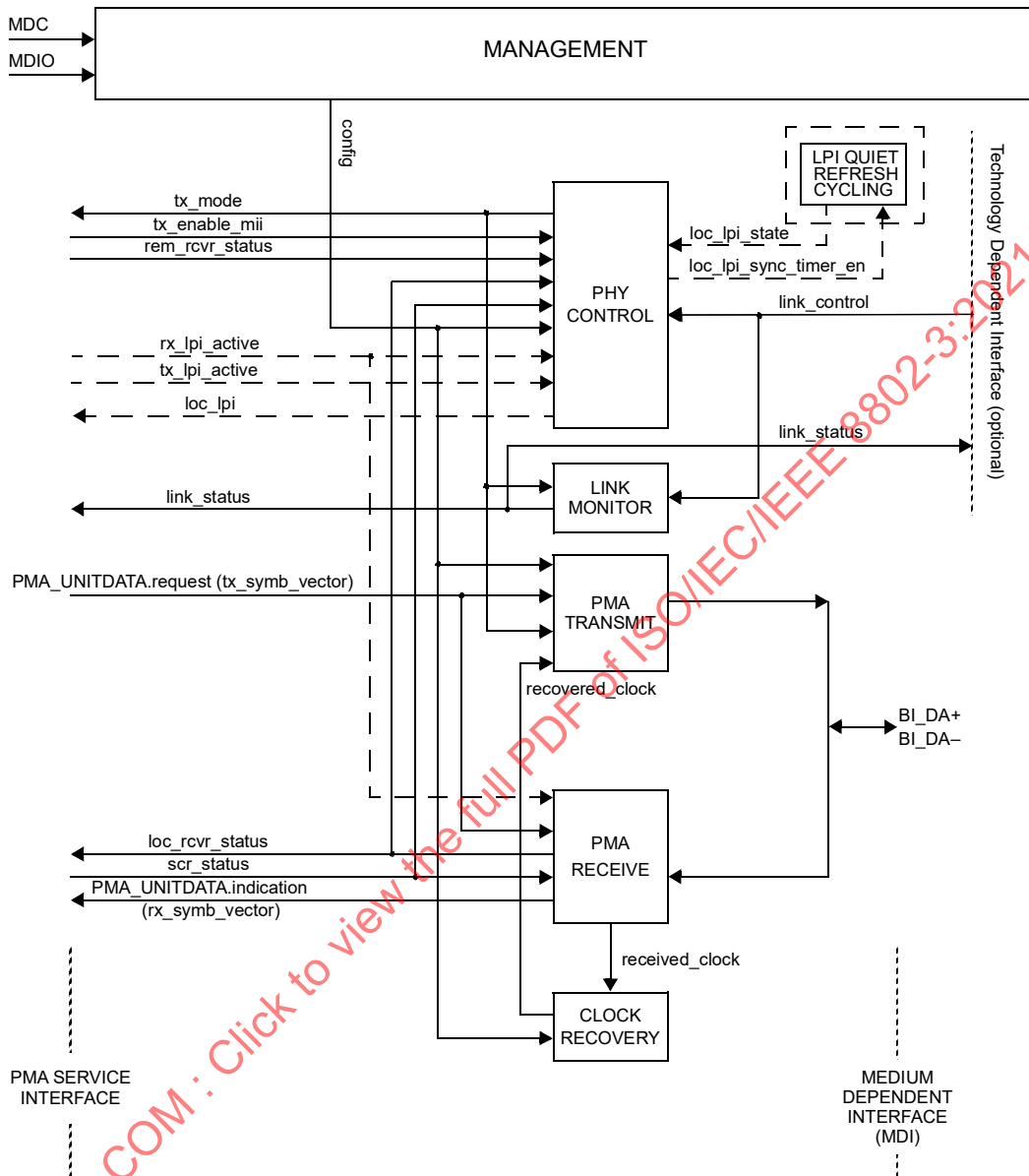
The PCS shall be placed in loopback mode when the loopback bit in MDIO register 3.0.14, defined in 45.2.3.1.2, or the loopback bit in MDIO register 3.2278.14, defined in 45.2.3.68a.2, is set to one (or by a similar functionality if MDIO is not implemented). In this mode, the PCS shall accept data on the transmit path from the MII and return it on the receive path to the MII. Additionally, the PHY receive circuitry shall be isolated from the network medium, and the assertion of TX_EN at the MII shall not result in the transmission of data on the network medium.

NOTE—The signal path through the PCS that is exercised in the loopback mode of operation is implementation specific, but it is recommended that the signal path encompasses as much of the PCS circuitry as is practical. The intention of providing this loopback mode of operation is to permit a diagnostic or self-test function testing the transmit and receive data paths.

146.4 Physical Medium Attachment (PMA) sublayer

The PMA couples messages from the PMA service interface specified in 146.3 onto the 10BASE-T1L physical medium, and provides the link management and PHY Control functions. The PMA provides full duplex communications to and from medium employing 3-level Pulse Amplitude Modulation (PAM3). The interface between PMA and the baseband medium is the Medium Dependent Interface (MDI), which is specified in 146.8.

PMA functions are illustrated in Figure 146–12.



NOTE 1—The “recovered_clock” shown indicates the delivery of the recovered clock back to PMA TRANSMIT in SLAVE mode for loop timing.

NOTE 2—Signals shown with dashed lines and blocks within dashed lines are required only for EEE functionality.

Figure 146–12—PMA functional block diagram

146.4.1 PMA Reset function

The PMA Reset function shall be executed whenever one of the two following conditions occur:

- a) Power on (see 36.2.5.1.3).
- b) The receipt of a request for reset from the management entity.

PMA Reset shall set `pma_reset = TRUE` while any of the above reset conditions hold true. All state diagrams take the open-ended `pma_reset` branch upon execution of PMA Reset. The reference diagrams do not explicitly show the PMA Reset function.

146.4.2 PMA Transmit function

Figure 146–13 illustrates the signal flow of the 10BASE-T1L PMA Transmit function. During transmission, `PMA_UNITDATA.request` conveys to the PMA via the parameter `tx_symb_vector` the value of the symbols to be sent over the single transmit pair.

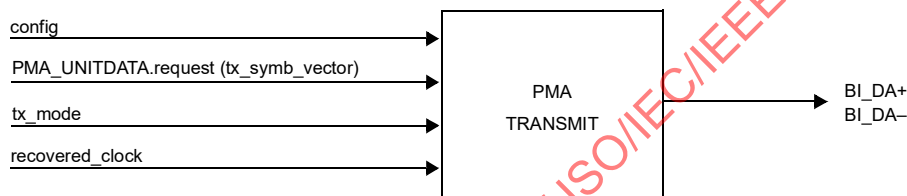


Figure 146–13—PMA Transmit

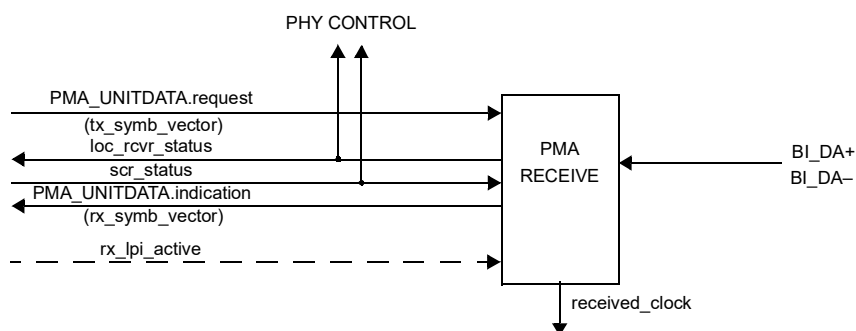
A single transmitter is used to generate the PAM3 signal `BI_DA` on the wire using the transmit clock, `TX_TCLK` (see 146.5.4.5). When the `config` parameter is set to `MASTER`, the PMA Transmit function derives the `TX_TCLK` from a local clock source. When the `config` parameter is set to `SLAVE`, the PMA Transmit function derives the `TX_TCLK` from the recovered clock.

The PMA Transmit fault function is optional. The faults detected by this function are implementation specific. If the MDIO interface is implemented, then this function shall be mapped to the transmit fault bit as specified in 45.2.1.7.4.

146.4.3 PMA Receive function

Figure 146–14 illustrates the signal flow of the 10BASE-T1L PMA Receive function. To achieve the indicated performance, it is highly recommended that PMA Receive includes the functions of signal equalization and echo cancellation. The sequence of symbols assigned to `tx_symb_vector` is needed to perform echo cancellation.

The 10BASE-T1L PMA Receive function comprises a single receiver (PMA Receive) for PAM3 modulated signals on a single balanced pair, `BI_DA`. PMA Receive has the ability to translate the received signals on the MDI into the `PMA_UNITDATA.indication` parameter `rx_symb_vector`. It detects ternary symbol sequences from the signals received at the MDI and presents these sequences to the PCS Receive function. The parameter `loc_rcvr_status` is generated by PMA Receive to indicate the status of the receive link at the local PHY. This variable indicates to the PCS Transmitter, PCS Receiver, and PMA PHY Control function whether the status of the overall received link is ok or not. Signal `scr_status` is generated by the PCS Receiver to indicate the status of the descrambler to the local PHY. It conveys the information on whether the scrambler has achieved synchronization or not to the PMA receive function.



NOTE—Signals shown with dashed lines are required only for EEE functionality.

Figure 146–14—PMA Receive

The PMA Receive fault function is optional. The PMA Receive fault function is the logical OR of the link_status = FAIL and any implementation specific fault. If the MDIO interface is implemented, this function shall contribute to the receive fault bit specified in 45.2.1.7.5 and 45.2.4.186b.7.

146.4.4 PHY Control function

If the Auto-Negotiation process (Clause 98) is not implemented or not enabled, PMA_CONFIG MASTER-SLAVE configuration is predetermined to be MASTER or SLAVE via management control during initialization or via default hardware setup.

The PHY Control functions block governs the control actions needed to bring the PHY into the 10BASE-T1L mode of operation so that frames can be exchanged with the link partner. PMA PHY Control also generates the signals that control PCS and PMA sublayer operations. It determines whether the PHY operates in the normal mode, enabling data transmission over the link segment, or whether the PHY sends idle data. PHY Control sets tx_mode to SEND_N (transmission of normal MII Data Stream, Control Information, or Idle Data), SEND_I (transmission of Idle Data), or SEND_Z (transmission of zero symbol vectors).

If the time to reach link_status = OK exceeds the duration of the link_fail_inhibit timer used in the Auto-Negotiation Arbitration state diagram (see Figure 98–7), the training may be considered failed. Management reset of the PHY control state diagram when Auto-Negotiation is not enabled (or not present) is outside the scope of this standard.

To maximize power savings, maintain link integrity, and ensure interoperability, EEE-capable PHYs shall synchronize refresh intervals during the low power idle (LPI) mode.

LPI synchronization is established by the PHY Control function, towards the end of link startup, using a handshake scheme initiated by the MASTER. This scheme initiates LPI quiet-refresh cycling at the same time as a transition from TRUE to FALSE of the loc_lpi variable. As loc_lpi is conveyed to the link partner PHY, the time of the start of LPI quiet-refresh cycling is also conveyed. LPI quiet-refresh cycling is defined in 146.4.7.

Thereafter, the LPI quiet-refresh cycling runs freely, with a cycle of fixed period, and, because the SLAVE maintains timing lock with the MASTER, the timing relationship between the quiet-refresh cycling in both PHYs remains fixed.

PHY Control shall comply with the state diagram shown in Figure 146–15, Figure 146–16, and Figure 146–17. Figure 146–15 describes link startup sequencing. Figure 146–16 describes LPI synchronization sequencing (required only to support EEE capability). Figure 146–17 describes entry and exit to LPI mode (also required only to support EEE capability).

146.4.4.1 Variables

pma_reset

Allows reset of all PMA functions.
Values: TRUE or FALSE
Set by: PMA Reset

link_control

This variable is set by management control or via hardware.
Values: ENABLE or DISABLE

config

The config parameter is set by management or set by auto-negotiation and passed to the PMA and PCS.
Values: MASTER or SLAVE

loc_lpi:

The variable loc_lpi is set by the PHY Control function to indicate that it has entered low power idle mode.
Values: TRUE or FALSE

loc_lpi_timer_sync_en

The variable loc_lpi_timer_sync_en is set by the PHY Control function to enable low power idle quiet-refresh cycling.
Values: TRUE: LPI quiet-refresh cycling is enabled.
FALSE: LPI quiet-refresh cycling is disabled.

loc_rcvr_status

Variable set by the PMA Receive function to indicate correct or incorrect operation of the receive function for the local PHY.
Values: OK: The receive function for the local PHY is operating reliably.
NOT_OK: Operation of the receive function for the local PHY is unreliable.

lpi_enabled

This variable indicates whether Energy Efficient Ethernet is enabled for the PHY or not.
Values: TRUE: Energy Efficient Ethernet is enabled.
FALSE: Energy Efficient Ethernet is not enabled.

mr_autoneg_enable

See 98.5.1.

rem_rcvr_status

Variable set by the PCS Receive function to indicate whether correct operation of the receive function for the remote PHY is detected or not.
Values: OK: The receive function for the remote PHY is operating reliably.
NOT_OK: Reliable operation of the receive function for the remote PHY is not detected.

rx_lpi_active

This variable indicates to the PMA receive function if the receive state diagram is in low power idle state.
Values: TRUE or FALSE

scr_status

The scr_status parameter as communicated by the PMA_SCRSTATUS.request primitive.

Values: OK: The descrambler has achieved synchronization.

NOT_OK: The descrambler is not synchronized.

slave_clock_locked

Variable indicates the status of the clock recovery on a slave PHY. Implementations may benefit from checking scr_status for determining whether the slave clock is locked to the master PHY.

Values: TRUE: The slave clock is stable and locked to the master PHY clock.

FALSE: The slave clock is not locked to the master PHY clock, or is otherwise unstable.

tx_enable_mii

The tx_enable_mii variable is generated in the PCS data transmission enabling state diagram as specified in Figure 146–4. When set to FALSE transmission is disabled; when set to TRUE transmission is enabled.

Values: TRUE or FALSE

tx_lpi_active

This variable indicates to the PMA PHY control function whether the “Assert Low Power Idle” condition on the MII is active.

Values: TRUE or FALSE

tx_mode

PCS Transmit sends code-groups according to the value of this variable.

Values: SEND_N: This value is continuously asserted when transmitting data, control information or idle during normal operation.

SEND_I: This value is continuously asserted when transmitting idle data during training.

SEND_Z: This value is asserted when transmitting zero code-groups.

146.4.4.2 Timers**maxtraining_timer**

A timer used to limit the maximum allowed training time of the receiver. The timer shall expire 3000 ms \pm 30 ms after being started.

mintraining_timer

A timer to define the minimum time a slave PHY stays in training mode before going to SILENT state when the slave loses clock lock. The slave clock may be unstable during this period. The timer shall expire 100 ms \pm 1 ms after being started.

lpi_sleep_timer

A timer used to determine the duration of the SEND SLEEP state, where transmission comprises IDLE symbols with loc_lpi set. The timer shall expire 150 TX_TCLK periods (nominally 20 μ s) after being started.

lpi_wake_timer

A timer used to determine how long the WAKE signal is being sent to the remote PHY. The timer shall expire 1875 TX_TCLK periods (nominally 250 μ s) after being started.

maxwait_timer

A timer used to limit the amount of time during which a receiver dwells in the SEND IDLE state. The timer shall expire 200 ms \pm 2 ms after being started.

minwait_timer

A timer used to determine the minimum amount of time the PHY Control stays in the SEND IDLE or DATA states. The timer shall expire $20\ \mu\text{s} \pm 1\ \mu\text{s}$ after being started.

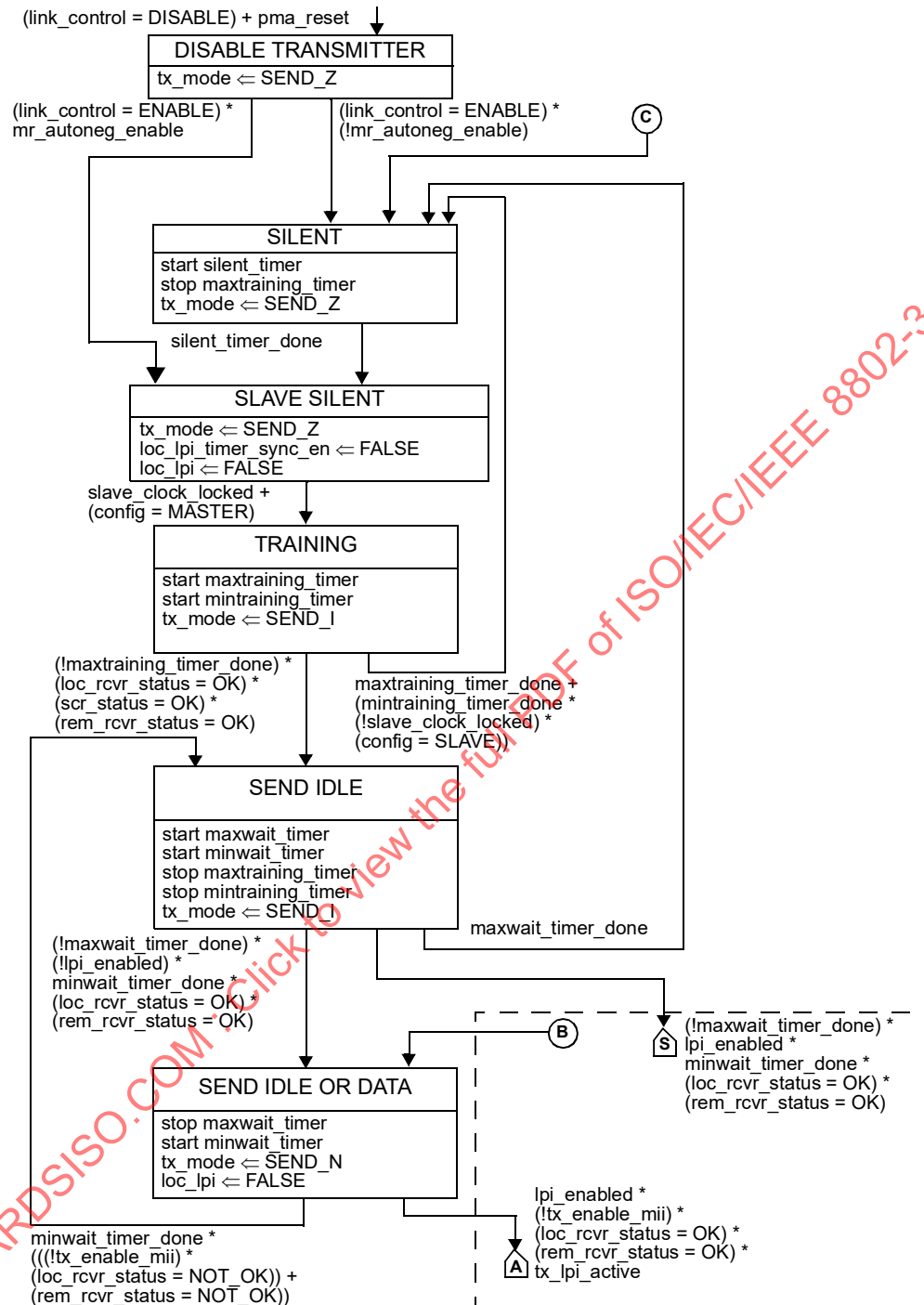
silent_timer

A timer used to set the time a PHY stays in the SILENT state. The timer shall expire $245\ \text{ms} \pm 5\ \text{ms}$ after being started.

NOTE—After a disturbance on the link segment, e.g., when the current consumption on a powered link segment is quickly changed, the maxwait_timer allows the PHYs to stay in the SEND IDLE state before going to the SILENT state. This allows the PHYs to attempt to recover the link before a full retrain.

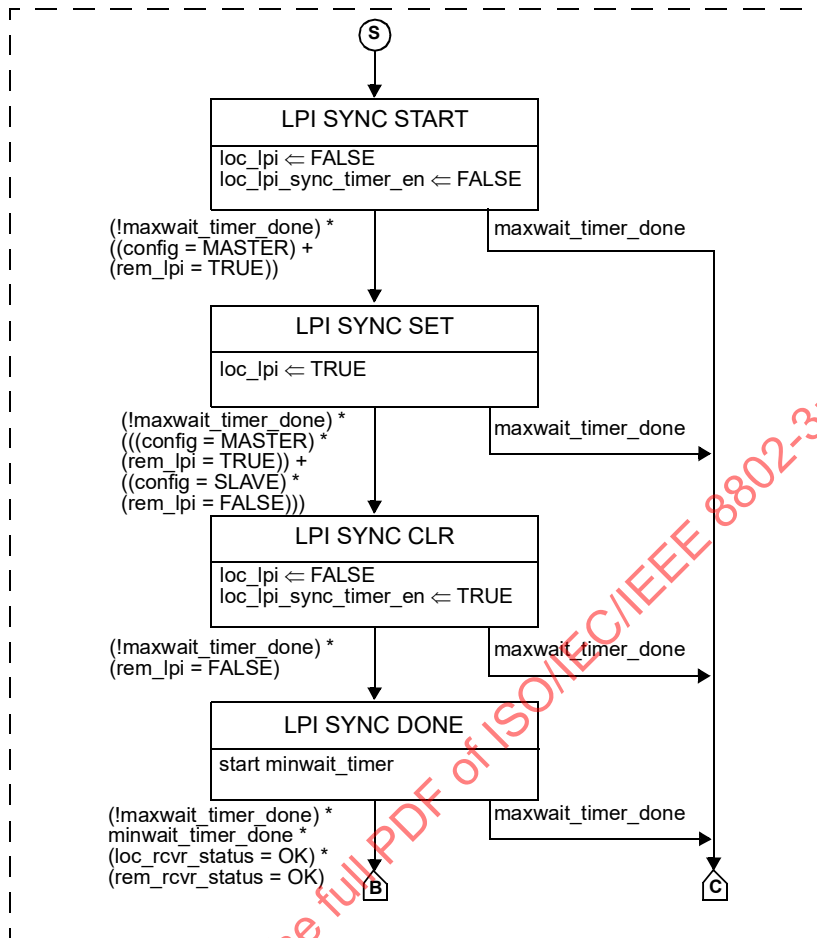
STANDARDSISO.COM : Click to view the full PDF of ISO/IEC/IEEE 8802-3:2021/Amd 5:2021

146.4.4.3 State diagram



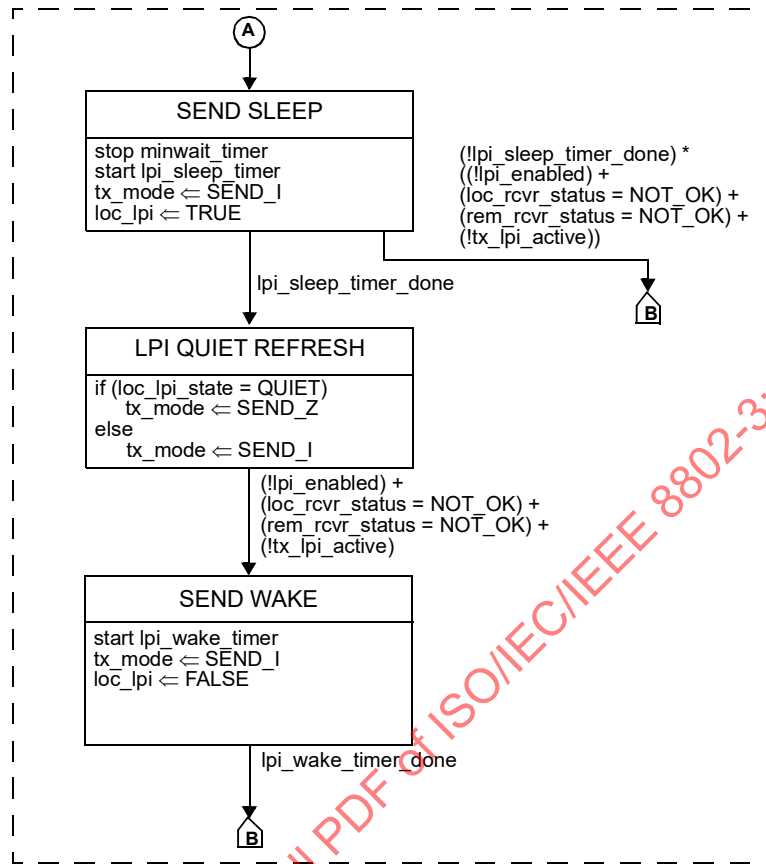
NOTE—Transitions inside dashed boxes are required only for the EEE capability.

Figure 146–15—PHY Control state diagram, part a



NOTE—Transitions inside dashed boxes are required only for the EEE capability.

Figure 146–16—PHY Control state diagram, part b



NOTE—Transitions inside dashed boxes are required only for the EEE capability.

Figure 146-17—PHY Control state diagram, part c

146.4.5 Link Monitor function

Link Monitor operation, as shown in state diagram of Figure 146–18, shall be provided to support PHY Control. Variable link_control is set to ENABLE through management control during the PHY initialization or via default hardware set-up.

146.4.5.1 Variables

tx_mode

The tx_mode parameter set by the PMA PHY Control function and passed to the PCS via the PMA_TXMODE.indication primitive.
 Values: SEND_Z, SEND_N, or SEND_I

link_status

The link_status parameter set by PMA Link Monitor and passed to the PCS via the PMA_LINK.indication primitive.
 Values: OK or FAIL

146.4.5.2 State diagram

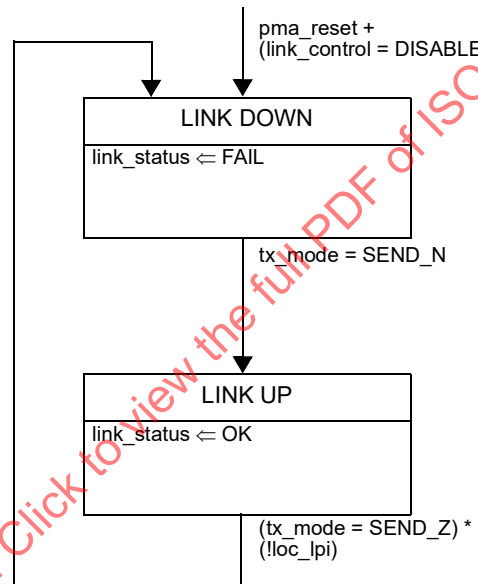


Figure 146–18—PHY Link Monitor state diagram

146.4.6 PMA clock recovery

The clock recovery provides a synchronous clock for sampling the signal on the pair. While it may not drive the MII directly, the Clock Recovery function is the underlying source of TX_CLK. This PMA function recovers the clock from the received stream. It is coupled to the receiver in order to provide for the SLAVE PHY a clock synchronous to the transmit clock of the MASTER PHY.

146.4.7 LPI quiet-refresh cycling

LPI quiet-refresh cycling is initiated on direction from the PHY Control function using the LPI synchronization mechanism.

Once initiated, LPI quiet-refresh cycling runs freely for the lifetime of the link.

The SLAVE PHY is required to implement an initial offset delay, to ensure that refresh intervals of MASTER and SLAVE are not coincident.

The quiet-refresh cycle timing is defined in terms of transmit symbol periods (TX_TCLK periods). As the SLAVE must maintain timing lock with the MASTER, the timing relationship between the LPI quiet-refresh cycling of the two PHYs must remain fixed for the lifetime of the link.

LPI quiet-refresh cycling shall comply with the state diagram of Figure 146–19.

146.4.7.1 Variables

loc_lpi_timer_sync_en

The variable loc_lpi_timer_sync_en is set by the PHY Control function to enable low power idle quiet-refresh cycling.

Values: TRUE: LPI quiet-refresh cycling is enabled.
FALSE: LPI quiet-refresh cycling is disabled.

loc_lpi_state

The variable loc_lpi_state sets the quiet-refresh state when the PHY is in low power idle mode.

Values: IDLE: LPI quiet-refresh cycling is not enabled.
REFRESH: The PHY is in the low power idle refresh phase.
QUIET: The PHY is in the low power idle quiet phase.

146.4.7.2 Timers

lpi_init_timer

A timer used to set the duration of the LPI TIMER INIT state, which is intended to introduce a fixed offset between LPI refresh phases of the MASTER and SLAVE PHYs.

If config = MASTER, this timer shall expire after 0 TX_TCLK periods.

If config = SLAVE, this timer shall expire after 22500 TX_TCLK periods (nominally 3000 μ s).

lpi_refresh_timer

A timer used to set the duration of the LPI refresh phase.

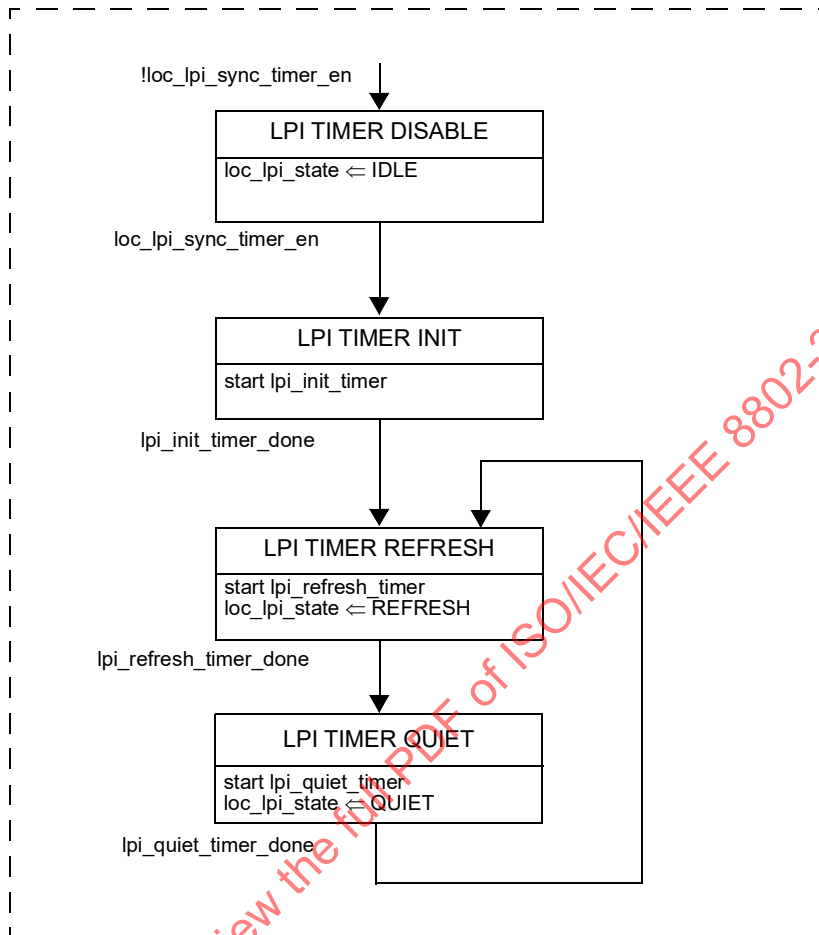
This timer shall expire after 1875 TX_TCLK periods (nominally 250 μ s).

lpi_quiet_timer

A timer used to set the duration of the LPI quiet phase.

This timer shall expire after 45 000 TX_TCLK periods (nominally 6000 μ s).

146.4.7.3 State diagram



NOTE—Transitions inside dashed boxes are required only for the EEE capability.

Figure 146–19—LPI quiet-refresh cycling state diagram

146.5 PMA electrical specifications

This subclause defines the electrical characteristics of the PMA for a 10BASE-T1L Ethernet PHY.

146.5.1 EMC tests

Direct Power Injection (DPI) and 150 Ω emission tests for noise immunity and emission as per 146.5.1.1 and 146.5.1.2 can be used to establish a baseline for PHY EMC performance. These tests provide a high degree of repeatability and a good correlation to immunity and emission measurements.

146.5.1.1 Immunity—DPI test

In a real application, radio frequency (RF) common mode (CM) noise at the PHY is the result of electromagnetic interference coupling to the cabling system. Additional differential mode (DM) noise at the PHY is generated from the CM noise by mode conversion of all parts of the cabling system and the MDI. The sensitivity of the PMA's receiver to RF CM noise can be tested according to the DPI method of IEC 62132-4.

146.5.1.2 Emission—Conducted emission test

The emission of the PMA transmitter to its electrical environment can be tested according to the 150 Ω direct coupling method of IEC 61967-4.

146.5.2 Test modes

The test modes described in this subclause are provided to allow testing of the transmitter waveform, transmitter distortion, transmitter jitter, and transmitter droop. Test modes 1 through 3 shall be implemented as follows. The test modes can be enabled by setting bits 1.2296.15:13 (10BASE-T1L Test Mode Control Register) of the PHY Management register set as described in 45.2.1.186c.1. If MDIO is not implemented, a similar functionality shall be provided by another interface. These test modes shall change only the data symbols provided to the transmitter circuitry and shall not alter the electrical and jitter characteristics of the transmitter and receiver from those of normal (non-test mode) operation.

- a) Test mode 1—Transmitter output voltage and timing jitter test mode
- b) Test mode 2—Transmitter output droop test mode
- c) Test mode 3—Normal operation in Idle mode. This is for the PSD mask test.

When test mode 1 is enabled, the PHY shall repeatedly transmit the data symbol sequence (+1, -1). See 146.5.4.5 for transmit clock requirements.

When test mode 2 is enabled, the PHY shall transmit ten "+1" symbols followed by ten "-1" symbols. This sequence is repeated continually.

When test mode 3 is enabled, the 10BASE-T1L PHY shall transmit as in non-test operation and in the MASTER data mode with data set to normal Inter-Frame idle signals.

146.5.3 Test fixture

The following fixtures (illustrated by Figure 146–20 and Figure 146–21), or their functional equivalents, can be used for measuring the transmitter specifications described in 146.5.4. All the transmitter tests are defined at the MDI.

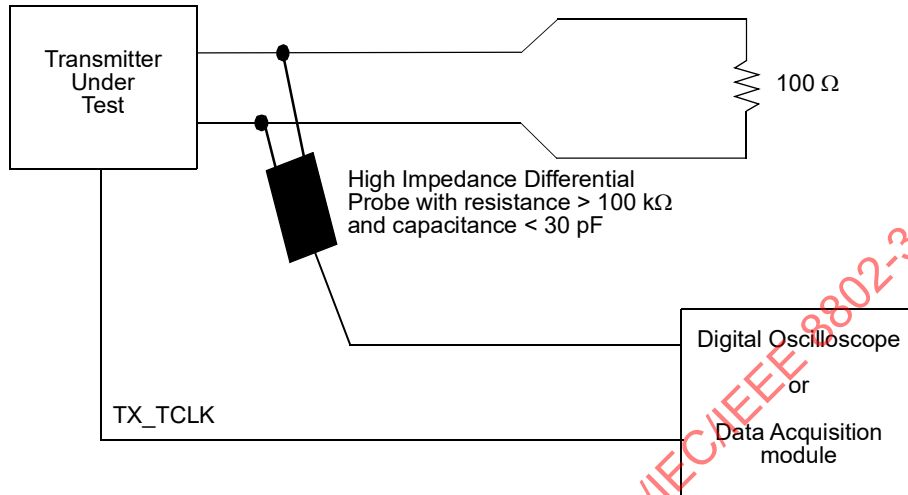


Figure 146–20—Transmitter test fixture 1 for transmitter voltage, transmitter droop, and transmitter timing jitter

To allow an easy synchronization of the measurement equipment, the PHY shall provide access to the symbol rate clock TX_TCLK, which times the transmitted symbols. For a MASTER PHY this is the output of the (divided) clock oscillator; for the SLAVE PHY this is the recovered clock.

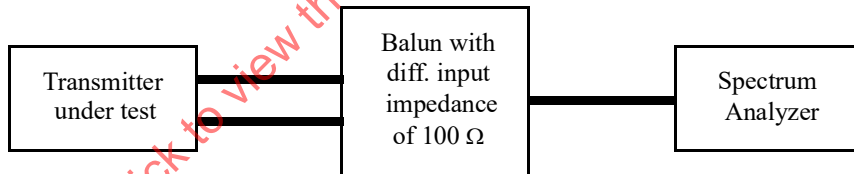


Figure 146–21—Transmitter test fixture 2 for power spectral density measurement and transmit power level measurement

146.5.4 Transmitter electrical specifications

The PMA shall operate with AC coupling to the MDI. Where a load is not specified, the transmitter shall meet the requirements of 146.5.4 with a $100\ \Omega \pm 0.1\%$ resistive differential load connected to the transmitter output.

146.5.4.1 Transmitter output voltage

When tested with the test fixture shown in Figure 146–20 with the transmitter in test mode 1, the transmitter output voltage shall be $2.4\ \text{V} + 5\%/- 15\%$ peak-to-peak (for the 2.4 V_{pp} operating mode) and $1.0\ \text{V} + 5\%/- 15\%$ peak-to-peak (for the 1.0 V_{pp} operating mode). Transmitter output voltage can be set using the management interface or by hardware default set-up.

NOTE—In all transmit modes, including SEND_I and SEND_N, when measured with a $100\ \Omega \pm 0.1\%$ termination, the transmit differential signal at the MDI is less than $2.64\ V_{pp}$ for the $2.4\ V_{pp}$ operating mode and $1.10\ V_{pp}$ for the $1.0\ V_{pp}$ operating mode including the signal droop.

146.5.4.2 Transmitter output droop

With the transmitter in test mode 2 and using the transmitter test fixture shown in Figure 146–20, the magnitude of both the positive and negative droop shall be less than 10% measured with respect to an initial value at 133.3 ns after the zero crossing and a final value at 800 ns after the zero crossing.

146.5.4.3 Transmitter timing jitter

When tested using the test fixture shown in Figure 146–20 with the transmitter in test mode 1, the maximum jitter at the transmitter side shall be less than 10 ns symbol-to-symbol jitter.

146.5.4.4 Transmitter Power Spectral Density (PSD) and power level

In test mode 3 (reflecting normal operation), the transmit power shall be $8.6 \pm 1.2\ \text{dBm}$ for the $2.4\ V_{pp}$ operating mode and $1.0 \pm 1.2\ \text{dBm}$ for the $1.0\ V_{pp}$ operating mode. The power spectral density of the transmitter, measured into a $100\ \Omega$ load using the test fixture shown in Figure 146–21, shall be between the upper and lower masks specified in Equation (146–6) and Equation (146–7) for the $2.4\ V_{pp}$ transmit amplitude, and by Equation (146–8) and Equation (146–9) for the $1.0\ V_{pp}$ transmit amplitude. The masks are shown in Figure 146–22 and Figure 146–23.

For the $2.4\ V_{pp}$ transmit signal amplitude:

$$\text{Upper PSD Limit } (f) \geq \begin{cases} -54\ \text{dBm/Hz} & 0 \leq f \leq 2.5 \\ -54 - 1.6 \times (f - 2.5)\ \text{dBm/Hz} & 2.5 < f < 12.5 \\ -70\ \text{dBm/Hz} & 12.5 \leq f \leq 20 \end{cases} \quad (146-6)$$

$$\text{Lower PSD Limit } (f) \geq \begin{cases} -60\ \text{dBm/Hz} & 0.625 \leq f \leq 2.5 \\ -60 - 4 \times (f - 2.5)\ \text{dBm/Hz} & 2.5 < f \leq 5 \end{cases} \quad (146-7)$$

where f is the frequency in MHz, and for the $1.0\ V_{pp}$ transmit signal amplitude:

$$\text{Upper PSD Limit } (f) \geq \begin{cases} -61.6\ \text{dBm/Hz} & 0 \leq f \leq 2.5 \\ -61.6 - 1.6 \times (f - 2.5)\ \text{dBm/Hz} & 2.5 < f < 12.5 \\ -77.6\ \text{dBm/Hz} & 12.5 \leq f \leq 20 \end{cases} \quad (146-8)$$

$$\text{Lower PSD Limit } (f) \geq \begin{cases} -67.6\ \text{dBm/Hz} & 0.625 \leq f \leq 2.5 \\ -67.6 - 4 \times (f - 2.5)\ \text{dBm/Hz} & 2.5 < f \leq 5 \end{cases} \quad (146-9)$$

where f is the frequency in MHz.

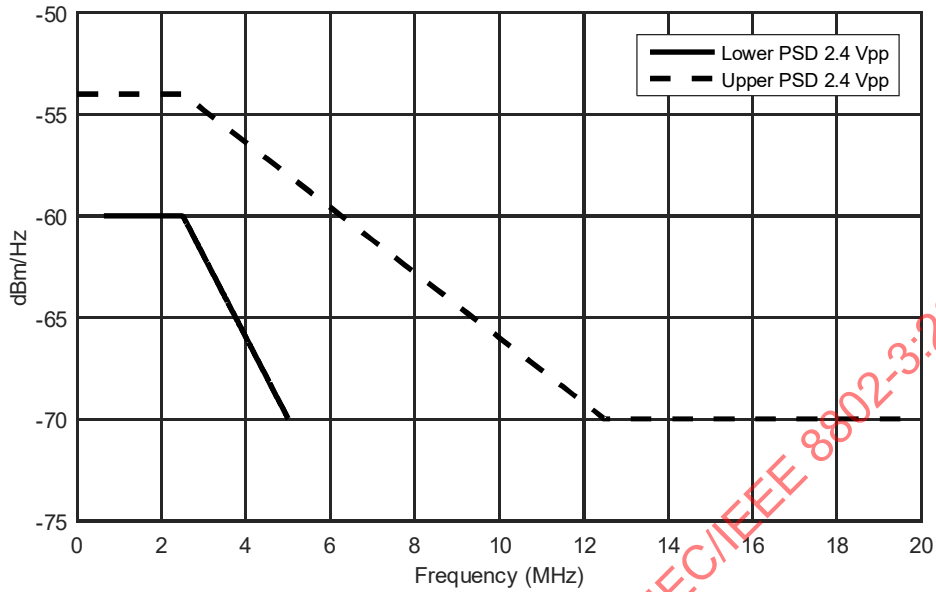


Figure 146-22—Transmitter Power Spectral Density, 2.4 Vpp Transmit Amplitude, Upper and Lower Masks

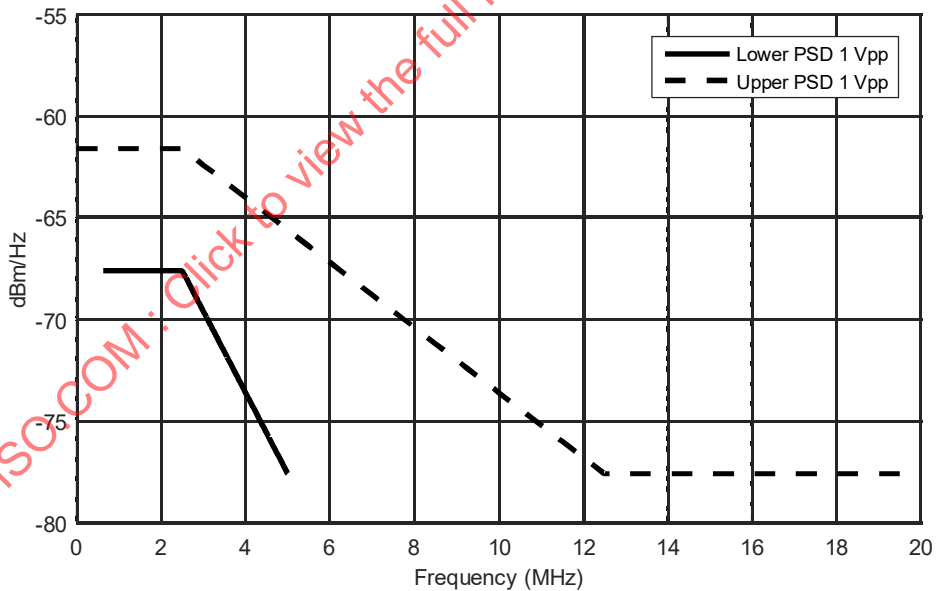


Figure 146-23—Transmitter Power Spectral Density, 1 Vpp Transmit Amplitude, Upper and Lower Masks

146.5.4.5 Transmit clock frequency

The symbol transmission rate of the MASTER PHY shall be within the range 7.5 MBd ± 50 ppm. For a MASTER PHY, when the transmitter is in the LPI transmit mode, the transmitter clock short-term rate of frequency variation shall be less than 0.1 ppm/second. The short-term frequency variation limit shall also apply when switching to and from the LPI mode.

146.5.5 Receiver electrical specifications

The PMA shall meet the requirements specified in PMA Receive function and the electrical specifications of this subclause. The link segment used in the test configurations shall be within the limits specified in 146.7.

146.5.5.1 Receiver differential input signals

Differential signals received at the MDI, that were transmitted from a remote transmitter within the specifications of 146.5.4, and have passed through a link segment specified in 146.7, shall be received with a bit error ratio less than 10⁻⁹ after PCS processing and sent to the MII after completion of link training. This specification can be verified by a frame error ratio less than 10⁻⁶ for 125 octet frames.

146.5.5.2 Receiver frequency tolerance

The receiver shall properly receive incoming data with a symbol rate within the range 7.5 MBd ± 50 ppm.

146.5.5.3 Alien crosstalk noise rejection

This specification is provided to verify the receiver's tolerance to alien crosstalk noise. The test is performed with a noise source such that noise with a Gaussian distribution, bandwidth of 10 MHz, and magnitude of -106 dBm/Hz is present at the MDI. The receive DUT is connected to these noise sources through a resistive network, as shown in Figure 146-24, with a link segment as defined in 146.7. The BER shall be less than 10⁻⁹. This specification may be considered satisfied when the frame loss ratio is less than 10⁻⁶ for 125 octet packets measured at MAC/PLS service interface.

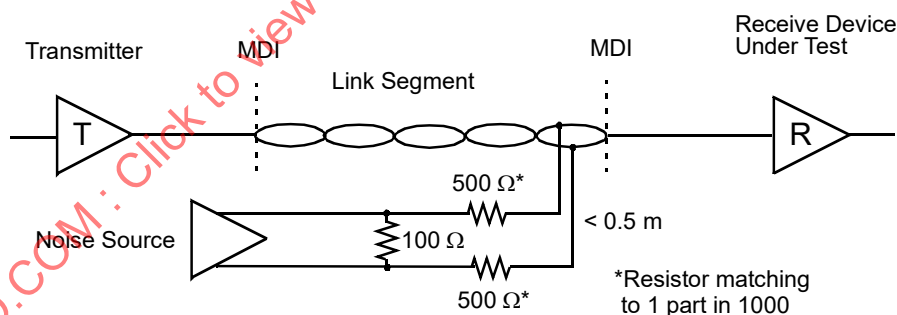


Figure 146-24—Alien crosstalk noise rejection test set-up

NOTE—If the output level is too high for the noise generator, the resistor divider network may be adapted to allow for a lower noise generator output level so that the noise signal fed into the receiver has a magnitude of -106 dBm/Hz with a bandwidth of 10 MHz, taking the 100 Ω termination within the PHY into account.

146.5.6 PMA local loopback

The PMA local loopback function is optional. If supported, the PMA shall be placed in local loopback mode when the PMA local loopback bit in MDIO register 1.0.0, defined in 45.2.1.1, or the PMA loopback bit in MDIO register 1.2294.0, defined in 45.2.1.186a.6, is set to one (or PMA loopback mode is enabled by a similar functionality if MDIO is not implemented). When the PHY is in the PMA local loopback mode, the PMA Receive function utilizes the echo signals from the open MDI and decodes these signals to pass the data back to the MII Receive interface. The data flow of the external loopback is shown in Figure 146–25. When PMA loopback mode is present and enabled, the PCS transmit scrambler polynomial and the receiver descrambler polynomial should be matched, e.g., the MASTER scrambler polynomial and the SLAVE descrambler polynomial, in order for looped data to be properly descrambled at the MII.

A MAC client can compare the packets sent through the MII Transmit function to the packets received from the MII Receive function to validate the 10BASE-T1L PCS and PMA functions.

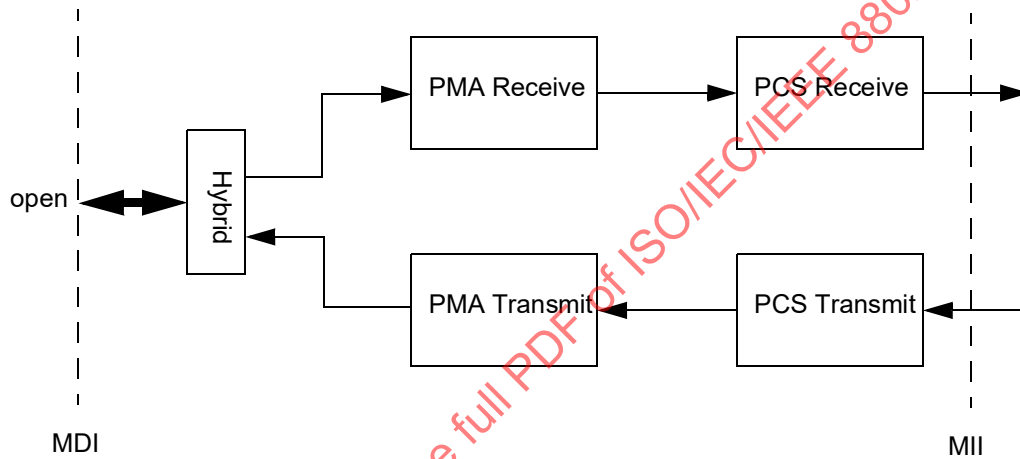


Figure 146–25—PMA loopback data flow

146.6 Management interface

10BASE-T1L uses the management interface as specified in Clause 45. The Clause 45 MDIO electrical interface is optional. Where no physical embodiment of the MDIO exists, provision of an equivalent mechanism to access the registers is recommended.

146.6.1 Support for Auto-Negotiation

If Auto-Negotiation is supported and enabled, the mechanism described in Clause 98 shall be used. Auto-Negotiation may be performed as part of the initial set-up of the link and allows negotiation of MASTER/SLAVE for loop timing, increased transmit level, and EEE capabilities.

146.6.2 MASTER-SLAVE configuration

MASTER-SLAVE assignment for each link configuration is necessary for establishing the timing control of each PHY. In 10BASE-T1L, one PHY should be configured as MASTER and one PHY should be configured as SLAVE to operate. In the case where both PHYs are configured to be MASTER or both to be SLAVE, operation is undefined.

If Auto-Negotiation is available and enabled, the MASTER-SLAVE configuration between the PHYs is established using the method being described in 98.2.1.2.5 and Table 98-4. If there is no Auto-Negotiation functionality present or if Auto-Negotiation function has been disabled, the MASTER-SLAVE configuration is performed for each PHY using bit 1.2100.14 (BASE-T1 PMA/PMD control register) or equivalent functionality.

146.6.3 PHY initialization

Both PHYs sharing a link segment are capable of being MASTER or SLAVE. A forced assignment scheme or an Auto-Negotiation process is employed depending on the use case of the PHY. This process is conducted at the power-up or reset condition. The station management systems can manually configure the 10BASE-T1L PHY to be MASTER or to be SLAVE (before the link acquisition process starts) or a hardware set-up using bootstrap options can be implemented.

When MDIO is implemented, MASTER/SLAVE mode can be selected by setting bit 1.2100.14 (BASE-T1 PMA/PMD Control Register) of the PHY Management register set as described in 45.2.1.185. If MDIO is not implemented, a similar functionality shall be provided by another interface. The default setting is to use Auto-Negotiation, if available.

146.6.4 Increased transmit level configuration

The transmitter output voltage can be selected by setting bit 1.2294.12 (10BASE-T1L PMA control register) of the PHY Management register set as described in 45.2.1.186a.3 if Auto-Negotiation is disabled or not present. If MDIO is not implemented, a similar functionality shall be provided by another interface.

When Auto-Negotiation is implemented and enabled, bit A23 shall contain a one if the PHY is requesting the increased transmit level from its link partner, and it shall contain a zero if the 2.4 Vpp operating mode is not requested from the link partner (see 146.5.4.1). Bit A24 shall contain a one if the PHY is supporting and advertising the 2.4 Vpp operating mode, and it shall contain a zero if the 2.4 Vpp operating mode is not supported or not advertised.

When Auto-Negotiation is present and enabled and both PHYs advertise an increased transmit/receive ability if at least one PHY requests the 10BASE-T1L increased transmit level, then both PHYs shall use the 2.4 Vpp operating mode, in all other cases both PHYs shall use the 1.0 Vpp operating mode.

146.6.5 EEE configuration

When Auto-Negotiation is implemented and enabled, bit A25 shall contain a one if the 10BASE-T1L PHY is supporting and advertising Energy Efficient Ethernet ability and it shall contain a zero if Energy Efficient Ethernet is not supported or not advertised.

146.6.6 PMA and PCS MDIO function mapping

The MDIO capability described in Clause 45 defines several variables that provide control and status information for and about the PMA and PCS. When MDIO is implemented, mapping of MDIO register bits to PMA and PCS control/status variables is shown in Table 146-4. If no MDIO is implemented, a similar functionality shall be implemented to access the needed variables.

Table 146–4—MDIO register bit mapping

Register Name	Register/Bit Number	Control/Status variable
BASE-T1 PMA/PMD control register	1.2100.3:0	T1 PHY type selection
BASE-T1 PMA/PMD control register	1.2100.14	Master/Slave mode
PMA/PMD Control 1 register 10BASE-T1L PMA control register	1.0.15 1.2294.15	pma_reset
PMA/PMD Control 1 register 10BASE-T1L PMA control register	1.0.0 1.2294.0	PMA loopback
PMA/PMD Status 1 register 10BASE-T1L PMA status register	1.1.2 1.2295.0	link_status
10BASE-T1L PMA control register	1.2294.12	Transmit voltage amplitude control
PCS Control 1 register 10BASE-T1L PCA control register	3.0.15 3.2278.15	pcs_reset
PCS Control 1 register 10BASE-T1L PCA control register	3.0.14 3.2278.14	PCS loopback

146.7 Link segment characteristics

10BASE-T1L is designed to operate over a single balanced pair of conductors that meets the requirements specified in this subclause. The single balanced pair of conductors supports an effective data rate of 10 Mb/s in each direction simultaneously. The term “link segment” used in this clause refers to a single balanced pair of conductors operating in full duplex. Note that Annex 146B provides information on the optional powering topologies. The class power requirements are specified in Clause 104.

The link segment specified in this clause is based on process control application requirements and supports up to ten in-line connectors using a single balanced pair of conductors for up to at least 1000 m.

146.7.1 Link transmission parameters for 10BASE-T1L

The transmission characteristics for the 10BASE-T1L link segment are specified to support applications requiring long reach such as industrial and process control, for up to at least 1000 m. 10BASE-T1L link segments may be shielded or screened, consistent with the specification in 146.7.1.6 and 146.7.2 or unshielded consistent with the specifications in 146.7.1.6 and 146.7.1.4.

146.7.1.1 Insertion loss

All 10BASE-T1L PHYs support the insertion loss specified in 146.7.1.1.2, but support of the insertion loss specified in 146.7.1.1.1 is required only when the 2.4 Vpp transmit/receive ability is operational.

146.7.1.1.1 Insertion loss for PHYs in the 2.4 Vpp operation mode

For PHYs in the 2.4 Vpp operation mode, the insertion loss of each 10BASE-T1L link segment shall meet the values determined using Equation (146–10).

$$\text{Insertion loss}(f) \leq 10 \left(1.23 \times \sqrt{f} + 0.01 \times f + \frac{0.2}{\sqrt{f}} \right) + 10 \times 0.02 \times \sqrt{f} \quad (\text{dB}) \quad (146-10)$$

where

f is the frequency in MHz; $0.1 \leq f \leq 20$

The insertion loss is illustrated in Figure 146–26.

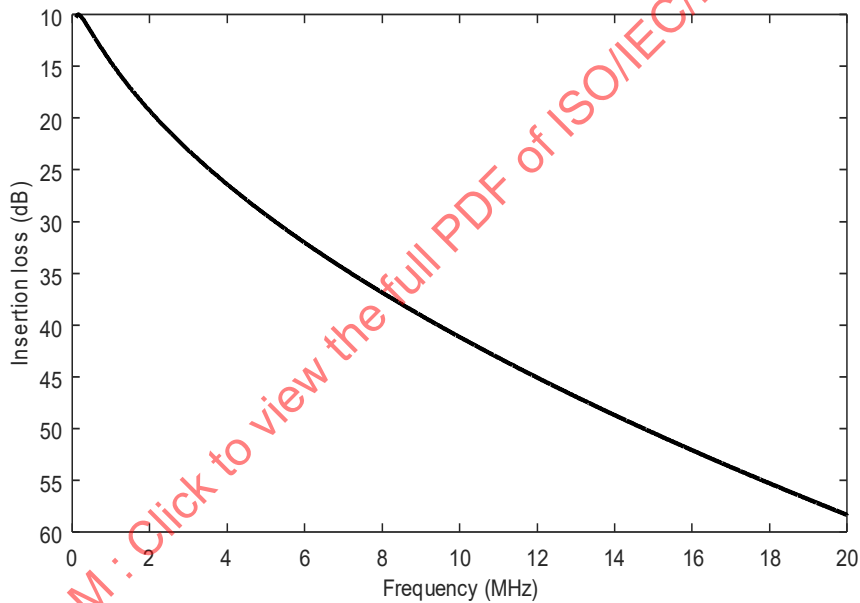


Figure 146–26—Insertion loss calculated using Equation (146–10)

146.7.1.1.2 Insertion loss supported for PHYs in 1.0 Vpp operation mode

For PHYs in the 1.0 Vpp operation mode, the insertion loss of each 10BASE-T1L link segment shall meet the values determined using Equation (146–11).

$$\text{Insertion loss}(f) \leq 5.9 \left(1.23 \times \sqrt{f} + 0.01 \times f + \frac{0.2}{\sqrt{f}} \right) + 10 \times 0.02 \times \sqrt{f} \quad (\text{dB}) \quad (146-11)$$

where

f is the frequency in MHz; $0.1 \leq f \leq 20$

The insertion loss is illustrated in Figure 146–27.

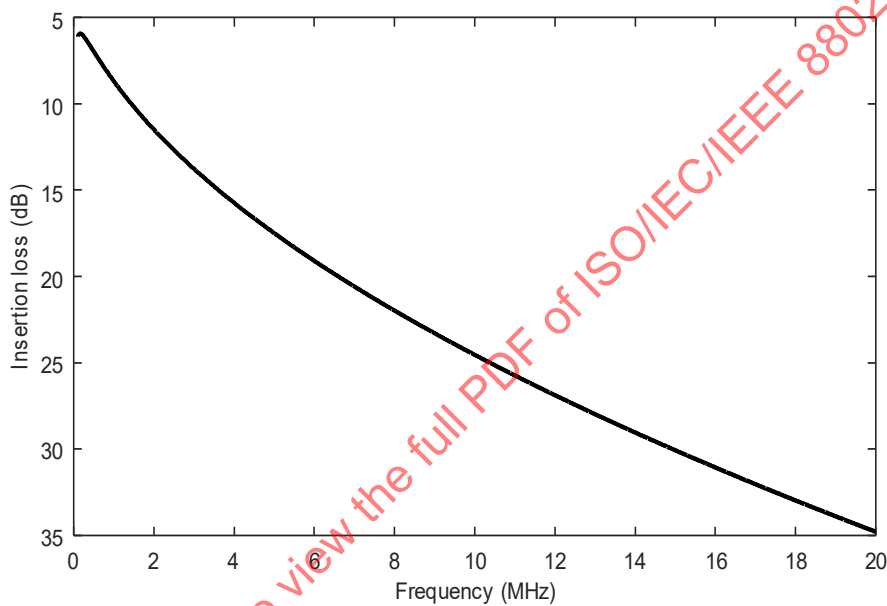


Figure 146–27—Insertion loss calculated using Equation (146–11)

146.7.1.2 Return loss

In order to limit the noise at the receiver due to impedance mismatches, each 10BASE-T1L link segment shall meet the values determined using Equation (146–12) at all frequencies from 0.1 MHz to 20 MHz. The reference impedance for the return loss specification is 100 Ω.

$$\text{Return loss} \geq \left\{ \begin{array}{ll} 9 + 8 \times f & 0.1 \leq f < 0.5 \text{ MHz} \\ 13 & 0.5 \leq f \leq 20 \text{ MHz} \end{array} \right\} \text{ dB} \quad (146-12)$$

where

f is the frequency in MHz; $0.1 \leq f \leq 20$

The return loss is illustrated in Figure 146–28.

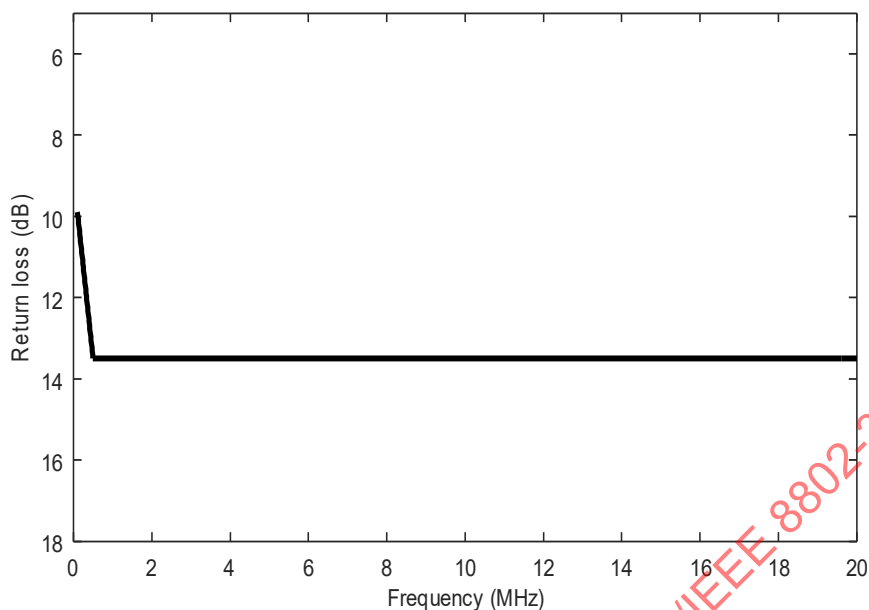


Figure 146-28—Return loss calculated using Equation (146-12)

146.7.1.3 Maximum link delay

The propagation delay of a 10BASE-T1L link segment shall not exceed 8834 ns at all frequencies between 0.1 MHz and 20 MHz. Note that the delay is derived from the point-to-point 1.63 mm (14 AWG) link segment length of 1589 m given in Table 146B-1 using Equation (80-1) with an ‘n’ of 0.6.

146.7.1.4 Differential to common mode conversion

The differential to common mode conversion requirement applies to unshielded link segments and depends on the electromagnetic noise environment. The requirements of Table 146-5 shall be met based on the local environment as described by the electromagnetic classifications given in Table 146-7, E₁ or E₂.

Table 146-5—Differential to common mode conversion

	Frequency (MHz)	E ₁	E ₂
TCL	$0.1 \leq f \leq 10$	≥ 50 dB	≥ 50 dB
TCL	$10 < f \leq 20$	$\geq 50 - 20 \log_{10} \left(\frac{f}{10} \right)$ dB	$\geq 50 - 20 \log_{10} \left(\frac{f}{10} \right)$ dB

146.7.1.5 Coupling attenuation

The coupling attenuation requirement applies to shielded link segments and depends on the electromagnetic noise environment. The requirements in Table 146-6 shall be met based on the local environment as described by the electromagnetic classifications given in Table 146-7, E₁, E₂, or E₃.

Table 146-6—Coupling attenuation

Frequency (MHz)	(dB)		
	E ₁	E ₂	E ₃
0.1 to 20	≥ 50	≥ 50	≥ 60

146.7.1.6 Electromagnetic classifications

Electromagnetic classifications for the link segment local environments are given in Table 146-7, for E₁, E₂, or E₃.

Table 146-7—Link segment electromagnetic classifications (ISO/IEC 11801-1)

Electromagnetic	E ₁	E ₂	E ₃
Conducted RF	3 V at 150 kHz to 80 MHz	3 V at 150 kHz to 80 MHz	10 V at 150 kHz to 80 MHz

146.7.2 Coupling parameters between 10BASE-T1L link segments

Noise coupled between the disturbed 10BASE-T1L link segment and other disturbing 10BASE-T1L link segments is referred to as alien crosstalk noise. To ensure that the total alien NEXT loss and alien FEXT loss coupled between 10BASE-T1L link segments are limited, multiple disturber alien near-end crosstalk (MDANEXT) loss and multiple disturber alien far-end crosstalk (MDAFEXT) loss are specified.

146.7.2.1 Multiple disturber power sum alien near-end crosstalk (PSANEXT) loss

In order to limit the alien crosstalk at the near end of a 10BASE-T1L link segment, the differential pair-to-pair near-end crosstalk (NEXT) loss between the disturbed 10BASE-T1L link segment and other disturbing 10BASE-T1L link segments is specified to meet the bit error ratio objective. To ensure that the total alien NEXT coupled into a 10BASE-T1L link segment is limited, multiple disturber alien NEXT loss is specified as the power sum of the individual alien NEXT disturbers.

PSANEXT loss is determined by summing the power of the individual pair-to-pair differential alien NEXT loss values over the frequency range 0.1 MHz to 20 MHz as follows in Equation (146-13).

$$PSANEXT_N(f) = -10 \log_{10} \sum_{j=1}^m 10^{\frac{-AN(f)_{j,N}}{10}} \text{ dB} \tag{146-13}$$

where the function AN(f)_{j,N} represents the magnitude (expressed in dB) of the alien NEXT loss at frequency f of the disturbing 10BASE-T1L link segment j (1 to m) for the disturbed 10BASE-T1L link segment N.

The power sum ANEXT loss between a disturbed 10BASE-T1L link segment and other disturbing 10BASE-T1L link segments shall meet the values determined using Equation (146-14) or 60 dB, whichever is less.

$$\text{PSANEXT}(f) \geq 37.5 - 17 \log_{10} \left(\frac{f}{20} \right) \text{ dB} \quad (146-14)$$

where

f is the frequency in MHz; $0.1 \leq f \leq 20$

146.7.2.2 Multiple disturber power sum alien far-end crosstalk (PSAFEXT) loss

In order to limit the alien crosstalk at the far-end of a 10BASE-T1L link segment, the differential pair-to-pair alien far-end crosstalk (FEXT) loss between the disturbed 10BASE-T1L link segment and other disturbing 10BASE-T1L link segments is specified to meet the bit error ratio objective. To ensure that the total alien FEXT coupled into a 10BASE-T1L link segment is limited, multiple disturber AFEXT is specified as the power sum of the individual alien FEXT disturbers. Note that the MDAFEXT is specified as the power sum of the individual alien FEXT disturbers (PSAFEXT) and not individual alien ACRF disturbers (PSAACR-F).

PSAFEXT is determined by summing the power of the individual pair-to-pair differential alien FEXT values over the frequency range 0.1 MHz to 20 MHz as follows in Equation (146-15).

$$\text{PSAFEXT}_N(f) = -10 \log_{10} \sum_{j=1}^m 10^{\frac{-\text{AF}(f)_{j,N}}{10}} \text{ dB} \quad (146-15)$$

where the function $\text{AF}(f)_{j,N}$ represents the magnitude (expressed in dB) of the alien FEXT of the disturbing 10BASE-T1L link segment j (1 to m) for disturbed 10BASE-T1L link segment N .

The power sum AFEXT between a disturbed 10BASE-T1L link segment and other disturbing 10BASE-T1L link segments shall meet the values determined using Equation (146-16) or 60 dB, whichever is less.

$$\text{PSAFEXT}(f) \geq 38 - 18 \log_{10} \left(\frac{f}{20} \right) \text{ dB} \quad (146-16)$$

where

f is the frequency in MHz; $0.1 \leq f \leq 20$

146.8 MDI specification

This subclause describes connectors that may be used at the MDI. It also specifies electrical requirements, including fault tolerance, at the MDI.

146.8.1 MDI connectors

The mechanical interface to the balanced cabling is a 3-pin connector (BI_DA+, BI_DA-, and optional SHIELD) or alternatively a 2-pin connector with an optional additional mechanical shield connection that conforms to the link segment specification defined in 146.7.

Specific systems or applications can use connectors or terminals that support the link segment specification defined in 146.7.

Connectors meeting the mechanical requirements of IEC 63171-1 [B39a] or IEC 63171-6:2020 [B39b] may be used as the mechanical interface to the balanced cabling. The plug connector is used on the balanced cabling and the MDI jack connector on the PHY. The IEC 63171-1 plug and jack are depicted (for informational use only) in Figure 146–29 and Figure 146–30 respectively, and the mating interface is depicted in Figure 146–31. The IEC 63171-6 plug and jack are depicted (for informational use only) in Figure 146–32 and Figure 146–33 respectively, and the mating interface is depicted in Figure 146–34. These connectors should support link segment DCR characteristics for 1.02 mm (18 AWG) to 0.40 mm (26 AWG) in Table 146B–1.

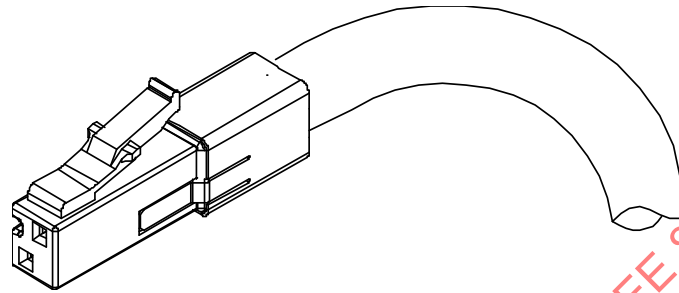


Figure 146–29—IEC 63171-1 plug

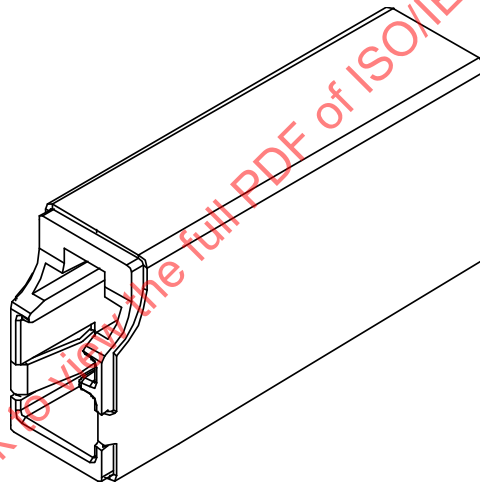


Figure 146–30—IEC 63171-1 jack

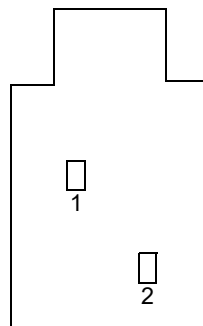


Figure 146–31—IEC 63171-1 mating face

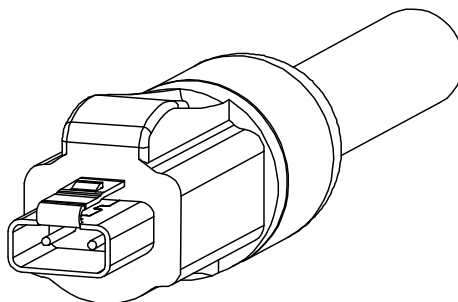


Figure 146-32—IEC 63171-6 plug

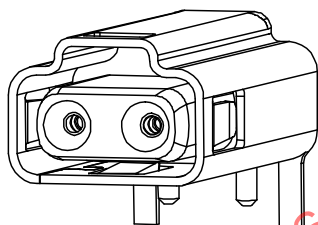


Figure 146-33—IEC 63171-6 jack

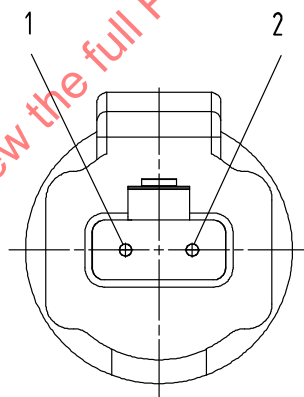


Figure 146-34—IEC 63171-6 mating face

The assignment of PMA signals to connector contacts for PHYs are given in Table 146-8.

Table 146-8—Assignment of PMA signals to MDI contacts

Contact	PMA signal
1	BI_DA+
2	BI_DA-

146.8.2 MDI electrical specification

The electrical requirements specified in 146.5.4 and 146.5.5 shall be met when the PHY is connected to the MDI connector mated with the specified plug connector.

146.8.3 MDI return loss

The MDI return loss (RL) shall meet or exceed Equation (146–17) for all frequencies from 100 kHz to 20 MHz (with $100 \Omega \pm 0.1\%$ reference impedance) at all times when the PHY is transmitting data or idle symbols.

$$\text{Return Loss } (f) \geq \left\{ \begin{array}{ll} 20 - 18 \times \log_{10} \left(\frac{0.2}{f} \right) \text{ dB} & 0.1 \leq f < 0.2 \text{ MHz} \\ 20 \text{ dB} & 0.2 \leq f \leq 1 \text{ MHz} \\ 20 - 16.7 \times \log_{10} (f) \text{ dB} & 1 < f \leq 10 \text{ MHz} \\ 3.3 - 7.6 \times \log_{10} \left(\frac{f}{10} \right) \text{ dB} & 10 < f \leq 20 \text{ MHz} \end{array} \right. \quad (146-17)$$

where f is the frequency in MHz.

146.8.4 MDI mode conversion loss

Mode conversion LCL (Sdc11) or TCL (Scd11) of the PHY measured at the MDI shall meet the values determined using Equation (146–18).

$$\text{Conversion Loss } (f) \geq \left[\begin{array}{ll} 25 \text{ dB} & 0.1 \leq f \leq 10 \text{ MHz} \\ 25 - 20 \times \log_{10} \left(\frac{f}{10} \right) \text{ dB} & 10 < f \leq 20 \text{ MHz} \end{array} \right] \quad (146-18)$$

where f is the frequency in MHz.

146.8.5 MDI DC power voltage tolerance

The DTE shall withstand without damage the application of any voltages between 0 V dc and 60 V dc with the source current limited to 2000 mA, applied across BI_DA+ and BI_DA–, in either polarity, under all operating conditions, for an indefinite period of time. This requirement ensures that all devices tolerate DC powering voltages, such as those in Clause 104, even if the device does not require power.

146.8.6 MDI fault tolerance

The wire pair of the MDI shall withstand without damage the application of short circuits of any wire to the other wire of the same pair or ground potential, as per Table 146–9, under all operating conditions, for an indefinite period of time. Normal operation shall resume after the short circuit(s) is/are removed.

The wire pair of the MDI is expected to withstand, without damage, high-voltage transient noises and ESD per application requirements. Table 146–9 gives an overview about possible connection faults for the wire pair (BI_DA+ and BI_DA–).

Table 146–9—Fault conditions

BI_DA+	BI_DA–
BI_DA–	BI_DA+
Ground	No fault
No fault	Ground
Ground	Ground
+60 V dc	No fault
No fault	+60 V dc
+60 V dc	+60 V dc
Ground	+60 V dc
+60 V dc	Ground

NOTE—Typically, industrial control circuits are SELV/PELV limited to a maximum voltage of 60 V. The maximum current is limited by the 50 Ω termination resistors in each signal line. Depending on the internal structure of the PHY IC, additional external clamping diodes could be necessary. Due to the AC signal coupling, the maximum current is applied only while charging the signal coupling capacitors.

146.9 Environmental specifications

146.9.1 General safety

All equipment subject to this clause shall conform to IEC 60950-1, IEC 62368-1, or IEC 61010-1. All equipment subject to this clause may be additionally required to conform to any applicable local, state, or national standards

146.9.2 Network safety

All cabling and equipment subject to this clause is expected to be mechanically and electrically secure in a professional manner. All 10BASE-T1L cabling is expected to be routed according to any applicable local, state, or national standards considering all relevant safety requirements.

146.9.2.1 Environmental safety

In industrial applications, all equipment subject to this clause is expected to conform to the potential environmental stresses with respect to their mounting location, as defined in the following specifications, where applicable:

- Environmental loads: IEC 60529 and ISO 4892
- Mechanical loads: IEC 60068-2-6 and IEC 60068-2-31
- Climatic loads: IEC 60068-2-1, IEC 60068-2-2, IEC 60068-2-14, IEC 60068-2-27, IEC 60068-2-30, IEC 60068-2-38, IEC 60068-2-52, and IEC 60068-2-78

146.9.2.2 Electromagnetic compatibility

A system integrating the 10BASE-T1L PHY is expected to comply with all applicable local and national codes for electromagnetic compatibility.

146.10 Delay constraints

Every 10BASE-T1L PHY associated with MII shall comply with the bit delay constraints for full duplex operation. The delay for the transmit path, from the MII input to the MDI, shall be less than 3.2 μ s (32 bit times). The delay for the receive path, from the MDI to the MII output, shall be less than 6.4 μ s (64 bit times).

STANDARDSISO.COM : Click to view the full PDF of ISO/IEC/IEEE 8802-3:2021/Amd 5:2021

146.11 Protocol implementation conformance statement (PICS) proforma for Clause 146, Physical Coding Sublayer (PCS), Physical Medium Attachment (PMA) sublayer and baseband medium, type 10BASE-T1L¹

146.11.1 Introduction

The supplier of a protocol implementation that is claimed to conform to Clause 146, Physical Coding Sublayer (PCS), Physical Medium Attachment (PMA) sublayer and baseband medium, type 10BASE-T1L, shall complete the following protocol implementation conformance statement (PICS) proforma.

A detailed description of the symbols used in the PICS proforma, along with instructions for completing the PICS proforma, can be found in [Clause 21](#).

146.11.2 Identification

146.11.2.1 Implementation identification

Supplier ¹	
Contact point for inquiries about the PICS ¹	
Implementation Name(s) and Version(s) ^{1,3}	
Other information necessary for full identification—e.g., name(s) and version(s) for machines and/or operating systems; System Name(s) ²	
NOTE 1—Required for all implementations. NOTE 2—May be completed as appropriate in meeting the requirements for the identification. NOTE 3—The terms Name and Version should be interpreted appropriately to correspond with a supplier’s terminology (e.g., Type, Series, Model).	

146.11.2.2 Protocol summary

Identification of protocol standard	IEEE Std 802.3cg-2019, Clause 146, Physical Coding Sublayer (PCS), Physical Medium Attachment (PMA) sublayer and baseband medium, type 10BASE-T1L
Identification of amendments and corrigenda to this PICS proforma that have been completed as part of this PICS	
Have any Exception items been required? No [] Yes [] (See Clause 21 ; the answer Yes means that the implementation does not conform to IEEE Std 802.3cg-2019.)	

Date of Statement	
-------------------	--

¹Copyright release for PICS proformas: Users of this standard may freely reproduce the PICS proforma in this subclause so that it can be used for its intended purpose and may further publish the completed PICS.

146.11.3 Major capabilities/options

Item	Feature	Subclause	Value/Comment	Status	Support
MII	PHY associated with MII	146.1.1		O	Yes [] No []
*EEE	Energy Efficient Ethernet (EEE) capability	146.1.2, 78		O	Yes [] No []
*AN	Auto-Negotiation	98		O	Yes [] No []
*INS	Installation / cabling	146.7	Items marked with INS include installation practices and cabling specifications not applicable to a PHY manufacturer.	O	Yes [] No []
PCS	10BASE-T1L PCS	146.3		M	Yes []
PMA	10BASE-T1L PMA	146.4		M	Yes []
*MDIO	MDIO capability	45.1		O	Yes [] No []
*RTDL	2.4 Vpp operating mode	146.5.4.1		O	Yes [] No []

146.11.4 PICS proforma tables for Physical Coding Sublayer (PCS), Physical Medium Attachment (PMA) sublayer and baseband medium, type 10BASE-T1L

146.11.4.1 Physical Coding Sublayer (PCS)

146.11.4.1.1 PCS Transmit

Item	Feature	Subclause	Value/Comment	Status	Support
PCST1	PCS reset	146.3.1	See 146.3.1	M	Yes []
PCST2	PCS Data Transmission Enable function	146.3.2	Conform to the PCS Transmit State diagram	M	Yes []
PCST3	PCS Transmit function	146.3.3.1	Conform to the PCS Transmit state diagram in Figure 146–5 and PCS Transmit multiplexer state diagram in Figure 146–6 and the associated state variables, functions, and messages	M	Yes []
PCST4	Master PHY PCS side-stream scrambler	146.3.3.4.1	See Equation (146–1)	M	Yes []
PCST5	Slave PHY PCS side-stream scrambler	146.3.3.4.1	See Equation (146–2)	M	Yes []
PCST6	PCS scrambler seed values	146.3.3.4.1	Never initialized to zeros	M	Yes []

Item	Feature	Subclause	Value/Comment	Status	Support
PCST7	$Sy_n[4:0]$	146.3.3.4.2	See 146.3.3.4.2	M	Yes []
PCST8	$Sd_n[3:0]$	146.3.3.4.3	See 146.3.3.4.3	M	Yes []
PCST9	$Sy_n[1]$ and $Sy_n[2]$	146.3.3.4.3	Swapped compared to data transmission	M	Yes []

146.11.4.1.2 PCS Receive

Item	Feature	Subclause	Value/Comment	Status	Support
PCSR1	PCS Receive function	146.3.4.1	Conform to the PCS Receive state diagram and associated variables	M	Yes []
PCSR2	Receive watchdog state diagram	146.3.4.1	See Figure 146–11	M	Yes []
PCSR3	Maximum dwelling time in DATA state of PCS receive state diagram	146.3.4.1	Less than <code>rcv_max_timer</code>	M	Yes []
PCSR4	<code>disparity_error</code> signal	146.3.4.2	Generated by the decoder when a code-group is received that is not allowed according to the current running disparity value	M	Yes []
PCSR5	<code>RX_DV</code>	146.3.4.2	<code>RX_DV = TRUE</code> when SSD is received, <code>RX_DV = FALSE</code> when ESD or ESD with error is received	M	Yes []
PCSR6	<code>RX_ER</code>	146.3.4.2	<code>RX_ER = TRUE</code> when bad ESDs, <code>ERR_ESD</code> , or bad SSDs are received, <code>RX_ER</code> reset to <code>FALSE</code> when in IDLE state of PCS Receive state diagram	M	Yes []
PCSR7	MASTER PHY side-stream descrambler	146.3.4.3	See Equation (146–4)	M	Yes []
PCSR8	SLAVE PHY side-stream descrambler	146.3.4.3	See Equation (146–5)	M	Yes []
PCSR9	Automatic polarity detection	146.3.4.4	Implemented in the PHY receiver	M	Yes []

146.11.4.1.3 PCS loopback

Item	Feature	Subclause	Value/Comment	Status	Support
PCSL1	PCS loopback	146.3.5	The PCS shall be placed in loopback mode when the loopback bit in MDIO register 3.0.14, defined in 45.2.3.1.2, or the loopback bit in MDIO register 3.2278.14, defined in 45.2.3.68a.2, is set to one	MDIO:M	Yes [] N/A []
PCSL2	PCS loopback function	146.3.5	The PCS shall accept data on the transmit path from the MII and return it on the receive path to the MII	M	Yes []
PCSL3	PHY receive circuitry isolation	146.3.5	The PHY receive circuitry shall be isolated from the network medium	M	Yes []
PCSL4	PHY transmit circuitry isolation	146.3.5	The assertion of TX_EN at the MII shall not result in the transmission of data on the network medium	M	Yes []

146.11.4.2 Physical Medium Attachment (PMA)

146.11.4.2.1 PMA function

Item	Feature	Subclause	Value/Comment	Status	Support
PMA1	PMA reset function	146.4.1	See 146.4.1	M	Yes []
PMA2	PMA reset	146.4.1	Set pma_reset = TRUE while reset conditions hold true	M	Yes []
PMA3	PMA Transmit fault function	146.4.2	Mapped to the transmit fault bit as specified in 45.2.1.7.4	MDIO:O	Yes [] No [] N/A []
PMA4	PMA Receive fault function	146.4.3	Contribute to the receive fault bit specified in 45.2.1.7.5 and 45.2.1.186b.7	MDIO:O	Yes [] No [] N/A []
PMA5	LPI synchronization	146.4.4	EEE-capable PHYs synchronize refresh intervals during periods of low-power idle	EEE:M	Yes [] N/A []
PMA6	PHY Control	146.4.4	See Figure 146–15, Figure 146–16, and Figure 146–17	M	Yes []
PMA7	Link Monitor operation	146.4.5	See Figure 146–18	M	Yes []
PMA8	Quiet-Refresh cycling state diagram	146.4.7	See Figure 146–19	EEE:M	Yes [] N/A []

146.11.4.2.2 PMA electrical specification

Item	Feature	Subclause	Value/Comment	Status	Support
PMAE1	Test modes	146.5.2	Implemented in PHY to allow testing transmitter electrical requirements	M	Yes []
PMAE2	Enable test modes	146.5.2	Enable by setting bits 1.2296.15:13 as described in 45.2.1.186c.1 when MDIO implemented; similar functionality provided otherwise	MDIO: M	Yes [] N/A []
PMAE3	These test modes shall change only the data symbols provided to the transmitter circuitry and shall not alter the electrical and jitter characteristics of the transmitter and receiver from those of normal (non-test mode) operation	146.5.2		M	Yes []
PMAE4	Test mode 1	146.5.2	When enabled, PHY repeatedly transmits the data symbol sequence (+1, -1)	M	Yes []
PMAE5	Test mode 2	146.5.2	When enabled, PHY repeatedly transmits ten "+1" symbols followed by ten "-1" symbols	M	Yes []
PMAE6	Test mode 3	146.5.2	Transmit as in non-test operation and in the MASTER data mode with data set to normal Inter-Frame idle signals	M	Yes []
PMAE7	TX_TCLK	146.5.3	PHY to provide access to the symbol rate clock	M	Yes []
PMAE8	AC coupling at MDI	146.5.4		M	Yes []
PMAE9	The transmitter shall meet the requirements of this subclause with a 100-Ω ± 0.1% resistive differential load connected to the transmitter output	146.5.4		M	Yes []
PMAE10	Transmitter output voltage	146.5.4.1	2.4 V + 5%/- 15% peak-to-peak in the 2.4 V _{pp} operating mode when measured on test mode 1, 1.0 V + 5%/- 15% peak-to-peak in the 1.0 V _{pp} operating mode when measured on test mode 1	RTDL: M	Yes [] N/A []
PMAE11	Transmitter output droop	146.5.4.2	Less than 10%	M	Yes []
PMAE12	Transmitter timing jitter	146.5.4.3	Less than 10 ns symbol-to-symbol jitter when measured on test mode 1	M	Yes []

ISO/IEC/IEEE 8802-3:2021/Amd.5:2021(E)

IEEE Std 802.3cg-2019

IEEE Standard for Ethernet—Amendment 5: Physical Layer Specifications and Management Parameters for 10 Mb/s Operation and Associated Power Delivery over a Single Balanced Pair of Conductors

Item	Feature	Subclause	Value/Comment	Status	Support
PMAE13	Transmit power in test mode 3	146.5.4.4	8.6 ± 1.0 dBm for the 2.4 Vpp transmit amplitude, and 1 ± 1.2 dBm for the 1.0 Vpp transmit amplitude, when measured into a 100 Ω load using the test fixture shown in Figure 146–21	M	Yes []
PMAE14	Transmit power spectral density in test mode 3	146.5.4.4	Between the upper and lower masks specified in Equation (146–6) and Equation (146–7) for the 2.4 Vpp transmit amplitude and Equation (146–8) and Equation (146–9) for the 1.0 Vpp transmit amplitude, when measured into a 100 Ω load using the test fixture shown in Figure 146–21	M	Yes []
PMAE15	Transmitter clock frequency	146.5.4.5	Within the range of 7.5 MBd \pm 50 ppm	M	Yes []
PMAE16	LPI mode the short-term rate of frequency variation	146.5.4.5	Less than 0.1 ppm/second	EEE:M	Yes [] N/A []
PMAE17	PMA receive function	146.5.5	Requirements met using link segment defined in 146.7	M	Yes []
PMAE18	Receiver differential input signals	146.5.5.1	Received with a bit error ratio less than 10^{-9}	M	Yes []
PMAE19	Receiver frequency tolerance	146.5.5.2	Within the range of 7.5 MBd \pm 50 ppm	M	Yes []
PMAE20	Alien crosstalk noise rejection	146.5.5.3	BER < 10^{-9} with an alien crosstalk noise of magnitude of -106 dBm/Hz and bandwidth of 10 MHz at the MDI	M	Yes []
PMAE21	PMA local loopback	146.5.6	The PMA shall be placed in loopback mode when the PMA local loopback bit in MDIO register 1.0.0, defined in 45.2.1.1, or in MDIO register 1.2294.0, defined in 45.2.1.186a.6 is set to one	MDIO:O	Yes [] No [] N/A []

146.11.4.3 Management interface

Item	Feature	Subclause	Value/Comment	Status	Support
MI1	Auto-Negotiation	146.1.2, 146.6.1	Clause 98 is used if Auto-Negotiation is supported and enabled	AN:M	Yes [] N/A []
MI2	MASTER-SLAVE relationship when Auto-Negotiation is not used	146.1.2	Established by management or hardware configuration of the PHYs	M	Yes []
MI3	MASTER/SLAVE mode selection	146.6.3	Default setting chosen by Auto-Negotiation, by setting bits 1.2100.14 as described in 45.2.1.185 when MDIO is implemented; similar functionality provided otherwise	AN:M MDIO:M	Yes [] N/A []
MI4	Transmitter output voltage setting	146.6.4	Default setting chosen by Auto-Negotiation, by setting bit 1.2294.12 as described in 45.2.1.186a.3 when MDIO implemented; similar functionality provided otherwise	RTDL:O	Yes [] No [] N/A []
MI5	Increased transmit level request	146.6.4	Bit A23 contains a one if the PHY is requesting the increased transmit level; otherwise, bit A23 contains a zero	RTDL:O AN:M	Yes [] No [] N/A []
MI6	Increased transmit level support	146.6.4	Bit A24 contains a one if the PHY is supporting and advertising the 2.4 Vpp operating mode; otherwise, bit A24 contains a zero	RTDL:O AN:M	Yes [] No [] N/A []
MI7	Increased transmit level selection	146.6.4	If both PHYs advertise increased transmit/receive ability and at least one PHY requests an increased transmit level, the 2.4 Vpp operating mode is selected; otherwise, the 1.0 Vpp operating mode is selected	RTDL:O AN:M	Yes [] No [] N/A []
MI8	Energy Efficient Ethernet ability	146.6.5	Bit A25 contains a one if Energy Efficient Ethernet is supported and advertised; otherwise, bit A25 contains a zero	EEE:M AN:M	Yes [] N/A []
MI9	PMA and PCS MDIO function mapping	146.6.6	See Table 146-4 when MDIO is implemented; similar functionality provided otherwise	MDIO:M	Yes [] N/A []

146.11.4.4 Link Segment characteristics

Item	Feature	Subclause	Value/Comment	Status	Support
LMF1	Insertion loss (1.0 Vpp operating mode)	146.7.1.1.2	See Equation (146–11)	INS:M	Yes []
LMF2	Insertion loss (2.4 Vpp operating mode)	146.7.1.1.1	See Equation (146–10)	INS:O, RTDL:M	Yes [] N/A[]
LMF3	Return loss	146.7.1.2	See Equation (146–12)	INS:M	Yes []
LMF4	Maximum link delay	146.7.1.3	Not exceed 8834 ns for all frequencies between 1 MHz to 20 MHz	INS:M	Yes []
LMF5	Differential to common mode conversion	146.7.1.4	See Table 146–5	INS:M	Yes []
LMF6	Coupling attenuation	146.7.1.5	See Table 146–6	INS:M	Yes []
LMF7	Power sum ANEXT loss between a disturbed 10BASE-T1L link segment and the disturbing 10BASE-T1L link segment	146.7.2.1	See Equation (146–14) or 60 dB, whichever is less	INS:M	Yes []
LMF8	Power sum AFEXT loss between a disturbed 10BASE-T1L link segment and the disturbing 10BASE-T1L link segment	146.7.2.2	See Equation (146–16) or 60 dB, whichever is less	INS:M	Yes []

146.11.4.5 MDI specifications

Item	Feature	Subclause	Value/Comment	Status	Support
MDI1	Mated MDI performance	146.8.2	Electrical requirements specified in 146.5.4 and 146.5.5 shall be met when the PHY is connected to the MDI connector mated with the specified plug connector	M	Yes []
MDI2	MDI Return Loss	146.8.3	Meets or exceeds Equation (146–17)	M	Yes []
MDI3	MDI Mode conversion loss	146.8.4	Meets or exceeds Equation (146–18)	M	Yes []
MDI4	MDI line powering voltage tolerance	146.8.5	Up to 60 V DC with the source current limited to 2000 mA	M	Yes []
MDI5	MDI fault tolerance	146.8.6	Withstand without damage the application of a short circuit of any wire to the other wire of the same pair or ground potential, operation resumes after removing the short(s)	M	Yes []

146.11.4.6 Environmental specifications

Item	Feature	Subclause	Value/Comment	Status	Support
ES1	Conform to IEC 60950-1, IEC 62368-1, or IEC 61010-1	146.9.1		M	Yes []

146.11.4.7 Delay constraints

Item	Feature	Subclause	Value/Comment	Status	Support
DC1	10BASE-T1L PHY associated with MII	146.10	Comply with the bit delay constraints for full duplex operation	M	Yes []
DC2	Transmit path delay	146.10	Less than 3.2 μ s (32 bit times)	M	Yes []
DC3	Receive path delay	146.10	Less than 6.4 μ s (64 bit times)	M	Yes []

STANDARDSISO.COM : Click to view the full PDF of ISO/IEC/IEEE 8802-3:2021/Amd 5:2021

147. Physical Coding Sublayer (PCS), Physical Medium Attachment (PMA) sublayer and baseband medium, type 10BASE-T1S

147.1 Overview

This clause defines the type 10BASE-T1S Physical Coding Sublayer (PCS) and type 10BASE-T1S Physical Medium Attachment (PMA) sublayer. Together, the PCS and PMA sublayers comprise a 10BASE-T1S Physical Layer (PHY). Provided in this clause are full functional and electrical specifications for the type 10BASE-T1S PCS, PMA, and MDI.

The 10BASE-T1S PHY is specified to be capable of operating at 10 Mb/s in several modes. All 10BASE-T1S PHYs can operate as a half-duplex PHY with a single link partner over a point-to-point link segment defined in 147.7, and, additionally, there are two mutually exclusive optional operating modes: a full-duplex point-to-point mode over the link segment, defined in 147.7, and a half-duplex shared-medium mode, referred to as multidrop mode, capable of operating with multiple stations connected to a mixing segment, defined in 147.8. The medium supporting the operation of the 10BASE-T1S PHY is defined in terms of performance requirements between the attachment points (Medium Dependent Interface (MDI)), allowing implementers to specify their own media to operate the 10BASE-T1S PHY as long as the normative requirements included in this clause are met.

10BASE-T1S PHYs optionally support PHY Level Collision Avoidance (PLCA), described in Clause 148.

10BASE-T1S follows an integrated PCS and PMA architecture and therefore does not support an AUI (see Figure 1–1).

147.1.1 Relationship of 10BASE-T1S to other standards

The relationship between the 10BASE-T1S, the ISO Open Systems Interconnection (OSI) Reference Model, and the IEEE 802.3 Ethernet model are shown in Figure 147–1. The PHY sublayers (shown shaded) in Figure 147–1 connect one Clause 4 Media Access Control (MAC) layer to the medium. Auto-Negotiation for 10BASE-T1S is defined in Clause 98 and is not available in multidrop mode. Selection between multidrop and point-to-point mode is made via the appropriate configuration bit. A Management Entity is required using MDIO or equivalent functionality. Optional MDIO is defined in Clause 45.

147.1.2 Operation of 10BASE-T1S

All 10BASE-T1S PHYs can operate using half-duplex point-to-point communications on a link segment using a single balanced pair of conductors, supporting up to four in-line connectors and up to at least 15 meters in reach, with an effective data rate of 10 Mb/s shared between the two directions of transmission. 10BASE-T1S PHYs supporting the option of full-duplex point-to-point operation may operate with an effective data rate of 10 Mb/s in each direction simultaneously, supporting up to four in-line connectors and up to at least 15 meters in reach.

Additionally, the 10BASE-T1S PHY may operate using half-duplex communications on a mixing segment using a single balanced pair of conductors, interconnecting up to at least 8 PHYs to a trunk up to at least 25 m. PHYs may be attached in-line with the trunk or at the end of stubs with a length of up to 10 cm. An overall effective data rate of 10 Mb/s is shared among the nodes. Larger PHY count and reach may be achieved provided the mixing segment specifications in 147.8 are met.

The 10BASE-T1S PHY utilizes two level Differential Manchester Encoding (DME). A 17-bit self-synchronizing scrambler is used to improve the EMC performance. Following scrambling of the data, 4B/5B encoding is performed (see 147.3.2.4). DME is a self-clocked and intrinsically balanced line coding that guarantees very low DC baseline wander and allows for robust clock and data recovery in noisy environments. The 4B/5B mapping and the scrambler are contained within the PCS (see 147.3) while the DME encoder/decoder is contained in the PMA (see 147.4).

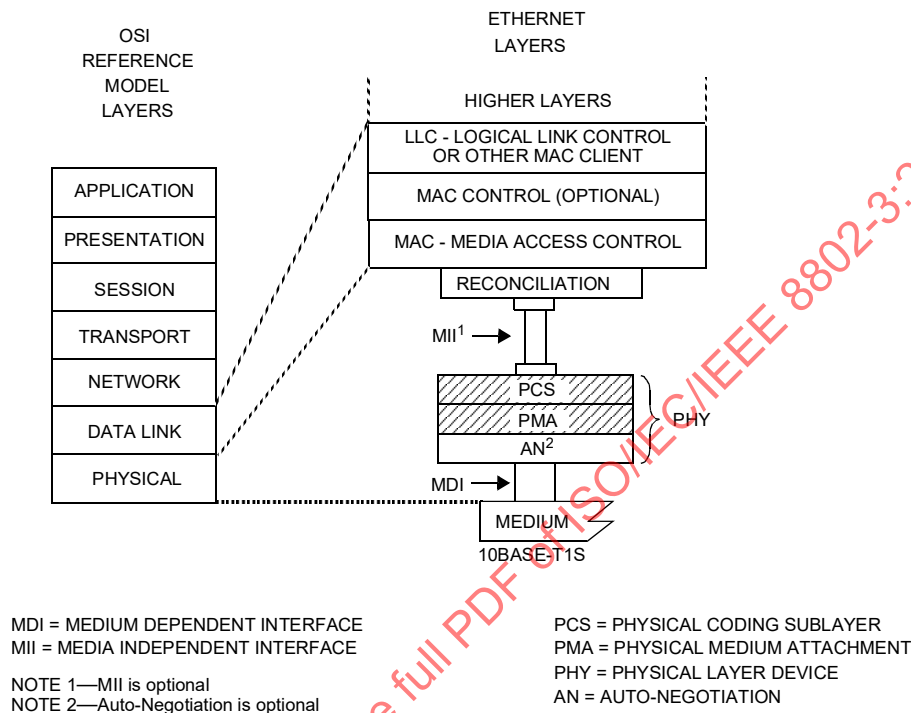


Figure 147-1—Relationship of 10BASE-T1S PHY to the ISO/IEC OSI reference model and the IEEE 802.3 Ethernet model

147.1.3 Conventions in this clause

The body of this clause contains state diagrams, including definitions of variables, constants, and functions. Should there be a discrepancy between a state diagram and descriptive text, the state diagram prevails.

147.1.3.1 State diagram notation

The conventions of 21.5 are adopted with the extension that some states in the state diagrams use an IF-THEN-ELSE-END construct to condition which actions are taken within the state. If the logical expression associated with the IF evaluates TRUE, all the actions listed between THEN and ELSE will be executed. In the case where ELSE is omitted, the actions listed between THEN and END will be executed. If the logical expression associated with the IF evaluates FALSE, the actions listed between ELSE and END will be executed. After executing the actions listed between THEN and ELSE, between THEN and END, or between ELSE and END, the actions following the END, if any, will be executed.

147.1.3.2 State diagram timer specifications

All timers operate in the manner described in 40.4.5.2.

147.1.3.3 Service specifications

The method and notation used in the service specification follows the conventions of 1.2.2.

147.2 Service primitives and interfaces

The 10BASE-T1S PHY uses the service primitives and interfaces in 40.2, with exception of the following clarifications and differences noted in this subclause. Figure 147–2 shows the relationship of the service primitives and interfaces used by the 10BASE-T1S PHY.

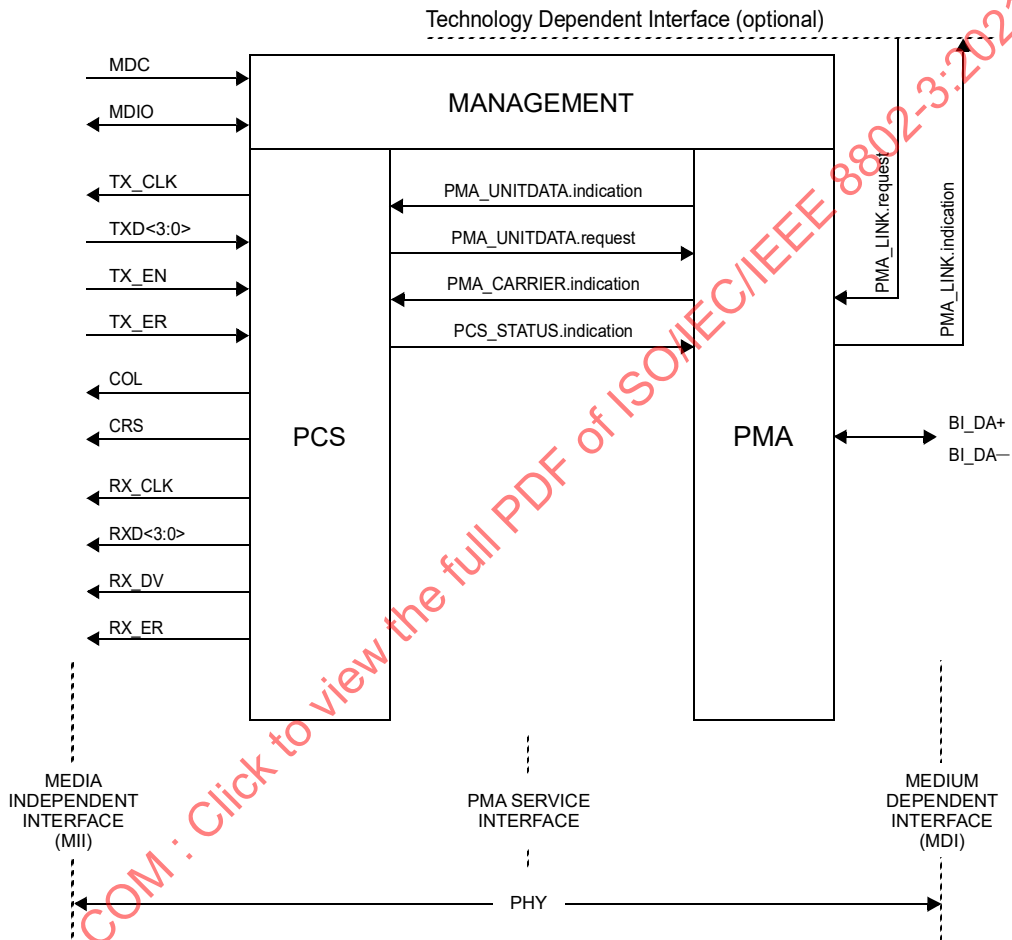


Figure 147–2—10BASE-T1S PHY interfaces

The 10BASE-T1S PHY uses the Media Independent Interface (MII) as specified in Clause 22.

As shown in Figure 147–2, 10BASE-T1S uses the following service primitives to exchange symbol vectors, status indications, and control signals across the PMA service interface:

- PMA_UNITDATA.indication (rx_sym)
- PMA_UNITDATA.request (tx_sym)
- PMA_CARRIER.indication (pma_crs)
- PMA_LINK.indication (link_status)

PMA_LINK.request (link_control)
PCS_STATUS.indication (pcs_status)

147.2.1 PMA_UNITDATA.indication

This primitive defines the transfer of one 5B symbol in the form of the rx_sym parameter from the PMA to the PCS.

147.2.1.1 Semantics of the primitive

PMA_UNITDATA.indication (rx_sym)

During reception, the PMA_UNITDATA.indication conveys to the PCS, via the parameter rx_sym, the value of the 5B symbol detected on the MDI during each cycle of the recovered clock.

147.2.1.2 When generated

The PMA generates PMA_UNITDATA.indication (rx_sym) messages synchronously for every 5B symbol received at the MDI. The nominal rate of the PMA_UNITDATA.indication primitive is 2.5 MHz, as governed by the recovered clock.

147.2.1.3 Effect of receipt

The effect of receipt of this primitive is unspecified.

147.2.2 PMA_UNITDATA.request

This primitive defines the transfer of one symbol in the form of the tx_sym parameter from the PCS to the PMA.

The symbol is obtained in the PCS Transmit function using the encoding rules defined in 147.3.2 to represent 4B/5B encoded MII data or special out of band signaling.

147.2.2.1 Semantics of the primitive

PMA_UNITDATA.request (tx_sym)

During transmission, the PMA_UNITDATA.request conveys the value of the symbol to be sent over the MDI, via the parameter tx_sym.

The tx_sym parameter is one of the allowed 5B codes specified in Table 147–1.

147.2.2.2 When generated

The PCS generates PMA_UNITDATA.request (tx_sym) synchronously with every symb_timer expiration. The symb_timer is defined in 147.3.2.6.

147.2.2.3 Effect of receipt

Upon receipt of this primitive the PMA transmits on the MDI the signals corresponding to the indicated 5B symbol after processing it with DME following the rules in 147.4.

147.2.3 Mapping of PMA_CARRIER.indication

Reports whether a signal compatible with DME encoding rules specified in 147.4.2 is detected on the medium.

147.2.3.1 Function

Maps the primitive PMA_CARRIER.indication to the MII CRS signal.

147.2.3.2 Semantic of the service primitive

PMA_CARRIER.indication (pma_crs)

The pma_crs parameter can take one of two values: CARRIER_ON or CARRIER_OFF.

The pma_crs parameter is set to CARRIER_ON if a signal compatible with DME encoding rules specified in 147.4.2 is present on the medium. Otherwise, the pma_crs parameter is set to CARRIER_OFF.

147.2.3.3 When generated

The PMA_CARRIER.indication primitive is generated continuously by the PMA sublayer.

147.2.4 PMA_LINK.request

This primitive allows Auto-Negotiation to enable and disable operation of the PMA, as specified in 98.4.2.

147.2.4.1 Semantics of the primitive

PMA_LINK.request (link_control)

The link_control parameter can take on one of the following two values:

DISABLE	Used by Auto-Negotiation function to disable the PHY.
ENABLE	Used by Auto-Negotiation function to enable the PHY.

147.2.4.2 When generated

Auto-Negotiation generates this primitive to indicate a change in link_control as described in 98.4.

147.2.5 PMA_LINK.indication

This primitive is generated by the PMA to indicate the status of the underlying medium as specified in 98.4.1. This primitive informs Auto-Negotiation functions about the status of the underlying link.

147.2.5.1 Semantics of the primitive

PMA_LINK.indication (link_status)

The link_status parameter can take on the following two values:

FAIL	No valid link established.
OK	The Link Monitor function indicates that a valid 10BASE-T1S link is established. Reliable reception of signals transmitted from the remote PHY is possible.

147.2.5.2 When generated

The PMA generates this primitive to indicate a change in link_status in compliance with the state diagram given in Figure 147–14.

147.2.5.3 Effect of receipt

The effect of receipt of this primitive is specified in 98.4.1.

147.2.6 PCS_STATUS.indication

This primitive is generated by the PCS to indicate PCS status to the PMA.

147.2.6.1 Semantics of the primitive

PCS_STATUS.indication (pcs_status)

The pcs_status parameter can take on the following two values:

NOT_OK	PCS is not receiving valid packets or heartbeat signals from the remote PHY.
OK	PCS is actively receiving valid packets and/or heartbeat signals from the remote PHY.

147.2.6.2 When generated

The PCS generates this primitive continuously. The pcs_status parameter is set according to the state diagram in Figure 147–11.

147.2.6.3 Effect of receipt

The effect of receipt of this primitive is specified in 147.4.4.

147.3 Physical Coding Sublayer (PCS) functions

The Physical Coding Sublayer (PCS) consists of PCS Reset, PCS Transmit, and PCS Receive functions as shown in Figure 147–3. The PCS Reset function is explained in 147.3.1, the PCS Transmit function is explained in 147.3.2, the PCS Receive function is explained in 147.3.3, and the PCS Loopback function is explained in 147.3.4.

147.3.1 PCS Reset function

PCS Reset initializes all PCS functions. The PCS Reset function shall be executed whenever any of the following conditions occur:

- a) Power on causes power_on = TRUE (see 36.2.5.1.3) while pcs_reset = FALSE.
- b) The receipt of a request for reset from the management entity (bit 3.2291.15 defined in 45.2.3.68c.1), independently from the current state of pcs_reset.

All state diagrams take the open-ended pcs_reset branch upon execution of PCS Reset. PCS Reset shall keep pcs_reset = TRUE until the complete execution of the PCS Reset function, after which it is set to pcs_reset = FALSE. The reference diagrams do not explicitly show the PCS Reset function.

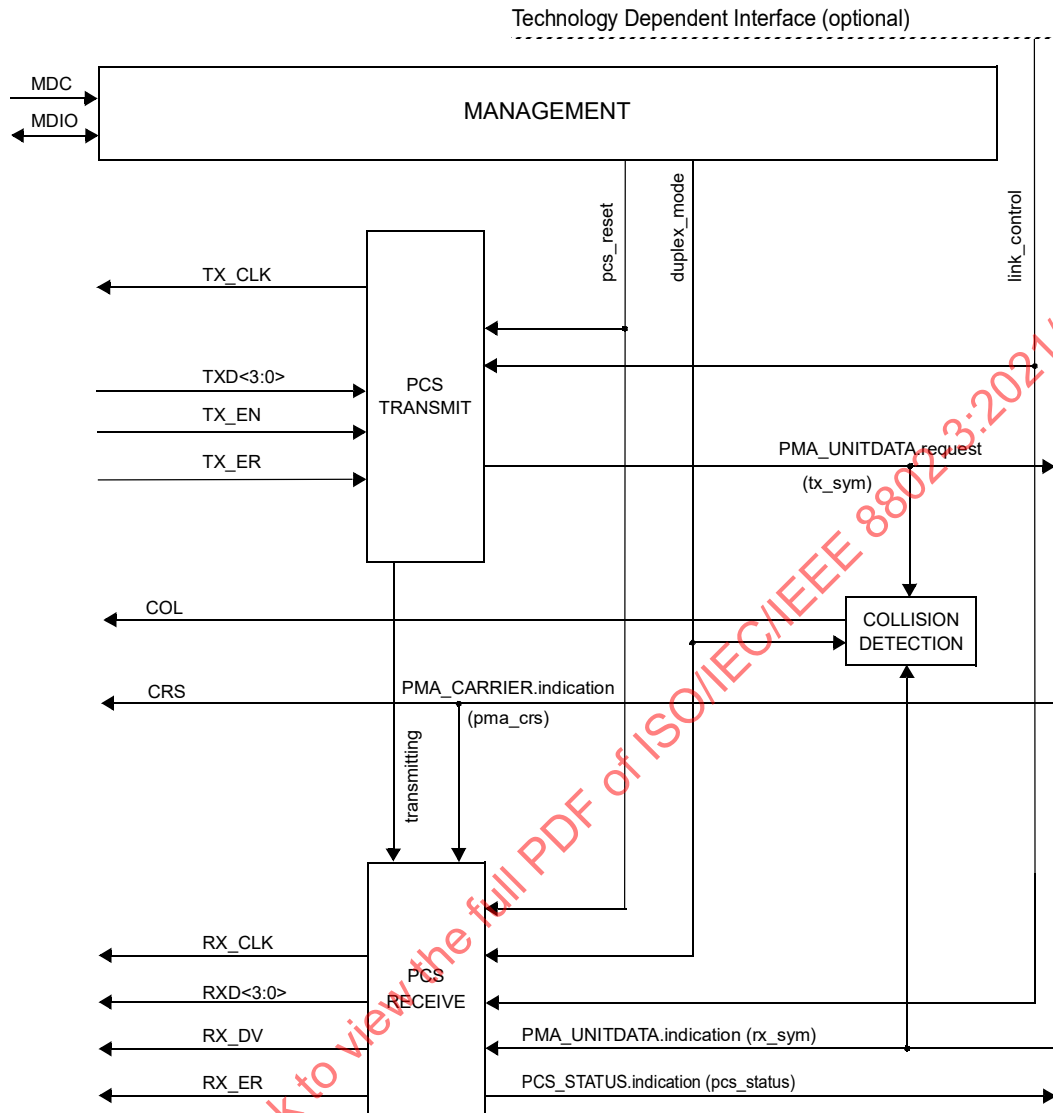


Figure 147-3—PCS reference diagram

147.3.2 PCS Transmit

147.3.2.1 PCS Transmit overview

The PCS Transmit function shall conform to the PCS Transmit state diagram in Figure 147-4 and Figure 147-5, and the associated state variables, functions, timers, and messages.

At each symbol period, PCS Transmit generates a symbol tx_sym conveyed to the PMA through the PMA_UNITDATA.request service primitive, where tx_sym is a 5B symbol. The PMA encodes tx_sym, LSB first, into a DME stream over the wire pair BI_DA as specified in Table 147-2.

Upon assertion of TX_EN, the PCS Transmit function passes two SYNC symbols to the PMA, followed by two SSD symbols that replace the first 16 bits of the packet preamble. Following the second SSD, TXD<3:0> is encoded into 5B symbols using the encoding rules specified in Table 147–1, until TX_EN is deasserted.

Following the deassertion of TX_EN, the PCS Transmit generates a special code ESD. When there is no transmit error, ESD is followed by ESDOK. When there is a transmit error, ESD is followed by ESDERR. When a jabber condition is detected, ESD is followed by ESDJAB.

The 10BASE-T1S PHY has one special 5B symbol 'I' (see Table 147–1) which represents SILENCE. SILENCE represents an indication for the PMA to change the output according to 147.4.2.

147.3.2.2 Variables

err	This variable is set in the PCS Transmit state, as described in Figure 147–4 and Figure 147–5. This variable is used to detect and latch a TX_ER = TRUE condition during data transmission; if such error is detected, an ESDERR symbol is sent at the end of transmission. Values: TRUE or FALSE
hb_cmd	See 147.3.7.1.1.
link_control	This variable is generated by the Auto-Negotiation function. When Auto-Negotiation is not present or Auto-Negotiation is disabled, link_control has a default value of ENABLE, and may be provided by implementation-dependent functionality. When set to DISABLE, all PCS functions are switched off and no data can be sent or received. Values: ENABLE or DISABLE
pcs_reset	The pcs_reset parameter set by the PCS Reset function. Values: TRUE or FALSE
TX_EN	The TX_EN signal of the MII as specified in 22.2.2.3. When set to FALSE transmission is disabled. When set to TRUE transmission is enabled. Values: TRUE or FALSE
TX_ER	The TX_ER signal of the MII as specified in 22.2.2.5. When set to FALSE it indicates a non-errored transmission. When set to TRUE it indicates an errored transmission. Values: TRUE or FALSE
TXD	The TXD signal of the MII as specified in 22.2.2.4. This signal represents a 4B data nibble to be transmitted.

tx_cmd	Encoding present on TXD<3:0>, TX_ER, and TX_EN as defined in Table 22–1. Values: BEACON: PLCA BEACON indication encoding present on TXD<3:0>, TX_ER, and TX_EN. COMMIT: PLCA COMMIT indication encoding present on TXD<3:0>, TX_ER, and TX_EN. SILENCE: TXD<3:0> does not encode any of the above requests, or TX_ER = FALSE, or TX_EN = TRUE.
tx_sym	5B symbol to be conveyed to the PMA Transmit function by the means of the PMA_UNITDATA.request primitive specified in 147.2.2.
transmitting	This variable is set in the PCS Transmit state, as described in Figure 147–4. When this variable is set to TRUE, it indicates a transmission is ongoing. Values: TRUE or FALSE

147.3.2.3 Constants

SYNC / COMMIT	5B symbol defined as 'J' in 4B/5B encoding.
SSD	5B symbol defined as 'H' in 4B/5B encoding.
ESD	5B symbol defined as 'T' in 4B/5B encoding.
ESDERR	5B symbol defined as 'K' in 4B/5B encoding.
ESDOK / ESDBRS	5B symbol defined as 'R' in 4B/5B encoding.
SILENCE	5B symbol defined as 'I' in 4B/5B encoding.
ESDJAB	5B symbol defined as 'S' in 4B/5B encoding.

147.3.2.4 Functions

ENCODE

This function takes a 4 bit input parameter $S_{c_n}<3:0>$ and returns a 5B symbol according to the following procedure:

1. Convert $S_{c_n}<3:0>$ into $S_{d_n}<3:0>$ as specified in 147.3.2.8.
2. Convert $S_{d_n}<3:0>$ (4B symbol) into the corresponding 5B symbol defined in Table 147-1.

Table 147-1—4B/5B Encoding

Name	4B	5B	Special function
0	0000	11110	—
1	0001	01001	—
2	0010	10100	—
3	0011	10101	—
4	0100	01010	—
5	0101	01011	—
6	0110	01110	—
7	0111	01111	—
8	1000	10010	—
9	1001	10011	—
A	1010	10110	—
B	1011	10111	—
C	1100	11010	—
D	1101	11011	—
E	1110	11100	—
F	1111	11101	—
I	N/A	11111	SILENCE
J	N/A	11000	SYNC / COMMIT
K	N/A	10001	ESDERR
T	N/A	01101	ESD / HB
R	N/A	00111	ESDOK / ESDBRS
H	N/A	00100	SSD
N	N/A	01000	BEACON
S	N/A	11001	ESDJAB

TXCMD_ENCODE

In the PCS transmit process, this function takes as its arguments the values of tx_cmd and hb_cmd variables and returns a 5B symbol based on the following mapping:
'N' when the tx_cmd variable is set to BEACON,
'J' when the tx_cmd variable is set to COMMIT,
'T' when the hb_cmd variable is set to HEARTBEAT and the tx_cmd variable is not set to BEACON or COMMIT,
'I' otherwise.

147.3.2.5 Abbreviations

STD Alias for symb_timer_done.

147.3.2.6 Timers

symb_timer

A continuous free-running timer. PMA_UNITDATA.request messages are issued by the PCS concurrently with symb_timer_done (see 147.2.2). TX_CLK (see 22.2.2.1) shall be generated from symb_timer with the rising edge of TX_CLK generated synchronously with symb_timer_done.
Continuous timer: The condition symb_timer_done becomes true upon timer expiration.
Restart time: Immediately after expiration.
Duration: 400 ns ± 100 ppm (see 22.2.2.1)

unjab_timer

Optionally times the minimum duration the PHY suppresses any transmission before reverting to normal operations.
Duration: 16 ms ± 100 μs

xmit_max_timer

Defines the maximum time the PCS Transmit state diagram can stay in DATA state. The xmit_max_timer shall be implemented in such a way that, upon expiration, an even number of nibbles has been sent to prevent the MAC from counting false alignment errors.
Duration: 2 ms ± 100 μs
NOTE—This is approximately 25% greater than maxEnvelopeFrameSize specified in 4.2.7.1.

147.3.2.7 State diagram

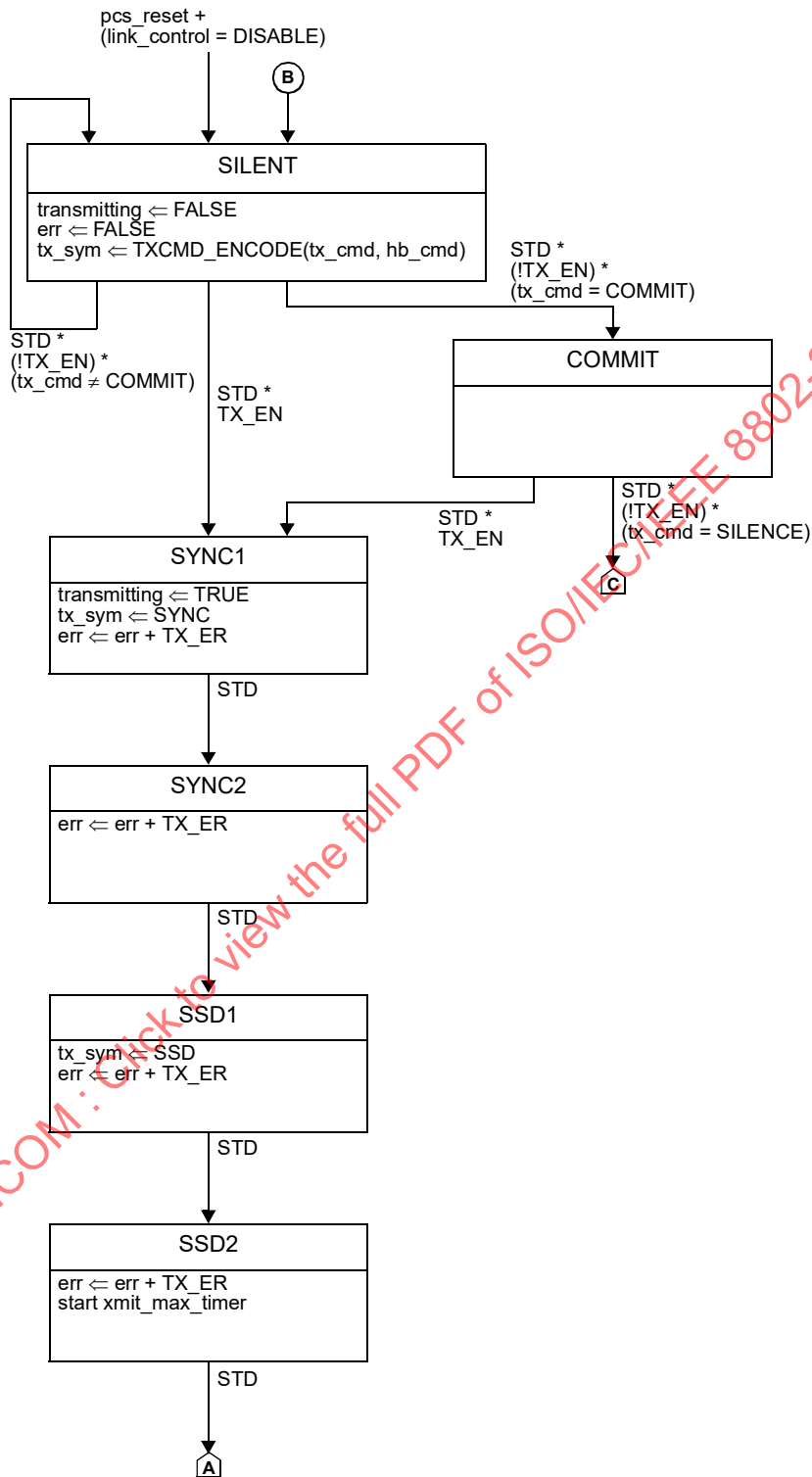


Figure 147-4—PCS Transmit state diagram, part a

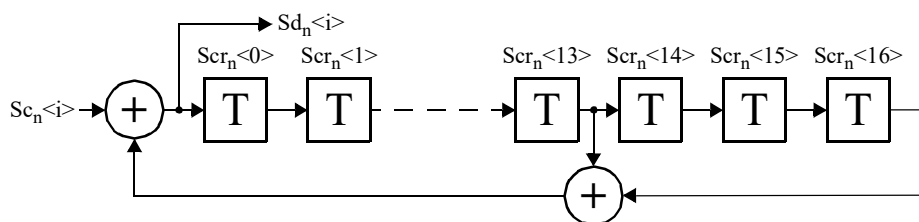


Figure 147-6—Self-synchronizing scrambler

147.3.2.9 Jabber functional requirements

The PCS Transmit function contains the capability to interrupt a transmission that exceeds a time duration determined by `xmit_max_timer`. If the packet being transmitted continues longer than the specified time duration, the PCS Transmit sends an ESD, ESDJAB symbol sequence to notify the receivers, then it inhibits further transmissions for at least the duration of `unjab_timer`. The PCS Transmit may return to normal operation automatically after `unjab_timer` elapsed and the error condition has been cleared, or it may keep silent until reset.

147.3.3 PCS Receive

147.3.3.1 PCS Receive overview

The PCS Receive function shall conform to the PCS Receive state diagram in Figure 147-7 and Figure 147-8, and associated state variables.

The state diagram defined in Figure 147-7 is triggered by the reception of a SYNC symbol from the PMA Receive function and waits for two SSD symbols to start regenerating the packet preamble whose start has been replaced with the SYNC, SYNC, SSD, SSD sequence by the PCS Transmit function as described in Figure 147-4. After the second SSD is received, the PCS Receive function discards the next nine symbols. These symbols can be used to achieve lock of the self-synchronizing descrambler.

During the descrambler locking time, the special value 5 is conveyed to the MII via the RXD variable in order to rebuild the original preamble transmitted by the MAC.

The DATA state, in which 5B symbols are decoded into MII data, is left when ESD or ESDBRS followed by either ESDOK, ESDERR or ESDJAB symbol is encountered, or when the PMA detects SILENCE on the media (e.g., the transmitter prematurely stops data transmission).

During the WAIT_SYNC state, the PCS notifies the RS of a received BEACON indication by the means of the MII as specified in 22.2.2.8. When a sequence of at least two consecutive 'N' symbols is received, the MII signals RX_DV, RX_ER, and RXD<3:0> are set to the BEACON indication as shown in Table 22-2. Additionally, the PCS notifies the RS of a received COMMIT indication by the means of the MII as specified in 22.2.2.8. When a sequence of at least two consecutive SYNC is received, the MII signals RX_DV, RX_ER, and RXD<3:0> are set to the COMMIT indication as shown in Table 22-2.

147.3.3.2 Variables

duplex_mode	This variable indicates whether the PHY is configured for full-duplex operation (DUPLEX_FULL) or half-duplex operation (DUPLEX_HALF). If Multidrop mode MDIO register bit 1.2297.10 is set to one and multidrop mode is supported according to bit 1.2298.10 then duplex_mode is set to DUPLEX_HALF. Else, if Auto-Negotiation is enabled then duplex_mode is set by the priority resolution defined in 98B.4. Otherwise, this variable is set by MDIO register bit 3.2291.8. If MDIO is not implemented, duplex_mode is set by equivalent means. Values: DUPLEX_FULL or DUPLEX_HALF
link_control	See 147.3.2.2.
multidrop	See 147.3.7.1.1.
precnt	Counter for preamble regeneration.
rx_cmd	See 147.3.7.1.1.
RX_DV	The RX_DV signal of the MII as specified in 22.2.2.7.
RX_ER	The RX_ER signal of the MII as specified in 22.2.2.10.
RXD	PCS decoded data synchronous to RX_CLK as specified in 22.2.2.8.
pcs_reset	See 147.3.2.2.
RXn	The rx_sym parameter of the PMA_UNITADATA.indication primitive defined in 147.2.1. The 'n' subscript denotes the rx_sym conveyed in the most recent recv_sym_conv_timer cycle. The 'n-x' subscript indicates the rx_sym conveyed 'x' cycles before the most recent one.
transmitting	See 147.3.2.2.

147.3.3.3 Constants

fc_supported	Indicates whether the optional False Carrier detection is supported. Values: TRUE or FALSE
BEACON	5B symbol defined as 'N' in 4B/5B encoding.
HB	5B symbol defined as 'T' in 4B/5B encoding.

See also 147.3.2.3.

147.3.3.4 Functions

DECODE

This function takes a 5B symbol input parameter and returns a 4 bit value $Dc_n<3:0>$ value according to the following procedure:

1. Convert the 5B input symbol into $Dr_n<3:0>$ by performing a reverse lookup in Table 147–1. If no 4B value is associated to the given 5B symbol, the PCS Receive function shall assert RX_ER for at least one symbol period and $Dr_n<3:0>$ may be set arbitrarily.
2. Convert $Dr_n<3:0>$ to $Dc_n<3:0>$ as specified in 147.3.3.8.

147.3.3.5 Abbreviations

RSCD Alias for `recv_symb_conv_timer_done`.

147.3.3.6 Timers

`recv_symb_conv_timer`

A continuous timer which expires when the `PMA_UNITDATA.indication` message is generated (see 147.2.1).

Continuous timer: The condition `recv_symb_conv_timer_done` becomes true upon timer expiration.

Restart time: Immediately after expiration.

Duration: timed by the `PMA_UNITDATA.indication` message generation.

147.3.3.7 State diagrams

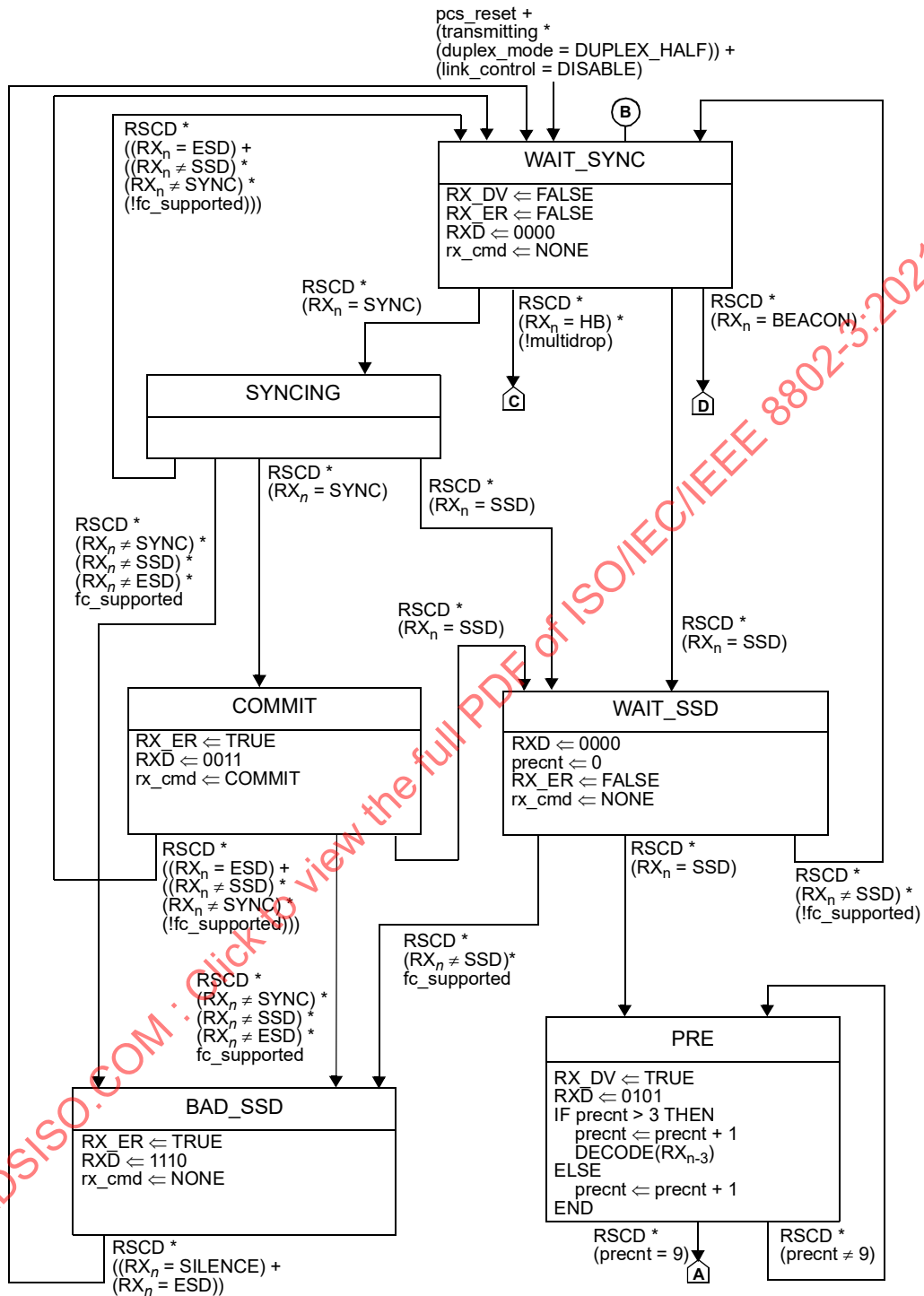


Figure 147-7—PCS Receive state diagram, part a

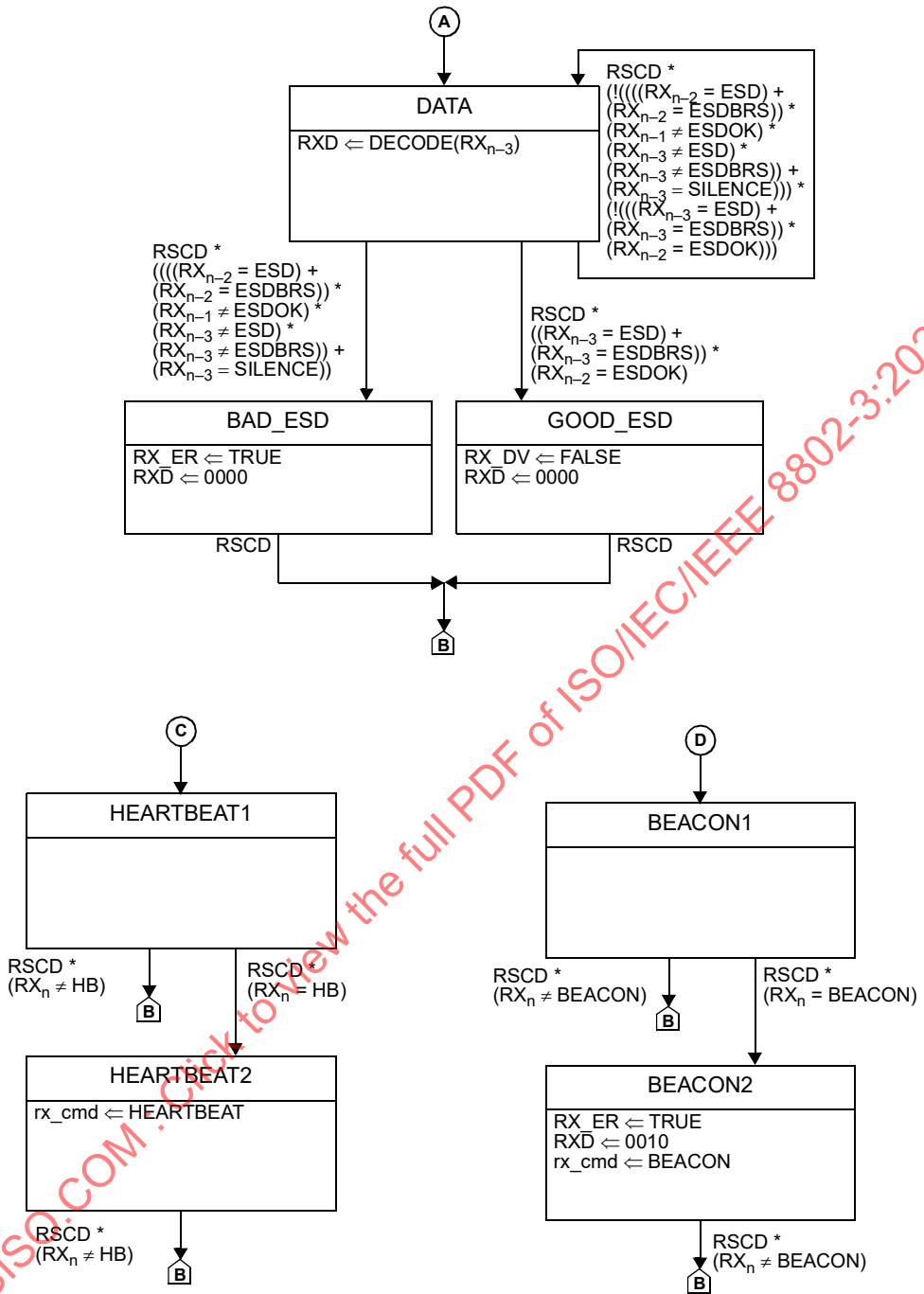


Figure 147-8—PCS Receive state diagram, part b

147.3.3.8 Self-synchronizing descrambler

The PCS Receive function descrambles the 5B/4B decoded data stream and returns the value of RXD<3:0> to the MII. The descrambler shall employ the polynomial $g(x)$ defined in 147.3.2.8. The implementation of the self-synchronizing descrambler by linear-feedback shift register is shown in Figure 147–9. The bits stored in the shift register delay line at time n are denoted by $Dcr_n<16:0>$. The '+' symbol denotes the exclusive-OR logical operation.

When $Dr_n<3:0>$ is presented at the input of the descrambler, $Dc_n<3:0>$ is produced by shifting in each bit of $Dr_n<3:0>$ as $Dr_n<i>$, with i ranging from 0 to 3 (i.e., LSB first). The descrambler is reset upon execution of the PCS Reset function. If PCS Reset is executed, all the bits of the 17-bit vector representing the self-synchronizing descrambler state are arbitrarily set. The initialization of the descrambler state is left to the implementer. At every RSCD, if no data is presented at the descrambler input via $Dr_n<3:0>$, the descrambler may be fed with arbitrary inputs.

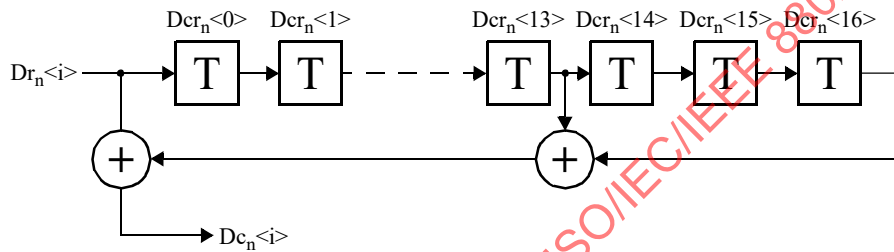


Figure 147–9—Self-synchronizing descrambler

147.3.3.9 Jabber diagnostics

The ESDJAB symbol informs the PCS Receiver that a frame was terminated by the jabber function. The number of received ESDJAB events can be reported to the management entity by the means of MDIO register 3.2293 or similar functionality if MDIO is not implemented.

147.3.4 PCS loopback

The PCS shall be placed in loopback mode when the loopback bit in MDIO register 3.0.14, defined in 45.2.3.1.2, is set to one (or PCS loopback mode is enabled by a similar functionality if MDIO is not implemented). In this mode, the PCS shall accept data on the transmit path from the MII and return it on the receive path to the MII. Additionally, the PHY receive circuitry shall be isolated from the network medium, and the assertion of TX_EN at the MII shall not result in the transmission of data on the network medium.

147.3.5 Collision detection

When operating in half-duplex mode, the 10BASE-T1S PHY shall detect when a transmission initiated locally results in a corrupted signal at the MDI as a collision. When collisions are detected, the PHY shall assert the signal COL on the MII for the duration of the collision or until TX_EN signal is FALSE.

The method for detecting a collision is implementation dependent but the following requirements have to be fulfilled:

- a) The PHY shall assert COL when it is transmitting, and one or more other stations are also transmitting at the same time.
- b) The PHY shall assert CRS in the presence of a signal resulting from a collision between two or more other stations.

147.3.6 Carrier sense

When operating in half-duplex mode, the 10BASE-T1S PHY senses when the media is busy and conveys this information to the MAC by asserting the signal CRS on the MII as specified in 22.2.2.11.

CRS is generated by mapping the PMA_CARRIER.indication (pma_crs) primitive to the MII signal CRS:

- a) CRS shall be asserted when the pma_crs parameter is CARRIER_ON.
- b) CRS shall be deasserted when the pma_crs parameter is CARRIER_OFF.

147.3.7 Support for PCS status generation

If Clause 98 Auto-Negotiation functions are implemented and enabled, the PCS shall conform to the Heartbeat (HB) transmit and receive state diagrams in Figure 147–10, Figure 147–11, and the associated state variables, functions, timers, messages, and constants.

If Clause 98 Auto-Negotiation functions are not implemented or disabled, the PCS_STATUS.indication primitive conveys NOT_OK.

The pcs_status parameter of PCS_STATUS.indication primitive is set to OK after the reception of HB signals or valid data reception (RX_DV) according to the logic described in the HB receive state diagram.

The HB generation is disabled when the PHY is configured for operation over a mixing segment or a BEACON is detected.

147.3.7.1 Heartbeat transmit overview

HB signals are sent unsolicited by the PHY that negotiated the master role during auto-negotiation, while the slave PHY replies back to received HB signals.

A heartbeat is sent only when the PHY is not in the multidrop mode and Auto-Negotiation has completed. The state diagram in Figure 147–10 is held in the INIT state when in the multidrop mode, Auto-Negotiation is not enabled, or Auto-Negotiation signals link_control = DISABLE.

When the PHY is not in multidrop mode and a BEACON request is received from the MII (see Table 22–2) or a BEACON signal is received from the line (see Table 147–1), the state diagram in Figure 147–10 enters the DISABLE_HB state. It remains in the DISABLE_HB state until at least one of the following occurs: PCS Reset is asserted, multidrop mode is enabled, the disable_hb_timer expires, Auto-Negotiation is disabled, or Auto-Negotiation stops reporting that it is complete.

NOTE—Any BEACON received either from the MII or the PMA restarts the disable_hb_timer.

147.3.7.1.1 Variables

pcs_reset	See 147.3.2.2.
mr_autoneg_enable	See 98.5.1.
link_control	See 147.3.2.2.

multidrop	If MDIO is implemented, this variable is set according to bit 1.2297.10. If MDIO is not implemented, multidrop should be set by equivalent means. Values: TRUE or FALSE
master	Result of the role negotiated using method in 98.2.1.2.5 and Table 98-4. Values: TRUE (negotiated role is master) or FALSE (negotiated role is slave)
hb_cmd	Enumerated variable that conveys the command to send an HB message to the PCS transmit function. This command is ignored or interrupted by the PCS transmit function when normal data is being sent or a higher priority request is in effect, as specified in 147.3.2.4. Values: HEARTBEAT or NONE
rx_cmd	PLCA or HEARTBEAT signaling decoded by the PCS.
tx_cmd	See 147.3.2.2.
COL	The MII signal COL. Values: TRUE or FALSE
CRS	The MII signal CRS. Values: TRUE or FALSE
RX_DV	The MII signal RX_DV. Values: TRUE or FALSE

147.3.7.1.2 Timers

disable_hb_timer	Time the heartbeat state diagram dwells in the DISABLE_HB state without receiving or transmitting a BEACON. Duration: 1 s Tolerance: ± 100 ms
hb_send_timer	Times the duration of the HB signal on the line. Duration: 20 bit times Tolerance: ± 0.5 bit times
hb_timer	Period between the transmission of two consecutive HB signals. Duration: 50 ms Tolerance: ± 100 μs

147.3.7.1.3 State diagram

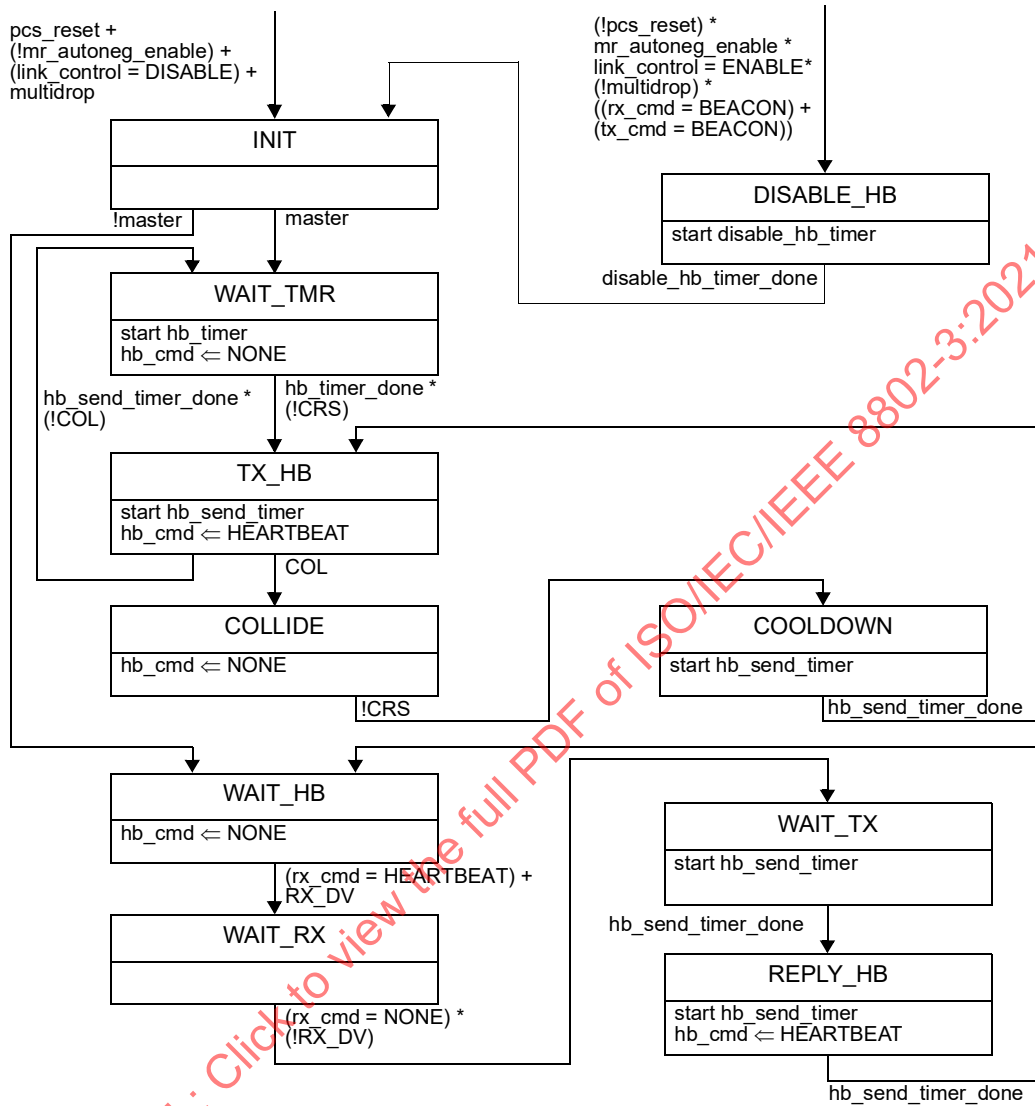


Figure 147–10—Heartbeat transmit state diagram

147.3.7.2 Heartbeat receive overview

The HB receive state diagram in Figure 147–11 generates the pcs_status parameter of the PCS_STATUS.indication primitive based on the reception of valid data packets and HB signals from the remote PHY.

The pcs_status is reported as OK when at least ACTIVE_CNT valid packets or HB messages, separated at max by link_hold_timer ms, are received.

The pcs_status is reported as NOT_OK when PCS is reset or when no valid packets nor HB messages are received within link_hold_timer for INACTIVE_CNT times in a row.

147.3.7.2.1 Variables

pcs_reset	See 147.3.2.2.
pcs_status	Parameter of the PCS_STATUS.indication primitive. Values: OK or NOT_OK
mr_autoneg_enable	See 98.5.1.
link_control	See 147.3.2.2.
multidrop	See 147.3.7.1.1.
rx_cmd	See 147.3.7.1.1.
cnt_l	Count of link_hold timer expiration periods without HBs or receive packet when pcs_status is OK. Values: integer number between 0 and INACTIVE_CNT
cnt_h	Counter of HBs and receive packets when pcs_status is NOT_OK. Values: integer number between 0 and ACTIVE_CNT
COL	The MII signal COL. Values: TRUE or FALSE
CRS	The MII signal CRS. Values: TRUE or FALSE
RX_DV	The MII signal RX_DV. Values: TRUE or FALSE

147.3.7.2.2 Constants

ACTIVE_CNT

Number of combined HBs and receive packets required to signal pcs_status = OK.
 Value: integer number between 0 and 7
 Default value: 2

INACTIVE_CNT

Number of link_hold_timer expirations without HBs or receive packets required to signal pcs_status = NOT_OK.
 Value: integer number between 0 and 7
 Default value: 5

147.3.7.2.3 Timers

link_hold_timer

Timer used to check inactivity.
 Duration: 75 ms
 Tolerance: ± 100 μs

147.3.7.2.4 State diagram

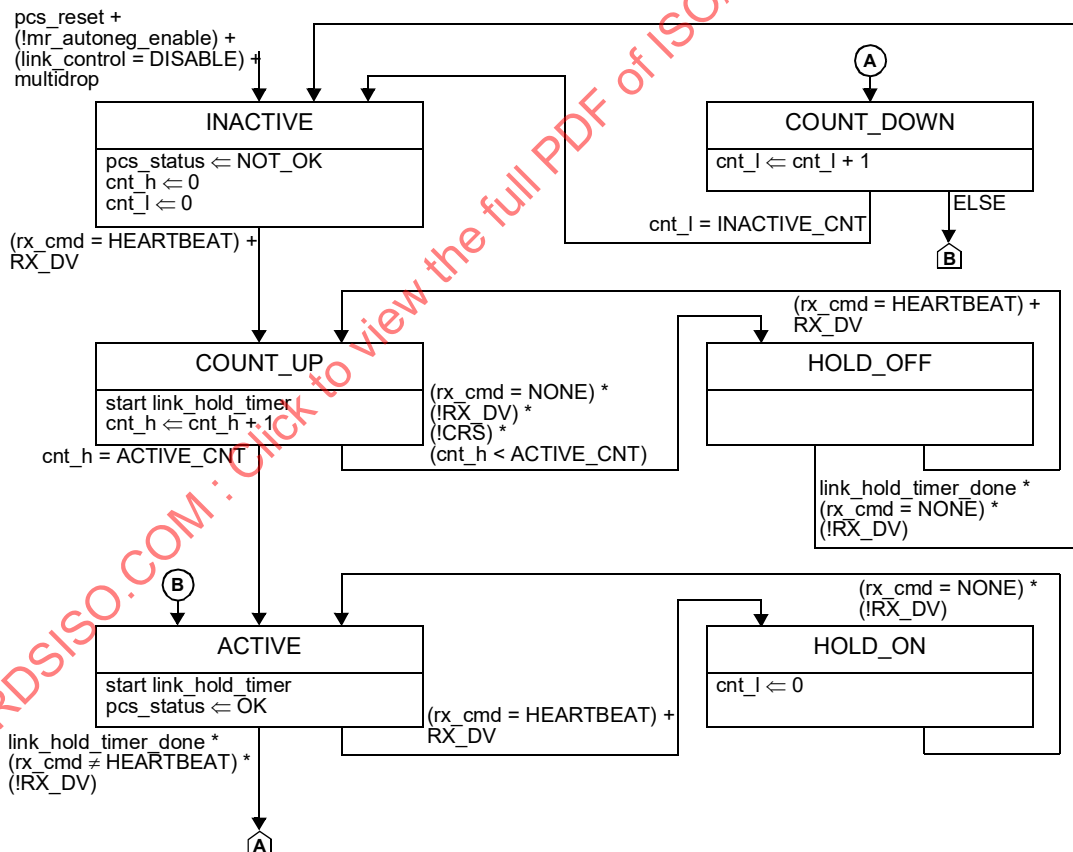


Figure 147–11—Heartbeat receive state diagram

147.4 Physical Medium Attachment (PMA) sublayer

PMA functions are illustrated in Figure 147–12.

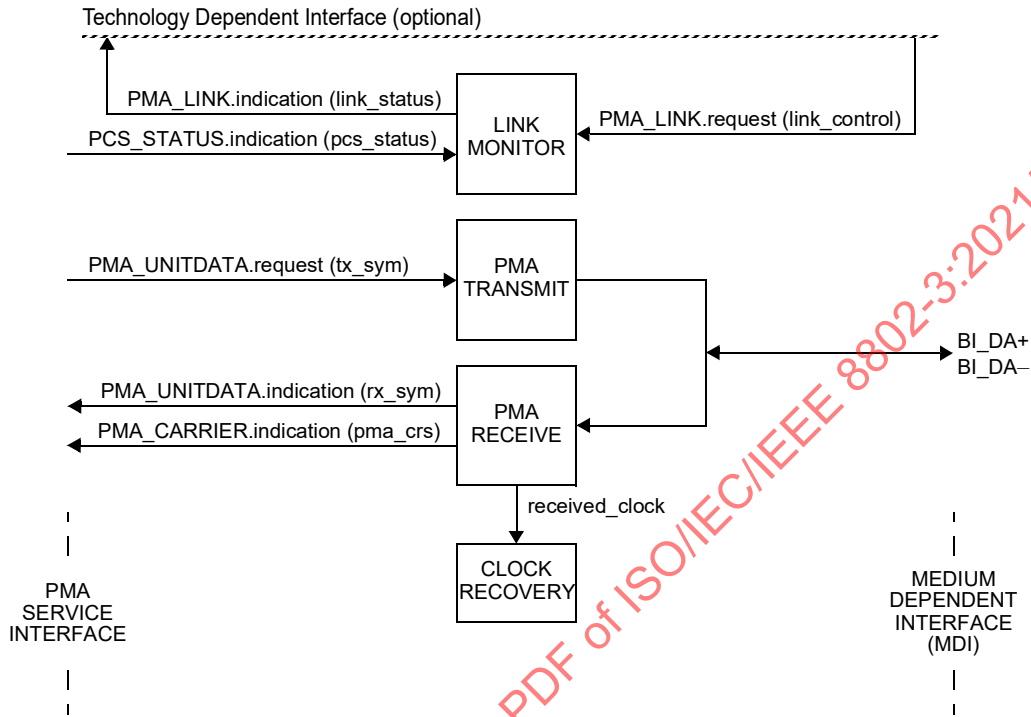


Figure 147–12—PMA functional block diagram

The reference diagrams do not explicitly show the PMA Reset function.

The PMA couples messages from the PMA service interface specified in 147.3.1 onto the 10BASE-T1S physical medium. The PMA provides half duplex communications to and from the medium. Optionally, the PMA may also provide full duplex communications to and from the medium. The interface between PMA and the baseband medium is the Medium Dependent Interface (MDI), which is specified in 147.9.

147.4.1 PMA Reset function

The PMA Reset function shall be executed whenever one of the two following conditions occur:

- Power on (see 36.2.5.1.3).
- The receipt of a request for reset from the management entity.

The PMA Reset function carries out the following tasks:

- PMA Transmit output is set to high-impedance state.
- PMA_UNITDATA.indication is cleared.

147.4.2 PMA Transmit function

During transmission, PMA_UNITDATA.request conveys the tx_sym variable to the PMA. The value of the tx_sym variable is sent over the single balanced pair of conductors, BI_DA.

The tx_sym variable is a 5B symbol, to be encoded LSB first, using DME rules defined below:

If the tx_sym parameter value is the special 5B symbol 'I', the PMA shall, in the following order:

- a) Transmit an additional DME encoded 0 if the previous value of the tx_sym parameter was anything but the 5B symbol 'I'.
- b) When operating in multidrop mode, present the minimum impedance described in 147.9.2 at the MDI. This shall happen within 40 ns after the additional DME encoded 0 has been transmitted.
- c) When operating in point-to-point mode, drive BI_DA+ and BI_DA- to the same voltage with 100 Ω nominal impedance, so that their difference is 0 V.

If tx_sym value is anything other than 'I', the following rules apply:

- A “clock transition” shall always be generated at the start of each bit.
- A “data transition” in the middle of a nominal bit period shall be generated if the bit to be transmitted is a logical '1'. Otherwise, no transition shall be generated until the next bit.

See Figure 147–13 and Table 147–2.

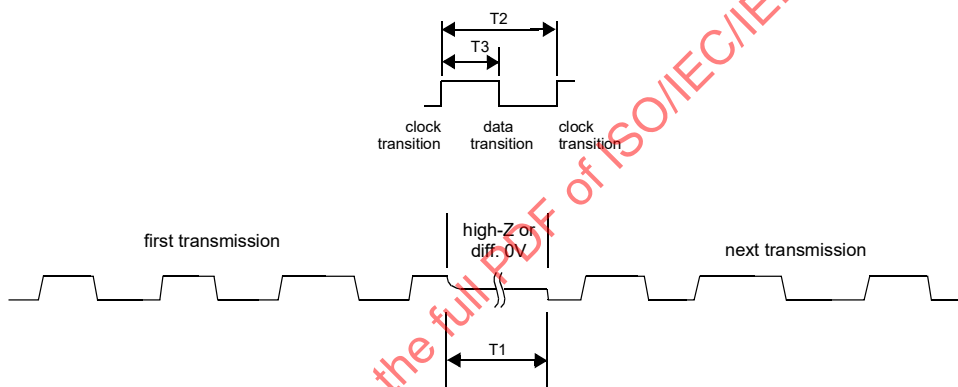


Figure 147–13—DME encoding scheme

Table 147–2—DME timings

Parameter name	Description	Minimum value	Nominal value	Maximum value	Unit of measure
T1	Delay between transmissions	480	—	—	ns
T2	Clock transition to clock transition	–100 ppm	80	+100 ppm	ns
T3	Clock transition to data transition (data = 1)	38	40	42	ns

147.4.3 PMA Receive function

The 10BASE-T1S PMA Receive function comprises a single receiver (PMA Receive) for DME modulated signals on a single balanced pair of conductors, BI_DA. PMA Receive has the ability to translate the received signals on the single balanced pair of conductors into the PMA_UNITDATA.indication parameter rx_sym. It detects 5B symbols from the signals received at the MDI and presents these sequences to the PCS Receive function.

The PMA Receive function recovers encoded clock and data information from the DME encoded stream received at the MDI. The clock recovery provides a synchronous clock for sampling the signal on the pair. While it may not drive the MII directly, the clock recovery function is the underlying source of RX_CLK. In order to meet the specifications of 147.5.5.1, the PMA Receive function must achieve proper synchronization on both the DME stream and the 5B boundary within 800 ns.

The PMA Receive function interprets the signals at the MDI using the inverse mapping described in 147.4.2 for the PMA Transmit function and transfers the 5B code groups by the means of the PMA_UNITDATA.indication. When the PMA Receive function does not detect activity on the line, it shall convey the symbol 'I' (meaning SILENCE).

147.4.4 Link Monitor function

The PMA shall conform to the Link Monitor state diagram in Figure 147–14 and associated variables.

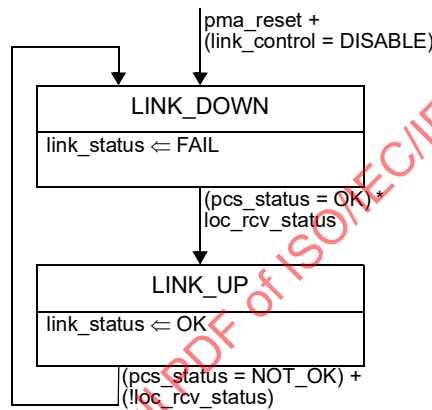


Figure 147–14—Link Monitor state diagram

147.4.4.1 Link Monitor overview

The link monitor function generates the link_status parameter of the PMA_LINK.indication primitive for the Clause 98 Auto-Negotiation function.

The link_status parameter is set after the result of the PCS_STATUS.indication primitive and the implementation defined variable loc_rcv_status.

147.4.4.2 Variables

- pma_reset
 Allows reset of all PMA functions.
 Values: TRUE or FALSE
 Set by: PMA Reset function.
- link_control
 See 147.3.2.2.
- loc_rcv_status
 Implementation defined variable set to TRUE when the PMA is ready to decode valid data from the line, FALSE otherwise.
 Values: TRUE or FALSE